



Type: ASK/OOK Super-Heterodyne Receiver Module

Model: CY64-XXX

Description:

CY64 is an ASK/OOK receiver super-heterodyne module is designed specifically for remote-control and wireless security receiver operating at 315/433.92MHz in ISM frequency band. It has high receiving sensitivity and low price. Any circuit that can be done without additional wireless signal input to the data signal output. Users only need to add simple data decoding circuit and it can easily achieve the development of wireless products.



Order Information:

Model NO.	Frequency
CY64-315	315 MHz
CY64-433	433.92 MHz

Features:

- Receiving Sensitivity: -114dBm
- Frequency: 315M/433.92MHz (customized frequency is available)
- Supply voltage: 2.2V~5.5V
- Low Power consumption, 5.0V@315Mhz, 4.3mA. 5.0V@433.92Mhz, 4.6mA.
- Good selectivity and stray radiation inhibition ability, it's easy to go through the CE/FCC international certification approval.
- Good capable of suppressing the vibration radiation, can work with multiple receiving module (such as one transmitter with multiple receivers) and they do not interfere with each other and there is no affection over the receiving distance.
- Operation temperature: -20°C ~70°C
- Size: 30*7.7*5mm

Application

- Automotive (RKE)
- Garage Door, Barrier, Roller shutter and gate openers
- Smart home system
- Wireless Door Bell
- Remote controls
- Wireless Controller
- Alarm and security system
- Wireless data transmission

Pin Description

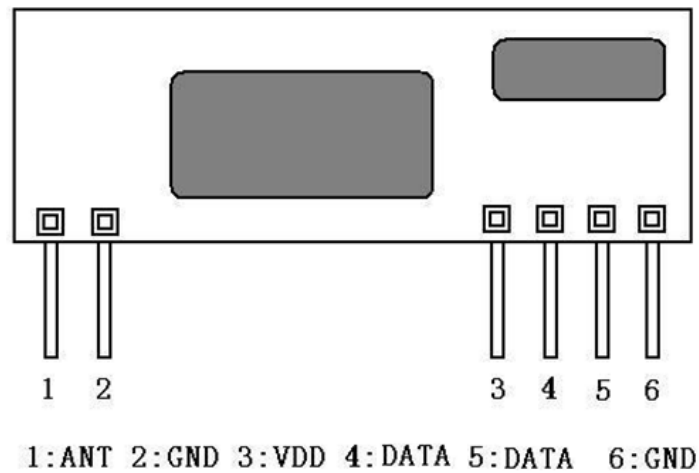


Figure1 CY64 Shape & Pins

Please note: CY64 is come with standard 4 PINs (without pin 1 and pin 2). Please notify us if you would like 6 PINs.

Pin	Name	Pin Definition
1	ANT	RF signal input pin
2	GND	Connect to negative power supply
3	VDD	Connect to positive power supply
4	SHUT	Data output
5	DATA	Data output pin
6	GND	Connect to negative power supply



Note: ANT pin is a 50 ohm antenna input. The length is about:
23cm for 315MHz
17cm for 433.92MHz

Electrical Characteristics:

Condition: Ta=25°C Vcc=5.0V Frequency=315MHz

Parameter	Specification			Unit	Condition
	Min	Typ.	Max		
Frequency range	314.90	315	315.10	MHz	
Modulation	ASK				
Receiver sensitivity		-114		dBm	50Ohm Antenna direct input/1K Kbps
Receiver Bandwidth		200		KHz	
Working Voltage	2.2	5.0	5.5	V	
Working Current	3.5	4.3	5.5	mA	
Working Temperature	-20		70	°C	

Condition: Ta=25°C Vcc=5.0V Frequency=433.92MHz

Parameter	Specification			Unit	Condition
	Min	Typ.	Max		
Frequency range	433.82	433.92	434.02	MHz	
Modulation	ASK				
Receiver sensitivity		-114		dBm	50Ohm Antenna direct input/1K Kbps
Receiver Bandwidth		200		KHz	
Working Voltage	2.2	5.0	5.5	V	
Working Current	3.5	4.6	5.5	mA	
Working Temperature	-20		70	°C	

Mechanical Size: (Unit: MM)

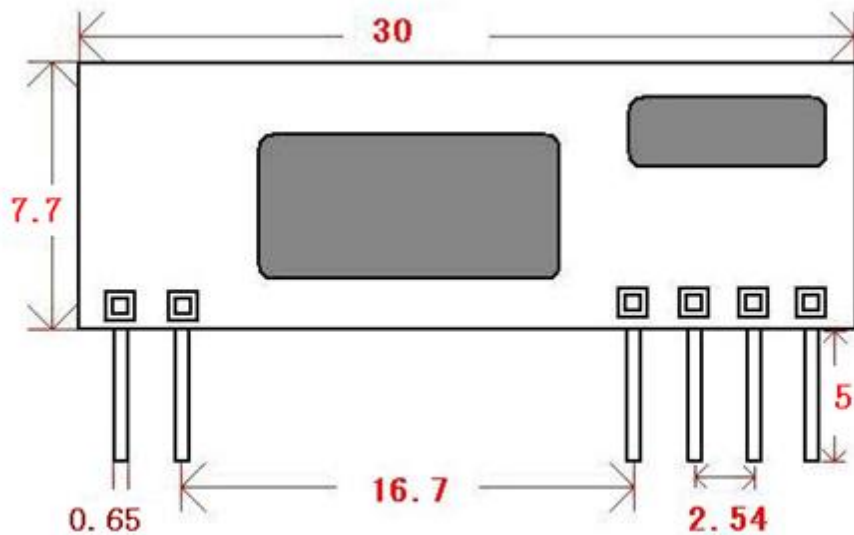


Figure2 CY64 Dimension

PRE-CAUTION:

The driven current of CY64 data output pin is weak, so if direct the single chip microcomputer, please don't add any pull up or pull down resistors on the MCU' I/O port. The MCU internal pull-up and pull down resistors need to be in disabled state too.

PCB dimension has tolerance of 3%.

For more information and assistance, please contact us as follows:



CY WIRELESS TECHNOLOGY LIMITED

Add: Rm 2705, Modern International Building, Jintian Road, Futian District,

Shenzhen, Guangdong Province, China

Website: www.rficy.com

Email: info@rficy.com