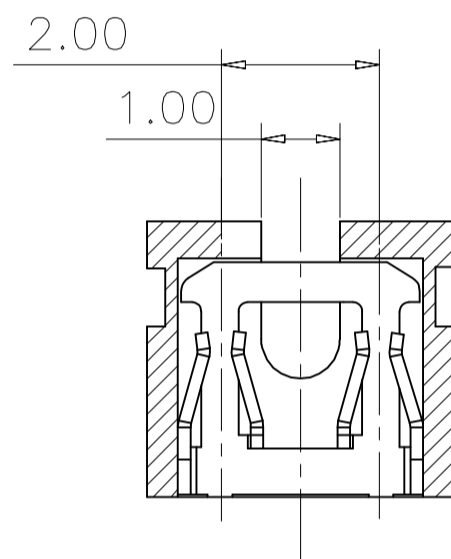
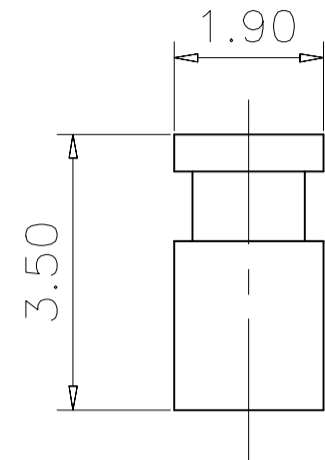
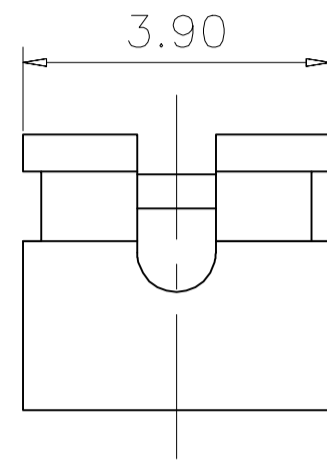
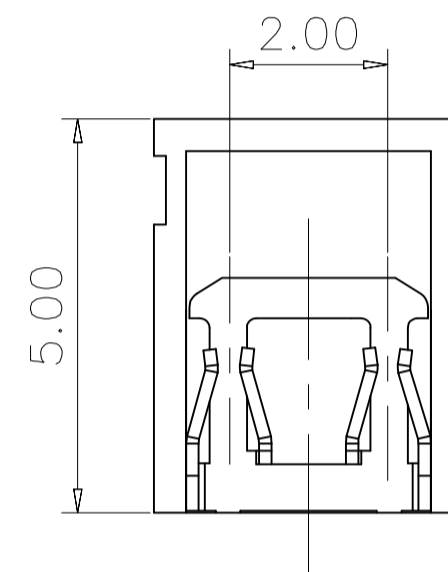
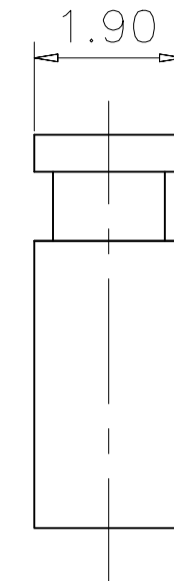
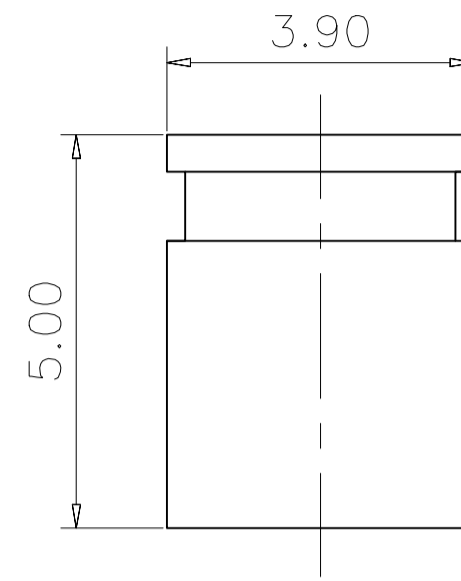


OPEN TYPE



CLOSE TYPE



NOTES:

1. SPECIFICATION:

- 1.1 CONTACT RESISTANCE: 30mΩ MAX.
- 1.2 DIELECTRIC WITHSTANDING VOLTAGE: 250V AC(rms) FOR 1 MINUTE.
- 1.3 INSULATION RESISTANCE: 500MΩ MINI.
- 1.4 OPERATING TEMPERATURE: -40°C~+105°C.

ORDER INFORMATION

Z B 1 0 0 9 - 0 1 - X X X X

SERIES NO

HOUSING TYPE

O: OPEN
C: CLOSE
L: LONG

No. OF CONTACTS

2PIN

HOUSING COLOR

B: BLACK R: RED
Y: YELLOW L: BLUE
W: WHITE G: GREEN

CONTACT PLATING

2: FULL NICKEL
4: GOLD+NICKEL

MINI JUMPER PITCH 2.0mm TYPE

ITEM	NAME OF PART		NO. OF PART	Q'TY	MATERIAL		NOTE	
DWG	SK	DATE	2018-5-25	SIZE	A4	UNITS	1/1	
CHIK		DATE		UNITS	MM	SCALE		
APP		DATE			ZB1009-01-XXP			
 NINGBO ZHONGBO PHOTOVOLTAIC TECHNOLOGY CO.LTD				DWGNO				