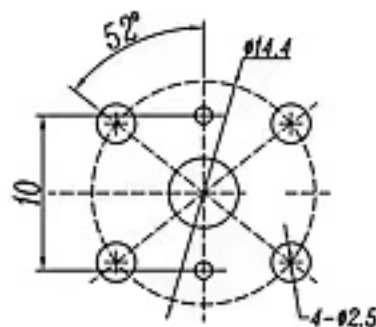
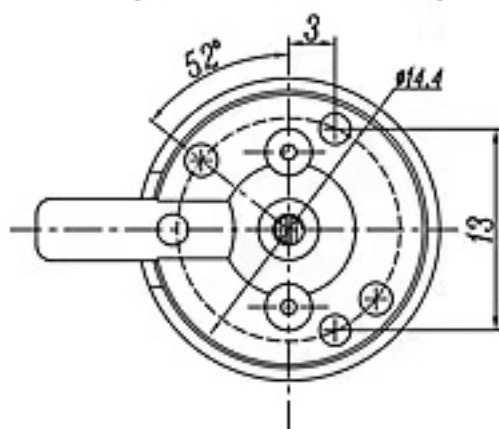


Reference mounting dimension



Note: Select wiring direction correspondingly

Product Name Model Number	Electrical Principle Drawing	Terminal Quantity	Safety Authentication
Air Pressure Switch KBQ-02C		2P	UL

Power Rating: 20mA 250V AC
 Contact Resistance: $\leq 50m\Omega$
 Ambient Temperature: T100
 Electrical: 1E4
 Action Pressure: 1-40kpa (adjust)
 Appliable Pressure: ~-~Pressure
 Error Range, Operating pressure:
 1-10kpa $\pm 0.3kpa$, 10.5-20kpa $\pm 0.5kpa$,
 20.5-30kpa $\pm 1kpa$, 30.5-40kpa $\pm 1.5kpa$.

