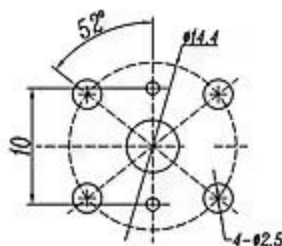
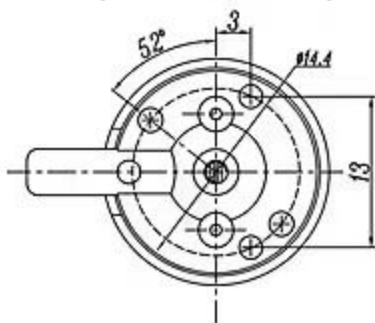


Reference mounting dimension



Note: Select wiring direction correspondingly

Product Name Model Number	Electrical Principle Drawing	Terminal Quantity	Safety Authentication
Air Pressure Switch KBQ-02C		2P	UL
Power Rating: 20mA 250V AC Contact Resistance: $\leq 50m\Omega$ Ambient Temperature: T100 Electrical: 1E4 Action Pressure: 1-40kpa (adjust) Appliab le Pressure: "-" Pressure Error Range, Operating pressure: 1-10kpa ± 0.3 kpa, 10.5-20kpa ± 0.5 kpa, 20.5-30kpa ± 1 kpa, 30.5-40kpa ± 1.5 kpa.			

