

# Ra-09H Specification

Version V1.0.0

Copyright ©2024

## Document Resume

<b>Version</b>	<b>Date</b>	<b>Develop/revise content</b>	<b>Edition</b>	<b>Approve</b>
V1.0.0	2024.01.11	First Edition	Shengzin Zou	Ning Guan

## Content

1. Product Overview .....	4
1.1. Characteristic .....	5
2. Main Parameters .....	6
2.1. Static Electricity Requirements .....	6
2.2. Electrical Characteristics .....	7
2.3. Digital Port Characteristics .....	7
2.4. RF Parameters .....	8
3. Dimension .....	9
4. Pin Definition .....	10
5. Schematic Diagram .....	12
6. Design Guidance .....	13
6.1. Module Application Circuit Guidance .....	13
6.2. Antenna Interface .....	13
6.3. Power Supply .....	14
6.4. Use of GPIO port .....	15
7. FAQ .....	16
7.1. Factors Affecting Transmission Distance .....	16
7.2. Precautions for using the module .....	16
7.3. Factors causing interference to the module .....	16
8. Storage Conditions .....	17
9. Reflow Soldering Curve .....	17
10. Product Packaging Information .....	18
11. Contact Us .....	18
Disclaimer and Copyright Notice .....	19
Notice .....	19
Statement .....	20

# 1. Product Overview

Ra-09H is a LoRa module designed and developed by Shenzhen Ai-Thinker Technology Co., Ltd. This module is used for ultra-long distance spread spectrum communication. Its chip STM32WLE5CCU6 is a general-purpose LPWAN wireless communication SoC that integrates RF transceivers, modems and 32-bit Arm® Cortex®-M4 MCU. The MCU uses an ARM core and operates at a frequency of up to 48MHz. The Ra-09H module supports LoRa modulation and traditional (G)FSK modulation under LPWAN use cases; at the same time, the transmitter also supports BPSK modulation and (G)MSK modulation, and the receiver supports (G)MSK modulation.

The Ra-09H module provides ultra-long range and ultra-low power communication for LPWAN applications and can be widely used in smart meters, supply chain and logistics, home building automation, security systems, remote irrigation systems and other scenarios.

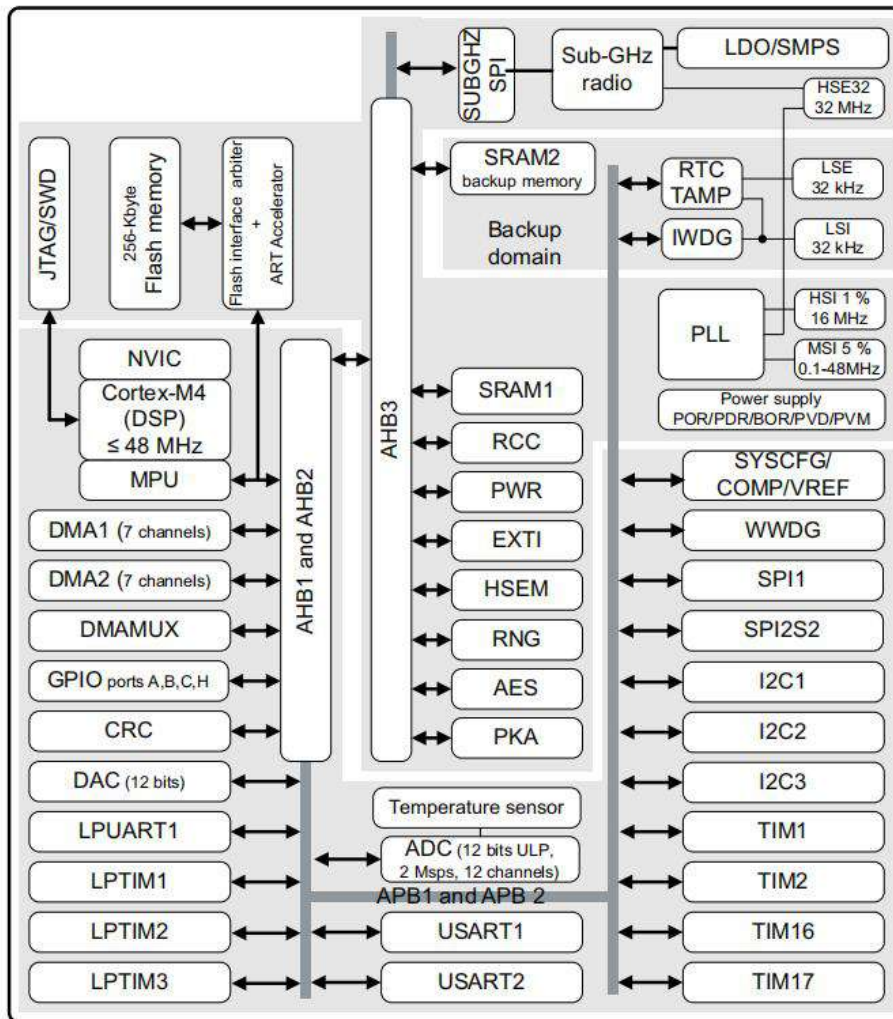


Figure 1 Main chip architecture diagram

## 1.1. Characteristic

- SMD- 48 package
- Supported frequency bands: 803MHz- 930MHz
- Working voltage is 3.3V, theoretical maximum transmit power +22dBm
- High sensitivity: -140dBm @125K H z SF12
- Support spreading factor SF5/SF6/SF7/SF8/SF9/SF10/SF11/SF12
- Embedded memory, 256KB FLASH, 64KB RAM
- Support LoRa/(G)FSK/BPSK/(G)MSK modulation
- The antenna interface is a half-hole pad and IPEX connector, which supports a variety of external antenna connection methods and supports more solution selections.
- Supports multiple sleep modes: deep sleep current 0.1 $\mu$  A

## 2. Main Parameters

**Table 1 Description of Main Parameters**

<b>Module Model</b>	Ra-09H
<b>Package</b>	SMD-48
<b>Size</b>	18.0*18.0* 2.6 (±0.2)mm
<b>Antenna Form</b>	Compatible with half-hole pad/IPEX connector
<b>Frequency Range</b>	803-930 MHz
<b>Operating Temperature</b>	-40℃~85℃
<b>Storage Environment</b>	-40 ℃ ~ 125 ℃ , < 90%RH
<b>Power supply range</b>	Supply voltage 1.8 V ~ 3.6V, supply current >500mA
<b>Support interface</b>	UART/GPIO/ADC/DAC/I2C/I2S/SPI/PWM
<b>IO</b>	24
<b>Serial port speed</b>	Support 110 ~ 4608000 bps, default 9600bps
<b>Crystal frequency</b>	32MHz
<b>Flash</b>	256 KB
<b>Transfer Protocol</b>	LoRaWAN
<b>Transmission distance</b>	Open space with suction cup antenna can reach 4.8km

### 2.1. Static Electricity Requirements

Ra-09H module is an electrostatic sensitive device and requires special precautions when handling.



**Figure 2 ESD preventive measures**

## 2.2. Electrical Characteristics

**Table 2 Electrical Characteristics Table**

Parameter	Name	Min.	Typ.	Max.	Unit	Remark	
Operating	TOPR	-40	25	85	°C		
Supply voltage	VDD	1.8	3.3	3.6	V	≥3.3V guarantees output power	
Power consumption	Sleep mode	Power consumption1	-	0.113	-	μA	Deep Sleep (LDO and SMPS regulator off, MCU regulator off)
		Power consumption 2	-	0.2	-	μA	STANDBY (without RTC)
	Operating mode	-	3.83	-	mA	Power on	
	Full load mode (TX:22dBm)	-	11.9	-	mA	DC-DC mode	
	receive mode (RX:SF9)	-	5.15	-	mA	DC-DC mode	

## 2.3. Digital Port Characteristics

**Table 3 Digital Ports**

Type	Name	Minimum value	Typical value	Maximum value	unit
IO level (VDD)	VIO	1.8	3.3	3.6	V
Input logic level is low	VIL	-	-	VDD*0.3	V
Input logic level is high	VIH	0.7*VDD	-	-	V
Output logic level is low	VOL	-	-	0.4 ( IO  = 8 mA, VDD ≥ 2.7 V)	V
Output logic level is low	VOL	-	-	1.3 ( IO  = 20 mA, VDD ≥ 2.7 V)	V
Output logic level is high	VOH	VDD-0.45	-	-	V

## 2.4. RF Parameters

**Table 4 RF parameters**

<b>Output Power</b>					
<b>PA parameters</b>	<b>Frequency band</b>	<b>Minimum value</b>	<b>Typical value</b>	<b>Maximum value</b>	<b>Unit</b>
Transmit power	870MHz	-	2 0.5	twenty two	dBm
Transmit power	890MHz	-	2 0.5	twenty two	dBm
Transmit power	91 0MHz	-	2 0.5	twenty two	dBm
Transmit power	925MHz	-	2 0.5	twenty two	dBm
<b>Receive Sensitivity Modulation bandwidth 125kHz</b>					
<b>Model</b>		<b>Minimum value</b>	<b>Typical value</b>	<b>Maximum value</b>	<b>Unit</b>
SF7		-	-123	-	dBm
SF8		-	-126	-	dBm
SF9		-	-128	-	dBm
SF10		-	-131	-	dBm
SF11		-	-135	-	dBm
SF12		-	-1 40	-	dBm



### 3. Dimension

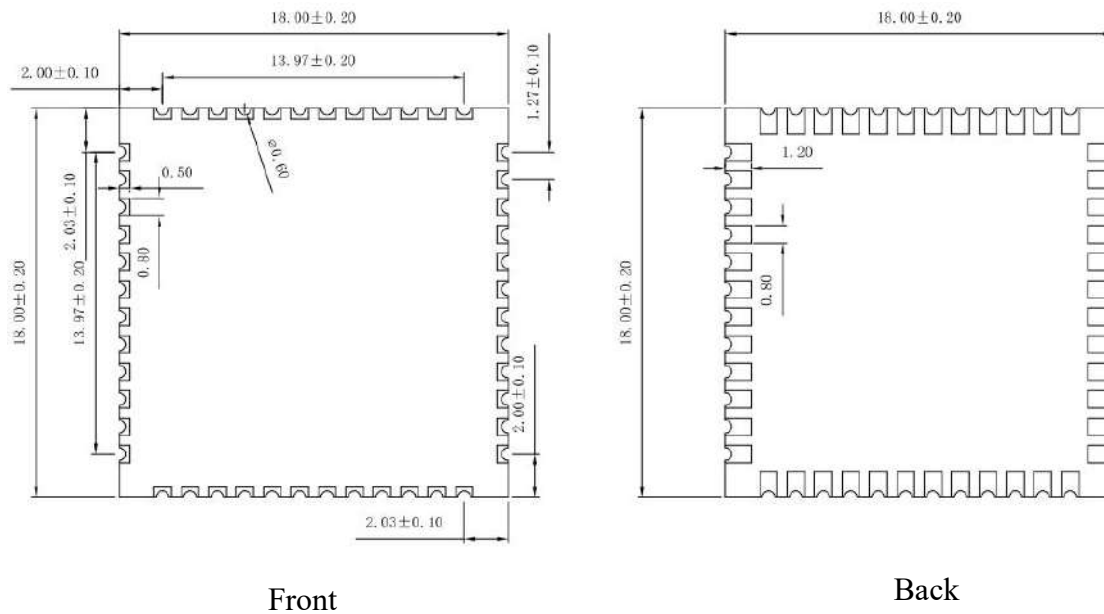


Front



Back

**Figure 3 Appearance of the module (rendering is for reference only, the actual object shall prevail)**



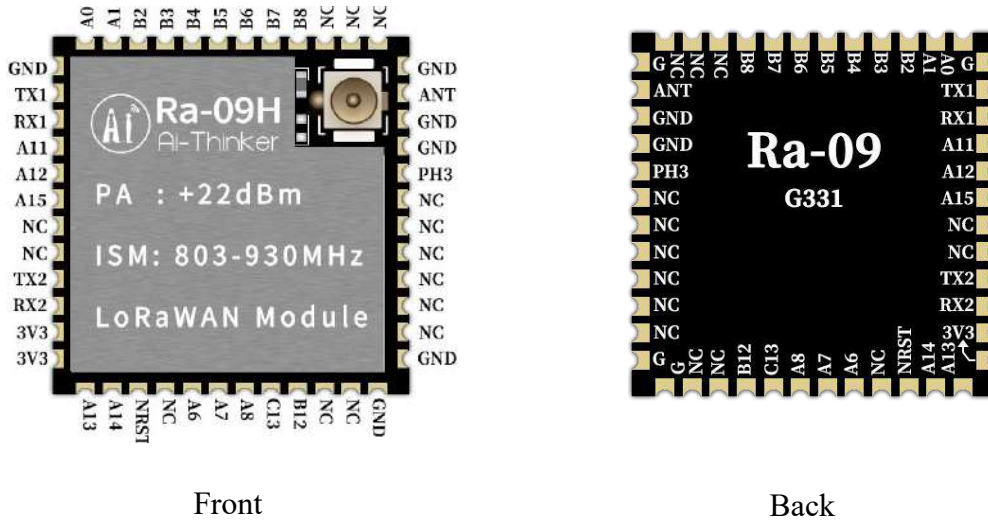
Front

Back

**Figure 4 Module size diagram**

## 4. Pin Definition

The Ra-09H module has a total of 48 pins, as shown in the pin diagram and the pin function definition table is the interface definition.



**Figure 5 Module pin diagram**

**Table 5 Module startup mode description**

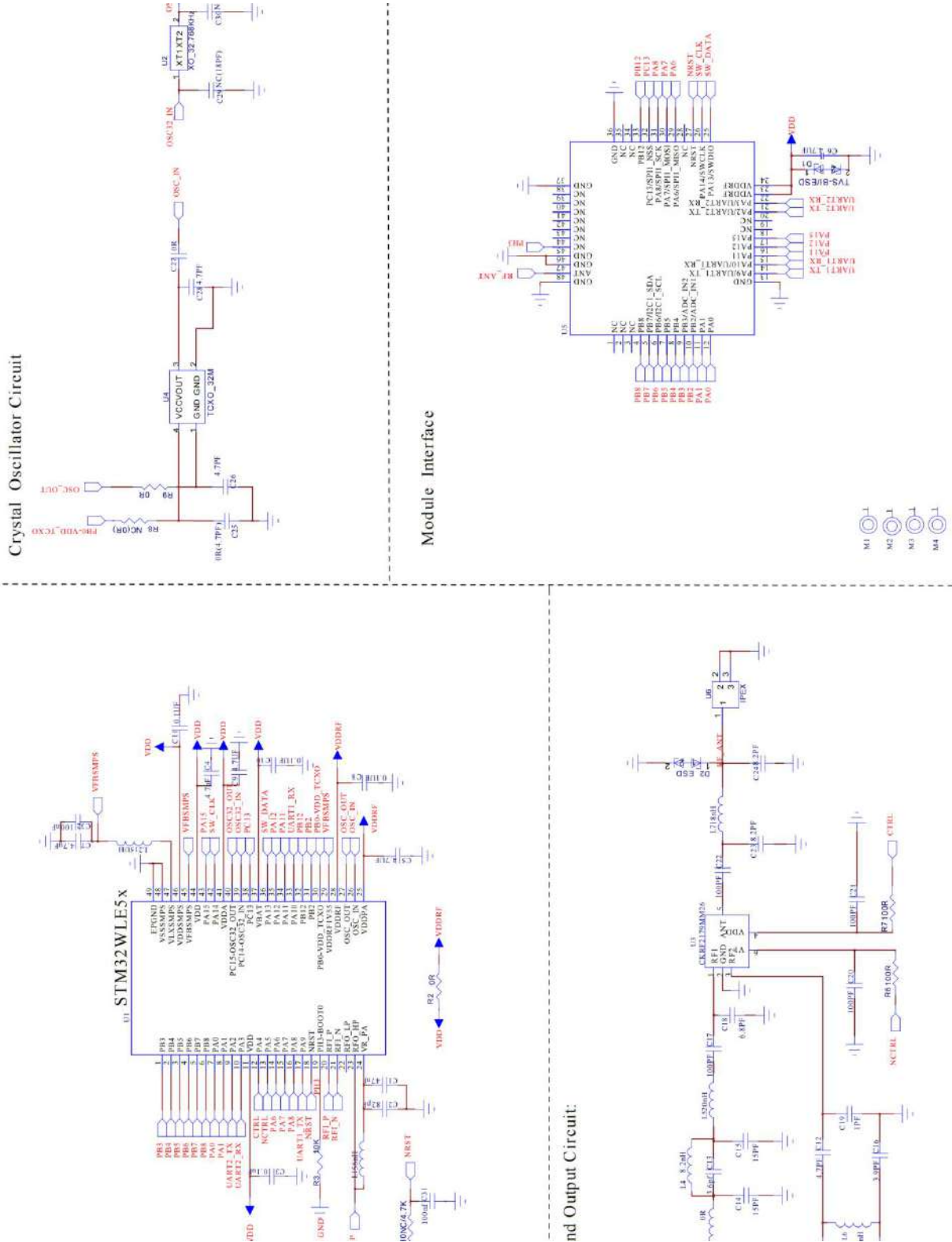
System startup mode			
Pin	Default	SPI boot mode	Download boot mode
PH3	drop down	0	1

Note: Some pins have been pulled up internally, please refer to the schematic .

**Table 6 Pin function definition table**

Pin	Name	Function Description
1, 2, 3, 19, 20, 28, 34, 35, 38-43	NC	Not connected
4	PB8	PB8/I2C1_SCL/PWM
5	PB7	PB7/I2C1_SDA
6	PB6	PB6/I2C1_SCL
7	PB5	PB5/SPI1_MOSI
8	PB4	PB4/SPI1_MISO/ADC_IN3
9	PB3	PB3/ADC_IN2/SPI1_SCK
10	PB2	PB2/SPI1_NSS/ADC_IN4
11	PA1	PA1/SPI1_SCK
12	PA0	PA0
13, 36-37, 45-46, 48	GND	Ground
14	TX1	PA9/UART1_TX/I2C1_SCL/SPI2_SCK/I2S2_CK
15	RX1	PA10/UART1_RX/DAC_OUT1/ADC_IN6/I2C1_SDA
16	PA11	PA11/I2C2_SDA/SPI1_MISO/PWM/ADC_IN7
17	PA12	PA12/I2C2_SCL/SPI1_MOSI/ADC_IN8
18	PA15	PA15/I2C2_SDA/SPI1_NSS/ADC_IN11
21	TX2	PA2/UART2_TX
22	RX2	PA3/UART2_RX/I2S2_MCK
23-24	3V3	3.3V power supply, recommended power supply current
25	PA13	PA13/ADC_IN9
26	PA14	PA14/ADC_IN10
27	NRST	NRST external reset, active low
29	PA6	PA6/SPI1_MISO
30	PA7	PA7/I2C3_SCL/SPI1_MOSI/PWM
31	PA8	PA8/SPI2_SCK/I2S2_CK
32	PC13	PC13
33	PB12	PB12/SPI2_NSS/I2S2_WS
44	PH3	PH3/BOOT0
47	ANT	Antenna interface

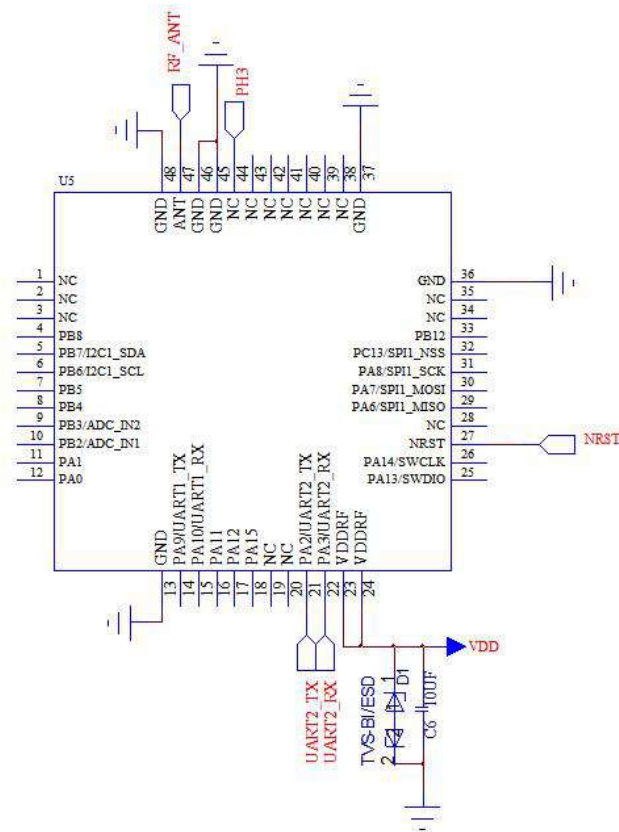
## 5. Schematic Diagram



**Figure 6 Module schematic diagram**

## 6. Design Guidance

### 6.1. Module Application Circuit Guidance



(It is recommended to use DC-DC or LDO for independent power supply, with a current greater than 500mA)

**Figure 7 Application circuit diagram**

Notice:

- PH3 is the startup control pin. It is in the normal working mode when the level is low, and it is in the firmware burning mode when the level is high. The chip internal default is low level.

### 6.2. Antenna Interface

- The Ra-09H module requires an external antenna. The antenna has two wiring methods, which are compatible with half-hole pads and IPEX sockets. The module has a standard IPEX socket interface. The dimensions of the IPEX seat are as follows:

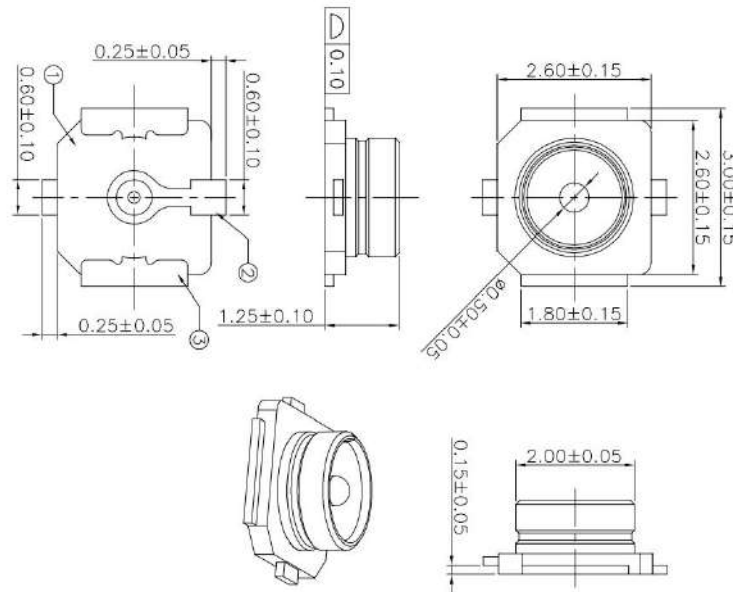


Figure 8 Dimensional drawing of the IPEX seat at the board end

### 6.3. Power Supply

- Recommended voltage is 3.3V, peak current is above 500mA.
- It is recommended to use LDO for power supply; if DC-DC is used, it is recommended that the ripple be controlled within 30mV.
- It is recommended to reserve the position of dynamic response capacitor in DC-DC power supply circuit, which can optimize the output ripple when the load changes greatly.
- It is recommended to add ESD devices to the 3.3V power interface.

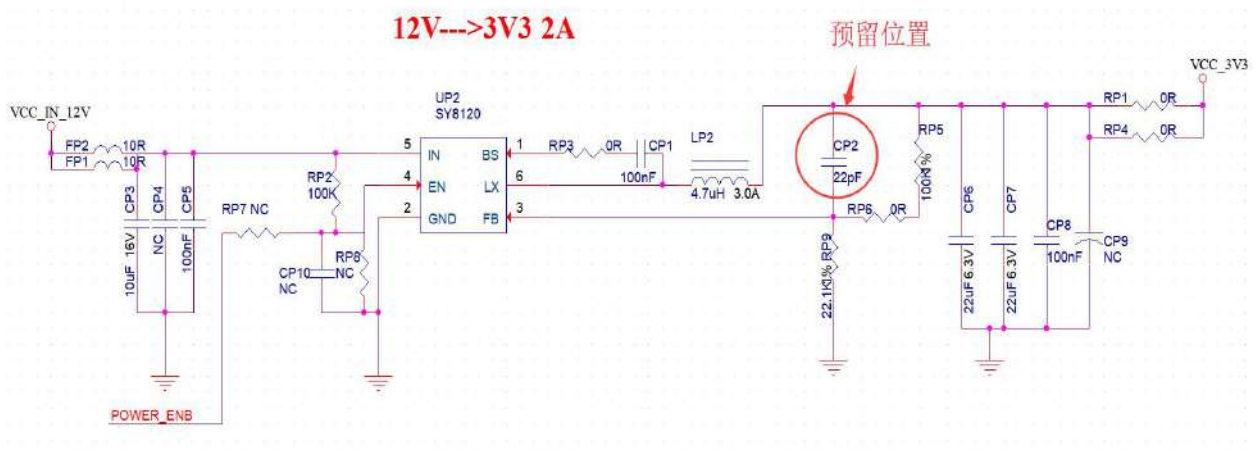


Figure 9 DC-DC step-down circuit diagram

## 6.4. Use of GPIO port

- There are some IO ports on the periphery of the module. If you need to use it, it is recommended to connect a 10-100 ohm resistor in series to the IO port. This can suppress overshoot and make the levels on both sides more stable. Helps with both EMI and ESD.
- For the up and down pull-down of the special IO port, please refer to the instructions in the specification sheet, which will affect the startup configuration of the module.
- The IO port of the module is 3.3V. If the level of the main control and the IO port of the module do not match, a level conversion circuit needs to be added.
- If the IO port is directly connected to a peripheral interface or a terminal such as a pin header, it is recommended to reserve ESD devices near the terminals in the IO port wiring.

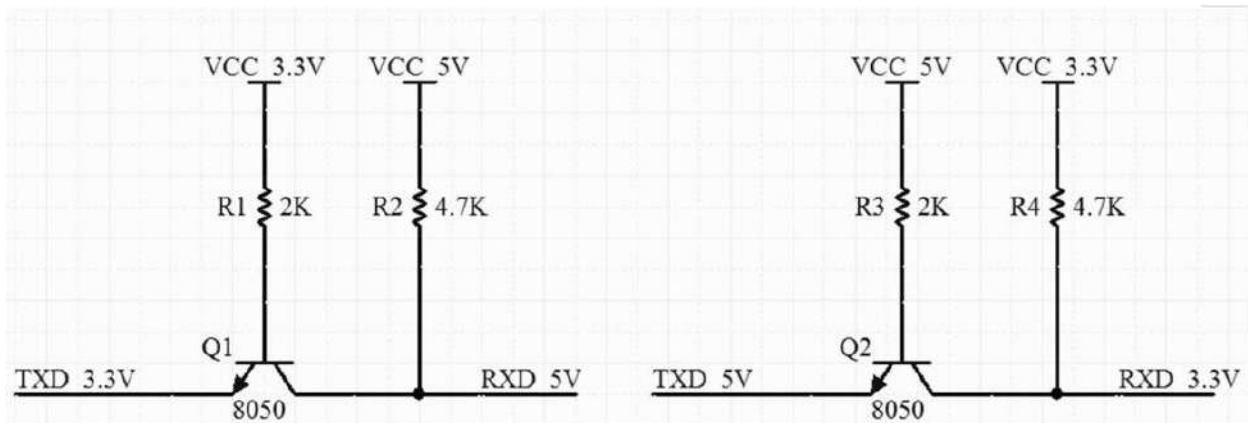


Figure 10 Level conversion circuit

## 7. FAQ

### 7.1. Factors Affecting Transmission Distance

- (1) When there are straight-line communication obstacles, the communication distance will be correspondingly attenuated;
- (2) Temperature, humidity, and co-channel interference will cause the communication packet loss rate to increase;
- (3) The ground absorbs and reflects radio waves, and the test effect is poor when close to the ground;
- (4) Seawater has a strong ability to absorb radio waves, so the seaside test results are poor;
- (5) If there are metal objects near the antenna, or if it is placed in a metal case, the signal attenuation will be very serious;
- (6) The power register setting is wrong and the air rate is set too high . The higher the air rate, the closer the distance;
- (7) The low voltage of the power supply at room temperature is lower than the recommended value. The lower the voltage, the smaller the transmit power;
- (8) There is a poor match between the antenna and the module or there is a quality problem with the antenna itself .

### 7.2. Precautions for using the module

- (1) Check the power supply to ensure that it is within the recommended power supply voltage. If it exceeds the maximum value, it will cause permanent damage to the module;
- (2) Check the stability of the power supply. The voltage cannot fluctuate greatly and frequently;
- (3) Ensure anti-static operation during installation and use, and high-frequency devices are electrostatically sensitive;
- (4) Ensure that the humidity during installation and use should not be too high, as some components are humidity-sensitive devices;
- (5) If there are no special needs, it is not recommended to use it at too high or too low temperature .

### 7.3. Factors causing interference to the module

- (1) If there is co-channel signal interference nearby, stay away from the interference source or modify the frequency or channel to avoid interference;
- (2) The clock waveform on SPI is not standard. Check whether there is interference on the SPI line. The SPI bus line should not be too long;
- (3) Unsatisfactory power supply may also cause garbled code, so be sure to ensure the reliability of the power supply;
- (4) Poor quality or too long extension cords and feeders can also cause a high bit error rate .



## 8. Storage Conditions

Products sealed in moisture-proof bags should be stored in a non-condensing atmospheric environment <math>40^{\circ}\text{C}/90\%\text{RH}</math>.

The module's moisture sensitivity level MSL is level 3.

After the vacuum bag is unsealed, it must be used within 168 hours at  $25 \pm 5^{\circ}\text{C}/60\%\text{RH}$ , otherwise it will need to be baked before it can be put online again.

## 9. Reflow Soldering Curve

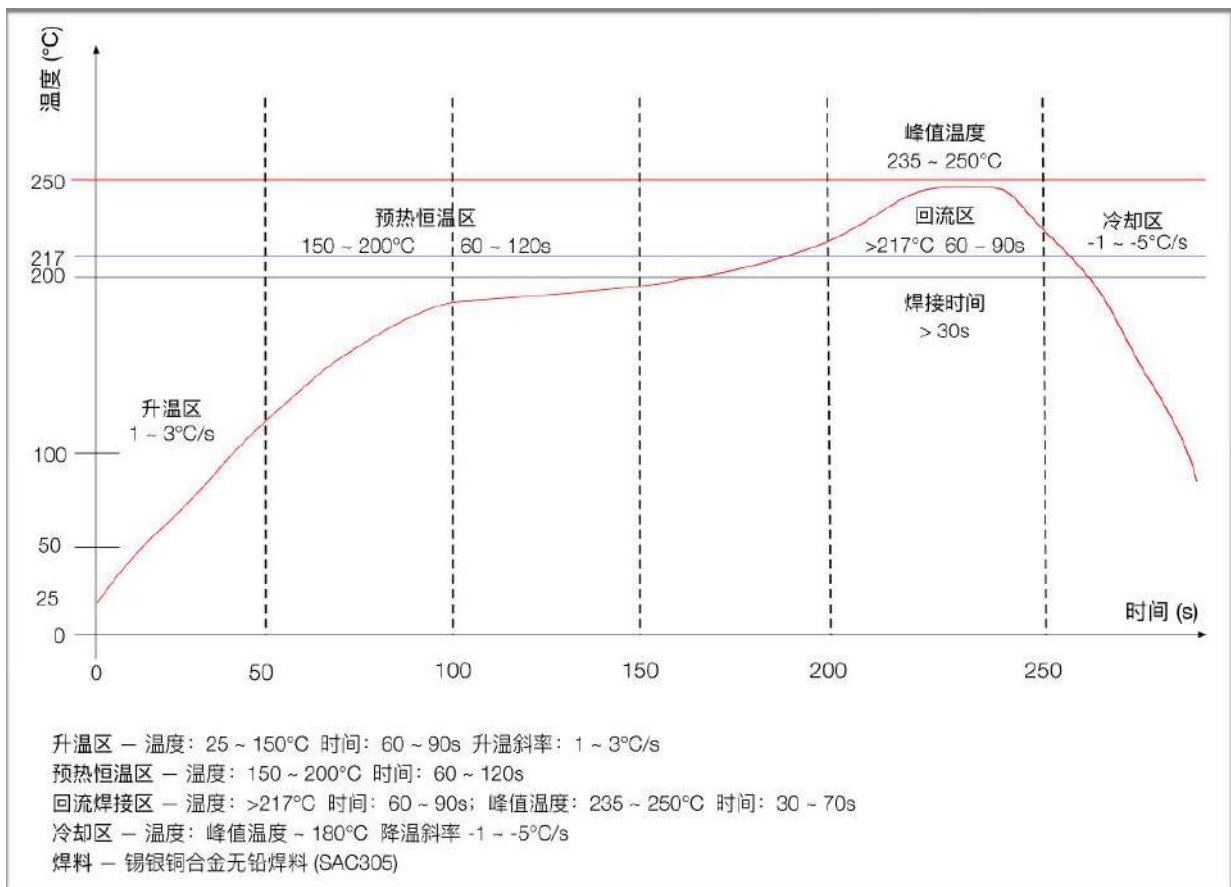


Figure 11 Reflow soldering curve

## 10.Product Packaging Information

Ra-09H module is packed in tape, 900pcs/tray. As shown below:



Figure 12 Packaging and taping diagram

## 11.Contact Us

[Ai-Thinker official website](#)

[Office forum](#)

[Develop DOCS](#)

[LinkedIn](#)

[Tmall shop](#)

[Taobao shop](#)

[Alibaba shop](#)

[Technical support email: support@aithinker.com](mailto:support@aithinker.com)

[Domestic business cooperation: sales@aithinker.com](mailto:sales@aithinker.com)

[Overseas business cooperation: overseas@aithinker.com](mailto:overseas@aithinker.com)

Company Address:Room 403-405,408-410, Block C, Huafeng Smart Innovation Port, Gushu  
2nd

Road, Xixiang, Baoan District, Shenzhen.

Tel: +86-0755-29162996



WeChat mini program



WeChat official account

## Disclaimer and Copyright Notice

The information in this article, including the URL address provided for reference, is subject to change without prior notice.

Documentation is provided "as is" without warranty of any kind, including any warranty of merchantability, fitness for a particular purpose, or non-infringement, and any warranty mentioned elsewhere in any proposal, specification or sample. This document disclaims all liability, including liability for infringement of any patent rights resulting from the use of the information in this document. No license, express or implied, to the use of any intellectual property rights is granted herein by estoppel or otherwise.

The test data obtained in this article are all obtained from Essence laboratory testing, and the actual results may be slightly different.

All trade names, trademarks and registered trademarks mentioned in this article are the property of their respective owners and are hereby acknowledged.

The final right of interpretation belongs to Shenzhen Anxinke Technology Co., Ltd.

## Notice

The contents of this manual may change due to product version upgrades or other reasons.

Shenzhen Anxinke Technology Co., Ltd. reserves the right to modify the contents of this manual without any notice or prompt.

This manual is only used as a guide. Shenzhen Anxinke Technology Co., Ltd. does its best to provide accurate information in this manual. However, Shenzhen Anxinke Technology Co., Ltd. does not ensure that the content of the manual is completely error-free. All statements and information in this manual and recommendations do not constitute any express or implied warranty.

## Statement

Ai-Thinker may provide technical and reliability data (including data sheets), design resources (including reference designs), application or other design recommendations, network tools, safety information and other resources (the "Resources") "as is" without warranties of any kind, express or implied. Including, but not limited to, express or implied warranties of suitability, fitness for a particular use, or non-infringement of any third party's intellectual property rights. And specifically declares that it is not liable for any necessary or incidental losses, including but not limited to, arising from the application or the use of any of our products and circuits.

Ai-Thinker reserves the right to release information in this document (including but not limited to metrics and product descriptions) and any changes to our products without prior notice. This document automatically supersedes and replaces all information provided in previous versions of the same document number file.

These resources are available to skilled developers who design with Ai-Thinker products. You are solely responsible for: (1) Selecting the appropriate Ai-Thinker products for your application; (2) Design, validate, and run your application and product throughout its life cycle; (3) Ensure that your application meets all applicable standards, codes and laws, as well as any other functional security, information security, regulatory or other requirements.

Ai-Thinker may authorize you to use these resources only for the development of applications of Essence Products described in this Resource. Without the permission of Ai-Thinker, any unit or individual shall not extract or copy part or all of these resources, and shall not be transmitted in any form. You are not entitled to use any other Ai-Thinker intellectual property rights or any third party intellectual property rights. You shall indemnify you in full for any claims, damages, costs, losses and liabilities arising against Ai-Thinker or its representatives in connection with the use of these resources, for which Ai-Thinker is not liable.

The products offered by Ai-Thinker are subject to the terms of sale of Ai-Thinker or other applicable terms attached to Essence's products. Essence's availability of these resources does not extend or otherwise change the warranties or warranties disclaimers applicable to product releases.