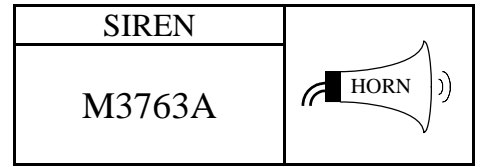


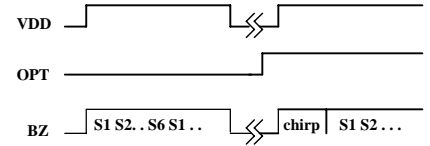
**HORN/SIREN
WITH SOFT CHIRP
6 ALARM SOUNDS**

警报喇叭专用
附唧声
6种警报声 IC



.FEATURES 功能叙述

- Six different sounds.
- MODE: continuous.
- OPT: OPEN = 6 sounds
VDD = 6 sounds with soft chirp
Soft chirp = 200ms
- Suffix: A → 6 Sounds cascade (OTP1 = VSS)
B → 4 Sounds cascade (OTP3 = VDD)
C → 1 Sound (OTP2 = VDD)



APPLICATION 产品应用

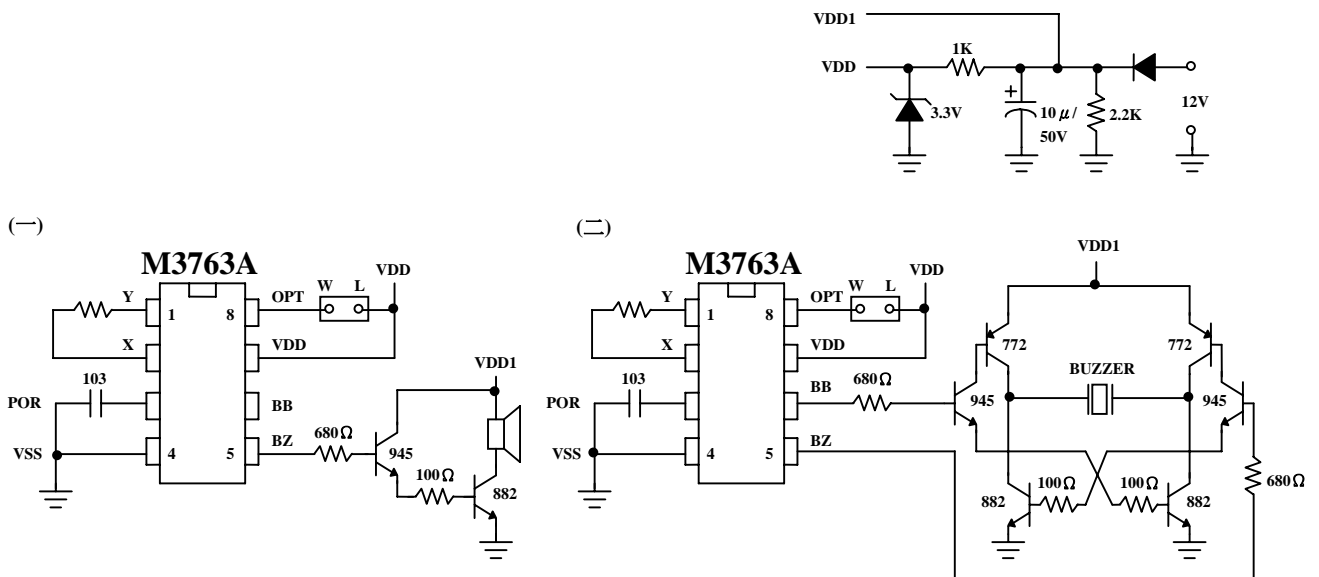
- Alarm system, Horn etc..

ELECTRICAL CHARACTERISTICS 电气规格

(@V_{DD}=3V unless otherwise specified)

Characteristics	Sym.	Min.	Typ.	Max.	Unit	REMARKS
工作电压 Operating Voltage	V _{DD}	—	3	3.5	V	
工作电流 Operating Current	I _{OP}	—	0.1	0.5	mA	No load
推动电流 BZ Driving Current	I _O	1	—	—	mA	@V _{DS} =1V
振荡频率 Oscillator Frequency	F _{OSC}	—	80	128	KHz	External ± 30%, R _{osc} =180K Ω
工作温度 Operating Temperature	Temp.	0	25	60	°C	

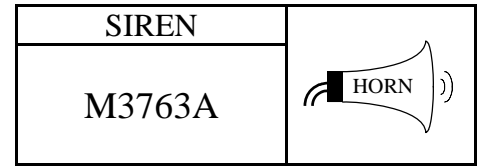
APPLICATION DIAGRAM 参考电路图



* All specs and applications shown above subject to change without prior notice.
(以上电路及规格仅供参考,本公司得径行修正)

HORN/SIREN
WITH SOFT CHIRP
6 ALARM SOUNDS

警报喇叭专用
附唧声
6种警报声 IC

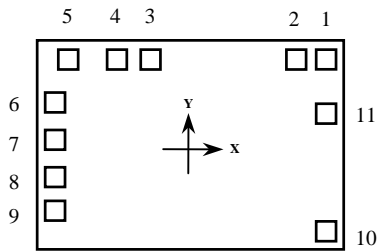


SOUND LIST

NO.	M3763A-1A	NO.	M3763A-1B	NO.	M3763A-1C
1	Standard Siren Sound	1	Standard Siren Sound	1	Standard Siren Sound
2	Code-alarm Sound	2	Code-alarm Sound		
3	Ray Gun Sound	3	Slut-Machine Sound		
4	Slut-Machine Sound	4	Euro-siren Sound		
5	Smoke-alariming Sound				
6	Euro-siren Sound				

NO.	M3763A-5A	NO.	M3763A-5B	NO.	M3763A-5C
1	Euro-siren sound (1)	1	Euro-siren sound (1)	1	Euro-siren sound (1)
2	Alarm Sound (1)	2	Alarm Sound (1)		
3	Euro-siren sound (2)	3	Standard Siren sound		
4	Standard Siren sound	4	Alarm Sound (2)		
5	Horn				
6	Alarm Sound (2)				

PAD ASSIGNMENT & POSITION



UNIT : um

No.	NAME	X	Y
1	INI	686.00	438.75
2	OPT1	500.50	438.75
3	VSS	-219.00	438.75
4	BZ1	-385.00	438.75
5	BZ2	-628.50	438.75
6	OPT3	-686.00	229.25
7	VDD	-686.00	42.25
8	OPT2	-686.00	-148.25
9	SOFT	-686.00	-320.75
10	Y	686.00	-440.00
11	X	686.00	189.25

* CHIP SIZE ~ 1.61 x 1.18 mm²

* IC substrate should be connected to VDD in PCB (PCB 上 IC 必须接 VDD)