



Advanced A/D Flash MCU with LCD & EEPROM

HT67F2350/HT67F2360

HT67F2370/HT67F2390

Revision: V1.90 Date: May 29, 2023

www.holtek.com

Table of Contents

Features	7
CPU Features	7
Peripheral Features.....	7
General Description	8
Selection Table	8
Block Diagram	9
Pin Assignment	9
Pin Descriptions	14
Absolute Maximum Ratings	40
D.C. Characteristics	40
Operating Voltage Characteristics.....	40
Standby Current Characteristics	41
Operating Current Characteristics.....	42
A.C. Characteristics	43
High Speed Internal Oscillator – HIRC – Frequency Accuracy	43
Low Speed Internal Oscillator Characteristics – LIRC	43
Low Speed Crystal Oscillator Characteristics – LXT	43
Operating Frequency Characteristic Curves	44
System Start Up Time Characteristics	44
Input/Output Characteristics	45
Memory Characteristics	46
LVD/LVR Electrical Characteristics	46
A/D Converter Characteristics	47
Comparator Electrical Characteristics	48
LCD Driver Electrical Characteristics	49
I²C Characteristics	49
Power-on Reset Characteristics	50
System Architecture	51
Clocking and Pipelining.....	51
Program Counter.....	52
Stack	53
Arithmetic and Logic Unit – ALU	53
Flash Program Memory	54
Structure.....	54
Special Vectors	54
Look-up Table.....	54
Table Program Example.....	56
In Circuit Programming – ICP	57
On-Chip Debug Support – OCDS	58

In Application Programming – IAP	58
Data Memory	67
Structure.....	67
Data Memory Addressing.....	68
General Purpose Data Memory	68
Special Purpose Data Memory	68
Special Function Register Description.....	72
Indirect Addressing Registers – IAR0, IAR1, IAR2	72
Memory Pointers – MP0, MP1H/MP1L, MP2H/MP2L.....	72
Program Memory Bank Pointer – PBP.....	74
Accumulator – ACC.....	75
Program Counter Low Register – PCL.....	75
Look-up Table Registers – TBLP, TBHP, TBLH.....	75
Status Register – STATUS.....	75
EEPROM Data Memory.....	77
EEPROM Data Memory Structure	77
EEPROM Registers	77
Reading Data from the EEPROM	79
Writing Data to the EEPROM.....	80
Write Protection.....	80
EEPROM Interrupt	80
Programming Considerations.....	81
Oscillators	82
Oscillator Overview	82
System Clock Configurations	82
External Crystal/Ceramic Oscillator – HXT	83
Internal High Speed RC Oscillator – HIRC	84
External 32.768kHz Crystal Oscillator – LXT	84
Internal 32kHz Oscillator – LIRC.....	85
Operating Modes and System Clocks	85
System Clocks	85
System Operation Modes.....	87
Control Registers	88
Operating Mode Switching.....	91
Standby Current Considerations	95
Wake-up	95
Watchdog Timer.....	96
Watchdog Timer Clock Source.....	96
Watchdog Timer Control Register	96
Watchdog Timer Operation	97
Reset and Initialisation.....	98
Reset Functions	98
Reset Initial Conditions	102

Input/Output Ports	110
Pull-high Resistors	112
Port A Wake-up	112
I/O Port Control Registers	113
I/O Port Source Current Control.....	113
Pin-shared Functions	117
I/O Pin Structures.....	130
READ PORT Function.....	131
Programming Considerations.....	132
Timer Modules – TM	133
Introduction	133
TM Operation	133
TM Clock Source.....	133
TM Interrupts.....	134
TM External Pins.....	134
TM Input/Output Pin Selection	135
Programming Considerations.....	136
Standard Type TM – STM	137
Standard TM Operation.....	137
Standard Type TM Register Description	138
Standard Type TM Operation Modes	142
Periodic Type TM – PTM.....	152
Periodic TM Operation	153
Periodic Type TM Register Description	153
Periodic Type TM Operation Modes.....	158
Analog to Digital Converter	167
A/D Overview	167
Registers Descriptions	168
A/D Converter Reference Voltage.....	172
A/D Converter Input Signals.....	173
A/D Operation	174
Conversion Rate and Timing Diagram	175
Summary of A/D Conversion Steps.....	176
Programming Considerations.....	177
A/D Transfer Function	177
A/D Programming Examples.....	178
Serial Interface Module – SIM	180
SPI Interface	180
I ² C Interface	186
Serial Interface – SPIA.....	196
SPIA Interface Operation	196
SPIA Registers	197
SPIA Communication	200
SPIA Bus Enable/Disable.....	202

SPIA Operation	202
Error Detection	203
UART Interface	204
UART External Pin	205
UART Data Transfer Scheme.....	205
UART Status and Control Registers.....	205
Baud Rate Generator	210
UART Setup and Control.....	211
UART Transmitter.....	212
UART Receiver	214
Managing Receiver Errors	215
UART Interrupt Structure.....	216
UART Power Down and Wake-up.....	218
Comparators	219
Comparator Operation	219
Comparator Registers	219
Input Offset Calibration	221
Comparator Interrupt.....	221
Programming Considerations.....	221
LCD Driver	222
LCD Memory	224
LCD Clock Source.....	224
LCD Register.....	225
LCD Voltage Source and Biasing.....	227
LCD Reset Function.....	228
LCD Driver Output.....	229
Programming Considerations.....	238
16-bit Multiplication Division Unit – MDU	239
MDU Registers.....	239
MDU Operation	240
Cyclic Redundancy Check – CRC	242
CRC Registers	242
CRC Operation.....	243
Low Voltage Detector – LVD	245
LVD Register	245
LVD Operation.....	246
Interrupts	247
Interrupt Registers.....	247
Interrupt Operation	257
External Interrupt.....	259
Multi-function Interrupt	259
A/D Converter Interrupt.....	259
TM Interrupt.....	260
LVD Interrupt.....	260

EEPROM Interrupt	260
Serial Interface Module Interrupt.....	260
SPIA Interface Interrupt.....	261
UART Transfer Interrupt.....	261
Comparator Interrupt.....	261
Time Base Interrupt.....	262
Interrupt Wake-up Function.....	264
Programming Considerations.....	264
Application Circuits.....	265
Instruction Set.....	266
Introduction	266
Instruction Timing	266
Moving and Transferring Data.....	266
Arithmetic Operations.....	266
Logical and Rotate Operation	267
Branches and Control Transfer	267
Bit Operations	267
Table Read Operations	267
Other Operations.....	267
Instruction Set Summary	268
Table Conventions.....	268
Extended Instruction Set.....	270
Instruction Definition.....	272
Extended Instruction Definition	281
Package Information	288
48-pin LQFP (7mm×7mm) Outline Dimensions	289
64-pin LQFP (7mm×7mm) Outline Dimensions	290
80-pin LQFP (10mm×10mm) Outline Dimensions	291

Features

CPU Features

- Operating Voltage:
 - ♦ $f_{SYS}=8\text{MHz}$: 2.2V~5.5V
 - ♦ $f_{SYS}=12\text{MHz}$: 2.7V~5.5V
 - ♦ $f_{SYS}=16\text{MHz}$: 3.3V~5.5V
- Up to 0.25 μs instruction cycle with 16MHz system clock at $V_{DD}=5\text{V}$
- Power down and wake-up functions to reduce power consumption
- Oscillator Types:
 - ♦ External High Speed Crystal – HXT
 - ♦ Internal High Speed RC – HIRC
 - ♦ External 32.768kHz Crystal – LXT
 - ♦ Internal 32kHz RC – LIRC
- Fully integrated internal 8/12/16 MHz oscillator requires no external components
- Multi-mode operation: FAST, SLOW, IDLE and SLEEP
- All instructions executed in one to three instruction cycles
- Table read instructions
- 115 powerful instructions
- 16-level subroutine nesting
- Bit manipulation instruction

Peripheral Features

- Program Memory: Up to 64K \times 16
- Data Memory: Up to 4096 \times 8
- True EEPROM Memory: Up to 1024 \times 8
- Watchdog Timer function
- Up to 71 bidirectional I/O lines
- Programmable I/O source current
- LCD Driver function with 1/3 or 1/4 bias
- Four external interrupt lines shared with I/O pins
- Multiple Timer Modules for time measure, input capture, compare match output, PWM output function or single pulse output function
- Serial Interface Module – includes SPI and I²C
- Additional Serial Peripheral Interface – SPIA
- Up to three Fully-duplex Universal Asynchronous Receiver and Transmitter Interfaces – UARTs
- Dual Time-Base functions for generation of fixed time interrupt signals
- Dual comparator functions
- Up to 16 external channel 12-bit resolution A/D converter
- Integrated Multiplier/Divider Unit – MDU
- Integrated 16-bit Cyclic Redundancy Check function – CRC
- Low voltage reset function
- Low voltage detect function
- European standard IEC 60730 and U.S. UL 60730 certified
- Wide range of package types

General Description

This series of devices are LCD type Flash Memory 8-bit high performance RISC architecture microcontrollers which are designed for a wide range of applications. Offering users the convenience of Flash Memory multi-programming features, these devices also include a wide range of functions and features. Other memory includes an area of RAM Data Memory as well as an area of true EEPROM memory for storage of non-volatile data such as serial number, calibration data, etc.

Analog features include a multi-channel 12-bit A/D converter and dual comparator functions. Multiple and extremely flexible Timer Modules provide timing, pulse generation and PWM generation functions. Communication with the outside world is catered for by including fully integrated SPI, UART or I²C interface functions, three popular interfaces which provide designers with a means of easy communication with external peripheral hardware. Protective features such as an internal Watchdog Timer, Low Voltage Reset and Low Voltage Detector coupled with excellent noise immunity and ESD protection ensure that reliable operation is maintained in hostile electrical environments.

A full choice of HXT, LXT, HIRC and LIRC oscillator functions are provided including a fully integrated system oscillator which requires no external components for its implementation. The ability to operate and switch dynamically between a range of operating modes using different clock sources gives users the ability to optimise microcontroller operation and minimise power consumption.

The inclusion of flexible I/O programming features, Time-Base functions along with many other features ensure that the devices will find excellent use in applications such as electronic metering, environmental monitoring, handheld instruments, household appliances, electronically controlled tools, motor driving in addition to many others.

Selection Table

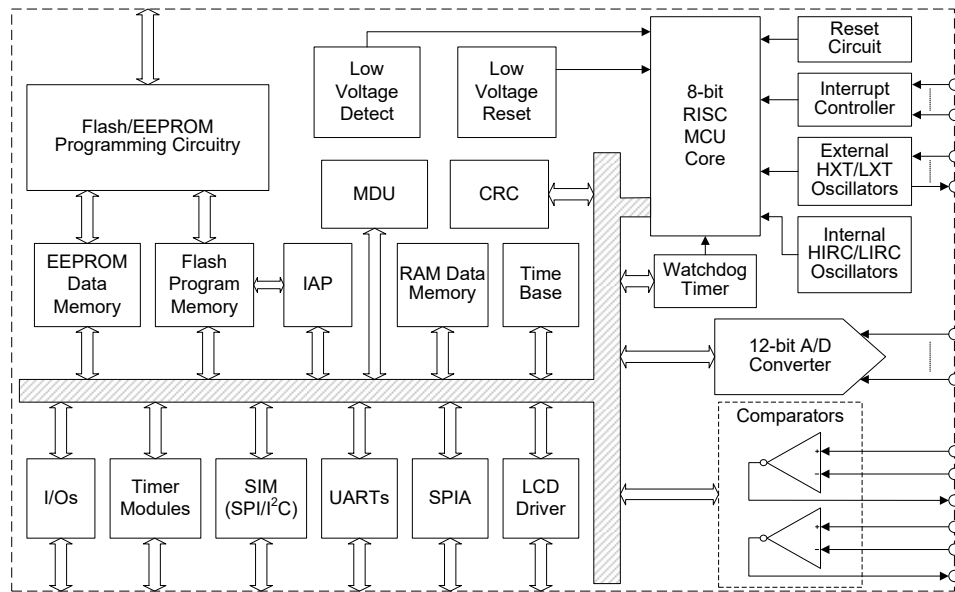
Most features are common to all devices. The main features distinguishing them are Memory capacity, I/O count, A/D converter channel number, LCD driver pin count and UART interface number. The following table summarises the main features of each device.

Part No.	Program Memory	Data Memory	Data EEPROM	I/O	External Interrupt	A/D	LCD Driver (SEGm × COMn)	Timer Module
HT67F2350	8k × 16	768 × 8	256 × 8	57	4	12-bit × 12	46 × 4 44 × 6 42 × 8	10-bit PTM × 6 16-bit PTM × 2 16-bit STM × 3
HT67F2360	16k × 16	1536 × 8	256 × 8	71	4	12-bit × 16	56 × 4 54 × 6 52 × 8	10-bit PTM × 6 16-bit PTM × 2 16-bit STM × 3
HT67F2370	32k × 16	3072 × 8	512 × 8	71	4	12-bit × 16	56 × 4 54 × 6 52 × 8	10-bit PTM × 6 16-bit PTM × 2 16-bit STM × 3
HT67F2390	64k × 16	4096 × 8	1024 × 8	71	4	12-bit × 16	56 × 4 54 × 6 52 × 8	10-bit PTM × 6 16-bit PTM × 2 16-bit STM × 3

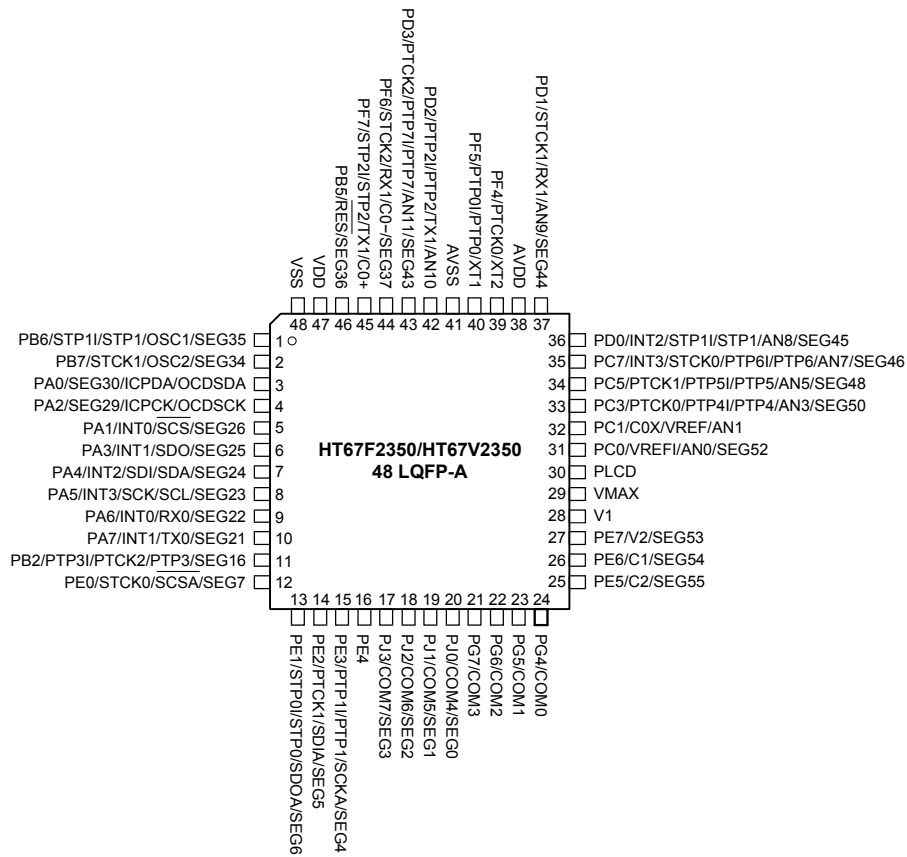
Part No.	Time Base	Comparators	Stacks	SIM	SPIA	UART	MDU	CRC	Package
HT67F2350	2	2	16	√	√	2	√	√	48/64LQFP
HT67F2360	2	2	16	√	√	2	√	√	64/80LQFP
HT67F2370	2	2	16	√	√	3	√	√	64/80LQFP
HT67F2390	2	2	16	√	√	3	√	√	64/80LQFP

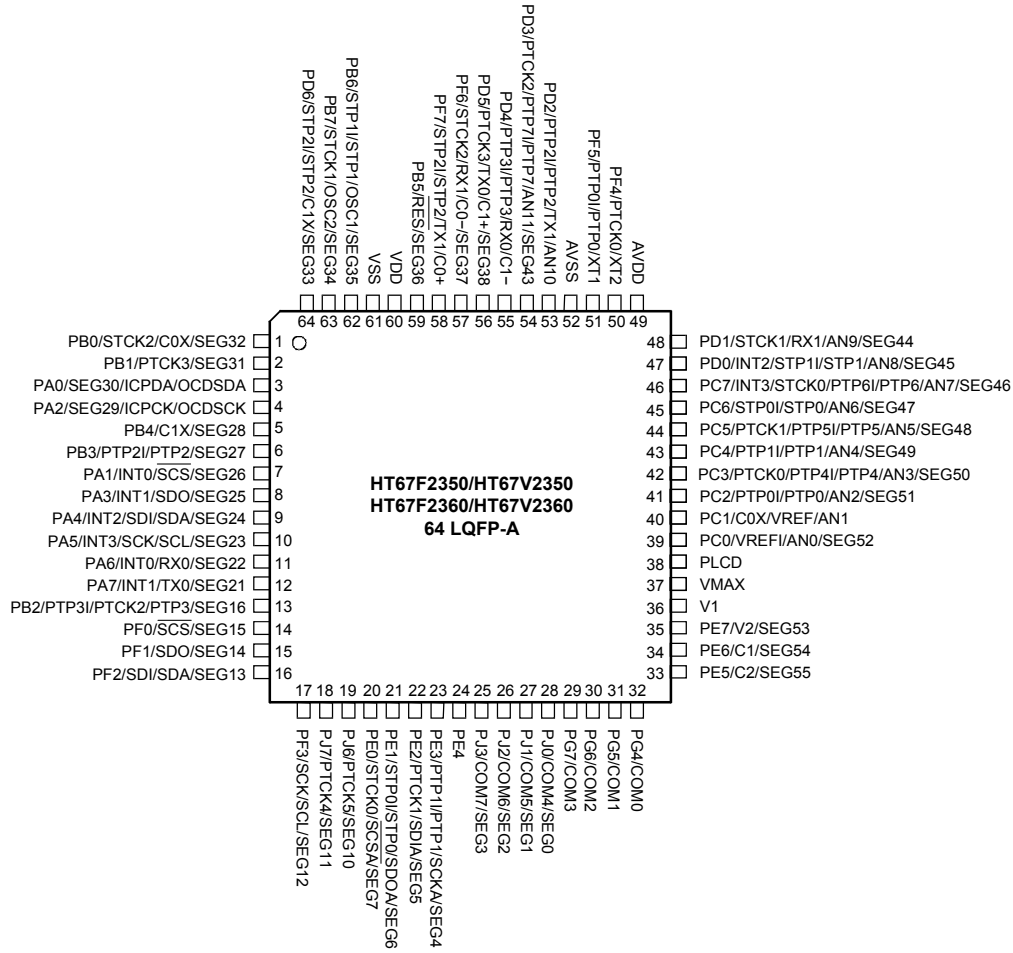
Note: As devices exist in more than one package format, the table reflects the situation for the package with the most pins.

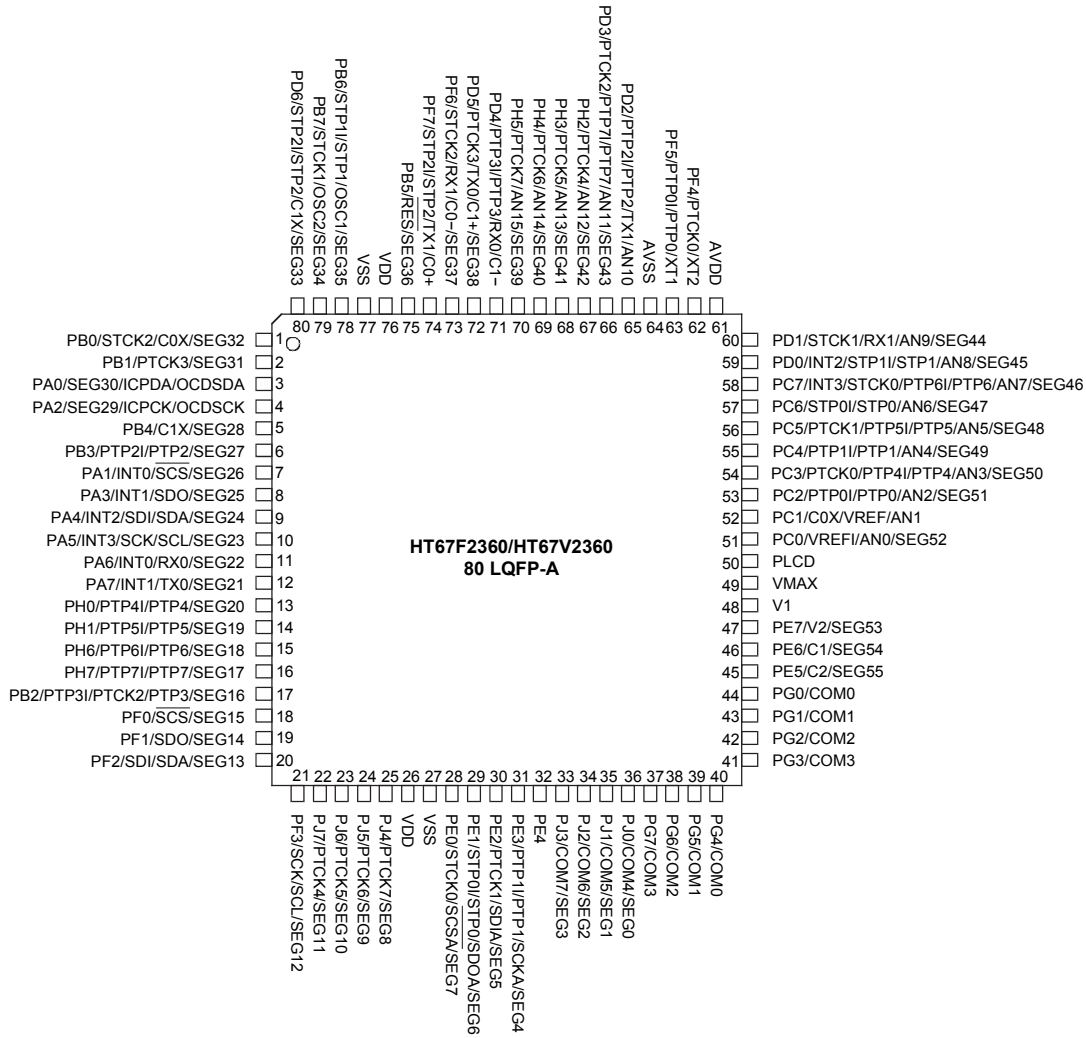
Block Diagram

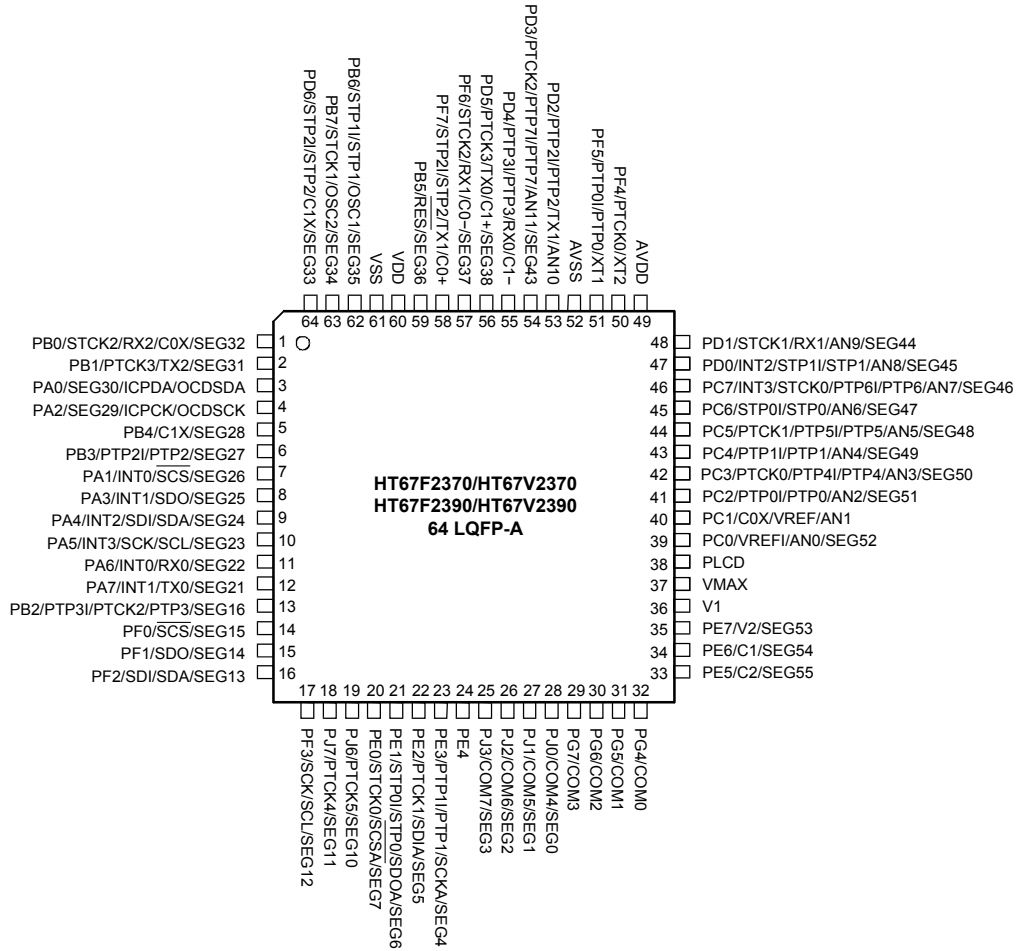


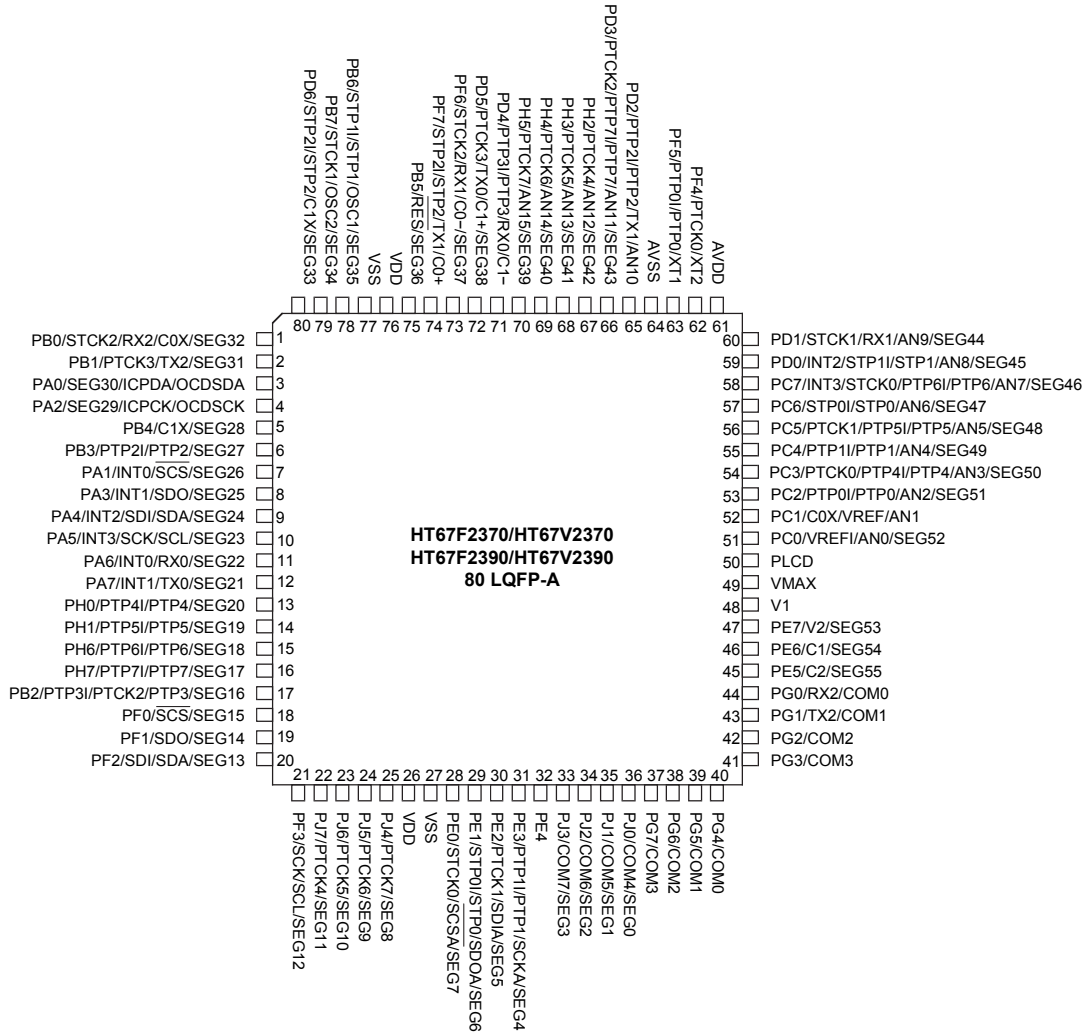
Pin Assignment











Note: The OCSDSA and OCDSCK pins are the OCDS dedicated pins and only available for the HT67V23x0 device which is the OCDS EV chip for the HT67F23x0 device.

Pin Descriptions

With the exception of the power pins, all pins on these devices can be referenced by their Port name, e.g. PA0, PA1, etc., which refer to the digital I/O function of the pins. However these Port pins are also shared with other function such as the Analog to Digital Converter, Timer Module pins, etc. The function of each pin is listed in the following table, however the details behind how each pin is configured is contained in other sections of the datasheet.

HT67F2350

Pad Name	Function	OPT	I/T	O/T	Description
PA0/SEG30/ICPDA/OCSDSA	PA0	PAWU PAPU PAS0	ST	CMOS	General purpose I/O. Register enabled pull-up and wake-up.
	SEG30	PAS0	—	LCD	LCD segment output
	ICPDA	—	ST	CMOS	ICP Data/Address pin
	OCSDSA	—	ST	CMOS	OCDS Data/Address pin, for EV chip only.
PA1/INT0/ $\overline{\text{SCS}}$ /SEG26	PA1	PAWU PAPU PAS0	ST	CMOS	General purpose I/O. Register enabled pull-up and wake-up.
	INT0	PAS0 INTEG INTC0 IFS2	ST	—	External Interrupt 0
	$\overline{\text{SCS}}$	PAS0 IFS2	ST	CMOS	SPI slave select
	SEG26	PAS0	—	LCD	LCD segment output
PA2/SEG29/ICPCK/OCDSCK	PA2	PAWU PAPU PAS0	ST	CMOS	General purpose I/O. Register enabled pull-up and wake-up.
	SEG29	PAS0	—	LCD	LCD segment output
	ICPCK	—	ST	CMOS	ICP Clock pin
	OCDSCK	—	ST	—	OCDS Clock pin, for EV chip only.
PA3/INT1/SDO/SEG25	PA3	PAWU PAPU PAS0	ST	CMOS	General purpose I/O. Register enabled pull-up and wake-up.
	INT1	PAS0 INTEG INTC0 IFS2	ST	—	External Interrupt 1
	SDO	PAS0	—	CMOS	SPI data output
	SEG25	PAS0	—	LCD	LCD segment output
PA4/INT2/SDI/SDA/SEG24	PA4	PAWU PAPU PAS1	ST	CMOS	General purpose I/O. Register enabled pull-up and wake-up.
	INT2	PAS1 INTEG INTC3 IFS2	ST	—	External Interrupt 2
	SDI	PAS1 IFS2	ST	—	SPI data input
	SDA	PAS1 IFS2	ST	NMOS	I ² C data line
	SEG24	PAS1	—	LCD	LCD segment output

Pad Name	Function	OPT	I/T	O/T	Description
PA5/INT3/SCK/SCL/ SEG23	PA5	PAWU PAPU PAS1	ST	CMOS	General purpose I/O. Register enabled pull-up and wake-up.
	INT3	PAS1 INTEG INTC3 IFS2	ST	—	External Interrupt 3
	SCK	PAS1 IFS2	ST	CMOS	SPI serial clock
	SCL	PAS1 IFS2	ST	NMOS	I ² C clock line
	SEG23	PAS1	—	LCD	LCD segment output
PA6/INT0/RX0/SEG22	PA6	PAWU PAPU PAS1	ST	CMOS	General purpose I/O. Register enabled pull-up and wake-up.
	INT0	PAS1 INTEG INTC0 IFS2	ST	—	External Interrupt 0
	RX0	PAS1 IFS4	ST	—	UART0 RX serial data input
	SEG22	PAS1	—	LCD	LCD segment output
PA7/INT1/TX0/SEG21	PA7	PAWU PAPU PAS1	ST	CMOS	General purpose I/O. Register enabled pull-up and wake-up.
	INT1	PAS1 INTEG INTC0 IFS2	ST	—	External Interrupt 1
	TX0	PAS1	—	CMOS	UART0 TX serial data output
	SEG21	PAS1	—	LCD	LCD segment output
PB0/STCK2/C0X/SEG32	PB0	PBPU PBS0	ST	CMOS	General purpose I/O. Register enabled pull-up.
	STCK2	PBS0 IFS0	ST	—	STM2 clock input
	C0X	PBS0	—	CMOS	Comparator 0 output
	SEG32	PBS0	—	LCD	LCD segment output
PB1/PTCK3/SEG31	PB1	PBPU PBS0	ST	CMOS	General purpose I/O. Register enabled pull-up.
	PTCK3	PBS0 IFS0	ST	—	PTM3 clock input
	SEG31	PBS0	—	LCD	LCD segment output
PB2/PTP31/PTCK2/ PTP3/SEG16	PB2	PBPU PBS0	ST	CMOS	General purpose I/O. Register enabled pull-up.
	PTP31	PBS0 IFS1	ST	—	PTM3 capture input
	PTCK2	PBS0 IFS0	ST	—	PTM2 clock input
	PTP3	PBS0	—	CMOS	PTM3 output
	SEG16	PBS0	—	LCD	LCD segment output

Pad Name	Function	OPT	I/T	O/T	Description
PB3/PTP21/PTP2/SEG27	PB3	PBPU PBS0	ST	CMOS	General purpose I/O. Register enabled pull-up.
	PTP21	PBS0 IFS1	ST	—	PTM2 capture input
	PTP2	PBS0	—	CMOS	PTM2 output
	SEG27	PBS0	—	LCD	LCD segment output
PB4/C1X/SEG28	PB4	PBPU PBS1	ST	CMOS	General purpose I/O. Register enabled pull-up.
	C1X	PBS1	—	CMOS	Comparator 1 output
	SEG28	PBS1	—	LCD	LCD segment output
PB5/RES/SEG36	PB5	PBPU PBS1 RSTC	ST	CMOS	General purpose I/O. Register enabled pull-up.
	RES	RSTC	ST	—	External reset input
	SEG36	PBS1 RSTC	—	LCD	LCD segment output
PB6/STP11/STP1/OSC1/ SEG35	PB6	PBPU PBS1	ST	CMOS	General purpose I/O. Register enabled pull-up.
	STP11	PBS1 IFS1	ST	—	STM1 capture input
	STP1	PBS1	—	CMOS	STM1 output
	OSC1	PBS1	HXT	—	HXT oscillator pin
	SEG35	PBS1	—	LCD	LCD segment output
PB7/STCK1/OSC2/ SEG34	PB7	PBPU PBS1	ST	CMOS	General purpose I/O. Register enabled pull-up.
	STCK1	PBS1 IFS0	ST	—	STM1 clock input
	OSC2	PBS1	—	HXT	HXT oscillator pin
	SEG34	PBS1	—	LCD	LCD segment output
PC0/VREF1/AN0/SEG52	PC0	PCPU PCS0	ST	CMOS	General purpose I/O. Register enabled pull-up.
	VREF1	PCS0	AN	—	A/D Converter reference voltage input
	AN0	PCS0	AN	—	A/D Converter analog input
	SEG52	PCS0	—	LCD	LCD segment output
PC1/C0X/VREF/AN1	PC1	PCPU PCS0	ST	CMOS	General purpose I/O. Register enabled pull-up.
	C0X	PCS0	—	CMOS	Comparator 0 output
	VREF	PCS0	AN	—	A/D Converter reference voltage input
	AN1	PCS0	AN	—	A/D Converter analog input
PC2/PTP01/PTP0/AN2/ SEG51	PC2	PCPU PCS0	ST	CMOS	General purpose I/O. Register enabled pull-up.
	PTP01	PCS0 IFS1	ST	—	PTM0 capture input
	PTP0	PCS0	—	CMOS	PTM0 output
	AN2	PCS0	AN	—	A/D Converter analog input
	SEG51	PCS0	—	LCD	LCD segment output

Pad Name	Function	OPT	I/T	O/T	Description
PC3/PTCK0/PTP4I/ PTP4/AN3/SEG50	PC3	PCPU PCS0	ST	CMOS	General purpose I/O. Register enabled pull-up.
	PTCK0	PCS0 IFS0	ST	—	PTM0 clock input
	PTP4I	PCS0	ST	—	PTM4 capture input
	PTP4	PCS0	—	CMOS	PTM4 output
	AN3	PCS0	AN	—	A/D Converter analog input
	SEG50	PCS0	—	LCD	LCD segment output
PC4/PTP11/PTP1/AN4/ SEG49	PC4	PCPU PCS1	ST	CMOS	General purpose I/O. Register enabled pull-up.
	PTP11	PCS1 IFS1	ST	—	PTM1 capture input
	PTP1	PCS1	—	CMOS	PTM1 output
	AN4	PCS1	AN	—	A/D Converter analog input
	SEG49	PCS1	—	LCD	LCD segment output
PC5/PTCK1/PTP5I/ PTP5/AN5/SEG48	PC5	PCPU PCS1	ST	CMOS	General purpose I/O. Register enabled pull-up.
	PTCK1	PCS1 IFS0	ST	—	PTM1 clock input
	PTP5I	PCS1	ST	—	PTM5 capture input
	PTP5	PCS1	—	CMOS	PTM5 output
	AN5	PCS1	AN	—	A/D Converter analog input
	SEG48	PCS1	—	LCD	LCD segment output
PC6/STP0I/STP0/AN6/ SEG47	PC6	PCPU PCS1	ST	CMOS	General purpose I/O. Register enabled pull-up.
	STP0I	PCS1 IFS1	ST	—	STM0 capture input
	STP0	PCS1	—	CMOS	STM0 output
	AN6	PCS1	AN	—	A/D Converter analog input
	SEG47	PCS1	—	LCD	LCD segment output
PC7/INT3/STCK0/PTP6I/ PTP6/AN7/SEG46	PC7	PCPU PCS1	ST	CMOS	General purpose I/O. Register enabled pull-up.
	INT3	PCS1 INTEG INTC3 IFS2	ST	—	External Interrupt 3
	STCK0	PCS1 IFS0	ST	—	STM0 clock input
	PTP6I	PCS1	ST	—	PTM6 capture input
	PTP6	PCS1	—	CMOS	PTM6 output
	AN7	PCS1	AN	—	A/D Converter analog input
	SEG46	PCS1	—	LCD	LCD segment output

Pad Name	Function	OPT	I/T	O/T	Description
PD0/INT2/STP11/STP1/ AN8/SEG45	PD0	PDP PDS0	ST	CMOS	General purpose I/O. Register enabled pull-up.
	INT2	PDS0 INTEG INTC3 IFS2	ST	—	External Interrupt 2
	STP11	PDS0 IFS1	ST	—	STM1 capture input
	STP1	PDS0	—	CMOS	STM1 output
	AN8	PDS0	AN	—	A/D Converter analog input
	SEG45	PCS1	—	LCD	LCD segment output
PD1/STCK1/RX1/AN9/ SEG44	PD1	PDP PDS0	ST	CMOS	General purpose I/O. Register enabled pull-up.
	STCK1	PDS0 IFS0	ST	—	STM1 clock input
	RX1	PDS0 IFS4	ST	—	UART1 RX serial data input
	AN9	PDS0	AN	—	A/D Converter analog input
	SEG44	PDS0	—	LCD	LCD segment output
PD2/PTP21/PTP2/TX1/ AN10	PD2	PDP PDS0	ST	CMOS	General purpose I/O. Register enabled pull-up.
	PTP21	PDS0 IFS1	ST	—	PTM2 capture input
	PTP2	PDS0	—	CMOS	PTM2 output
	TX1	PDS0	—	CMOS	UART1 TX serial data output
	AN10	PDS0	AN	—	A/D Converter analog input
PD3/PTCK2/PTP71/ PTP7/AN11/SEG43	PD3	PDP PDS0	ST	CMOS	General purpose I/O. Register enabled pull-up.
	PTCK2	PDS0 IFS0	ST	—	PTM2 clock input
	PTP71	PDS0	ST	—	PTM7 capture input
	PTP7	PDS0	—	CMOS	PTM7 output
	AN11	PDS0	AN	—	A/D Converter analog input
PD4/PTP31/PTP3/RX0/ C1-	PD4	PDP PDS1	ST	CMOS	General purpose I/O. Register enabled pull-up.
	PTP31	PDS1 IFS1	ST	—	PTM3 capture input
	PTP3	PDS1	—	CMOS	PTM3 output
	RX0	PDS1 IFS4	ST	—	UART0 RX serial data input
	C1-	PDS1	AN	—	Comparator 1 negative input
PD5/PTCK3/TX0/C1+/ SEG38	PD5	PDP PDS1	ST	CMOS	General purpose I/O. Register enabled pull-up.
	PTCK3	PDS1 IFS0	ST	—	PTM3 clock input
	TX0	PDS1	—	CMOS	UART0 TX serial data output
	C1+	PDS1	AN	—	Comparator 1 positive input
	SEG38	PDS1	—	LCD	LCD segment output

Pad Name	Function	OPT	I/T	O/T	Description
PD6/STP2I/STP2/C1X/ SEG33	PD6	PDP PDS1	ST	CMOS	General purpose I/O. Register enabled pull-up.
	STP2I	PDS1 IFS1	ST	—	STM2 capture input
	STP2	PDS1	—	CMOS	STM2 output
	C1X	PDS1	—	CMOS	Comparator 1 output
	SEG33	PDS1	—	LCD	LCD segment output
PE0/STCK0/SCSA/SEG7	PE0	PEP PES0	ST	CMOS	General purpose I/O. Register enabled pull-up.
	STCK0	PES0 IFS0	ST	—	STM0 clock input
	SCSA	PES0	ST	CMOS	SPIA slave select
	SEG7	PES0	—	LCD	LCD segment output
PE1/STP0I/STP0/SDOA/ SEG6	PE1	PEP PES0	ST	CMOS	General purpose I/O. Register enabled pull-up.
	STP0I	PES0 IFS1	ST	—	STM0 capture input
	STP0	PES0	—	CMOS	STM0 inverted output
	SDOA	PES0	—	CMOS	SPIA data output
	SEG6	PES0	—	LCD	LCD segment output
PE2/PTCK1/SDIA/SEG5	PE2	PEP PES0	ST	CMOS	General purpose I/O. Register enabled pull-up.
	PTCK1	PES0 IFS0	ST	—	PTM1 clock input
	SDIA	PES0	ST	—	SPIA data input
	SEG5	PES0	—	LCD	LCD segment output
PE3/PTP1I/PTP1/SCKA/ SEG4	PE3	PEP PES0	ST	CMOS	General purpose I/O. Register enabled pull-up.
	PTP1I	PES0 IFS1	ST	—	PTM1 capture input
	PTP1	PES0	—	CMOS	PTM1 output
	SCKA	PES0	ST	CMOS	SPIA serial clock
	SEG4	PES0	—	LCD	LCD segment output
PE4	PE4	PEP PES1	ST	CMOS	General purpose I/O. Register enabled pull-up.
PE5/C2/SEG55	PE5	PEP PES1	ST	CMOS	General purpose I/O. Register enabled pull-up.
	C2	PES1	—	AN	LCD voltage pump
	SEG55	PES1	—	LCD	LCD segment output
PE6/C1/SEG54	PE6	PEP PES1	ST	CMOS	General purpose I/O. Register enabled pull-up.
	C1	PES1	—	AN	LCD voltage pump
	SEG54	PES1	—	LCD	LCD segment output
PE7/V2/SEG53	PE7	PEP PES1	ST	CMOS	General purpose I/O. Register enabled pull-up.
	V2	PES1	PWR	AN	LCD voltage pump
	SEG53	PES1	—	LCD	LCD segment output
PF0/SCS/SEG15	PF0	PFP PFS0	ST	CMOS	General purpose I/O. Register enabled pull-up.
	SCS	PFS0 IFS2	ST	CMOS	SPI slave select
	SEG15	PFS0	—	LCD	LCD segment output

Pad Name	Function	OPT	I/T	O/T	Description
PF1/SDO/SEG14	PF1	PFP PFS0	ST	CMOS	General purpose I/O. Register enabled pull-up.
	SDO	PFS0	—	CMOS	SPI data output
	SEG14	PFS0	—	LCD	LCD segment output
PF2/SDI/SDA/SEG13	PF2	PFP PFS0	ST	CMOS	General purpose I/O. Register enabled pull-up.
	SDI	PFS0 IFS2	ST	—	SPI data input
	SDA	PFS0 IFS2	ST	NMOS	I ² C data line
	SEG13	PFS0	—	LCD	LCD segment output
PF3/SCK/SCL/SEG12	PF3	PFP PFS0	ST	CMOS	General purpose I/O. Register enabled pull-up.
	SCK	PFS0 IFS2	ST	CMOS	SPI serial clock
	SCL	PFS0 IFS2	ST	NMOS	I ² C clock line
	SEG12	PFS0	—	LCD	LCD segment output
PF4/PTCK0/XT2	PF4	PFP PFS1	ST	CMOS	General purpose I/O. Register enabled pull-up.
	PTCK0	PFS1 IFS0	ST	—	PTM0 clock input
	XT2	PFS1	—	LXT	LXT oscillator pin
PF5/PTP0/PTP0/XT1	PF5	PFP PFS1	ST	CMOS	General purpose I/O. Register enabled pull-up.
	PTP0	PFS1 IFS1	ST	—	PTM0 capture input
	PTP0	PFS1	—	CMOS	PTM0 output
	XT1	PFS1	LXT	—	LXT oscillator pin
PF6/STCK2/RX1/C0-/ SEG37	PF6	PFP PFS1	ST	CMOS	General purpose I/O. Register enabled pull-up.
	STCK2	PFS1 IFS0	ST	—	STM2 clock input
	RX1	PFS1 IFS4	ST	—	UART1 RX serial data input
	C0-	PFS1	AN	—	Comparator 0 negative input
	SEG37	PFS1	—	LCD	LCD segment output
PF7/STP2/STP2/TX1/ C0+	PF7	PFP PFS1	ST	CMOS	General purpose I/O. Register enabled pull-up.
	STP2	PFS1 IFS1	ST	—	STM2 capture input
	STP2	PFS1	—	CMOS	STM2 output
	TX1	PFS1	—	CMOS	UART1 TX serial data output
	C0+	PFS1	AN	—	Comparator 0 positive input
PG4/COM0	PG4	PGPU PGS1	ST	CMOS	General purpose I/O. Register enabled pull-up.
	COM0	PGS1	—	LCD	LCD common output
PG5/COM1	PG5	PGPU PGS1	ST	CMOS	General purpose I/O. Register enabled pull-up.
	COM1	PGS1	—	LCD	LCD common output
PG6/COM2	PG6	PGPU PGS1	ST	CMOS	General purpose I/O. Register enabled pull-up.
	COM2	PGS1	—	LCD	LCD common output

Pad Name	Function	OPT	I/T	O/T	Description
PG7/COM3	PG7	PGPU PGS1	ST	CMOS	General purpose I/O. Register enabled pull-up.
	COM3	PGS1	—	LCD	LCD common output
PJ0/COM4/SEG0	PJ0	PJPU PJS0	ST	CMOS	General purpose I/O. Register enabled pull-up.
	COM4	PJS0	—	LCD	LCD common output
	SEG0	PJS0	—	LCD	LCD segment output
PJ1/COM5/SEG1	PJ1	PJPU PJS0	ST	CMOS	General purpose I/O. Register enabled pull-up.
	COM5	PJS0	—	LCD	LCD common output
	SEG1	PJS0	—	LCD	LCD segment output
PJ2/COM6/SEG2	PJ2	PJPU PJS0	ST	CMOS	General purpose I/O. Register enabled pull-up.
	COM6	PJS0	—	LCD	LCD common output
	SEG2	PJS0	—	LCD	LCD segment output
PJ3/COM7/SEG3	PJ3	PJPU PJS0	ST	CMOS	General purpose I/O. Register enabled pull-up.
	COM7	PJS0	—	LCD	LCD common output
	SEG3	PJS0	—	LCD	LCD segment output
PJ6/PTCK5/SEG10	PJ6	PJPU PJS1	ST	CMOS	General purpose I/O. Register enabled pull-up.
	PTCK5	PJS1	ST	—	PTM5 clock input
	SEG10	PJS1	—	LCD	LCD segment output
PJ7/PTCK4/SEG11	PJ7	PJPU PJS1	ST	CMOS	General purpose I/O. Register enabled pull-up.
	PTCK4	PJS1	ST	—	PTM4 clock input
	SEG11	PJS1	—	LCD	LCD segment output
VDD	VDD	—	PWR	—	Positive power supply
VSS	VSS	—	PWR	—	Negative power supply, ground.
AVDD	AVDD	—	PWR	—	Analog positive power supply
AVSS	AVSS	—	PWR	—	Analog negative power supply, ground.
VMAX	VMAX	—	PWR	—	IC maximum voltage, connected to V _{DD} or V1.
V1	V1	—	PWR	AN	LCD voltage pump
PLCD	PLCD	—	PWR	AN	LCD power supply

Legend: I/T: Input type; O/T: Output type; OPT: Optional by register option;
 CMOS: CMOS output; NMOS: NMOS output;
 ST: Schmitt Trigger input; AN: Analog signal;
 HXT: High frequency crystal oscillator; LXT: Low frequency crystal oscillator;
 LCD: LCD SEG/COM output; PWR: Power

HT67F2360

Pad Name	Function	OPT	I/T	O/T	Description
PA0/SEG30/ICPDA/ OCSDA	PA0	PAWU PAPU PAS0	ST	CMOS	General purpose I/O. Register enabled pull-up and wake-up.
	SEG30	PAS0	—	LCD	LCD segment output
	ICPDA	—	ST	CMOS	ICP Data/Address pin
	OCSDA	—	ST	CMOS	OCDS Data/Address pin, for EV chip only.
PA1/INT0/SCS/SEG26	PA1	PAWU PAPU PAS0	ST	CMOS	General purpose I/O. Register enabled pull-up and wake-up.
	INT0	PAS0 INTEG INTC0 IFS2	ST	—	External Interrupt 0
	SCS	PAS0 IFS2	ST	CMOS	SPI slave select
	SEG26	PAS0	—	LCD	LCD segment output
PA2/SEG29/ICPCK/ OCDSCK	PA2	PAWU PAPU PAS0	ST	CMOS	General purpose I/O. Register enabled pull-up and wake-up.
	SEG29	PAS0	—	LCD	LCD segment output
	ICPCK	—	ST	CMOS	ICP Clock pin
	OCDSCK	—	ST	—	OCDS Clock pin, for EV chip only.
PA3/INT1/SDO/SEG25	PA3	PAWU PAPU PAS0	ST	CMOS	General purpose I/O. Register enabled pull-up and wake-up.
	INT1	PAS0 INTEG INTC0 IFS2	ST	—	External Interrupt 1
	SDO	PAS0	—	CMOS	SPI data output
	SEG25	PAS0	—	LCD	LCD segment output
PA4/INT2/SDI/SDA/ SEG24	PA4	PAWU PAPU PAS1	ST	CMOS	General purpose I/O. Register enabled pull-up and wake-up.
	INT2	PAS1 INTEG INTC3 IFS2	ST	—	External Interrupt 2
	SDI	PAS1 IFS2	ST	—	SPI data input
	SDA	PAS1 IFS2	ST	NMOS	I ² C data line
	SEG24	PAS1	—	LCD	LCD segment output

Pad Name	Function	OPT	I/T	O/T	Description
PA5/INT3/SCK/SCL/SEG23	PA5	PAWU PAPU PAS1	ST	CMOS	General purpose I/O. Register enabled pull-up and wake-up.
	INT3	PAS1 INTEG INTC3 IFS2	ST	—	External Interrupt 3
	SCK	PAS1 IFS2	ST	CMOS	SPI serial clock
	SCL	PAS1 IFS2	ST	NMOS	I ² C clock line
	SEG23	PAS1	—	LCD	LCD segment output
PA6/INT0/RX0/SEG22	PA6	PAWU PAPU PAS1	ST	CMOS	General purpose I/O. Register enabled pull-up and wake-up.
	INT0	PAS1 INTEG INTC0 IFS2	ST	—	External Interrupt 0
	RX0	PAS1 IFS4	ST	—	UART0 RX serial data input
	SEG22	PAS1	—	LCD	LCD segment output
PA7/INT1/TX0/SEG21	PA7	PAWU PAPU PAS1	ST	CMOS	General purpose I/O. Register enabled pull-up and wake-up.
	INT1	PAS1 INTEG INTC0 IFS2	ST	—	External Interrupt 1
	TX0	PAS1	—	CMOS	UART0 TX serial data output
	SEG21	PAS1	—	LCD	LCD segment output
PB0/STCK2/C0X/SEG32	PB0	PBPU PBS0	ST	CMOS	General purpose I/O. Register enabled pull-up.
	STCK2	PBS0 IFS0	ST	—	STM2 clock input
	C0X	PBS0	—	CMOS	Comparator 0 output
	SEG32	PBS0	—	LCD	LCD segment output
PB1/PTCK3/SEG31	PB1	PBPU PBS0	ST	CMOS	General purpose I/O. Register enabled pull-up.
	PTCK3	PBS0 IFS0	ST	—	PTM3 clock input
	SEG31	PBS0	—	LCD	LCD segment output
PB2/PTP3I/PTCK2/PTP3/SEG16	PB2	PBPU PBS0	ST	CMOS	General purpose I/O. Register enabled pull-up.
	PTP3I	PBS0 IFS1	ST	—	PTM3 capture input
	PTCK2	PBS0 IFS0	ST	—	PTM2 clock input
	PTP3	PBS0	—	CMOS	PTM3 output
	SEG16	PBS0	—	LCD	LCD segment output

Pad Name	Function	OPT	I/T	O/T	Description
PB3/PTP2I/PTP2/SEG27	PB3	PBPU PBS0	ST	CMOS	General purpose I/O. Register enabled pull-up.
	PTP2I	PBS0 IFS1	ST	—	PTM2 capture input
	PTP2	PBS0	—	CMOS	PTM2 output
	SEG27	PBS0	—	LCD	LCD segment output
PB4/C1X/SEG28	PB4	PBPU PBS1	ST	CMOS	General purpose I/O. Register enabled pull-up.
	C1X	PBS1	—	CMOS	Comparator 1 output
	SEG28	PBS1	—	LCD	LCD segment output
PB5/RES/SEG36	PB5	PBPU PBS1 RSTC	ST	CMOS	General purpose I/O. Register enabled pull-up.
	RES	RSTC	ST	—	External reset input
	SEG36	PBS1	—	LCD	LCD segment output
PB6/STP1I/STP1/OSC1/ SEG35	PB6	PBPU PBS1	ST	CMOS	General purpose I/O. Register enabled pull-up.
	STP1I	PBS1 IFS1	ST	—	STM1 capture input
	STP1	PBS1	—	CMOS	STM1 output
	OSC1	PBS1	HXT	—	HXT oscillator pin
	SEG35	PBS1	—	LCD	LCD segment output
PB7/STCK1/OSC2/ SEG34	PB7	PBPU PBS1	ST	CMOS	General purpose I/O. Register enabled pull-up.
	STCK1	PBS1 IFS0	ST	—	STM1 clock input
	OSC2	PBS1	—	HXT	HXT oscillator pin
	SEG34	PBS1	—	LCD	LCD segment output
PC0/VREFI/AN0/SEG52	PC0	PCPU PCS0	ST	CMOS	General purpose I/O. Register enabled pull-up.
	VREFI	PCS0	AN	—	A/D Converter reference voltage input
	AN0	PCS0	AN	—	A/D Converter analog input
	SEG52	PCS0	—	LCD	LCD segment output
PC1/C0X/VREF/AN1	PC1	PCPU PCS0	ST	CMOS	General purpose I/O. Register enabled pull-up.
	C0X	PCS0	—	CMOS	Comparator 0 output
	VREF	PCS0	AN	—	A/D Converter reference voltage input
	AN1	PCS0	AN	—	A/D Converter analog input
PC2/PTP0I/PTP0/AN2/ SEG51	PC2	PCPU PCS0	ST	CMOS	General purpose I/O. Register enabled pull-up.
	PTP0I	PCS0 IFS1	ST	—	PTM0 capture input
	PTP0	PCS0	—	CMOS	PTM0 output
	AN2	PCS0	AN	—	A/D Converter analog input
	SEG51	PCS0	—	LCD	LCD segment output

Pad Name	Function	OPT	I/T	O/T	Description
PC3/PTCK0/PTP4I/ PTP4/AN3/SEG50	PC3	PCPU PCS0	ST	CMOS	General purpose I/O. Register enabled pull-up.
	PTCK0	PCS0 IFS0	ST	—	PTM0 clock input
	PTP4I	PCS0 IFS3	ST	—	PTM4 capture input
	PTP4	PCS0	—	CMOS	PTM4 output
	AN3	PCS0	AN	—	A/D Converter analog input
	SEG50	PCS0	—	LCD	LCD segment output
PC4/PTP11/PTP1/AN4/ SEG49	PC4	PCPU PCS1	ST	CMOS	General purpose I/O. Register enabled pull-up.
	PTP11	PCS1 IFS1	ST	—	PTM1 capture input
	PTP1	PCS1	—	CMOS	PTM1 output
	AN4	PCS1	AN	—	A/D Converter analog input
	SEG49	PCS1	—	LCD	LCD segment output
PC5/PTCK1/PTP5I/ PTP5/AN5/SEG48	PC5	PCPU PCS1	ST	CMOS	General purpose I/O. Register enabled pull-up.
	PTCK1	PCS1 IFS0	ST	—	PTM1 clock input
	PTP5I	PCS1 IFS3	ST	—	PTM5 capture input
	PTP5	PCS1	—	CMOS	PTM5 output
	AN5	PCS1	AN	—	A/D Converter analog input
	SEG48	PCS1	—	LCD	LCD segment output
PC6/STP0I/STP0/AN6/ SEG47	PC6	PCPU PCS1	ST	CMOS	General purpose I/O. Register enabled pull-up.
	STP0I	PCS1 IFS1	ST	—	STM0 capture input
	STP0	PCS1	—	CMOS	STM0 output
	AN6	PCS1	AN	—	A/D Converter analog input
	SEG47	PCS1	—	LCD	LCD segment output
PC7/INT3/STCK0/PTP6I/ PTP6/AN7/SEG46	PC7	PCPU PCS1	ST	CMOS	General purpose I/O. Register enabled pull-up.
	INT3	PCS1 INTEG INTC3 IFS2	ST	—	External Interrupt 3
	STCK0	PCS1 IFS0	ST	—	STM0 clock input
	PTP6I	PCS1 IFS3	ST	—	PTM6 capture input
	PTP6	PCS1	—	CMOS	PTM6 output
	AN7	PCS1	AN	—	A/D Converter analog input
	SEG46	PCS1	—	LCD	LCD segment output

Pad Name	Function	OPT	I/T	O/T	Description
PD0/INT2/STP1/STP1/ AN8/SEG45	PD0	PDP PDS0	ST	CMOS	General purpose I/O. Register enabled pull-up.
	INT2	PDS0 INTEG INTC3 IFS2	ST	—	External Interrupt 2
	STP1I	PDS0 IFS1	ST	—	STM1 capture input
	STP1	PDS0	—	CMOS	STM1 output
	AN8	PDS0	AN	—	A/D Converter analog input
	SEG45	PCS1	—	LCD	LCD segment output
PD1/STCK1/RX1/AN9/ SEG44	PD1	PDP PDS0	ST	CMOS	General purpose I/O. Register enabled pull-up.
	STCK1	PDS0 IFS0	ST	—	STM1 clock input
	RX1	PDS0 IFS4	ST	—	UART1 RX serial data input
	AN9	PDS0	AN	—	A/D Converter analog input
	SEG44	PDS0	—	LCD	LCD segment output
PD2/PTP2I/PTP2/TX1/ AN10	PD2	PDP PDS0	ST	CMOS	General purpose I/O. Register enabled pull-up.
	PTP2I	PDS0 IFS1	ST	—	PTM2 capture input
	PTP2	PDS0	—	CMOS	PTM2 output
	TX1	PDS0	—	CMOS	UART1 TX serial data output
	AN10	PDS0	AN	—	A/D Converter analog input
PD3/PTCK2/PTP7I/ PTP7/AN11/SEG43	PD3	PDP PDS0	ST	CMOS	General purpose I/O. Register enabled pull-up.
	PTCK2	PDS0 IFS0	ST	—	PTM2 clock input
	PTP7I	PDS0 IFS3	ST	—	PTM7 capture input
	PTP7	PDS0	—	CMOS	PTM7 output
	AN11	PDS0	AN	—	A/D Converter analog input
	SEG43	PDS0	—	LCD	LCD segment output
PD4/PTP3I/PTP3/RX0/ C1-	PD4	PDP PDS1	ST	CMOS	General purpose I/O. Register enabled pull-up.
	PTP3I	PDS1 IFS1	ST	—	PTM3 capture input
	PTP3	PDS1	—	CMOS	PTM3 output
	RX0	PDS1 IFS4	ST	—	UART0 RX serial data input
	C1-	PDS1	AN	—	Comparator 1 negative input
PD5/PTCK3/TX0/C1+/ SEG38	PD5	PDP PDS1	ST	CMOS	General purpose I/O. Register enabled pull-up.
	PTCK3	PDS1 IFS0	ST	—	PTM3 clock input
	TX0	PDS1	—	CMOS	UART0 TX serial data output
	C1+	PDS1	AN	—	Comparator 1 positive input
	SEG38	PDS1	—	LCD	LCD segment output

Pad Name	Function	OPT	I/T	O/T	Description
PD6/STP2I/STP2/C1X/ SEG33	PD6	PDP PDS1	ST	CMOS	General purpose I/O. Register enabled pull-up.
	STP2I	PDS1 IFS1	ST	—	STM2 capture input
	STP2	PDS1	—	CMOS	STM2 output
	C1X	PDS1	—	CMOS	Comparator 1 output
	SEG33	PDS1	—	LCD	LCD segment output
PE0/STCK0/SCSA/SEG7	PE0	PEPU PES0	ST	CMOS	General purpose I/O. Register enabled pull-up.
	STCK0	PES0 IFS0	ST	—	STM0 clock input
	SCSA	PES0	ST	CMOS	SPIA slave select
	SEG7	PES0	—	LCD	LCD segment output
PE1/STP0I/STP0/SDOA/ SEG6	PE1	PEPU PES0	ST	CMOS	General purpose I/O. Register enabled pull-up.
	STP0I	PES0 IFS1	ST	—	STM0 capture input
	STP0	PES0	—	CMOS	STM0 inverted output
	SDOA	PES0	—	CMOS	SPIA data output
	SEG6	PES0	—	LCD	LCD segment output
PE2/PTCK1/SDIA/SEG5	PE2	PEPU PES0	ST	CMOS	General purpose I/O. Register enabled pull-up.
	PTCK1	PES0 IFS0	ST	—	PTM1 clock input
	SDIA	PES0	ST	—	SPIA data input
	SEG5	PES0	—	LCD	LCD segment output
PE3/PTP1I/PTP1/SCKA/ SEG4	PE3	PEPU PES0	ST	CMOS	General purpose I/O. Register enabled pull-up.
	PTP1I	PES0 IFS1	ST	—	PTM1 capture input
	PTP1	PES0	—	CMOS	PTM1 output
	SCKA	PES0	ST	CMOS	SPIA serial clock
	SEG4	PES0	—	LCD	LCD segment output
PE4	PE4	PEPU PES1	ST	CMOS	General purpose I/O. Register enabled pull-up.
PE5/C2/SEG55	PE5	PEPU PES1	ST	CMOS	General purpose I/O. Register enabled pull-up.
	C2	PES1	—	AN	LCD voltage pump
	SEG55	PES1	—	LCD	LCD segment output
PE6/C1/SEG54	PE6	PEPU PES1	ST	CMOS	General purpose I/O. Register enabled pull-up.
	C1	PES1	—	AN	LCD voltage pump
	SEG54	PES1	—	LCD	LCD segment output
PE7/V2/SEG53	PE7	PEPU PES1	ST	CMOS	General purpose I/O. Register enabled pull-up.
	V2	PES1	PWR	AN	LCD voltage pump
	SEG53	PES1	—	LCD	LCD segment output
PF0/SCS/SEG15	PF0	PFPU PFS0	ST	CMOS	General purpose I/O. Register enabled pull-up.
	SCS	PFS0 IFS2	ST	CMOS	SPI slave select
	SEG15	PFS0	—	LCD	LCD segment output

Pad Name	Function	OPT	I/T	O/T	Description
PF1/SDO/SEG14	PF1	PFPU PFS0	ST	CMOS	General purpose I/O. Register enabled pull-up.
	SDO	PFS0	—	CMOS	SPI data output
	SEG14	PFS0	—	LCD	LCD segment output
PF2/SDI/SDA/SEG13	PF2	PFPU PFS0	ST	CMOS	General purpose I/O. Register enabled pull-up.
	SDI	PFS0 IFS2	ST	—	SPI data input
	SDA	PFS0 IFS2	ST	NMOS	I ² C data line
	SEG13	PFS0	—	LCD	LCD segment output
PF3/SCK/SCL/SEG12	PF3	PFPU PFS0	ST	CMOS	General purpose I/O. Register enabled pull-up.
	SCK	PFS0 IFS2	ST	CMOS	SPI serial clock
	SCL	PFS0 IFS2	ST	NMOS	I ² C clock line
	SEG12	PFS0	—	LCD	LCD segment output
PF4/PTCK0/XT2	PF4	PFPU PFS1	ST	CMOS	General purpose I/O. Register enabled pull-up.
	PTCK0	PFS1 IFS0	ST	—	PTM0 clock input
	XT2	PFS1	—	LXT	LXT oscillator pin
PF5/PTP0/PTP0/XT1	PF5	PFPU PFS1	ST	CMOS	General purpose I/O. Register enabled pull-up.
	PTP0I	PFS1 IFS1	ST	—	PTM0 capture input
	PTP0	PFS1	—	CMOS	PTM0 output
	XT1	PFS1	LXT	—	LXT oscillator pin
PF6/STCK2/RX1/C0-/ SEG37	PF6	PFPU PFS1	ST	CMOS	General purpose I/O. Register enabled pull-up.
	STCK2	PFS1 IFS0	ST	—	STM2 clock input
	RX1	PFS1 IFS4	ST	—	UART1 RX serial data input
	C0-	PFS1	AN	—	Comparator 0 negative input
	SEG37	PFS1	—	LCD	LCD segment output
PF7/STP2I/STP2/TX1/ C0+	PF7	PFPU PFS1	ST	CMOS	General purpose I/O. Register enabled pull-up.
	STP2I	PFS1 IFS1	ST	—	STM2 capture input
	STP2	PFS1	—	CMOS	STM2 output
	TX1	PFS1	—	CMOS	UART1 TX serial data output
	C0+	PFS1	AN	—	Comparator 0 positive input
PG0/COM0	PG0	PGPU PGS0	ST	CMOS	General purpose I/O. Register enabled pull-up.
	COM0	PGS0	—	LCD	LCD common output
PG1/COM1	PG1	PGPU PGS0	ST	CMOS	General purpose I/O. Register enabled pull-up.
	COM1	PGS0	—	LCD	LCD common output

Pad Name	Function	OPT	I/T	O/T	Description
PG2/COM2	PG2	PGPU PGS0	ST	CMOS	General purpose I/O. Register enabled pull-up.
	COM2	PGS0	—	LCD	LCD common output
PG3/COM3	PG3	PGPU PGS0	ST	CMOS	General purpose I/O. Register enabled pull-up.
	COM3	PGS0	—	LCD	LCD common output
PG4/COM0	PG4	PGPU PGS1	ST	CMOS	General purpose I/O. Register enabled pull-up.
	COM0	PGS1	—	LCD	LCD common output
PG5/COM1	PG5	PGPU PGS1	ST	CMOS	General purpose I/O. Register enabled pull-up.
	COM1	PGS1	—	LCD	LCD common output
PG6/COM2	PG6	PGPU PGS1	ST	CMOS	General purpose I/O. Register enabled pull-up.
	COM2	PGS1	—	LCD	LCD common output
PG7/COM3	PG7	PGPU PGS1	ST	CMOS	General purpose I/O. Register enabled pull-up.
	COM3	PGS1	—	LCD	LCD common output
PH0/PTP4I/PTP4/SEG20	PH0	PHPU PHS0	ST	CMOS	General purpose I/O. Register enabled pull-up.
	PTP4I	PHS0 IFS3	ST	—	PTM4 capture input
	PTP4	PHS0	—	CMOS	PTM4 output
	SEG20	PHS0	—	LCD	LCD segment output
PH1/PTP5I/PTP5/SEG19	PH1	PHPU PHS0	ST	CMOS	General purpose I/O. Register enabled pull-up.
	PTP5I	PHS0 IFS3	ST	—	PTM5 capture input
	PTP5	PHS0	—	CMOS	PTM5 output
	SEG19	PHS0	—	LCD	LCD segment output
PH2/PTCK4/AN12/ SEG42	PH2	PHPU PHS0	ST	CMOS	General purpose I/O. Register enabled pull-up.
	PTCK4	PHS0 IFS3	ST	—	PTM4 clock input
	AN12	PHS0	AN	—	A/D Converter analog input
	SEG42	PHS0	—	LCD	LCD segment output
PH3/PTCK5/AN13/ SEG41	PH3	PHPU PHS0	ST	CMOS	General purpose I/O. Register enabled pull-up.
	PTCK5	PHS0 IFS3	ST	—	PTM5 clock input
	AN13	PHS0	AN	—	A/D Converter analog input
	SEG41	PHS0	—	LCD	LCD segment output
PH4/PTCK6/AN14/ SEG40	PH4	PHPU PHS1	ST	CMOS	General purpose I/O. Register enabled pull-up.
	PTCK6	PHS1 IFS3	ST	—	PTM6 clock input
	AN14	PHS1	AN	—	A/D Converter analog input
	SEG40	PHS1	—	LCD	LCD segment output

Pad Name	Function	OPT	I/T	O/T	Description
PH5/PTCK7/AN15/ SEG39	PH5	PHPU PHS1	ST	CMOS	General purpose I/O. Register enabled pull-up.
	PTCK7	PHS1 IFS3	ST	—	PTM7 clock input
	AN15	PHS1	AN	—	A/D Converter analog input
	SEG39	PHS1	—	LCD	LCD segment output
PH6/PTP6I/PTP6/SEG18	PH6	PHPU PHS1	ST	CMOS	General purpose I/O. Register enabled pull-up.
	PTP6I	PHS1 IFS3	ST	—	PTM6 capture input
	PTP6	PHS1	—	CMOS	PTM6 output
	SEG18	PHS1	—	LCD	LCD segment output
PH7/PTP7I/PTP7/SEG17	PH7	PHPU PHS1	ST	CMOS	General purpose I/O. Register enabled pull-up.
	PTP7I	PHS1 IFS3	ST	—	PTM7 capture input
	PTP7	PHS1	—	CMOS	PTM7 output
	SEG17	PHS1	—	LCD	LCD segment output
PJ0/COM4/SEG0	PJ0	PJPU PJS0	ST	CMOS	General purpose I/O. Register enabled pull-up.
	COM4	PJS0	—	LCD	LCD common output
	SEG0	PJS0	—	LCD	LCD segment output
PJ1/COM5/SEG1	PJ1	PJPU PJS0	ST	CMOS	General purpose I/O. Register enabled pull-up.
	COM5	PJS0	—	LCD	LCD common output
	SEG1	PJS0	—	LCD	LCD segment output
PJ2/COM6/SEG2	PJ2	PJPU PJS0	ST	CMOS	General purpose I/O. Register enabled pull-up.
	COM6	PJS0	—	LCD	LCD common output
	SEG2	PJS0	—	LCD	LCD segment output
PJ3/COM7/SEG3	PJ3	PJPU PJS0	ST	CMOS	General purpose I/O. Register enabled pull-up.
	COM7	PJS0	—	LCD	LCD common output
	SEG3	PJS0	—	LCD	LCD segment output
PJ4/PTCK7/SEG8	PJ4	PJPU PJS1	ST	CMOS	General purpose I/O. Register enabled pull-up.
	PTCK7	PJS1 IFS3	ST	—	PTM5 clock input
	SEG8	PJS1	—	LCD	LCD segment output
PJ5/PTCK6/SEG9	PJ5	PJPU PJS1	ST	CMOS	General purpose I/O. Register enabled pull-up.
	PTCK6	PJS1 IFS3	ST	—	PTM4 clock input
	SEG9	PJS1	—	LCD	LCD segment output
PJ6/PTCK5/SEG10	PJ6	PJPU PJS1	ST	CMOS	General purpose I/O. Register enabled pull-up.
	PTCK5	PJS1 IFS3	ST	—	PTM5 clock input
	SEG10	PJS1	—	LCD	LCD segment output

Pad Name	Function	OPT	I/T	O/T	Description
PJ7/PTCK4/SEG11	PJ7	PJPU PJS1	ST	CMOS	General purpose I/O. Register enabled pull-up.
	PTCK4	PJS1 IFS3	ST	—	PTM4 clock input
	SEG11	PJS1	—	LCD	LCD segment output
VDD	VDD	—	PWR	—	Positive power supply
VSS	VSS	—	PWR	—	Negative power supply, ground.
AVDD	AVDD	—	PWR	—	Analog positive power supply
AVSS	AVSS	—	PWR	—	Analog negative power supply, ground.
VMAX	VMAX	—	PWR	—	IC maximum voltage, connected to V _{DD} or V1.
V1	V1	—	PWR	AN	LCD voltage pump
PLCD	PLCD	—	PWR	AN	LCD power supply

Legend: I/T: Input type; O/T: Output type; OPT: Optional by register option;
 CMOS: CMOS output; NMOS: NMOS output;
 ST: Schmitt Trigger input; AN: Analog signal;
 HXT: High frequency crystal oscillator; LXT: Low frequency crystal oscillator;
 LCD: LCD SEG/COM output; PWR: Power

HT67F2370/HT67F2390

Pad Name	Function	OPT	I/T	O/T	Description
PA0/SEG30/ICPDA/ OCSDSA	PA0	PAWU PAPU PAS0	ST	CMOS	General purpose I/O. Register enabled pull-up and wake-up.
	SEG30	PAS0	—	LCD	LCD segment output
	ICPDA	—	ST	CMOS	ICP Data/Address pin
	OCSDSA	—	ST	CMOS	OCDS Data/Address pin, for EV chip only.
PA1/INT0/ $\overline{\text{SCS}}$ /SEG26	PA1	PAWU PAPU PAS0	ST	CMOS	General purpose I/O. Register enabled pull-up and wake-up.
	INT0	PAS0 INTEG INTC0 IFS2	ST	—	External Interrupt 0
	$\overline{\text{SCS}}$	PAS0 IFS2	ST	CMOS	SPI slave select
	SEG26	PAS0	—	LCD	LCD segment output
PA2/SEG29/ICPCK/ OCDSCK	PA2	PAWU PAPU PAS0	ST	CMOS	General purpose I/O. Register enabled pull-up and wake-up.
	SEG29	PAS0	—	LCD	LCD segment output
	ICPCK	—	ST	CMOS	ICP Clock pin
	OCDSCK	—	ST	—	OCDS Clock pin, for EV chip only.
PA3/INT1/SDO/SEG25	PA3	PAWU PAPU PAS0	ST	CMOS	General purpose I/O. Register enabled pull-up and wake-up.
	INT1	PAS0 INTEG INTC0 IFS2	ST	—	External Interrupt 1
	SDO	PAS0	—	CMOS	SPI data output
	SEG25	PAS0	—	LCD	LCD segment output

Pad Name	Function	OPT	I/T	O/T	Description
PA4/INT2/SDI/SDA/ SEG24	PA4	PAWU PAPU PAS1	ST	CMOS	General purpose I/O. Register enabled pull-up and wake-up.
	INT2	PAS1 INTEG INTC3 IFS2	ST	—	External Interrupt 2
	SDI	PAS1 IFS2	ST	—	SPI data input
	SDA	PAS1 IFS2	ST	NMOS	I ² C data line
	SEG24	PAS1	—	LCD	LCD segment output
PA5/INT3/SCK/SCL/ SEG23	PA5	PAWU PAPU PAS1	ST	CMOS	General purpose I/O. Register enabled pull-up and wake-up.
	INT3	PAS1 INTEG INTC3 IFS2	ST	—	External Interrupt 3
	SCK	PAS1 IFS2	ST	CMOS	SPI serial clock
	SCL	PAS1 IFS2	ST	NMOS	I ² C clock line
	SEG23	PAS1	—	LCD	LCD segment output
PA6/INT0/RX0/SEG22	PA6	PAWU PAPU PAS1	ST	CMOS	General purpose I/O. Register enabled pull-up and wake-up.
	INT0	PAS1 INTEG INTC0 IFS2	ST	—	External Interrupt 0
	RX0	PAS1 IFS4	ST	—	UART0 RX serial data input
	SEG22	PAS1	—	LCD	LCD segment output
PA7/INT1/TX0/SEG21	PA7	PAWU PAPU PAS1	ST	CMOS	General purpose I/O. Register enabled pull-up and wake-up.
	INT1	PAS1 INTEG INTC0 IFS2	ST	—	External Interrupt 1
	TX0	PAS1	—	CMOS	UART0 TX serial data output
	SEG21	PAS1	—	LCD	LCD segment output
PB0/STCK2/RX2/C0X/ SEG32	PB0	PBPU PBS0	ST	CMOS	General purpose I/O. Register enabled pull-up.
	STCK2	PBS0 IFS0	ST	—	STM2 clock input
	RX2	PBS0 IFS4	ST	—	UART2 RX serial data input
	C0X	PBS0	—	CMOS	Comparator 0 output
	SEG32	PBS0	—	LCD	LCD segment output

Pad Name	Function	OPT	I/T	O/T	Description
PB1/PTCK3/TX2/SEG31	PB1	PBPU PBS0	ST	CMOS	General purpose I/O. Register enabled pull-up.
	PTCK3	PBS0 IFS0	ST	—	PTM3 clock input
	TX2	PBS0	—	CMOS	UART2 TX serial data output
	SEG31	PBS0	—	LCD	LCD segment output
PB2/PTP31/PTCK2/ PTP3/SEG16	PB2	PBPU PBS0	ST	CMOS	General purpose I/O. Register enabled pull-up.
	PTP31	PBS0 IFS1	ST	—	PTM3 capture input
	PTCK2	PBS0 IFS0	ST	—	PTM2 clock input
	PTP3	PBS0	—	CMOS	PTM3 output
	SEG16	PBS0	—	LCD	LCD segment output
PB3/PTP21/PTP2/SEG27	PB3	PBPU PBS0	ST	CMOS	General purpose I/O. Register enabled pull-up.
	PTP21	PBS0 IFS1	ST	—	PTM2 capture input
	PTP2	PBS0	—	CMOS	PTM2 output
	SEG27	PBS0	—	LCD	LCD segment output
PB4/C1X/SEG28	PB4	PBPU PBS1	ST	CMOS	General purpose I/O. Register enabled pull-up.
	C1X	PBS1	—	CMOS	Comparator 1 output
	SEG28	PBS1	—	LCD	LCD segment output
PB5/RES/SEG36	PB5	PBPU PBS1 RSTC	ST	CMOS	General purpose I/O. Register enabled pull-up.
	RES	RSTC	ST	—	External reset input
	SEG36	PBS1	—	LCD	LCD segment output
PB6/STP11/STP1/OSC1/ SEG35	PB6	PBPU PBS1	ST	CMOS	General purpose I/O. Register enabled pull-up.
	STP11	PBS1 IFS1	ST	—	STM1 capture input
	STP1	PBS1	—	CMOS	STM1 output
	OSC1	PBS1	HXT	—	HXT oscillator pin
	SEG35	PBS1	—	LCD	LCD segment output
PB7/STCK1/OSC2/ SEG34	PB7	PBPU PBS1	ST	CMOS	General purpose I/O. Register enabled pull-up.
	STCK1	PBS1 IFS0	ST	—	STM1 clock input
	OSC2	PBS1	—	HXT	HXT oscillator pin
	SEG34	PBS1	—	LCD	LCD segment output
PC0/VREFI/AN0/SEG52	PC0	PCPU PCS0	ST	CMOS	General purpose I/O. Register enabled pull-up.
	VREFI	PCS0	AN	—	A/D Converter reference voltage input
	AN0	PCS0	AN	—	A/D Converter analog input
	SEG52	PCS0	—	LCD	LCD segment output
PC1/C0X/VREF/AN1	PC1	PCPU PCS0	ST	CMOS	General purpose I/O. Register enabled pull-up.
	C0X	PCS0	—	CMOS	Comparator 0 output
	VREF	PCS0	AN	—	A/D Converter reference voltage input
	AN1	PCS0	AN	—	A/D Converter analog input

Pad Name	Function	OPT	I/T	O/T	Description
PC2/PTP0I/PTP0/AN2/ SEG51	PC2	PCPU PCS0	ST	CMOS	General purpose I/O. Register enabled pull-up.
	PTP0I	PCS0 IFS1	ST	—	PTM0 capture input
	PTP0	PCS0	—	CMOS	PTM0 output
	AN2	PCS0	AN	—	A/D Converter analog input
	SEG51	PCS0	—	LCD	LCD segment output
PC3/PTCK0/PTP4I/ PTP4/AN3/SEG50	PC3	PCPU PCS0	ST	CMOS	General purpose I/O. Register enabled pull-up.
	PTCK0	PCS0 IFS0	ST	—	PTM0 clock input
	PTP4I	PCS0 IFS3	ST	—	PTM4 capture input
	PTP4	PCS0	—	CMOS	PTM4 output
	AN3	PCS0	AN	—	A/D Converter analog input
PC4/PTP1I/PTP1/AN4/ SEG49	PC4	PCPU PCS1	ST	CMOS	General purpose I/O. Register enabled pull-up.
	PTP1I	PCS1 IFS1	ST	—	PTM1 capture input
	PTP1	PCS1	—	CMOS	PTM1 output
	AN4	PCS1	AN	—	A/D Converter analog input
	SEG49	PCS1	—	LCD	LCD segment output
PC5/PTCK1/PTP5I/ PTP5/AN5/SEG48	PC5	PCPU PCS1	ST	CMOS	General purpose I/O. Register enabled pull-up.
	PTCK1	PCS1 IFS0	ST	—	PTM1 clock input
	PTP5I	PCS1 IFS3	ST	—	PTM5 capture input
	PTP5	PCS1	—	CMOS	PTM5 output
	AN5	PCS1	AN	—	A/D Converter analog input
PC6/STP0I/STP0/AN6/ SEG47	PC6	PCPU PCS1	ST	CMOS	General purpose I/O. Register enabled pull-up.
	STP0I	PCS1 IFS1	ST	—	STM0 capture input
	STP0	PCS1	—	CMOS	STM0 output
	AN6	PCS1	AN	—	A/D Converter analog input
	SEG47	PCS1	—	LCD	LCD segment output
PC7/INT3/STCK0/PTP6I/ PTP6/AN7/SEG46	PC7	PCPU PCS1	ST	CMOS	General purpose I/O. Register enabled pull-up.
	INT3	PCS1 INTEG INTC3 IFS2	ST	—	External Interrupt 3
	STCK0	PCS1 IFS0	ST	—	STM0 clock input
	PTP6I	PCS1 IFS3	ST	—	PTM6 capture input
	PTP6	PCS1	—	CMOS	PTM6 output
	AN7	PCS1	AN	—	A/D Converter analog input
	SEG46	PCS1	—	LCD	LCD segment output

Pad Name	Function	OPT	I/T	O/T	Description
PD0/INT2/STP11/STP1/ AN8/SEG45	PD0	PDP PDS0	ST	CMOS	General purpose I/O. Register enabled pull-up.
	INT2	PDS0 INTEG INTC3 IFS2	ST	—	External Interrupt 2
	STP11	PDS0 IFS1	ST	—	STM1 capture input
	STP1	PDS0	—	CMOS	STM1 output
	AN8	PDS0	AN	—	A/D Converter analog input
	SEG45	PCS1	—	LCD	LCD segment output
PD1/STCK1/RX1/AN9/ SEG44	PD1	PDP PDS0	ST	CMOS	General purpose I/O. Register enabled pull-up.
	STCK1	PDS0 IFS0	ST	—	STM1 clock input
	RX1	PDS0 IFS4	ST	—	UART1 RX serial data input
	AN9	PDS0	AN	—	A/D Converter analog input
	SEG44	PDS0	—	LCD	LCD segment output
PD2/PTP21/PTP2/TX1/ AN10	PD2	PDP PDS0	ST	CMOS	General purpose I/O. Register enabled pull-up.
	PTP21	PDS0 IFS1	ST	—	PTM2 capture input
	PTP2	PDS0	—	CMOS	PTM2 output
	TX1	PDS0	—	CMOS	UART1 TX serial data output
	AN10	PDS0	AN	—	A/D Converter analog input
PD3/PTCK2/PTP71/ PTP7/AN11/SEG43	PD3	PDP PDS0	ST	CMOS	General purpose I/O. Register enabled pull-up.
	PTCK2	PDS0 IFS0	ST	—	PTM2 clock input
	PTP71	PDS0 IFS3	ST	—	PTM7 capture input
	PTP7	PDS0	—	CMOS	PTM7 output
	AN11	PDS0	AN	—	A/D Converter analog input
	SEG43	PDS0	—	LCD	LCD segment output
PD4/PTP31/PTP3/RX0/ C1-	PD4	PDP PDS1	ST	CMOS	General purpose I/O. Register enabled pull-up.
	PTP31	PDS1 IFS1	ST	—	PTM3 capture input
	PTP3	PDS1	—	CMOS	PTM3 output
	RX0	PDS1 IFS4	ST	—	UART0 RX serial data input
	C1-	PDS1	AN	—	Comparator 1 negative input
PD5/PTCK3/TX0/C1+/ SEG38	PD5	PDP PDS1	ST	CMOS	General purpose I/O. Register enabled pull-up.
	PTCK3	PDS1 IFS0	ST	—	PTM3 clock input
	TX0	PDS1	—	CMOS	UART0 TX serial data output
	C1+	PDS1	AN	—	Comparator 1 positive input
	SEG38	PDS1	—	LCD	LCD segment output

Pad Name	Function	OPT	I/T	O/T	Description
PD6/STP2I/STP2/C1X/SEG33	PD6	PDP PDS1	ST	CMOS	General purpose I/O. Register enabled pull-up.
	STP2I	PDS1 IFS1	ST	—	STM2 capture input
	STP2	PDS1	—	CMOS	STM2 output
	C1X	PDS1	—	CMOS	Comparator 1 output
	SEG33	PDS1	—	LCD	LCD segment output
PE0/STCK0/SCSA/SEG7	PE0	PEPU PES0	ST	CMOS	General purpose I/O. Register enabled pull-up.
	STCK0	PES0 IFS0	ST	—	STM0 clock input
	SCSA	PES0	ST	CMOS	SPIA slave select
	SEG7	PES0	—	LCD	LCD segment output
PE1/STP0I/STP0/SDOA/SEG6	PE1	PEPU PES0	ST	CMOS	General purpose I/O. Register enabled pull-up.
	STP0I	PES0 IFS1	ST	—	STM0 capture input
	STP0	PES0	—	CMOS	STM0 inverted output
	SDOA	PES0	—	CMOS	SPIA data output
	SEG6	PES0	—	LCD	LCD segment output
PE2/PTCK1/SDIA/SEG5	PE2	PEPU PES0	ST	CMOS	General purpose I/O. Register enabled pull-up.
	PTCK1	PES0 IFS0	ST	—	PTM1 clock input
	SDIA	PES0	ST	—	SPIA data input
	SEG5	PES0	—	LCD	LCD segment output
PE3/PTP1I/PTP1/SCKA/SEG4	PE3	PEPU PES0	ST	CMOS	General purpose I/O. Register enabled pull-up.
	PTP1I	PES0 IFS1	ST	—	PTM1 capture input
	PTP1	PES0	—	CMOS	PTM1 output
	SCKA	PES0	ST	CMOS	SPIA serial clock
	SEG4	PES0	—	LCD	LCD segment output
PE4	PE4	PEPU PES1	ST	CMOS	General purpose I/O. Register enabled pull-up.
PE5/C2/SEG55	PE5	PEPU PES1	ST	CMOS	General purpose I/O. Register enabled pull-up.
	C2	PES1	—	AN	LCD voltage pump
	SEG55	PES1	—	LCD	LCD segment output
PE6/C1/SEG54	PE6	PEPU PES1	ST	CMOS	General purpose I/O. Register enabled pull-up.
	C1	PES1	—	AN	LCD voltage pump
	SEG54	PES1	—	LCD	LCD segment output
PE7/V2/SEG53	PE7	PEPU PES1	ST	CMOS	General purpose I/O. Register enabled pull-up.
	V2	PES1	PWR	AN	LCD voltage pump
	SEG53	PES1	—	LCD	LCD segment output
PF0/SCS/SEG15	PF0	PFP PFS0	ST	CMOS	General purpose I/O. Register enabled pull-up.
	SCS	PFS0 IFS2	ST	CMOS	SPI slave select
	SEG15	PFS0	—	LCD	LCD segment output

Pad Name	Function	OPT	I/T	O/T	Description
PF1/SDO/SEG14	PF1	PFPU PFS0	ST	CMOS	General purpose I/O. Register enabled pull-up.
	SDO	PFS0	—	CMOS	SPI data output
	SEG14	PFS0	—	LCD	LCD segment output
PF2/SDI/SDA/SEG13	PF2	PFPU PFS0	ST	CMOS	General purpose I/O. Register enabled pull-up.
	SDI	PFS0 IFS2	ST	—	SPI data input
	SDA	PFS0 IFS2	ST	NMOS	I ² C data line
	SEG13	PFS0	—	LCD	LCD segment output
PF3/SCK/SCL/SEG12	PF3	PFPU PFS0	ST	CMOS	General purpose I/O. Register enabled pull-up.
	SCK	PFS0 IFS2	ST	CMOS	SPI serial clock
	SCL	PFS0 IFS2	ST	NMOS	I ² C clock line
	SEG12	PFS0	—	LCD	LCD segment output
PF4/PTCK0/XT2	PF4	PFPU PFS1	ST	CMOS	General purpose I/O. Register enabled pull-up.
	PTCK0	PFS1 IFS0	ST	—	PTM0 clock input
	XT2	PFS1	—	LXT	LXT oscillator pin
PF5/PTP0/PTP0/XT1	PF5	PFPU PFS1	ST	CMOS	General purpose I/O. Register enabled pull-up.
	PTP0I	PFS1 IFS1	ST	—	PTM0 capture input
	PTP0	PFS1	—	CMOS	PTM0 output
	XT1	PFS1	LXT	—	LXT oscillator pin
PF6/STCK2/RX1/C0-/ SEG37	PF6	PFPU PFS1	ST	CMOS	General purpose I/O. Register enabled pull-up.
	STCK2	PFS1 IFS0	ST	—	STM2 clock input
	RX1	PFS1 IFS4	ST	—	UART1 RX serial data input
	C0-	PFS1	AN	—	Comparator 0 negative input
	SEG37	PFS1	—	LCD	LCD segment output
PF7/STP2I/STP2/TX1/ C0+	PF7	PFPU PFS1	ST	CMOS	General purpose I/O. Register enabled pull-up.
	STP2I	PFS1 IFS1	ST	—	STM2 capture input
	STP2	PFS1	—	CMOS	STM2 output
	TX1	PFS1	—	CMOS	UART1 TX serial data output
	C0+	PFS1	AN	—	Comparator 0 positive input
PG0/COM0	PG0	PGPU PGS0	ST	CMOS	General purpose I/O. Register enabled pull-up.
	COM0	PGS0	—	LCD	LCD common output
PG1/COM1	PG1	PGPU PGS0	ST	CMOS	General purpose I/O. Register enabled pull-up.
	COM1	PGS0	—	LCD	LCD common output

Pad Name	Function	OPT	I/T	O/T	Description
PG2/COM2	PG2	PGPU PGS0	ST	CMOS	General purpose I/O. Register enabled pull-up.
	COM2	PGS0	—	LCD	LCD common output
PG3/COM3	PG3	PGPU PGS0	ST	CMOS	General purpose I/O. Register enabled pull-up.
	COM3	PGS0	—	LCD	LCD common output
PG4/COM0	PG4	PGPU PGS1	ST	CMOS	General purpose I/O. Register enabled pull-up.
	COM0	PGS1	—	LCD	LCD common output
PG5/COM1	PG5	PGPU PGS1	ST	CMOS	General purpose I/O. Register enabled pull-up.
	COM1	PGS1	—	LCD	LCD common output
PG6/COM2	PG6	PGPU PGS1	ST	CMOS	General purpose I/O. Register enabled pull-up.
	COM2	PGS1	—	LCD	LCD common output
PG7/COM3	PG7	PGPU PGS1	ST	CMOS	General purpose I/O. Register enabled pull-up.
	COM3	PGS1	—	LCD	LCD common output
PH0/PTP4I/PTP4/SEG20	PH0	PHPU PHS0	ST	CMOS	General purpose I/O. Register enabled pull-up.
	PTP4I	PHS0 IFS3	ST	—	PTM4 capture input
	PTP4	PHS0	—	CMOS	PTM4 output
	SEG20	PHS0	—	LCD	LCD segment output
PH1/PTP5I/PTP5/SEG19	PH1	PHPU PHS0	ST	CMOS	General purpose I/O. Register enabled pull-up.
	PTP5I	PHS0 IFS3	ST	—	PTM5 capture input
	PTP5	PHS0	—	CMOS	PTM5 output
	SEG19	PHS0	—	LCD	LCD segment output
PH2/PTCK4/AN12/ SEG42	PH2	PHPU PHS0	ST	CMOS	General purpose I/O. Register enabled pull-up.
	PTCK4	PHS0 IFS3	ST	—	PTM4 clock input
	AN12	PHS0	AN	—	A/D Converter analog input
	SEG42	PHS0	—	LCD	LCD segment output
PH3/PTCK5/AN13/ SEG41	PH3	PHPU PHS0	ST	CMOS	General purpose I/O. Register enabled pull-up.
	PTCK5	PHS0 IFS3	ST	—	PTM5 clock input
	AN13	PHS0	AN	—	A/D Converter analog input
	SEG41	PHS0	—	LCD	LCD segment output
PH4/PTCK6/AN14/ SEG40	PH4	PHPU PHS1	ST	CMOS	General purpose I/O. Register enabled pull-up.
	PTCK6	PHS1 IFS3	ST	—	PTM6 clock input
	AN14	PHS1	AN	—	A/D Converter analog input
	SEG40	PHS1	—	LCD	LCD segment output

Pad Name	Function	OPT	I/T	O/T	Description
PH5/PTCK7/AN15/ SEG39	PH5	PHPU PHS1	ST	CMOS	General purpose I/O. Register enabled pull-up.
	PTCK7	PHS1 IFS3	ST	—	PTM7 clock input
	AN15	PHS1	AN	—	A/D Converter analog input
	SEG39	PHS1	—	LCD	LCD segment output
PH6/PTP6I/PTP6/SEG18	PH6	PHPU PHS1	ST	CMOS	General purpose I/O. Register enabled pull-up.
	PTP6I	PHS1 IFS3	ST	—	PTM6 capture input
	PTP6	PHS1	—	CMOS	PTM6 output
	SEG18	PHS1	—	LCD	LCD segment output
PH7/PTP7I/PTP7/SEG17	PH7	PHPU PHS1	ST	CMOS	General purpose I/O. Register enabled pull-up.
	PTP7I	PHS1 IFS3	ST	—	PTM7 capture input
	PTP7	PHS1	—	CMOS	PTM7 output
	SEG17	PHS1	—	LCD	LCD segment output
PJ0/COM4/SEG0	PJ0	PJPU PJS0	ST	CMOS	General purpose I/O. Register enabled pull-up.
	COM4	PJS0	—	LCD	LCD common output
	SEG0	PJS0	—	LCD	LCD segment output
PJ1/COM5/SEG1	PJ1	PJPU PJS0	ST	CMOS	General purpose I/O. Register enabled pull-up.
	COM5	PJS0	—	LCD	LCD common output
	SEG1	PJS0	—	LCD	LCD segment output
PJ2/COM6/SEG2	PJ2	PJPU PJS0	ST	CMOS	General purpose I/O. Register enabled pull-up.
	COM6	PJS0	—	LCD	LCD common output
	SEG2	PJS0	—	LCD	LCD segment output
PJ3/COM7/SEG3	PJ3	PJPU PJS0	ST	CMOS	General purpose I/O. Register enabled pull-up.
	COM7	PJS0	—	LCD	LCD common output
	SEG3	PJS0	—	LCD	LCD segment output
PJ4/PTCK7/SEG8	PJ4	PJPU PJS1	ST	CMOS	General purpose I/O. Register enabled pull-up.
	PTCK7	PJS1 IFS3	ST	—	PTM5 clock input
	SEG8	PJS1	—	LCD	LCD segment output
PJ5/PTCK6/SEG9	PJ5	PJPU PJS1	ST	CMOS	General purpose I/O. Register enabled pull-up.
	PTCK6	PJS1 IFS3	ST	—	PTM4 clock input
	SEG9	PJS1	—	LCD	LCD segment output
PJ6/PTCK5/SEG10	PJ6	PJPU PJS1	ST	CMOS	General purpose I/O. Register enabled pull-up.
	PTCK5	PJS1 IFS3	ST	—	PTM5 clock input
	SEG10	PJS1	—	LCD	LCD segment output

Pad Name	Function	OPT	I/T	O/T	Description
PJ7/PTCK4/SEG11	PJ7	PJPU PJS1	ST	CMOS	General purpose I/O. Register enabled pull-up.
	PTCK4	PJS1 IFS3	ST	—	PTM4 clock input
	SEG11	PJS1	—	LCD	LCD segment output
VDD	VDD	—	PWR	—	Positive power supply
VSS	VSS	—	PWR	—	Negative power supply, ground.
AVDD	AVDD	—	PWR	—	Analog positive power supply
AVSS	AVSS	—	PWR	—	Analog negative power supply, ground.
VMAX	VMAX	—	PWR	—	IC maximum voltage, connected to V _{DD} or V1.
V1	V1	—	PWR	AN	LCD voltage pump
PLCD	PLCD	—	PWR	AN	LCD power supply

Legend: I/T: Input type; O/T: Output type; OPT: Optional by register option;
 CMOS: CMOS output; NMOS: NMOS output;
 ST: Schmitt Trigger input; AN: Analog signal;
 HXT: High frequency crystal oscillator; LXT: Low frequency crystal oscillator;
 LCD: LCD SEG/COM output; PWR: Power

Absolute Maximum Ratings

Supply Voltage	V _{SS} -0.3V to V _{SS} +6.0V
Input Voltage	V _{SS} -0.3V to V _{DD} +0.3V
Storage Temperature.....	-60°C to 150°C
Operating Temperature.....	-40°C to 85°C
I _{OL} Total	80mA
I _{OH} Total	-80mA
Total Power Dissipation	500mW

Note: These are stress ratings only. Stresses exceeding the range specified under "Absolute Maximum Ratings" may cause substantial damage to these devices. Functional operation of these devices at other conditions beyond those listed in the specification is not implied and prolonged exposure to extreme conditions may affect devices reliability.

D.C. Characteristics

For data in the following tables, note that factors such as oscillator type, operating voltage, operating frequency, pin load conditions, temperature and program instruction type, etc., can all exert an influence on the measured values.

Operating Voltage Characteristics

T_a= -40°C to 85°C

Symbol	Parameter	Test Conditions	Min.	Typ.	Max.	Unit
V _{DD}	Operating Voltage – HXT	f _{sys} =8MHz	2.2	—	5.5	V
		f _{sys} =12MHz	2.7	—	5.5	
		f _{sys} =16MHz	3.3	—	5.5	
	Operating Voltage – HIRC	f _{sys} =8MHz	2.2	—	5.5	V
		f _{sys} =12MHz	2.7	—	5.5	
		f _{sys} =16MHz	3.3	—	5.5	
Operating Voltage – LXT	f _{sys} =32768Hz	2.2	—	5.5	V	
Operating Voltage – LIRC	f _{sys} =32kHz	2.2	—	5.5	V	

Standby Current Characteristics

Ta=25°C

Symbol	Standby Mode	Test Conditions		Min.	Typ.	Max.	Max. 85°C	Unit
		V _{DD}	Conditions					
I _{STB}	SLEEP Mode	2.2V	WDT off	—	0.14	0.19	2.90	μA
		3V		—	0.14	0.19	2.90	
		5V		—	0.21	0.50	3.90	
		2.2V	WDT on	—	1.2	2.4	2.9	μA
		3V		—	—	3.0	3.6	
		5V		—	—	5.0	6.0	
	IDLE0 Mode	2.2V	f _{SUB} on	—	2.4	4.0	4.8	μA
		3V		—	3.0	5.0	6.0	
		5V		—	5.0	10	12	
	IDLE1 Mode – HIRC	2.2V	f _{SUB} on, f _{SYS} =8MHz	—	0.3	0.6	0.8	mA
		3V		—	0.5	1.0	1.2	
		5V		—	1.0	2.0	2.2	
		2.7V	f _{SUB} on, f _{SYS} =12MHz	—	0.4	0.8	1.0	mA
		3V		—	0.6	1.2	1.4	
		5V		—	1.2	2.4	2.6	
	IDLE1 Mode – HXT	3.3V	f _{SUB} on, f _{SYS} =16MHz	—	1.5	3.0	3.2	mA
		5V		—	2.0	4.0	4.2	
	IDLE1 Mode – HXT	2.2V	f _{SUB} on, f _{SYS} =8MHz	—	0.3	0.6	0.8	mA
		3V		—	0.5	1.0	1.2	
		5V		—	1.0	2.0	2.2	
2.7V		f _{SUB} on, f _{SYS} =12MHz	—	0.4	0.8	1.0	mA	
3V			—	0.6	1.2	1.4		
5V			—	1.2	2.4	2.6		
IDLE1 Mode – HXT	3.3V	f _{SUB} on, f _{SYS} =16MHz	—	1.5	3.0	3.2	mA	
	5V		—	2.0	4.0	4.2		

Notes: When using the characteristic table data, the following notes should be taken into consideration:

- Any digital inputs are setup in a non floating condition.
- All measurements are taken under conditions of no load and with all peripherals in an off state.
- There are no DC current paths.
- All Standby Current values are taken after a HALT instruction execution thus stopping all instruction execution.

Operating Current Characteristics

Ta=25°C

Symbol	Operating Mode	Test Conditions		Min.	Typ.	Max.	Unit
		V _{DD}	Conditions				
I _{DD}	SLOW Mode – LXT	2.2V	f _{SYS} =32768Hz	—	8	16	μA
		3V		—	10	20	
		5V		—	30	50	
	SLOW Mode – LIRC	2.2V	f _{SYS} =32kHz	—	8	16	μA
		3V		—	10	20	
		5V		—	30	50	
	FAST Mode – HIRC	2.2V	f _{SYS} =8MHz	—	0.8	1.2	mA
		3V		—	1	1.5	
		5V		—	2	3	
		2.7V	f _{SYS} =12MHz	—	1.2	2.2	mA
		3V		—	1.5	2.75	
		5V		—	3	4.5	
		3.3V		f _{SYS} =16MHz	—	3.2	
	5V	—	4.5		7.0		
	FAST Mode – HXT	2.2V	f _{SYS} =8MHz	—	0.8	1.2	mA
		3V		—	1	1.5	
		5V		—	2	3	
		2.7V	f _{SYS} =12MHz	—	1.2	2.2	mA
		3V		—	1.5	2.75	
		5V		—	3	4.5	
		3.3V		f _{SYS} =16MHz	—	3.2	
		5V	—		4.5	7.0	

Notes: When using the characteristic table data, the following notes should be taken into consideration:

- Any digital inputs are setup in a non floating condition.
- All measurements are taken under conditions of no load and with all peripherals in an off state.
- There are no DC current paths.
- All Operating Current values are measured using a continuous NOP instruction program loop.

A.C. Characteristics

For data in the following tables, note that factors such as oscillator type, operating voltage, operating frequency and temperature etc., can all exert an influence on the measured values.

High Speed Internal Oscillator – HIRC – Frequency Accuracy

During the program writing operation the writer will trim the HIRC oscillator at a user selected HIRC frequency and user selected voltage of either 3V or 5V.

8/12/16 MHz

Symbol	Parameter	Test Conditions		Min	Typ	Max	Unit
		V _{DD}	Temp.				
f _{HIRC}	8 MHz Writer Trimmed HIRC Frequency	3V/5V	Ta=25°C	-1%	8	+1%	MHz
			Ta= -40°C ~ 85°C	-2%	8	+2%	
		2.2V~5.5V	Ta=25°C	-2.5%	8	+2.5%	
			Ta= -40°C ~ 85°C	-3%	8	+3%	
	12 MHz Writer Trimmed HIRC Frequency	3V/5V	Ta=25°C	-1%	12	+1%	MHz
			Ta= -40°C ~ 85°C	-2%	12	+2%	
		2.7V~5.5V	Ta=25°C	-2.5%	12	+2.5%	
			Ta= -40°C ~ 85°C	-3%	12	+3%	
	16 MHz Writer Trimmed HIRC Frequency	5V	Ta=25°C	-1%	16	+1%	MHz
			Ta= -40°C ~ 85°C	-2%	16	+2%	
		3.3V~5.5V	Ta=25°C	-2.5%	16	+2.5%	
			Ta= -40°C ~ 85°C	-3%	16	+3%	

Notes: 1. The 3V/5V values for V_{DD} are provided as these are the two selectable fixed voltages at which the HIRC frequency is trimmed by the writer.

2. The row below the 3V/5V trim voltage row is provided to show the values for the full V_{DD} range operating voltage. It is recommended that the trim voltage is fixed at 3V for application voltage ranges from 2.2V to 3.3V and fixed at 5V for application voltage ranges from 3.3V to 5.5V.

3. The minimum and maximum tolerance values provided in the table are only for the frequency at which the writer trims the HIRC oscillator. After trimming at this chosen specific frequency any change in HIRC oscillator frequency using the oscillator register control bits by the application program will give a frequency tolerance to within ±20%.

Low Speed Internal Oscillator Characteristics – LIRC

Ta=25°C, unless otherwise specified

Symbol	Parameter	Test Conditions		Min.	Typ.	Max.	Unit
		V _{DD}	Temp.				
f _{LIRC}	Oscillator Frequency	2.2V~5.5V	Ta=25°C	-5%	32	+5%	kHz
			Ta= -40°C ~ 85°C	-10%	32	+10%	
t _{START}	Start Up Time	—	—	—	—	100	µs

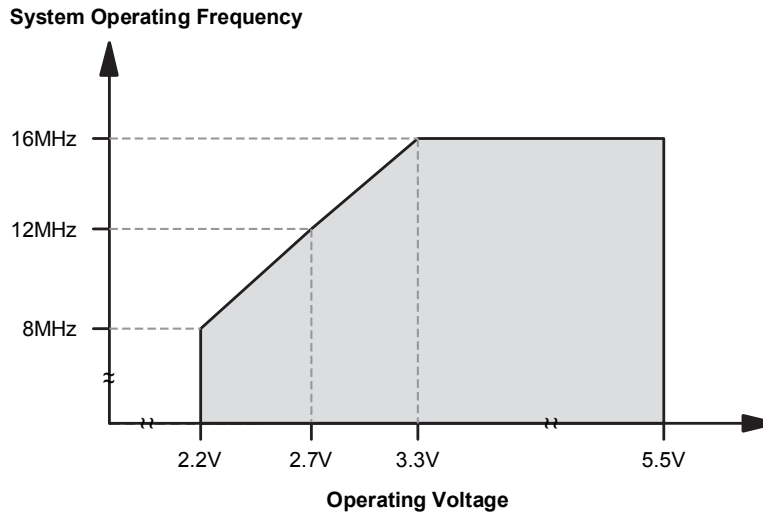
Low Speed Crystal Oscillator Characteristics – LXT

Ta=25°C, unless otherwise specified

Symbol	Parameter	Test Conditions		Min.	Typ.	Max.	Unit
		V _{DD}	Conditions				
f _{LXT}	Oscillator Frequency	2.2~5.5V	Ta= -40°C ~ 85°C	-10%	32.768	+10%	kHz
Duty Cycle	Duty Cycle	—	—	45	50	55	%
t _{START}	Start Up Time	—	—	—	—	500	ms
R _{NEG}	Negative Resistance *	2.2V	—	3*ESR	—	—	Ω

Note: *: C1, C2 and R_p are external components. C1=C2=10pF. R_p=10MΩ. C_L=7pF, ESR=30kΩ.

Operating Frequency Characteristic Curves



System Start Up Time Characteristics

Ta = -40°C ~ 85°C

Symbol	Parameter	Test Conditions		Min.	Typ.	Max.	Unit
		V _{DD}	Conditions				
t _{SST}	System Start-up Time Wake-up from Condition where f _{SYS} is off	—	f _{SYS} =f _H ~ f _H /64, f _H =f _{HXT}	—	128	—	t _{HXT}
			f _{SYS} =f _H ~ f _H /64, f _H =f _{HIRC}	—	16	—	t _{HIRC}
			f _{SYS} =f _{SUB} =f _{LXT}	—	1024	—	t _{LXT}
			f _{SYS} =f _{SUB} =f _{LIRC}	—	2	—	t _{LIRC}
	System Start-up Time Wake-up from Condition where f _{SYS} is on	—	f _{SYS} =f _H ~ f _H /64, f _H =f _{HXT} OR f _{HIRC}	—	2	—	t _H
			f _{SYS} =f _{SUB} =f _{LXT} OR f _{LIRC}	—	2	—	t _{SUB}
System Speed Switch Time FAST to Slow Mode or SLOW to FAST Mode	—	f _{HXT} switches from off → on	—	1024	—	t _{HXT}	
		f _{HIRC} switches from off → on	—	16	—	t _{HIRC}	
		f _{LXT} switches from off → on	—	1024	—	t _{LXT}	
t _{RSTD}	System Reset Delay Time Reset Source from Power-on Reset or LVR Hardware Reset	—	RR _{POR} =5V/ms	42	48	54	ms
	System Reset Delay Time LVRC/WDTC/RSTC Software Reset	—	—				
	System Reset Delay Time Reset Source from WDT Overflow or Reset pin reset	—	—	14	16	18	

- Notes:
- For the System Start-up time values, whether f_{SYS} is on or off depends upon the mode type and the chosen f_{SYS} system oscillator. Details are provided in the System Operating Modes section.
 - The time units, shown by the symbols t_{HXT}, t_{HIRC} etc. are the inverse of the corresponding frequency values as provided in the frequency tables. For example t_{HIRC}=1/f_{HIRC}, t_{SYS}=1/f_{SYS} etc.
 - If the LIRC is used as the system clock and if it is off when in the SLEEP Mode, then an additional LIRC start up time, t_{START}, as provided in the LIRC frequency table, must be added to the t_{SST} time in the table above.
 - The System Speed Switch Time is effectively the time taken for the newly activated oscillator to start up.

Input/Output Characteristics

Ta=25°C

Symbol	Parameter	Test Conditions		Min.	Typ.	Max.	Unit
		V _{DD}	Conditions				
V _{IL}	Input Low Voltage for I/O Ports or Input Pins	5V	—	0	—	1.5	V
		—	—	0	—	0.2V _{DD}	
	—	—	0	—	0.4V _{DD}		
V _{IH}	Input High Voltage for I/O Ports or Input Pins	5V	—	3.5	—	5.0	V
		—	—	0.8V _{DD}	—	V _{DD}	
	—	—	0.9V _{DD}	—	V _{DD}		
I _{OL}	Sink Current for I/O Pins	3V	V _{OL} =0.1V _{DD}	16	32	—	mA
		5V		32	64	—	
I _{OH}	Source Current for I/O Pins	3V	V _{OH} =0.9V _{DD} , SLEDCn[m+1:m]=00, n=0, 1, 2, 3 or 4, m=0, 2, 4 or 6	-0.7	-1.5	—	mA
		5V		-1.5	-2.9	—	
		3V	V _{OH} =0.9V _{DD} , SLEDCn[m+1:m]=01, n=0, 1, 2, 3 or 4, m=0, 2, 4 or 6	-1.3	-2.5	—	
		5V		-2.5	-5.1	—	
		3V	V _{OH} =0.9V _{DD} , SLEDCn[m+1:m]=10, n=0, 1, 2, 3 or 4, m=0, 2, 4 or 6	-1.8	-3.6	—	
		5V		-3.6	-7.3	—	
		3V	V _{OH} =0.9V _{DD} , SLEDCn[m+1:m]=11, n=0, 1, 2, 3 or 4, m=0, 2, 4 or 6	-4.0	-8.0	—	
		5V		-8.0	-16.0	—	
R _{PH}	Pull-high Resistance for I/O Ports ^(Note)	3V	—	20	60	100	kΩ
		5V	—	10	30	50	
I _{LEAK}	Input leakage current	5V	V _{IN} =V _{DD} or V _{IN} =V _{SS}	—	—	±1	μA
t _{TPI}	TM Capture Input Minimum Pulse Width	—	—	0.3	—	—	μs
t _{TCK}	TM Clock Input Minimum Pulse Width	—	—	0.3	—	—	μs
t _{INT}	Interrupt Input Pin Minimum Pulse Width	—	—	10	—	—	μs
t _{RES}	External Reset Pin Minimum Pulse Width	—	—	10	—	—	μs
t _{SRESET}	Minimum Software Reset Pulse Width to Reset	—	—	45	90	120	μs

Note: The R_{PH} internal pull high resistance value is calculated by connecting to ground and enabling the input pin with a pull-high resistor and then measuring the input sink current at the specified supply voltage level. Dividing the voltage by this measured current provides the R_{PH} value.

Memory Characteristics

Ta= -40°C~85°C

Symbol	Parameter	Test Conditions		Min.	Typ.	Max.	Unit
		V _{DD}	Conditions				
V _{RW}	V _{DD} for Read / Write	—	—	V _{DDmin}	—	V _{DDmax}	V
Flash Program / Data EEPROM Memory							
t _{DEW}	Erase / Write cycle time – Flash Program Memory	—	—	—	2	3	ms
	Write cycle time – Data EEPROM Memory	—	—	—	4	6	
I _{DDPGM}	Programming / Erase current on V _{DD}	—	—	—	—	5.0	mA
E _P	Cell Endurance – Flash Program Memory	—	—	10K	—	—	E/W
	Cell Endurance – Data EEPROM Memory	—	—	100K	—	—	E/W
t _{RETD}	ROM Data Retention time	—	Ta=25°C	—	40	—	Year
RAM Data Memory							
V _{DR}	RAM Data Retention voltage	—	Device in SLEEP Mode	1.0	—	—	V

LVD/LVR Electrical Characteristics

Ta=25°C

Symbol	Parameter	Test Conditions		Min.	Typ.	Max.	Unit
		V _{DD}	Conditions				
V _{LVR}	Low Voltage Reset Voltage	—	LVR enabled, voltage select 2.1V	-5%	2.1	+5%	V
			LVR enabled, voltage select 2.55V		2.55		
			LVR enabled, voltage select 3.15V		3.15		
			LVR enabled, voltage select 3.8V		3.8		
V _{LVD}	Low Voltage Detect Voltage	—	LVD enabled, voltage select 2.0V	-5%	2.0	+5%	V
			LVD enabled, voltage select 2.2V		2.2		
			LVD enabled, voltage select 2.4V		2.4		
			LVD enabled, voltage select 2.7V		2.7		
			LVD enabled, voltage select 3.0V		3.0		
			LVD enabled, voltage select 3.3V		3.3		
			LVD enabled, voltage select 3.6V		3.6		
			LVD enabled, voltage select 4.0V		4.0		
I _{LVR}	Additional Current Consumption for LVR Enable	—	LVD disabled, VBGEN=0	—	—	25	μA
I _{LVD}	Additional Current Consumption for LVD Enable	—	LVR disabled, VBGEN=0	—	—	25	μA
t _{LVDS}	LVDO Stable Time	—	For LVR enable, VBGEN=0, LVD off → on	—	—	15	μs
		—	For LVR disable, VBGEN=0, LVD off → on	—	—	150	μs
t _{LVR}	Minimum Low Voltage Width to Reset	—	—	120	240	480	μs
t _{BGS}	V _{BG} Turn on Stable Time	—	No load	—	—	200	μs
t _{LVD}	Minimum Low Voltage Width to Interrupt	—	—	60	120	240	μs

A/D Converter Characteristics

Ta=25°C

Symbol	Parameter	Test Conditions		Min.	Typ.	Max.	Unit
		V _{DD}	Conditions				
V _{DD}	Operating Voltage	—	—	2.2	—	5.5	V
V _{ADI}	Input Voltage	—	—	0	—	V _{REF}	V
V _{REF}	Reference Voltage	—	—	2	—	V _{DD}	V
DNL	Differential Non-linearity	3V	V _{REF} =V _{DD} , t _{ADCK} =0.5μs or 10μs	—	—	±3	LSB
		5V					
INL	Integral Non-linearity	3V	V _{REF} =V _{DD} , t _{ADCK} =0.5μs or 10μs	—	—	±4	LSB
		5V					
I _{ADC}	Additional Current Consumption for A/D Converter Enable	3V	No load, t _{ADCK} =0.5μs	—	0.2	0.4	mA
		5V		—	0.3	0.6	
t _{ADCK}	Clock Period	—	—	0.5	—	10	μs
t _{ADS}	Sampling Time	—	—	—	4	—	t _{ADCK}
t _{ADC}	Conversion Time (Including A/D Sample and Hold Time)	—	—	—	16	—	t _{ADCK}
t _{ON2ST}	A/D Converter On-to-Start Time	—	—	4	—	—	μs
t _{START}	OPA Turn on Stable Time	—	No external load	—	—	22	μs
I _{PGA}	Additional Current Consumption for PGA Enable	3V	No load	—	300	450	μA
		5V		—	400	550	
V _{CM}	PGA Common Mode Voltage Range	3V	—	V _{SS}	—	V _{DD}	V
		5V		-0.3	—	-1.4	
V _{OR}	PGA Maximum Output Voltage Range	3V	—	V _{SS}	—	V _{DD}	V
		5V		+0.1	—	-0.1	
V _{VR}	PGA Fix Voltage Output	5V	Ta= 25°C	-1%	2	+1%	V
		5V	Ta= 25°C	-1%	3	+1%	V
		5V	Ta= 25°C	-1%	4	+1%	V

Comparator Electrical Characteristics

Ta=25°C

Symbol	Parameter	Test Conditions		Min.	Typ.	Max.	Unit
		V _{DD}	Conditions				
V _{DD}	Operating Voltage	—	—	2.2	—	5.5	V
I _{CMP}	Additional Current Consumption for Comparator Enable	3V 5V	CNVTn[1:0]=00	— —	— 1	3 3	μA
V _{OS}	Input Offset Voltage *	3V/5V	Without calibration, CNVTn[1:0]=00B, CnOF[4:0]=10000	-10	—	10	mV
		3V/5V	With calibration, CNVTn[1:0]=00B	-4	—	4	
V _{CM}	Common Mode Voltage Range	—	CNVTn[1:0]=00	V _{SS}	—	V _{DD} -1.4	V
A _{OL}	Open Loop Gain	3V	CNVTn[1:0]=00	60	—	—	dB
		5V		60	80	—	
V _{HYS}	Hysteresis	3V	CNVTn[1:0]=00	10	—	30	mV
		5V		10	24	30	
t _{RP}	Response Time	3V/5V	With 10mV overdrive, C _{LOAD} =3pF, CNVTn[1:0]=00	—	25	40	μs
			With 100mV overdrive, C _{LOAD} =3pF, CNVTn[1:0]=00	—	20	40	
		3V/5V	With 10mV overdrive, C _{LOAD} =3pF, CNVTn[1:0]=01	—	1.5	4	
			With 100mV overdrive, C _{LOAD} =3pF, CNVTn[1:0]=01	—	1.2	3	
		3V/5V	With 10mV overdrive, C _{LOAD} =3pF, CNVTn[1:0]=10	—	0.8	2	
			With 100mV overdrive, C _{LOAD} =3pF, CNVTn[1:0]=10	—	0.5	1.5	
		3V/5V	With 10mV overdrive, C _{LOAD} =3pF, CNVTn[1:0]=11	—	0.7	1.5	
			With 100mV overdrive, C _{LOAD} =3pF, CNVTn[1:0]=11	—	0.3	1	

Note: The input offset voltage should first be calibrated when the comparator operates with the compared threshold voltage level lower than 250mV. Otherwise, the input offset voltage will be out of specification.

LCD Driver Electrical Characteristics

Ta=25°C

Symbol	Parameter	Test Conditions		Min.	Typ.	Max.	Unit	
		V _{DD}	Conditions					
V _{IN}	LCD Operating Voltage	—	Power supply from PLCD, PLCD[3:0]=1xxxB (for R type)	3.0	—	5.5	V	
		—	Power supply from PLCD pin (for C type)	2.0	—	3.7		
		—	Power supply from V1 pin (for C type)	3.0	—	5.5		
		—	Power supply from V2 pin (for C type)	1.0	—	1.8		
		—	Power supply from VA (for C type)	3.0	—	5.5		
		—	Power supply from VB (for C type)	2.0	—	3.7		
		—	Power supply from VC (for C type)	-10%	1.04	+10%		
I _{LCD}	Additional Current for LCD Enabled – C type	3V	No load, VA=V1=V _{DD} , 1/3 bias	—	—	1	μA	
		5V		—	—	2		
	Additional Current for LCD Enabled – R type	3V	No load, R _T =1170kΩ, VA=PLCD=V _{DD} , 1/3 bias & 1/4 bias	—	10	15		
		5V		—	13.5	20		
		3V		No load, R _T =225kΩ, VA=PLCD=V _{DD} , 1/3 bias & 1/4 bias	—	16		28
		5V			—	21		40
		3V			No load, R _T =60kΩ, VA=PLCD=V _{DD} , 1/3 bias & 1/4 bias	—		50
5V	—	80	120					
I _{LCDOL}	LCD Common and Segment Sink Current	3V	No load, V _{OL} =0.1V _{DD}	210	420	—	μA	
		5V		350	700	—		
I _{LCDOH}	LCD Common and Segment Source Current	3V	No load, V _{OH} =0.9V _{DD}	-80	-160	—	μA	
		5V		-180	-360	—		

I²C Characteristics

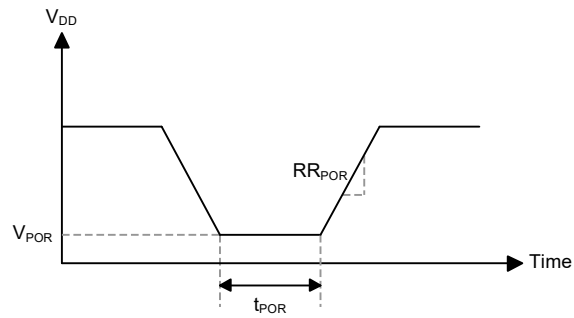
Ta=25°C

Symbol	Parameter	Test Condition		Min.	Typ.	Max.	Unit
		V _{DD}	Condition				
f _{I2C}	System Frequency for I ² C Standard Mode (100kHz)	—	No clock debounce	2	—	—	MHz
		—	2 system clocks debounce	4	—	—	
		—	4 system clocks debounce	8	—	—	
	System Frequency for I ² C Fast Mode (400kHz)	—	No clock debounce	5	—	—	MHz
		—	2 system clocks debounce	10	—	—	
		—	4 system clocks debounce	20	—	—	

Power-on Reset Characteristics

Ta=25°C

Symbol	Parameter	Test Conditions		Min.	Typ.	Max.	Unit
		V _{DD}	Conditions				
V _{POR}	V _{DD} Start Voltage to Ensure Power-on Reset	—	—	—	—	100	mV
RR _{POR}	V _{DD} Rising Rate to Ensure Power-on Reset	—	—	0.035	—	—	V/ms
t _{POR}	Minimum Time for V _{DD} Stays at V _{POR} to Ensure Power-on Reset	—	—	1	—	—	ms



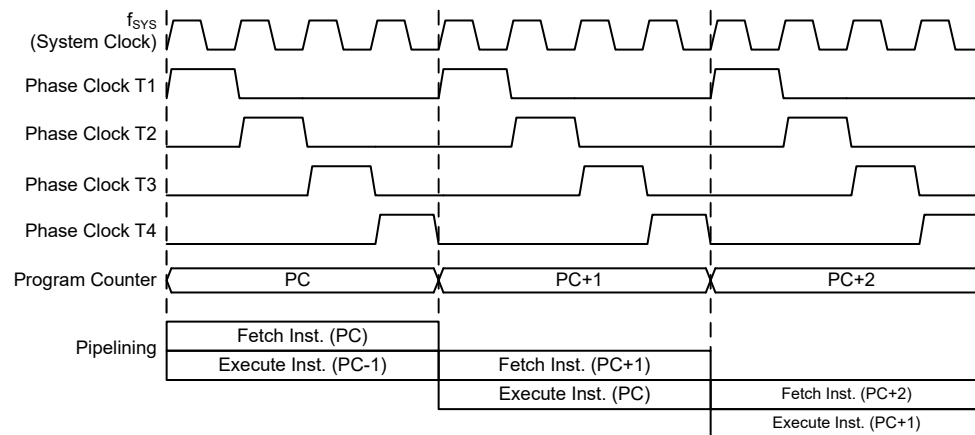
System Architecture

A key factor in the high-performance features of the Holtek range of microcontrollers is attributed to their internal system architecture. The range of devices take advantage of the usual features found within RISC microcontrollers providing increased speed of operation and enhanced performance. The pipelining scheme is implemented in such a way that instruction fetching and instruction execution are overlapped, hence instructions are effectively executed in one cycle, with the exception of branch or call instructions. An 8-bit wide ALU is used in practically all instruction set operations, which carries out arithmetic operations, logic operations, rotation, increment, decrement, branch decisions, etc. The internal data path is simplified by moving data through the Accumulator and the ALU. Certain internal registers are implemented in the Data Memory and can be directly or indirectly addressed. The simple addressing methods of these registers along with additional architectural features ensure that a minimum of external components is required to provide a functional I/O and A/D control system with maximum reliability and flexibility. This makes these devices suitable for low-cost, high-volume production for controller applications.

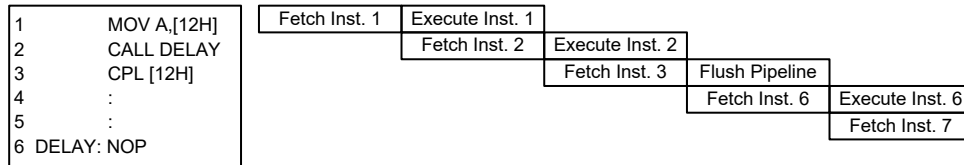
Clocking and Pipelining

The main system clock, derived from either a HXT, LXT, HIRC or LIRC oscillator is subdivided into four internally generated non-overlapping clocks, T1~T4. The Program Counter is incremented at the beginning of the T1 clock during which time a new instruction is fetched. The remaining T2~T4 clocks carry out the decoding and execution functions. In this way, one T1~T4 clock cycle forms one instruction cycle. Although the fetching and execution of instructions takes place in consecutive instruction cycles, the pipelining structure of the microcontroller ensures that instructions are effectively executed in one instruction cycle. The exception to this are instructions where the contents of the Program Counter are changed, such as subroutine calls or jumps, in which case the instruction will take one more instruction cycle to execute.

For instructions involving branches, such as jump or call instructions, two machine cycles are required to complete instruction execution. An extra cycle is required as the program takes one cycle to first obtain the actual jump or call address and then another cycle to actually execute the branch. The requirement for this extra cycle should be taken into account by programmers in timing sensitive applications.



System Clocking and Pipelining



Instruction Fetching

Program Counter

During program execution, the Program Counter is used to keep track of the address of the next instruction to be executed. It is automatically incremented by one each time an instruction is executed except for instructions, such as “JMP” or “CALL” that demand a jump to a non-consecutive Program Memory address. For devices with a Program Memory capacity in excess of 8K words, the Program Memory high byte address must be setup by selecting a certain program memory bank which is implemented using the program memory bank pointer bits, PBPn. Only the lower 8 bits, known as the Program Counter Low Register, are directly addressable by the application program.

When executing instructions requiring jumps to non-consecutive addresses such as a jump instruction, a subroutine call, interrupt or reset, etc., the microcontroller manages program control by loading the required address into the Program Counter. For conditional skip instructions, once the condition has been met, the next instruction, which has already been fetched during the present instruction execution, is discarded and a dummy cycle takes its place while the correct instruction is obtained.

Device	Program Counter	
	High Byte	Low Byte (PCL)
HT67F2350	PC12~PC8	PC7~PC0
HT67F2360	PBP0, PC12~PC8	PC7~PC0
HT67F2370	PBP1~PBP0, PC12~PC8	PC7~PC0
HT67F2390	PBP2~PBP0, PC12~PC8	PC7~PC0

Program Counter

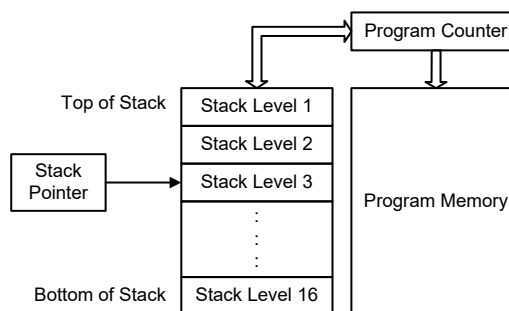
The lower byte of the Program Counter, known as the Program Counter Low register or PCL, is available for program control and is a readable and writeable register. By transferring data directly into this register, a short program jump can be executed directly; however, as only this low byte is available for manipulation, the jumps are limited to the present page of memory that is 256 locations. When such program jumps are executed it should also be noted that a dummy cycle will be inserted. Manipulating the PCL register may cause program branching, so an extra cycle is needed to pre-fetch.

Stack

This is a special part of the memory which is used to save the contents of the Program Counter only. The stack has multiple levels and is neither part of the data nor part of the program space, and is neither readable nor writeable. The activated level is indexed by the Stack Pointer, and is neither readable nor writeable. At a subroutine call or interrupt acknowledge signal, the contents of the Program Counter are pushed onto the stack. At the end of a subroutine or an interrupt routine, signaled by a return instruction, RET or RETI, the Program Counter is restored to its previous value from the stack. After a device reset, the Stack Pointer will point to the top of the stack.

If the stack is full and an enabled interrupt takes place, the interrupt request flag will be recorded but the acknowledge signal will be inhibited. When the Stack Pointer is decremented, by RET or RETI, the interrupt will be serviced. This feature prevents stack overflow allowing the programmer to use the structure more easily. However, when the stack is full, a CALL subroutine instruction can still be executed which will result in a stack overflow. Precautions should be taken to avoid such cases which might cause unpredictable program branching.

If the stack is overflow, the first Program Counter save in the stack will be lost.



Arithmetic and Logic Unit – ALU

The arithmetic-logic unit or ALU is a critical area of the microcontroller that carries out arithmetic and logic operations of the instruction set. Connected to the main microcontroller data bus, the ALU receives related instruction codes and performs the required arithmetic or logical operations after which the result will be placed in the specified register. As these ALU calculation or operations may result in carry, borrow or other status changes, the status register will be correspondingly updated to reflect these changes. The ALU supports the following functions:

- Arithmetic operations:
ADD, ADDM, ADC, ADCM, SUB, SUBM, SBC, SBCM, DAA
LADD, LADDM, LADC, LADCM, LSUB, LSUBM, LSBC, LSBCM, LDAA
- Logic operations:
AND, OR, XOR, ANDM, ORM, XORM, CPL, CPLA
LAND, LOR, LXOR, LANDM, LORM, LXORM, LCPL, LCPLA
- Rotation:
RRA, RR, RRCA, RRC, RLA, RL, RLCA, RLC
LRR, LRRCA, LRRC, LRLA, LRL, LRLCA, LRLC
- Increment and Decrement:
INCA, INC, DECA, DEC
LINCA, LINC, LDECA, LDEC
- Branch decision:
JMP, SZ, SZA, SNZ, SIZ, SDZ, SIZA, SDZA, CALL, RET, RETI
LSZ, LSZA, LSNZ, LSIZ, LSDZ, LSIZA, LSDZA

Flash Program Memory

The Program Memory is the location where the user code or program is stored. For these devices series the Program Memory are Flash type, which means it can be programmed and re-programmed a large number of times, allowing the user the convenience of code modification on the same device. By using the appropriate programming tools, these Flash devices offer users the flexibility to conveniently debug and develop their applications while also offering a means of field programming and updating.

Device	Capacity	Banks
HT67F2350	8K × 16	—
HT67F2360	16K × 16	0~1
HT67F2370	32K × 16	0~3
HT67F2390	64K × 16	0~7

Structure

The Program Memory has a capacity of 8K×16 to 64K×16 bits. The Program Memory is addressed by the Program Counter and also contains data, table information and interrupt entries. Table data, which can be setup in any location within the Program Memory, is addressed by a separate table pointer registers.

Special Vectors

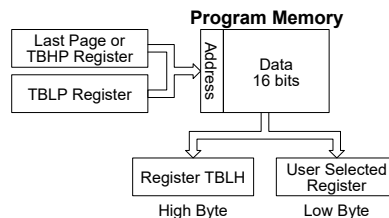
Within the Program Memory, certain locations are reserved for the reset and interrupts. The location 000H is reserved for use by these devices reset for program initialisation. After a device reset is initiated, the program will jump to this location and begin execution.

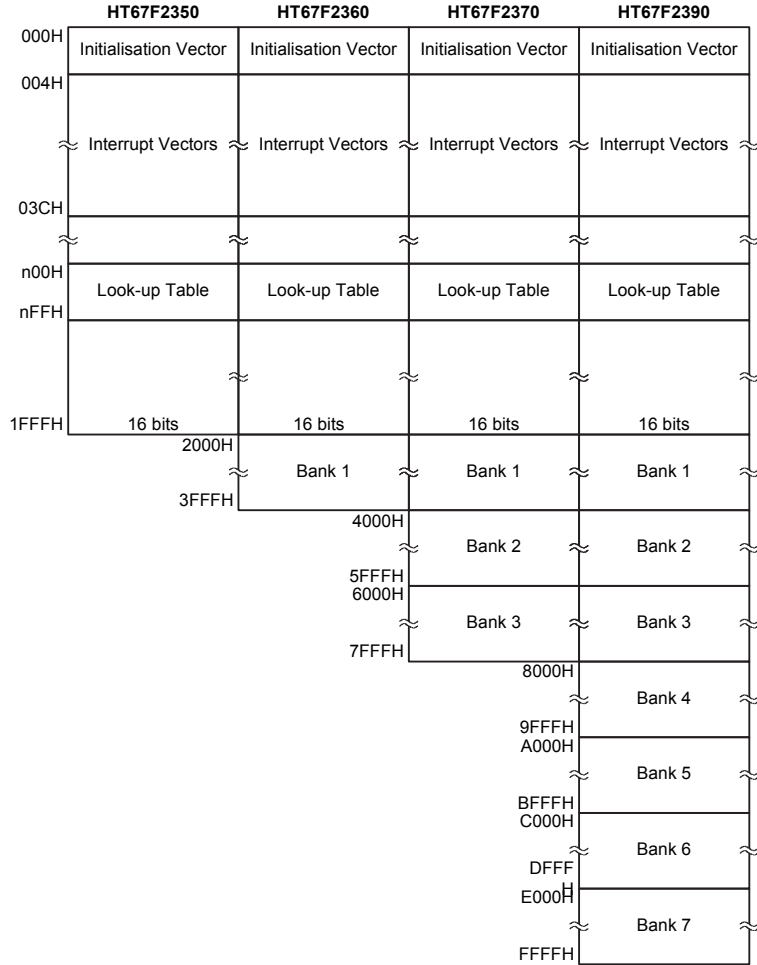
Look-up Table

Any location within the Program Memory can be defined as a look-up table where programmers can store fixed data. To use the look-up table, the table pointer must first be setup by placing the address of the look up data to be retrieved in the table pointer register, TBLP and TBHP. These registers define the total address of the look-up table.

After setting up the table pointer, the table data can be retrieved from the Program Memory using the "TABRD [m]" or "TABRDL [m]" instructions respectively when the memory [m] is located in sector 0. If the memory [m] is located in other sectors except sector 0, the data can be retrieved from the program memory using the corresponding extended table read instruction such as "LTABRD [m]" or "LTABRDL [m]" respectively. When the instruction is executed, the lower order table byte from the Program Memory will be transferred to the user defined Data Memory register [m] as specified in the instruction. The higher order table data byte from the Program Memory will be transferred to the TBLH special register. Any unused bits in this transferred higher order byte will be read as "0".

The accompanying diagram illustrates the addressing data flow of the look-up table.





Program Memory Structure

Table Program Example

The accompanying example shows how the table pointer and table data is defined and retrieved from the device. This example uses raw table data located in the last page which is stored there using the ORG statement. The value at this ORG statement is "1F00H" which refers to the start address of the last page within the 8K Program Memory of the device. The table pointer low byte register is setup here to have an initial value of "06H". This will ensure that the first data read from the data table will be at the Program Memory address "1F06H" or 6 locations after the start of the last page. Note that the value for the table pointer is referenced to the first address of the present page pointed by the TBHP register if the "TABRD [m]" instruction is being used. The high byte of the table data which in this case is equal to zero will be transferred to the TBLH register automatically when the "TABRD [m]" instruction is executed.

Because the TBLH register is a read/write register and can be restored, care should be taken to ensure its protection if both the main routine and Interrupt Service Routine use table read instructions. If using the table read instructions, the Interrupt Service Routines may change the value of the TBLH and subsequently cause errors if used again by the main routine. As a rule it is recommended that simultaneous use of the table read instructions should be avoided. However, in situations where simultaneous use cannot be avoided, the interrupts should be disabled prior to the execution of any main routine table-read instructions. Note that all table related instructions require two instruction cycles to complete their operation.

Table Read Program Example

```
tempreg1 db ?      ; temporary register #1
tempreg2 db ?      ; temporary register #2
:
mov a,06h          ; initialise low table pointer - note that this address is referenced
mov tblp,a         ; to the last page or the page that tbhp pointed
mov a,1fh          ; initialise high table pointer
mov tbhp,a
:
tabrd tempreg1     ; transfers value in table referenced by table pointer data at program
                  ; memory address "1F06H" transferred to tempreg1 and TBLH
dec tblp           ; reduce value of table pointer by one
tabrd tempreg2     ; transfers value in table referenced by table pointer data at program
                  ; memory address "1F05H" transferred to tempreg2 and TBLH in this
                  ; example the data "1AH" is transferred to tempreg1 and data "0FH" to
                  ; register tempreg2
:
org 1F00h          ; sets initial address of program memory
dc 00Ah, 00Bh, 00Ch, 00Dh, 00Eh, 00Fh, 01Ah, 01Bh
:
```


In Circuit Programming – ICP

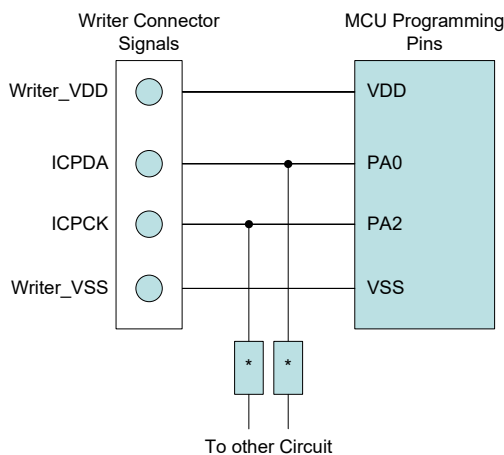
The provision of Flash type Program Memory provides the user with a means of convenient and easy upgrades and modifications to their programs on the same device.

As an additional convenience, Holtek has provided a means of programming the microcontroller in-circuit using a 4-pin interface. This provides manufacturers with the possibility of manufacturing their circuit boards complete with a programmed or un-programmed microcontroller, and then programming or upgrading the program at a later stage. This enables product manufacturers to easily keep their manufactured products supplied with the latest program releases without removal and re-insertion of the device.

Holtek Writer Pins	MCU Programming Pins	Pin Description
ICPDA	PA0	Programming Serial Data/Address
ICPCK	PA2	Programming Clock
VDD	VDD	Power Supply
VSS	VSS	Ground

The Program Memory can be programmed serially in-circuit using this 4-wire interface. Data is downloaded and uploaded serially on a single pin with an additional line for the clock. Two additional lines are required for the power supply. The technical details regarding the in-circuit programming of the device are beyond the scope of this document and will be supplied in supplementary literature.

During the programming process, the user must take care of the ICPDA and ICPCK pins for data and clock programming purposes to ensure that no other outputs are connected to these two pins.



Note: * may be resistor or capacitor. The resistance of * must be greater than 1k or the capacitance of * must be less than 1nF.

On-Chip Debug Support – OCDS

There is an EV chip named HT67V23x0 which is used to emulate the real MCU device named HT67F23x0. The EV chip device also provides the "On-Chip Debug" function to debug the real MCU device during development process. The EV chip and real MCU devices, HT67V23x0 and HT67F23x0, are almost functional compatible except the "On-Chip Debug" function. Users can use the EV chip device to emulate the real MCU device behaviors by connecting the OCSDSA and OCDSCK pins to the Holtek HT-IDE development tools. The OCSDSA pin is the OCDS Data/Address input/output pin while the OCDSCK pin is the OCDS clock input pin. When users use the EV chip device for debugging, the corresponding pin functions shared with the OCSDSA and OCDSCK pins in the real MCU device will have no effect in the EV chip. However, the two OCDS pins which are pin-shared with the ICP programming pins are still used as the Flash Memory programming pins for ICP. For more detailed OCDS information, refer to the corresponding document named "Holtek e-Link for 8-bit MCU OCDS User's Guide".

Holtek e-Link Pins	EV Chip OCDS Pins	Pin Description
OCSDSA	OCSDSA	On-Chip Debug Support Data/Address input/output
OCDSCK	OCDSCK	On-Chip Debug Support Clock input
VDD	VDD, AVDD	Power Supply
VSS	VSS, AVSS	Ground

In Application Programming – IAP

These devices offer IAP function to update data or application program to flash ROM. Users can define any ROM location for IAP, but there are some features which user must notice in using IAP function.

Configurations	HT67F2350	HT67F2360/HT67F2370	HT67F2390
Erase Page	32 words / page	64 words / page	128 words / page
Writing Word	32 words / time	64 words / time	128 words / time
Reading Word	1 word / time	1 word / time	1 word / time

In Application Programming Control Registers

The Address register, FARL and FARH, the Data registers, FD0L/FD0H, FD1L/FD1H, FD2L/FD2H and FD3L/FD3H, and the Control registers, FC0, FC1 and FC2, are the corresponding Flash access registers located in Data Memory sector 0 and sector 1 respectively for IAP. If using the indirect addressing method to access the FC0, FC1 and FC2 registers, all read and write operations to the registers must be performed using the Indirect Addressing Register, IAR1 or IAR2, and the Memory Pointer pair, MP1L/MP1H or MP2L/MP2H. Because the FC0, FC1 and FC2 control registers are located at the address of 43H~45H in Data Memory sector 1, the desired value ranged from 43H to 45H must first be written into the MP1L or MP2L Memory Pointer low byte and the value "01H" must also be written into the MP1H or MP2H Memory Pointer high byte.

Register Name	Bit							
	7	6	5	4	3	2	1	0
FC0	CFWEN	FMOD2	FMOD1	FMOD0	FWPEN	FWT	FRDEN	FRD
FC1	D7	D6	D5	D4	D3	D2	D1	D0
FC2	—	—	—	—	—	—	—	CLWB
FARL	A7	A6	A5	A4	A3	A2	A1	A0
FARH (HT67F2350)	—	—	—	A12	A11	A10	A9	A8
FARH (HT67F2360)	—	—	A13	A12	A11	A10	A9	A8
FARH (HT67F2370)	—	A14	A13	A12	A11	A10	A9	A8
FARH (HT67F2390)	A15	A14	A13	A12	A11	A10	A9	A8
FD0L	D7	D6	D5	D4	D3	D2	D1	D0
FD0H	D15	D14	D13	D12	D11	D10	D9	D8
FD1L	D7	D6	D5	D4	D3	D2	D1	D0
FD1H	D15	D14	D13	D12	D11	D10	D9	D8
FD2L	D7	D6	D5	D4	D3	D2	D1	D0
FD2H	D15	D14	D13	D12	D11	D10	D9	D8
FD3L	D7	D6	D5	D4	D3	D2	D1	D0
FD3H	D15	D14	D13	D12	D11	D10	D9	D8

IAP Registers List

• FC0 Register

Bit	7	6	5	4	3	2	1	0
Name	CFWEN	FMOD2	FMOD1	FMOD0	FWPEN	FWT	FRDEN	FRD
R/W	R/W	R/W	R/W	R/W	R/W	R/W	R/W	R/W
POR	0	0	0	0	0	0	0	0

- Bit 7 **CFWEN**: Flash Memory Write enable control
 0: Flash memory write function is disabled
 1: Flash memory write function has been successfully enabled
 When this bit is cleared to 0 by application program, the Flash memory write function is disabled. Note that writing a "1" into this bit results in no action. This bit is used to indicate that the Flash memory write function status. When this bit is set to 1 by hardware, it means that the Flash memory write function is enabled successfully. Otherwise, the Flash memory write function is disabled as the bit content is zero.
- Bit 6~4 **FMOD2~FMOD0**: Mode selection
 000: Write program memory
 001: Page erase program memory
 010: Reserved
 011: Read program memory
 10x: Reserved
 110: FWEN mode – Flash memory Write function Enabled mode
 111: Reserved
- Bit 3 **FWPEN**: Flash memory Write Procedure Enable control
 0: Disable
 1: Enable
 When this bit is set to 1 and the FMOD field is set to "110", the IAP controller will execute the "Flash memory write function enable" procedure. Once the Flash memory write function is successfully enabled, it is not necessary to set the FWPEN bit any more.

- Bit 2 **FWT**: Flash memory Write Initiate control
 0: Do not initiate Flash memory write or Flash memory write process is completed
 1: Initiate Flash memory write process
 This bit is set by software and cleared by hardware when the Flash memory write process is completed.
- Bit 1 **FRDEN**: Flash memory Read Enable control
 0: Flash memory read disable
 1: Flash memory read enable
- Bit 0 **FRD**: Flash memory Read Initiate control
 0: Do not initiate Flash memory read or Flash memory read process is completed
 1: Initiate Flash memory read process
 This bit is set by software and cleared by hardware when the Flash memory read process is completed.

• **FC1 Register**

Bit	7	6	5	4	3	2	1	0
Name	D7	D6	D5	D4	D3	D2	D1	D0
R/W	R/W	R/W	R/W	R/W	R/W	R/W	R/W	R/W
POR	0	0	0	0	0	0	0	0

- Bit 7~0 **D7~D0**: Whole chip reset pattern
 When user writes a specific value of "55H" to this register, it will generate a reset signal to reset whole chip.

• **FC2 Register**

Bit	7	6	5	4	3	2	1	0
Name	—	—	—	—	—	—	—	CLWB
R/W	—	—	—	—	—	—	—	R/W
POR	—	—	—	—	—	—	—	0

- Bit 7~1 Unimplemented, read as "0"
- Bit 0 **CLWB**: Flash memory Write Buffer Clear control
 0: Do not initiate Write Buffer Clear process or Write Buffer Clear process is completed
 1: Initiate Write Buffer Clear process
 This bit is set by software and cleared by hardware when the Write Buffer Clear process is completed.

• **FARL Register**

Bit	7	6	5	4	3	2	1	0
Name	A7	A6	A5	A4	A3	A2	A1	A0
R/W	R/W	R/W	R/W	R/W	R/W	R/W	R/W	R/W
POR	0	0	0	0	0	0	0	0

- Bit 7~0 Flash Memory Address bit 7 ~ bit 0

• **FARH Register – HT67F2350**

Bit	7	6	5	4	3	2	1	0
Name	—	—	—	A12	A11	A10	A9	A8
R/W	—	—	—	R/W	R/W	R/W	R/W	R/W
POR	—	—	—	0	0	0	0	0

- Bit 7~5 Unimplemented, read as "0"
- Bit 4~0 Flash Memory Address bit 12 ~ bit 8

• **FARH Register – HT67F2360**

Bit	7	6	5	4	3	2	1	0
Name	—	—	A13	A12	A11	A10	A9	A8
R/W	—	—	R/W	R/W	R/W	R/W	R/W	R/W
POR	—	—	0	0	0	0	0	0

Bit 7~6 Unimplemented, read as "0"

Bit 5~0 Flash Memory Address bit 13 ~ bit 8

• **FARH Register – HT67F2370**

Bit	7	6	5	4	3	2	1	0
Name	—	A14	A13	A12	A11	A10	A9	A8
R/W	—	R/W	R/W	R/W	R/W	R/W	R/W	R/W
POR	—	0	0	0	0	0	0	0

Bit 7 Unimplemented, read as "0"

Bit 6~0 Flash Memory Address bit 14 ~ bit 8

• **FARH Register – HT67F2390**

Bit	7	6	5	4	3	2	1	0
Name	A15	A14	A13	A12	A11	A10	A9	A8
R/W	R/W	R/W	R/W	R/W	R/W	R/W	R/W	R/W
POR	0	0	0	0	0	0	0	0

Bit 7~0 Flash Memory Address bit 15 ~ bit 8

• **FD0L Register**

Bit	7	6	5	4	3	2	1	0
Name	D7	D6	D5	D4	D3	D2	D1	D0
R/W	R/W	R/W	R/W	R/W	R/W	R/W	R/W	R/W
POR	0	0	0	0	0	0	0	0

Bit 7~0 The first Flash Memory data bit 7 ~ bit 0

Note that the data written into the low byte data register FD0L will only be stored in the FD0L register and not be loaded into the lower 8-bit write buffer.

• **FD0H Register**

Bit	7	6	5	4	3	2	1	0
Name	D15	D14	D13	D12	D11	D10	D9	D8
R/W	R/W	R/W	R/W	R/W	R/W	R/W	R/W	R/W
POR	0	0	0	0	0	0	0	0

Bit 7~0 The first Flash Memory data bit 15 ~ bit 8

Note that when the 8-bit data is written into the high byte data register FD0H, the whole 16-bit data stored in the FD0H and FD0L registers will simultaneously be loaded into the 16-bit write buffer and then the content of the Flash Memory address register pair, FARH and FARL, will be incremented by one.

• **FD1L Register**

Bit	7	6	5	4	3	2	1	0
Name	D7	D6	D5	D4	D3	D2	D1	D0
R/W	R/W	R/W	R/W	R/W	R/W	R/W	R/W	R/W
POR	0	0	0	0	0	0	0	0

Bit 7~0 The second Flash Memory data bit 7 ~ bit 0

• **FD1H Register**

Bit	7	6	5	4	3	2	1	0
Name	D15	D14	D13	D12	D11	D10	D9	D8
R/W	R/W	R/W	R/W	R/W	R/W	R/W	R/W	R/W
POR	0	0	0	0	0	0	0	0

Bit 7~0 The second Flash Memory data bit 15 ~ bit 8

• **FD2L Register**

Bit	7	6	5	4	3	2	1	0
Name	D7	D6	D5	D4	D3	D2	D1	D0
R/W	R/W	R/W	R/W	R/W	R/W	R/W	R/W	R/W
POR	0	0	0	0	0	0	0	0

Bit 7~0 The third Flash Memory data bit 7 ~ bit 0

• **FD2H Register**

Bit	7	6	5	4	3	2	1	0
Name	D15	D14	D13	D12	D11	D10	D9	D8
R/W	R/W	R/W	R/W	R/W	R/W	R/W	R/W	R/W
POR	0	0	0	0	0	0	0	0

Bit 7~0 The third Flash Memory data bit 15 ~ bit 8

• **FD3L Register**

Bit	7	6	5	4	3	2	1	0
Name	D7	D6	D5	D4	D3	D2	D1	D0
R/W	R/W	R/W	R/W	R/W	R/W	R/W	R/W	R/W
POR	0	0	0	0	0	0	0	0

Bit 7~0 The fourth Flash Memory data bit 7 ~ bit 0

• **FD3H Register**

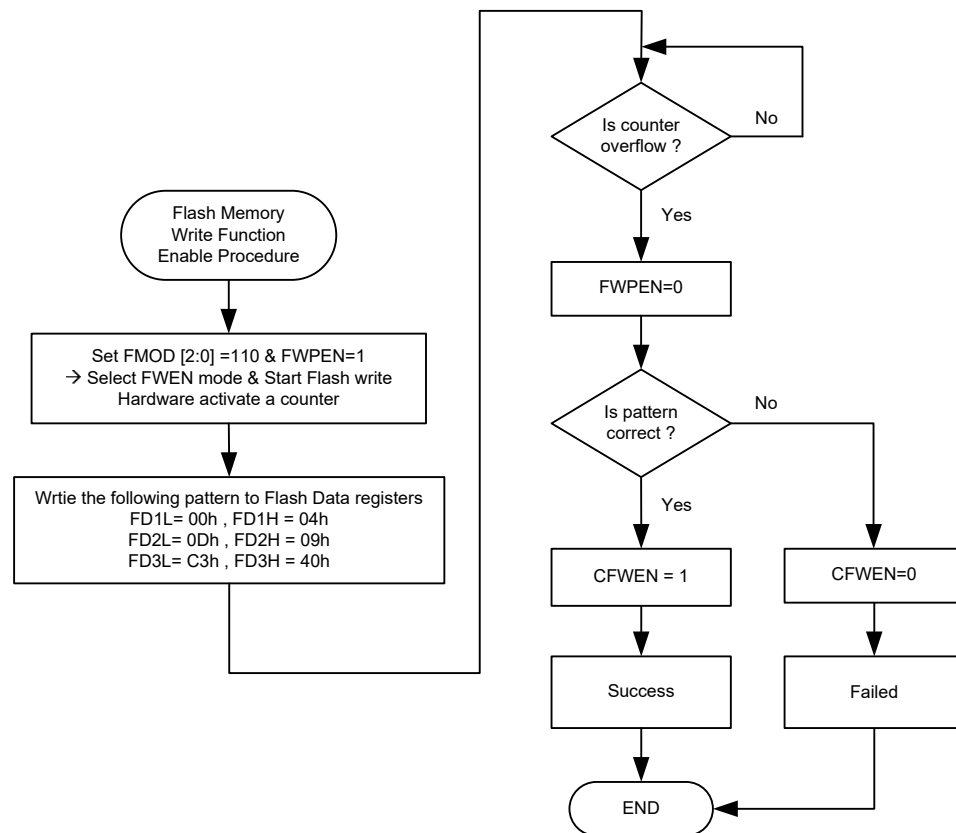
Bit	7	6	5	4	3	2	1	0
Name	D15	D14	D13	D12	D11	D10	D9	D8
R/W	R/W	R/W	R/W	R/W	R/W	R/W	R/W	R/W
POR	0	0	0	0	0	0	0	0

Bit 7~0 The fourth Flash Memory data bit 15 ~ bit 8

Flash Memory Write Function Enable Procedure

In order to allow users to change the Flash memory data through the IAP control registers, users must first enable the Flash memory write operation by the following procedure:

- Step 1. Write "110" into the FMOD2~FMOD0 bits to select the FWEN mode.
- Step 2. Set the FWPEN bit to "1". The step 1 and step 2 can be executed simultaneously.
- Step 3. The pattern data with a sequence of 00H, 04H, 0DH, 09H, C3H and 40H must be written into the FD1L, FD1H, FD2L, FD2H, FD3L and FD3H registers respectively.
- Step 4. A counter with a time-out period of 300μs will be activated to allow users writing the correct pattern data into the FD1L/FD1H ~ FD3L/FD3H register pairs. The counter clock is derived from the LIRC oscillator.
- Step 5. If the counter overflows or the pattern data is incorrect, the Flash memory write operation will not be enabled and users must again repeat the above procedure. Then the FWPEN bit will automatically be cleared to 0 by hardware.
- Step 6. If the pattern data is correct before the counter overflows, the Flash memory write operation will be enabled and the FWPEN bit will automatically be cleared to 0 by hardware. The CFWEN bit will also be set to 1 by hardware to indicate that the Flash memory write operation is successfully enabled.
- Step 7. Once the Flash memory write operation is enabled, the user can change the Flash ROM data through the Flash control register.
- Step 8. To disable the Flash memory write operation, the user can clear the CFWEN bit to 0.



Flash Memory Write Function Enable Procedure

Flash Memory Read/Write Procedure

After the Flash memory write function is successfully enabled through the preceding IAP procedure, users must first erase the corresponding Flash memory block or page and then initiate the Flash memory write operation. For these devices the number of the page erase operation is 32, 64 and 128 words per page respectively, the available page erase address is specified by FARH register and the content of FARL [7:5], FARL [7:6] and FARL [7] bit field respectively.

Erase Page	FARH	FARL [7:5]	FARL [4:0]
0	0000 0000	000	x xxxx
1	0000 0000	001	x xxxx
2	0000 0000	010	x xxxx
3	0000 0000	011	x xxxx
4	0000 0000	100	x xxxx
:	:	:	:
:	:	:	:
254	0001 1111	110	x xxxx
255	0001 1111	111	x xxxx

"x": don't care

HT67F2350 Erase Page Number and Selection

Erase Page	FARH	FARL [7:6]	FARL [5:0]
0	0000 0000	00	xx xxxx
1	0000 0000	01	xx xxxx
2	0000 0000	10	xx xxxx
3	0000 0000	11	xx xxxx
4	0000 0001	00	xx xxxx
:	:	:	:
:	:	:	:
254	0011 1111	10	xx xxxx
255	0011 1111	11	xx xxxx

"x": don't care

HT67F2360 Erase Page Number and Selection

Erase Page	FARH	FARL [7:6]	FARL [5:0]
0	0000 0000	00	xx xxxx
1	0000 0000	01	xx xxxx
2	0000 0000	10	xx xxxx
3	0000 0000	11	xx xxxx
4	0000 0001	00	xx xxxx
:	:	:	:
:	:	:	:
510	0111 1111	10	xx xxxx
511	0111 1111	11	xx xxxx

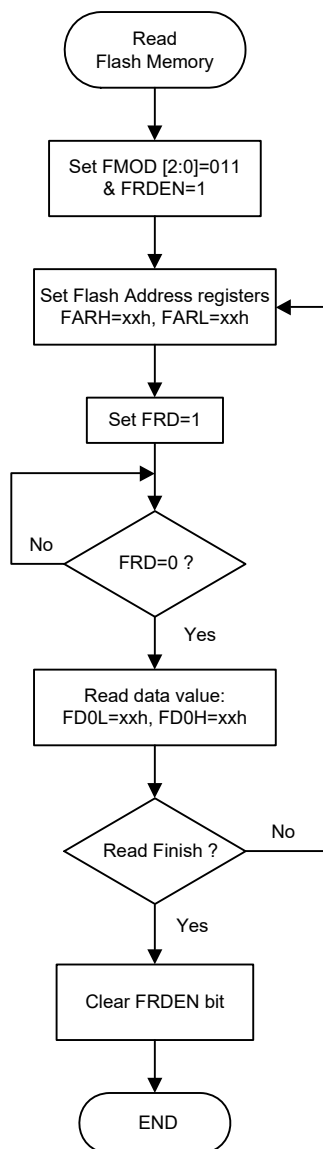
"x": don't care

HT67F2370 Erase Page Number and Selection

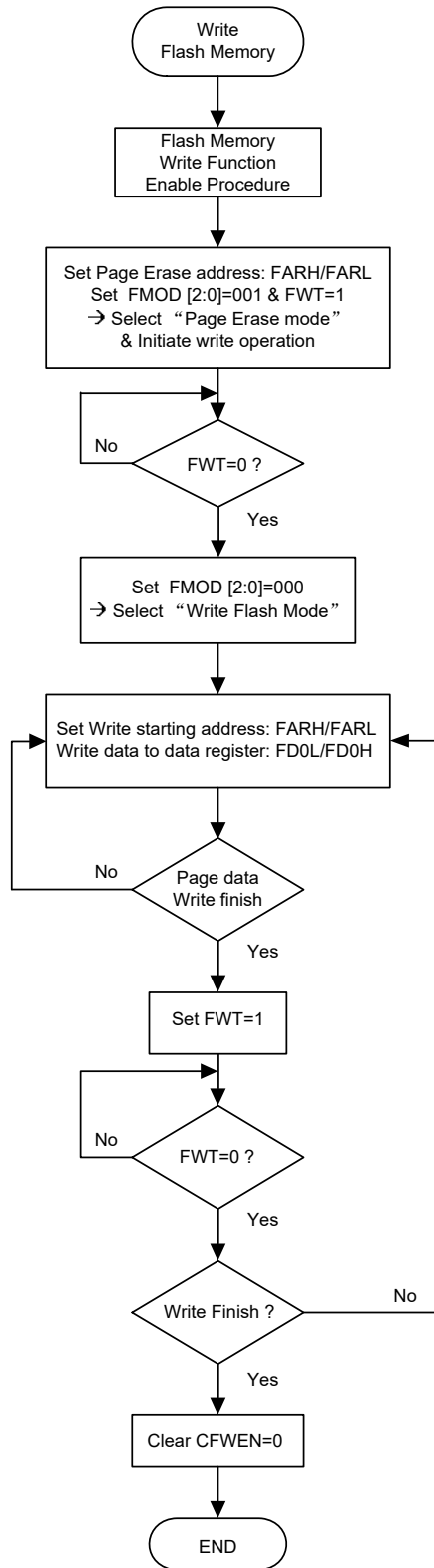
Erase Page	FARH	FARL [7]	FARL [6:0]
0	0000 0000	0	xxx xxxx
1	0000 0000	1	xxx xxxx
2	0000 0001	0	xxx xxxx
3	0000 0001	1	xxx xxxx
4	0000 0010	0	xxx xxxx
⋮	⋮	⋮	⋮
⋮	⋮	⋮	⋮
510	1111 1111	0	xxx xxxx
511	1111 1111	1	xxx xxxx

"x": don't care

HT67F2390 Erase Page Number and Selection



Read Flash Memory Procedure



Write Flash Memory Procedure

Note: When the FWT or FRD bit is set to 1, the MCU is stopped.

Data Memory

The Data Memory is an 8-bit wide RAM internal memory and is the location where temporary information is stored.

Divided into three types, the first of Data Memory is an area of RAM where special function registers are located. These registers have fixed locations and are necessary for correct operation of the device. Many of these registers can be read from and written to directly under program control, however, some remain protected from user manipulation. The second area of Data Memory is reserved for general purpose use. All locations within this area are read and write accessible under program control. The third area is reserved for the LCD Data Memory. This special area of Data Memory is mapped directly to the LCD display so data written into this memory area will directly affect the displayed data.

Switching between the different Data Memory sectors is achieved by properly setting the Memory Pointers to correct value.

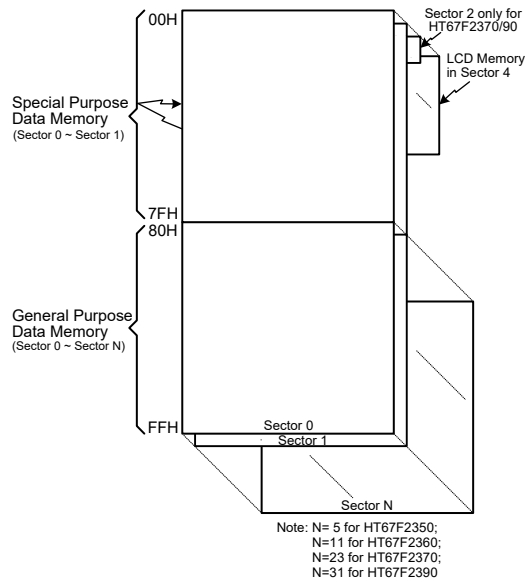
Structure

The Data Memory is subdivided into several sectors, all of which are implemented in 8-bit wide Memory. Each of the Data Memory sectors is generally categorized into two types, the Special Purpose Data Memory and the General Purpose Data Memory. However, the Data Memory Sector 4 is reserved for the LCD displayed data.

The address range of the Special Purpose Data Memory for the device is from 00H to 7FH while the General Purpose Data Memory address range is from 80H to FFH.

Device	Special Purpose Data Memory	LCD Data Memory		General Purpose Data Memory	
	Sectors	Capacity	Sector: Address	Capacity	Sector: Address
HT67F2350	0, 1	56 × 8	4: 00H~37H	768 × 8	0: 80H~FFH 1: 80H~FFH : 5: 80H~FFH
HT67F2360	0, 1	56 × 8	4: 00H~37H	1536 × 8	0: 80H~FFH 1: 80H~FFH : 11: 80H~FFH
HT67F2370	0, 1, 2	56 × 8	4: 00H~37H	3072 × 8	0: 80H~FFH 1: 80H~FFH : 23: 80H~FFH
HT67F2390	0, 1, 2	56 × 8	4: 00H~37H	4096 × 8	0: 80H~FFH 1: 80H~FFH : 31: 80H~FFH

Data Memory Summary



Data Memory Structure

Data Memory Addressing

For these devices that support the extended instructions, there is no Bank Pointer for Data Memory. The Bank Pointer, PBP, is only available for Program Memory. For Data Memory the desired Sector is pointed by the MP1H or MP2H register and the certain Data Memory address in the selected sector is specified by the MP1L or MP2L register when using indirect addressing access.

Direct Addressing can be used in all sectors using the corresponding instruction which can address all available data memory space. For the accessed data memory which is located in any data memory sectors except sector 0, the extended instructions can be used to access the data memory instead of using the indirect addressing access. The main difference between standard instructions and extended instructions is that the data memory address "m" in the extended instructions can be from 11 bits to 13 bits depending upon which device is selected, the high byte indicates a sector and the low byte indicates a specific address.

General Purpose Data Memory

All microcontroller programs require an area of read/write memory where temporary data can be stored and retrieved for use later. It is this area of RAM memory that is known as General Purpose Data Memory. This area of Data Memory is fully accessible by the user programming for both reading and writing operations. By using the bit operation instructions individual bits can be set or reset under program control giving the user a large range of flexibility for bit manipulation in the Data Memory.

Special Purpose Data Memory

This area of Data Memory is where registers, necessary for the correct operation of the microcontroller, are stored. Most of the registers are both readable and writeable but some are protected and are readable only, the details of which are located under the relevant Special Function Register section. Note that for locations that are unused, any read instruction to these addresses will return the value "00H".

	Sector 0	Sector 1		Sector 0	Sector 1
00H	IAR0	PTM0C0	40H	LVDC	EEC
01H	MP0	PTM0C1	41H	EEA	
02H	IAR1	PTM0DL	42H		
03H	MP1L	PTM0DH	43H	EED	FC0
04H	MP1H	PTM0AL	44H	CP0C	FC1
05H	ACC	PTM0AH	45H	CP1C	FC2
06H	PCL	PTM0RPL	46H	MF10	
07H	TBLP	PTM0RPH	47H	MF11	
08H	TBLH	STM0C0	48H	MF12	IFS0
09H	TBHP	STM0C1	49H	MF13	IFS1
0AH	STATUS	STM0DL	4AH	MF14	IFS2
0BH		STM0DH	4BH	MF15	
0CH	IAR2	STM0AL	4CH	MF16	IFS4
0DH	MP2L	STM0AH	4DH	MF17	PAS0
0EH	MP2H	STM0RP	4EH	MF18	PAS1
0FH	RSTFC		4FH	MF19	PBS0
10H	INTC0	U0SR	50H	LCDC0	PBS1
11H	INTC1	U0CR1	51H	LCDC1	PCS0
12H	INTC2	U0CR2	52H	LCDC2	PCS1
13H	INTC3	TXR_RXR0	53H	SLEDC0	PDS0
14H	PA	BRG0	54H	SLEDC1	PDS1
15H	PAC	U1SR	55H	SLEDC2	PES0
16H	PAPU	U1CR1	56H	SLEDC3	PES1
17H	PAWU	U1CR2	57H	SLEDC4	PFS0
18H	PB	TXR_RXR1	58H		PFS1
19H	PBC	BRG1	59H	MDUWR0	
1AH	PBPU	PTM1C0	5AH	MDUWR1	PGS1
1BH	PC	PTM1C1	5BH	MDUWR2	
1CH	PCC	PTM1DL	5CH	MDUWR3	
1DH	PCPU	PTM1DH	5DH	MDUWR4	PJS0
1EH	PD	PTM1AL	5EH	MDUWR5	PJS1
1FH	PDC	PTM1AH	5FH	MDUWCTRL	
20H	PDPU	PTM1RPL	60H	CP0VOS	PTM4C0
21H	PE	PTM1RPH	61H	CP1VOS	PTM4C1
22H	PEC	PTM2C0	62H		PTM4DL
23H	PEPU	PTM2C1	63H	PSC0R	PTM4DH
24H	PF	PTM2DL	64H	TB0C	PTM4AL
25H	PFC	PTM2DH	65H	TB1C	PTM4AH
26H	PFPU	PTM2AL	66H	PSC1R	PTM4RPL
27H	PG	PTM2AH	67H	SADOL	PTM4RPH
28H	PGC	PTM2RPL	68H	SADOH	PTM5C0
29H	PGPU	PTM2RPH	69H	SADC0	PTM5C1
2AH		PTM3C0	6AH	SADC1	PTM5DL
2BH		PTM3C1	6BH	SADC2	PTM5DH
2CH		PTM3DL	6CH	SIMC0	PTM5AL
2DH	PJ	PTM3DH	6DH	SIMC1	PTM5AH
2EH	PJC	PTM3AL	6EH	SIMD	PTM5RPL
2FH	PJPU	PTM3AH	6FH	SIMA/SIMC2	PTM5RPH
30H	CRCCR	PTM3RPL	70H	SIMTOC	PTM6C0
31H	CRCIN	PTM3RPH	71H	SPIAC0	PTM6C1
32H	CRCDL	STM1C0	72H	SPIAC1	PTM6DL
33H	CRCDH	STM1C1	73H	SPIAD	PTM6DH
34H	IECC	STM1DL	74H	FARL	PTM6AL
35H		STM1DH	75H	FARH	PTM6AH
36H	RSTC	STM1AL	76H	FD0L	PTM6RPL
37H	VBGRC	STM1AH	77H	FD0H	PTM6RPH
38H		STM1RP	78H	FD1L	PTM7C0
39H	INTEG	STM2C0	79H	FD1H	PTM7C1
3AH	SCC	STM2C1	7AH	FD2L	PTM7DL
3BH	HIRCC	STM2DL	7BH	FD2H	PTM7DH
3CH	HXTC	STM2DH	7CH	FD3L	PTM7AL
3DH	LXTC	STM2AL	7DH	FD3H	PTM7AH
3EH	WDTC	STM2AH	7EH		PTM7RPL
3FH	LVRC	STM2RP	7FH		PTM7RPH

□ : Unused, read as 00H

Special Purpose Data Memory Structure – HT67F2350

	Sector 0	Sector 1		Sector 0	Sector 1
00H	IAR0	PTM0C0	40H	LVDC	EEC
01H	MP0	PTM0C1	41H	EEA	
02H	IAR1	PTM0DL	42H		
03H	MP1L	PTM0DH	43H	EED	FC0
04H	MP1H	PTM0AL	44H	CP0C	FC1
05H	ACC	PTM0AH	45H	CP1C	FC2
06H	PCL	PTM0RPL	46H	MF10	
07H	TBLP	PTM0RPH	47H	MF11	
08H	TBLH	STM0C0	48H	MF12	IFS0
09H	TBHP	STM0C1	49H	MF13	IFS1
0AH	STATUS	STM0DL	4AH	MF14	IFS2
0BH	PBP	STM0DH	4BH	MF15	IFS3
0CH	IAR2	STM0AL	4CH	MF16	IFS4
0DH	MP2L	STM0AH	4DH	MF17	PAS0
0EH	MP2H	STM0RP	4EH	MF18	PAS1
0FH	RSTFC		4FH	MF19	PBS0
10H	INTC0	U0SR	50H	LCDC0	PBS1
11H	INTC1	U0CR1	51H	LCDC1	PCS0
12H	INTC2	U0CR2	52H	LCDC2	PCS1
13H	INTC3	TXR_RXR0	53H	SLEDC0	PDS0
14H	PA	BRG0	54H	SLEDC1	PDS1
15H	PAC	U1SR	55H	SLEDC2	PES0
16H	PAPU	U1CR1	56H	SLEDC3	PES1
17H	PAWU	U1CR2	57H	SLEDC4	PFS0
18H	PB	TXR_RXR1	58H		PFS1
19H	PBC	BRG1	59H	MDUWR0	PGS0
1AH	PBPU	PTM1C0	5AH	MDUWR1	PGS1
1BH	PC	PTM1C1	5BH	MDUWR2	PHS0
1CH	PCC	PTM1DL	5CH	MDUWR3	PHS1
1DH	PCPU	PTM1DH	5DH	MDUWR4	PJS0
1EH	PD	PTM1AL	5EH	MDUWR5	PJS1
1FH	PDC	PTM1AH	5FH	MDUWCTRL	
20H	PDPU	PTM1RPL	60H	CP0VOS	PTM4C0
21H	PE	PTM1RPH	61H	CP1VOS	PTM4C1
22H	PEC	PTM2C0	62H		PTM4DL
23H	PEPU	PTM2C1	63H	PSC0R	PTM4DH
24H	PF	PTM2DL	64H	TB0C	PTM4AL
25H	PFC	PTM2DH	65H	TB1C	PTM4AH
26H	PFPU	PTM2AL	66H	PSC1R	PTM4RPL
27H	PG	PTM2AH	67H	SADOL	PTM4RPH
28H	PGC	PTM2RPL	68H	SADOH	PTM5C0
29H	PGPU	PTM2RPH	69H	SADC0	PTM5C1
2AH	PH	PTM3C0	6AH	SADC1	PTM5DL
2BH	PHC	PTM3C1	6BH	SADC2	PTM5DH
2CH	PHPU	PTM3DL	6CH	SIMC0	PTM5AL
2DH	PJ	PTM3DH	6DH	SIMC1	PTM5AH
2EH	PJC	PTM3AL	6EH	SIMD	PTM5RPL
2FH	PJPU	PTM3AH	6FH	SIMA/SIMC2	PTM5RPH
30H	CRCCR	PTM3RPL	70H	SIMTOC	PTM6C0
31H	CRCIN	PTM3RPH	71H	SPIAC0	PTM6C1
32H	CRCDL	STM1C0	72H	SPIAC1	PTM6DL
33H	CRCDH	STM1C1	73H	SPIAD	PTM6DH
34H	IECC	STM1DL	74H	FARL	PTM6AL
35H		STM1DH	75H	FARH	PTM6AH
36H	RSTC	STM1AL	76H	FD0L	PTM6RPL
37H	VBGRC	STM1AH	77H	FD0H	PTM6RPH
38H		STM1RP	78H	FD1L	PTM7C0
39H	INTEG	STM2C0	79H	FD1H	PTM7C1
3AH	SCC	STM2C1	7AH	FD2L	PTM7DL
3BH	HIRCC	STM2DL	7BH	FD2H	PTM7DH
3CH	HXTC	STM2DH	7CH	FD3L	PTM7AL
3DH	LXTC	STM2AL	7DH	FD3H	PTM7AH
3EH	WDTC	STM2AH	7EH		PTM7RPL
3FH	LVRC	STM2RP	7FH		PTM7RPH

□ : Unused, read as 00H

Special Purpose Data Memory Structure – HT67F2360

	Sector 0	Sector 1	Sector 2		Sector 0	Sector 1
00H	IAR0	PTM0C0	U2SR	40H	LVDC	EEC
01H	MP0	PTM0C1	U2CR1	41H	EEAL	
02H	IAR1	PTM0DL	U2CR2	42H	EEAH	
03H	MP1L	PTM0DH	TXR_RXR2	43H	EED	FC0
04H	MP1H	PTM0AL	BRG2	44H	CP0C	FC1
05H	ACC	PTM0AH		45H	CP1C	FC2
06H	PCL	PTM0RPL		46H	MF10	
07H	TBLP	PTM0RPH		47H	MF11	
08H	TBLH	STM0C0		48H	MF12	IFS0
09H	TBHP	STM0C1		49H	MF13	IFS1
0AH	STATUS	STM0DL		4AH	MF14	IFS2
0BH	PBP	STM0DH		4BH	MF15	IFS3
0CH	IAR2	STM0AL		4CH	MF16	IFS4
0DH	MP2L	STM0AH		4DH	MF17	PAS0
0EH	MP2H	STM0RP		4EH	MF18	PAS1
0FH	RSTFC			4FH	MF19	PBS0
10H	INTC0	U0SR		50H	LCDC0	PBS1
11H	INTC1	U0CR1		51H	LCDC1	PCS0
12H	INTC2	U0CR2		52H	LCDC2	PCS1
13H	INTC3	TXR_RXR0		53H	SLEDC0	PDS0
14H	PA	BRG0		54H	SLEDC1	PDS1
15H	PAC	U1SR		55H	SLEDC2	PES0
16H	PAPU	U1CR1		56H	SLEDC3	PES1
17H	PAWU	U1CR2		57H	SLEDC4	PFS0
18H	PB	TXR_RXR1		58H		PFS1
19H	PBC	BRG1		59H	MDUWR0	PGS0
1AH	PBPU	PTM1C0		5AH	MDUWR1	PGS1
1BH	PC	PTM1C1		5BH	MDUWR2	PHS0
1CH	PCC	PTM1DL		5CH	MDUWR3	PHS1
1DH	PCPU	PTM1DH		5DH	MDUWR4	PJS0
1EH	PD	PTM1AL		5EH	MDUWR5	PJS1
1FH	PDC	PTM1AH		5FH	MDUWCTRL	
20H	PDPU	PTM1RPL		60H	CP0VOS	PTM4C0
21H	PE	PTM1RPH		61H	CP1VOS	PTM4C1
22H	PEC	PTM2C0		62H		PTM4DL
23H	PEPU	PTM2C1		63H	PSC0R	PTM4DH
24H	PF	PTM2DL		64H	TB0C	PTM4AL
25H	PFC	PTM2DH		65H	TB1C	PTM4AH
26H	PFPU	PTM2AL		66H	PSC1R	PTM4RPL
27H	PG	PTM2AH		67H	SADOL	PTM4RPH
28H	PGC	PTM2RPL		68H	SAD0H	PTM5C0
29H	PGPU	PTM2RPH		69H	SADC0	PTM5C1
2AH	PH	PTM3C0		6AH	SADC1	PTM5DL
2BH	PHC	PTM3C1		6BH	SADC2	PTM5DH
2CH	PHPU	PTM3DL		6CH	SIMC0	PTM5AL
2DH	PJ	PTM3DH		6DH	SIMC1	PTM5AH
2EH	PJC	PTM3AL		6EH	SIMD	PTM5RPL
2FH	PJPU	PTM3AH		6FH	SIMA/SIMC2	PTM5RPH
30H	CRCCR	PTM3RPL		70H	SIMTOC	PTM6C0
31H	CRCIN	PTM3RPH		71H	SPIAC0	PTM6C1
32H	CRCDL	STM1C0		72H	SPIAC1	PTM6DL
33H	CRCDH	STM1C1		73H	SPIAD	PTM6DH
34H	IECC	STM1DL		74H	FARL	PTM6AL
35H		STM1DH		75H	FARH	PTM6AH
36H	RSTC	STM1AL		76H	FD0L	PTM6RPL
37H	VBGRC	STM1AH		77H	FD0H	PTM6RPH
38H		STM1RP		78H	FD1L	PTM7C0
39H	INTEG	STM2C0		79H	FD1H	PTM7C1
3AH	SCC	STM2C1		7AH	FD2L	PTM7DL
3BH	HIRCC	STM2DL		7BH	FD2H	PTM7DH
3CH	HXTC	STM2DH		7CH	FD3L	PTM7AL
3DH	LXTC	STM2AL		7DH	FD3H	PTM7AH
3EH	WDTC	STM2AH		7EH		PTM7RPL
3FH	LVRC	STM2RP		7FH		PTM7RPH

□: Unused, read as 00H

Special Purpose Data Memory Structure – HT67F2370/HT67F2390

Special Function Register Description

Most of the Special Function Register details will be described in the relevant functional section. However, several registers require a separate description in this section.

Indirect Addressing Registers – IAR0, IAR1, IAR2

The Indirect Addressing Registers, IAR0, IAR1 and IAR2, although having their locations in normal RAM register space, do not actually physically exist as normal registers. The method of indirect addressing for RAM data manipulation uses these Indirect Addressing Registers and Memory Pointers, in contrast to direct memory addressing, where the actual memory address is specified. Actions on the IAR0, IAR1 and IAR2 registers will result in no actual read or write operation to these registers but rather to the memory location specified by their corresponding Memory Pointers, MP0, MP1L/MP1H or MP2L/MP2H. Acting as a pair, IAR0 and MP0 can together access data only from Sector 0 while the IAR1 register together with MP1L/MP1H register pair and IAR2 register together with MP2L/MP2H register pair can access data from any Data Memory sector. As the Indirect Addressing Registers are not physically implemented, reading the Indirect Addressing Registers indirectly will return a result of "00H" and writing to the registers indirectly will result in no operation.

Memory Pointers – MP0, MP1H/MP1L, MP2H/MP2L

Five Memory Pointers, known as MP0, MP1L, MP1H, MP2L and MP2H, are provided. These Memory Pointers are physically implemented in the Data Memory and can be manipulated in the same way as normal registers providing a convenient way with which to address and track data. When any operation to the relevant Indirect Addressing Registers is carried out, the actual address that the microcontroller is directed to is the address specified by the related Memory Pointer. MP0, together with Indirect Addressing Register, IAR0, are used to access data from Sector 0, while MP1L/MP1H together with IAR1 and MP2L/MP2H together with IAR2 are used to access data from all data sectors according to the corresponding MP1H or MP2H register. Direct Addressing can be used in all data sectors using the corresponding instruction which can address all available data memory space.

Indirect Addressing Program Example

- **Example 1**

```
data .section 'data'
adres1 db ?
adres2 db ?
adres3 db ?
adres4 db ?
block db ?
code .section at 0 code
org 00h
start:
mov a,04h           ; setup size of block
mov block,a
mov a,offset adres1 ; Accumulator loaded with first RAM address
mov mp0,a          ; setup memory pointer with first RAM address
loop:
clr IAR0           ; clear the data at address defined by MP0
inc mp0            ; increment memory pointer
sdz block          ; check if last memory location has been cleared
jmp loop
continue:
```


• **Example 2**

```
data .section 'data'
adres1 db ?
adres2 db ?
adres3 db ?
adres4 db ?
block db ?
code .section at 0 'code'
org 00h
start:
mov a,04h           ; setup size of block
mov block,a
mov a,01h           ; setup the memory sector
mov mp1h,a
mov a,offset adres1 ; Accumulator loaded with first RAM address
mov mp1l,a          ; setup memory pointer with first RAM address
loop:
clr IAR1            ; clear the data at address defined by MP1L
inc mp1l             ; increment memory pointer MP1L
sdz block           ; check if last memory location has been cleared
jmp loop
continue:
:
```

The important point to note here is that in the example shown above, no reference is made to specific RAM addresses.

Direct Addressing Program Example using extended instructions

```
data .section 'data'
temp db ?
code .section at 0 code
org 00h
start:
lmov a,[m]          ; move [m] data to acc
lsub a, [m+1]        ; compare [m] and [m+1] data
snz c               ; [m]>[m+1]?
jmp continue        ; no
lmov a,[m]           ; yes, exchange [m] and [m+1] data
mov temp,a
lmov a,[m+1]
lmov [m],a
mov a,temp
lmov [m+1],a
continue:
:
```

Note: Here "m" is a data memory address located in any data memory sectors. For example, m=1F0H, it indicates address 0F0H in Sector 1.

Program Memory Bank Pointer – PBP

For the series of devices the Program Memory is divided into several banks except for the HT67F2350 device. Selecting the required Program Memory area is achieved using the Program Memory Bank Pointer, PBP. The PBP register should be properly configured before the device executes the "Branch" operation using the "JMP" or "CALL" instruction. After that a jump to a non-consecutive Program Memory address which is located in a certain bank selected by the program memory bank pointer bits will occur.

PBP Register – HT67F2360

Bit	7	6	5	4	3	2	1	0
Name	D7	D6	D5	D4	D3	D2	D1	PBP0
R/W	R/W	R/W	R/W	R/W	R/W	R/W	R/W	R/W
POR	0	0	0	0	0	0	0	0

Bit 7~1 **D7~D1**: General data bits and can be read or written.

Bit 0 **PBP0**: Program Memory Bank Point bit 0
 0: Bank 0
 1: Bank 1

PBP Register – HT67F2370

Bit	7	6	5	4	3	2	1	0
Name	D7	D6	D5	D4	D3	D2	PBP1	PBP0
R/W	R/W	R/W	R/W	R/W	R/W	R/W	R/W	R/W
POR	0	0	0	0	0	0	0	0

Bit 7~2 **D7~D2**: General data bits and can be read or written.

Bit 1~0 **PBP1~PBP0**: Program Memory Bank Point bit 1 ~ bit 0
 00: Bank 0
 01: Bank 1
 10: Bank 2
 11: Bank 3

PBP Register – HT67F2390

Bit	7	6	5	4	3	2	1	0
Name	D7	D6	D5	D4	D3	PBP2	PBP1	PBP0
R/W	R/W	R/W	R/W	R/W	R/W	R/W	R/W	R/W
POR	0	0	0	0	0	0	0	0

Bit 7~3 **D7~D3**: General data bits and can be read or written.

Bit 2~0 **PBP2~PBP0**: Program Memory Bank Point bit 2 ~ bit 0
 000: Bank 0
 001: Bank 1
 010: Bank 2
 011: Bank 3
 100: Bank 4
 101: Bank 5
 110: Bank 6
 111: Bank 7

Accumulator – ACC

The Accumulator is central to the operation of any microcontroller and is closely related with operations carried out by the ALU. The Accumulator is the place where all intermediate results from the ALU are stored. Without the Accumulator it would be necessary to write the result of each calculation or logical operation such as addition, subtraction, shift, etc., to the Data Memory resulting in higher programming and timing overheads. Data transfer operations usually involve the temporary storage function of the Accumulator; for example, when transferring data between one user-defined register and another, it is necessary to do this by passing the data through the Accumulator as no direct transfer between two registers is permitted.

Program Counter Low Register – PCL

To provide additional program control functions, the low byte of the Program Counter is made accessible to programmers by locating it within the Special Purpose area of the Data Memory. By manipulating this register, direct jumps to other program locations are easily implemented. Loading a value directly into this PCL register will cause a jump to the specified Program Memory location; however, as the register is only 8-bit wide, only jumps within the current Program Memory page are permitted. When such operations are used, note that a dummy cycle will be inserted.

Look-up Table Registers – TBLP, TBHP, TBLH

These three special function registers are used to control operation of the look-up table which is stored in the Program Memory. The TBLP and TBHP registers are the table pointer pair and indicates the location where the table data is located. Their value must be setup before any table read instructions are executed. Their value can be changed, for example using the "INC" or "DEC" instructions, allowing for easy table data pointing and reading. TBLH is the location where the high order byte of the table data is stored after a table read data instruction has been executed. Note that the lower order table data byte is transferred to a user defined location.

Status Register – STATUS

This 8-bit register contains the zero flag (Z), carry flag (C), auxiliary carry flag (AC), overflow flag (OV), SC flag, CZ flag, power down flag (PDF), and watchdog time-out flag (TO). These arithmetic/logical operation and system management flags are used to record the status and operation of the microcontroller.

With the exception of the TO and PDF flags, bits in the status register can be altered by instructions like most other registers. Any data written into the status register will not change the TO or PDF flag. In addition, operations related to the status register may give different results due to the different instruction operations. The TO flag can be affected only by a system power-up, a WDT time-out or by executing the "CLR WDT" or "HALT" instruction. The PDF flag is affected only by executing the "HALT" or "CLR WDT" instruction or during a system power-up.

The Z, OV, AC, C, SC and CZ flags generally reflect the status of the latest operations.

- C is set if an operation results in a carry during an addition operation or if a borrow does not take place during a subtraction operation; otherwise C is cleared. C is also affected by a rotate through carry instruction.
- AC is set if an operation results in a carry out of the low nibbles in addition, or no borrow from the high nibble into the low nibble in subtraction; otherwise AC is cleared.
- Z is set if the result of an arithmetic or logical operation is zero; otherwise Z is cleared.
- OV is set if an operation results in a carry into the highest-order bit but not a carry out of the highest-order bit, or vice versa; otherwise OV is cleared.

- PDF is cleared by a system power-up or executing the "CLR WDT" instruction. PDF is set by executing the "HALT" instruction.
- TO is cleared by a system power-up or executing the "CLR WDT" or "HALT" instruction. TO is set by a WDT time-out.
- SC is the result of the "XOR" operation which is performed by the OV flag and the MSB of the current instruction operation result.
- CZ is the operational result of different flags for different instructions. Refer to register definitions for more details.

In addition, on entering an interrupt sequence or executing a subroutine call, the status register will not be pushed onto the stack automatically. If the contents of the status registers are important and if the subroutine can corrupt the status register, precautions must be taken to correctly save it.

STATUS Register

Bit	7	6	5	4	3	2	1	0
Name	SC	CZ	TO	PDF	OV	Z	AC	C
R/W	R	R	R	R	R/W	R/W	R/W	R/W
POR	x	x	0	0	x	x	x	x

"x": unknown

- Bit 7 **SC**: The result of the "XOR" operation which is performed by the OV flag and the MSB of the instruction operation result.
- Bit 6 **CZ**: The operational result of different flags for different instructions.
 For SUB/SUBM/LSUB/LSUBM instructions, the CZ flag is equal to the Z flag.
 For SBC/ SBCM/ LSBC/ LSBCM instructions, the CZ flag is the "AND" operation result which is performed by the previous operation CZ flag and current operation zero flag. For other instructions, the CZ flag will not be affected.
- Bit 5 **TO**: Watchdog Time-out flag
 0: After power up or executing the "CLR WDT" or "HALT" instruction
 1: A watchdog time-out occurred
- Bit 4 **PDF**: Power down flag
 0: After power up or executing the "CLR WDT" instruction
 1: By executing the "HALT" instruction
- Bit 3 **OV**: Overflow flag
 0: No overflow
 1: An operation results in a carry into the highest-order bit but not a carry out of the highest-order bit or vice versa
- Bit 2 **Z**: Zero flag
 0: The result of an arithmetic or logical operation is not zero
 1: The result of an arithmetic or logical operation is zero
- Bit 1 **AC**: Auxiliary flag
 0: No auxiliary carry
 1: An operation results in a carry out of the low nibbles, in addition, or no borrow from the high nibble into the low nibble in subtraction
- Bit 0 **C**: Carry flag
 0: No carry-out
 1: An operation results in a carry during an addition operation or if a borrow does not take place during a subtraction operation
 The "C" flag is also affected by a rotate through carry instruction.

EEPROM Data Memory

These devices contain an area of internal EEPROM Data Memory. EEPROM, which stands for Electrically Erasable Programmable Read Only Memory, is by its nature a non-volatile form of re-programmable memory, with data retention even when its power supply is removed. By incorporating this kind of data memory, a whole new host of application possibilities are made available to the designer. The availability of EEPROM storage allows information such as product identification numbers, calibration values, specific user data, system setup data or other product information to be stored directly within the product microcontroller. The process of reading and writing data to the EEPROM memory has been reduced to a very trivial affair.

Device	Capacity	Address
HT67F2350	256 × 8	00H ~ FFH
HT67F2360		
HT67F2370	512 × 8	000H ~ 1FFH
HT67F2390	1024 × 8	000H ~ 3FFH

EEPROM Data Memory Structure

The EEPROM Data Memory capacity is up to 1024×8 bits for the series of devices. Unlike the Program Memory and RAM Data Memory, the EEPROM Data Memory is not directly mapped into memory space and is therefore not directly addressable in the same way as the other types of memory. Read and Write operations to the EEPROM are carried out in single byte operations using an address and data register in sector 0 and a single control register in sector 1.

EEPROM Registers

Three registers control the overall operation of the internal EEPROM Data Memory. These are the address register, EEA, the data register, EED and a single control register, EEC. As both the EEA and EED registers are located in sector 0, they can be directly accessed in the same way as any other Special Function Register. The EEC register, however, being located in sector 1, can be read from or written to indirectly using the MP1H/MP1L or MP2H/MP2L Memory Pointer pair and Indirect Addressing Register, IAR1 or IAR2. Because the EEC control register is located at address 40H in sector 1, the Memory Pointer low byte register, MP1L or MP2L, must first be set to the value 40H and the Memory Pointer high byte register, MP1H or MP2H, set to the value, 01H, before any operations on the EEC register are executed.

Register Name	Bit							
	7	6	5	4	3	2	1	0
EEA (HT67F2350/60)	EEA7	EEA6	EEA5	EEA4	EEA3	EEA2	EEA1	EEA0
EEAL (HT67F2370/90)	EEAL7	EEAL6	EEAL5	EEAL4	EEAL3	EEAL2	EEAL1	EEAL0
EEAH (HT67F2370)	—	—	—	—	—	—	—	EEAH0
EEAH (HT67F2390)	—	—	—	—	—	—	EEAH1	EEAH0
EED	D7	D6	D5	D4	D3	D2	D1	D0
EEC	—	—	—	—	WREN	WR	RDEN	RD

EEPROM Registers List

EEA Register – HT67F2350/HT67F2360

Bit	7	6	5	4	3	2	1	0
Name	EEA7	EEA6	EEA5	EEA4	EEA3	EEA2	EEA1	EEA0
R/W	R/W	R/W	R/W	R/W	R/W	R/W	R/W	R/W
POR	0	0	0	0	0	0	0	0

Bit 7~0 **EEA7~EEA0**: Data EEPROM address bit 7 ~ bit0

EEAL Register – HT67F2370/HT67F2390

Bit	7	6	5	4	3	2	1	0
Name	EEAL7	EEAL6	EEAL5	EEAL4	EEAL3	EEAL2	EEAL1	EEAL0
R/W	R/W	R/W	R/W	R/W	R/W	R/W	R/W	R/W
POR	0	0	0	0	0	0	0	0

Bit 7~0 **EEAL7~EEAL0**: Data EEPROM low byte address bit 7 ~ bit 0

EEAH Register – HT67F2370

Bit	7	6	5	4	3	2	1	0
Name	—	—	—	—	—	—	—	EEAH0
R/W	—	—	—	—	—	—	—	R/W
POR	—	—	—	—	—	—	—	0

Bit 7~1 Unimplemented, read as "0"

Bit 0 **EEAH0**: Data EEPROM high byte address bit 0

EEAH Register – HT67F2390

Bit	7	6	5	4	3	2	1	0
Name	—	—	—	—	—	—	EEAH1	EEAH0
R/W	—	—	—	—	—	—	R/W	R/W
POR	—	—	—	—	—	—	0	0

Bit 7~2 Unimplemented, read as "0"

Bit 1~0 **EEAH1~EEAH0**: Data EEPROM high byte address bit 1 ~ bit 0

EED Register

Bit	7	6	5	4	3	2	1	0
Name	D7	D6	D5	D4	D3	D2	D1	D0
R/W	R/W	R/W	R/W	R/W	R/W	R/W	R/W	R/W
POR	0	0	0	0	0	0	0	0

Bit 7~0 **D7~D0**: Data EEPROM data bit 7 ~ bit 0

EEC Register

Bit	7	6	5	4	3	2	1	0
Name	—	—	—	—	WREN	WR	RDEN	RD
R/W	—	—	—	—	R/W	R/W	R/W	R/W
POR	—	—	—	—	0	0	0	0

Bit 7~4 Unimplemented, read as "0"

Bit 3 **WREN**: Data EEPROM write enable
 0: Disable
 1: Enable

This is the Data EEPROM Write Enable Bit which must be set high before Data EEPROM write operations are carried out. Clearing this bit to zero will inhibit Data EEPROM write operations. Note that the WREN bit will automatically be cleared to zero after the write operation is finished.

Bit 2 **WR**: EEPROM write control
 0: Write cycle has finished
 1: Activate a write cycle

This is the Data EEPROM Write Control Bit and when set high by the application program will activate a write cycle. This bit will be automatically reset to zero by the hardware after the write cycle has finished. Setting this bit high will have no effect if the WREN has not first been set high.

Bit 1 **RDEN**: Data EEPROM read enable
 0: Disable
 1: Enable

This is the Data EEPROM Read Enable Bit which must be set high before Data EEPROM read operations are carried out. Clearing this bit to zero will inhibit Data EEPROM read operations.

Bit 0 **RD**: EEPROM read control
 0: Read cycle has finished
 1: Activate a read cycle

This is the Data EEPROM Read Control Bit and when set high by the application program will activate a read cycle. This bit will be automatically reset to zero by the hardware after the read cycle has finished. Setting this bit high will have no effect if the RDEN has not first been set high.

Note: The WREN, WR, RDEN and RD can not be set to "1" at the same time in one instruction. The WR and RD can not be set to "1" at the same time.

Reading Data from the EEPROM

To read data from the EEPROM, the EEPROM address of the data to be read must first be placed in the EEA register or EEAL/EEAH register pair. Then the read enable bit, RDEN, in the EEC register must be set high to enable the read function. If the RD bit in the EEC register is now set high, a read cycle will be initiated. Setting the RD bit high will not initiate a read operation if the RDEN bit has not been set. When the read cycle terminates, the RD bit will be automatically cleared to zero, after which the data can be read from the EED register. The data will remain in the EED register until another read or write operation is executed. The application program can poll the RD bit to determine when the data is valid for reading.

Writing Data to the EEPROM

To write data to the EEPROM, the EEPROM address of the data to be written must first be placed in the EEA register or EEAL/EEAH register pair and the data placed in the EED register. To initiate a write cycle the write enable bit, WREN, in the EEC register must first be set high to enable the write function. After this, the WR bit in the EEC register must be immediately set high to initiate a write cycle successfully. These two instructions must be executed consecutively. The global interrupt bit EMI should also first be cleared before implementing any write operations, and then set high again after the write cycle has started. Note that setting the WR bit high will not initiate a write cycle if the WREN bit has not been set. As the EEPROM write cycle is controlled using an internal timer whose operation is asynchronous to microcontroller system clock, a certain time will elapse before the data will have been written into the EEPROM. Detecting when the write cycle has finished can be implemented either by polling the WR bit in the EEC register or by using the EEPROM interrupt. When the write cycle terminates, the WR bit will be automatically cleared to zero by the microcontroller, informing the user that the data has been written to the EEPROM. The application program can therefore poll the WR bit to determine when the write cycle has ended.

Write Protection

Protection against inadvertent write operation is provided in several ways. After the device is powered on, the Write Enable bit in the control register will be cleared preventing any write operations. Also at power-on the Memory Pointer high byte register, MP1H or MP2H, will be reset to zero, which means that Data Memory sector 0 will be selected. As the EEPROM control register is located in sector 1, this adds a further measure of protection against spurious write operations. During normal program operation, ensuring that the Write Enable bit in the control register is cleared will safeguard against incorrect write operations.

EEPROM Interrupt

The EEPROM write interrupt is generated when an EEPROM write cycle has ended. The EEPROM interrupt must first be enabled by setting the DEE bit in the relevant interrupt register. However, as the EEPROM is contained within a Multi-function Interrupt, the associated multi-function interrupt enable bit must also be set. When an EEPROM write cycle ends, the DEF request flag and its associated multi-function interrupt request flag will both be set. If the global, EEPROM and Multi-function interrupts are enabled and the stack is not full, a jump to the associated Multi-function Interrupt vector will take place. When the interrupt is serviced only the Multi-function interrupt flag will be automatically reset, the EEPROM interrupt flag must be manually reset by the application program.

Programming Considerations

Care must be taken that data is not inadvertently written to the EEPROM. Protection can be Periodic by ensuring that the Write Enable bit is normally cleared to zero when not writing. Also the Memory Pointer high byte register could be normally cleared to zero as this would inhibit access to sector 1 where the EEPROM control register exist. Although certainly not necessary, consideration might be given in the application program to the checking of the validity of new write data by a simple read back process. When writing data the WR bit must be set high immediately after the WREN bit has been set high, to ensure the write cycle executes correctly. The global interrupt bit EMI should also be cleared before a write cycle is executed and then re-enabled after the write cycle starts. Note that the device should not enter the IDLE or SLEEP mode until the EEPROM read or write operation is totally complete. Otherwise, the EEPROM read or write operation will fail.

Programming Example – for HT67F2350

- **Reading data from the EEPROM – polling method**

```
MOV A, EEPROM_ADRES      ; user defined address
MOV EEA, A
MOV A, 040H              ; setup memory pointer low byte MP1L
MOV MP1L, A              ; MP1L points to EEC register
MOV A, 01H               ; setup Memory Pointer high byte MP1H
MOV MP1H, A
SET IAR1.1               ; set RDEN bit, enable read operations
SET IAR1.0               ; start Read Cycle - set RD bit
BACK:
SZ IAR1.0                ; check for read cycle end
JMP BACK
CLR IAR1                  ; disable EEPROM write
CLR MP1H
MOV A, EED                ; move read data to register
MOV READ_DATA, A
```

- **Writing Data to the EEPROM – polling method**

```
MOV A, EEPROM_ADRES      ; user defined address
MOV EEA, A
MOV A, EEPROM_DATA       ; user defined data
MOV EED, A
MOV A, 040H              ; setup memory pointer low byte MP1L
MOV MP1L, A              ; MP1L points to EEC register
MOV A, 01H               ; setup Memory Pointer high byte MP1H
MOV MP1H, A
CLR EMI
SET IAR1.3               ; set WREN bit, enable write operations
SET IAR1.2               ; start Write Cycle - set WR bit
SET EMI
BACK:
SZ IAR1.2                ; check for write cycle end
JMP BACK
CLR IAR1                  ; disable EEPROM write
CLR MP1H
```

Oscillators

Various oscillator types offer the user a wide range of functions according to their various application requirements. The flexible features of the oscillator functions ensure that the best optimisation can be achieved in terms of speed and power saving. Oscillator selections and operation are selected through a combination of application program and relevant control registers.

Oscillator Overview

In addition to being the source of the main system clock the oscillators also provide clock sources for the Watchdog Timer and Time Base Interrupts. External oscillators requiring some external components as well as fully integrated internal oscillators, requiring no external components, are provided to form a wide range of both fast and slow system oscillators. All oscillator options are selected through register programming. The higher frequency oscillators provide higher performance but carry with it the disadvantage of higher power requirements, while the opposite is of course true for the lower frequency oscillators. With the capability of dynamically switching between fast and slow system clock, the device has the flexibility to optimize the performance/power ratio, a feature especially important in power sensitive portable applications.

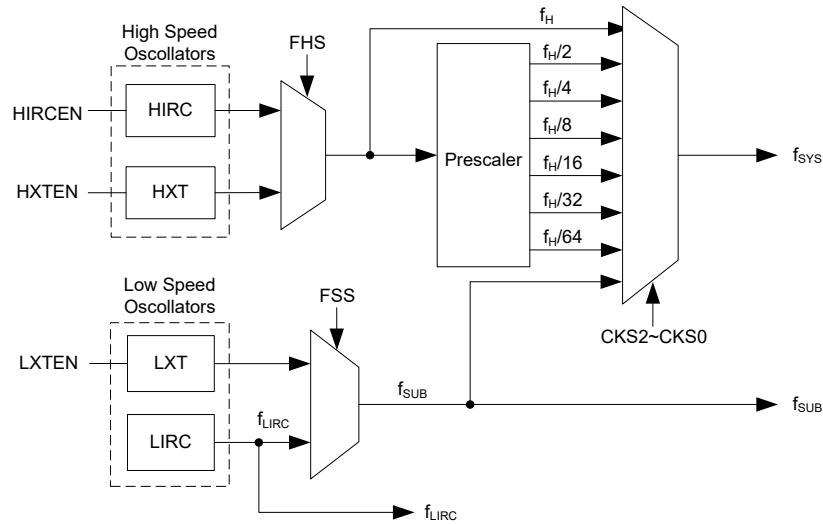
Type	Name	Frequency	Pins
External High Speed Crystal	HXT	400kHz~16MHz	OSC1/OSC2
Internal High Speed RC	HIRC	8/12/16MHz	—
External Low Speed Crystal	LXT	32.768kHz	XT1/XT2
Internal Low Speed RC	LIRC	32kHz	—

Oscillator Types

System Clock Configurations

There are four methods of generating the system clock, two high speed oscillators and two low speed oscillators for all devices. The high speed oscillator is the external crystal/ceramic oscillator, HXT, and the internal 8/12/16 MHz RC oscillator, HIRC. The two low speed oscillators are the internal 32kHz RC oscillator, LIRC, and the external 32.768kHz crystal oscillator, LXT. Selecting whether the low or high speed oscillator is used as the system oscillator is implemented using the CKS2~CKS0 bits in the SCC register and as the system clock can be dynamically selected.

The actual source clock used for the low speed oscillators is chosen via the FSS bit in the SCC register while for the high speed oscillator the source clock is selected by the FHS bit in the SCC register. The frequency of the slow speed or high speed system clock is determined using the CKS2~CKS0 bits in the SCC register. Note that two oscillator selections must be made namely one high speed and one low speed system oscillators. It is not possible to choose a no-oscillator selection for either the high or low speed oscillator.

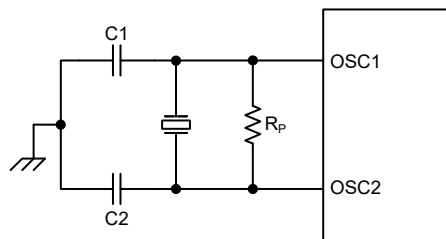


System Clock Configurations

External Crystal/Ceramic Oscillator – HXT

The External Crystal/Ceramic System Oscillator is the high frequency oscillator, which is the default oscillator clock source after power on. For most crystal oscillator configurations, the simple connection of a crystal across OSC1 and OSC2 will create the necessary phase shift and feedback for oscillation, without requiring external capacitors. However, for some crystal types and frequencies, to ensure oscillation, it may be necessary to add two small value capacitors, C1 and C2. Using a ceramic resonator will usually require two small value capacitors, C1 and C2, to be connected as shown for oscillation to occur. The values of C1 and C2 should be selected in consultation with the crystal or resonator manufacturer’s specification.

For oscillator stability and to minimise the effects of noise and crosstalk, it is important to ensure that the crystal and any associated resistors and capacitors along with interconnecting lines are all located as close to the MCU as possible.



- Note: 1. R_p is normally not required. C1 and C2 are required.
 2. Although not shown OSC1/OSC2 pins have a parasitic capacitance of around 7pF.

Crystal/Resonator Oscillator

HXT Oscillator C1 and C2 Values		
Crystal Frequency	C1	C2
12MHz	0 pF	0 pF
8MHz	0 pF	0 pF
4MHz	0 pF	0 pF
1MHz	100 pF	100 pF

Note: C1 and C2 values are for guidance only.

Crystal Recommended Capacitor Values

Internal High Speed RC Oscillator – HIRC

The internal RC oscillator is a fully integrated system oscillator requiring no external components. The internal RC oscillator has a fixed frequency of 8/12/16 MHz. Device trimming during the manufacturing process and the inclusion of internal frequency compensation circuits are used to ensure that the influence of the power supply voltage, temperature and process variations on the oscillation frequency are minimised. As a result, at a power supply of 3V or 5V and at a temperature of 25°C degrees, the selected trimmed oscillation frequency will have a tolerance within 1%. Note that if this internal system clock is selected, as it requires no external pins for its operation, I/O pins are free for use as normal I/O pins or other pin-shared functional pins.

External 32.768kHz Crystal Oscillator – LXT

The External 32.768kHz Crystal System Oscillator is one of the low frequency oscillator choices, which is selected via a software control bit, FSS. This clock source has a fixed frequency of 32.768kHz and requires a 32.768kHz crystal to be connected between pins XT1 and XT2. The external resistor and capacitor components connected to the 32.768kHz crystal are necessary to provide oscillation. For applications where precise frequencies are essential, these components may be required to provide frequency compensation due to different crystal manufacturing tolerances. After the LXT oscillator is enabled by setting the LXTEN bit to 1, there is a time delay associated with the LXT oscillator waiting for it to start-up.

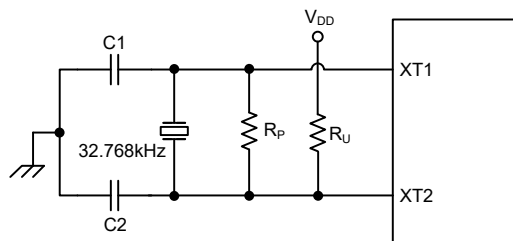
When the microcontroller enters the SLEEP or IDLE Mode, the system clock is switched off to stop microcontroller activity and to conserve power. However, in many microcontroller applications it may be necessary to keep the internal timers operational even when the microcontroller is in the SLEEP or IDLE Mode. To do this, another clock, independent of the system clock, must be provided.

However, for some crystals, to ensure oscillation and accurate frequency generation, it is necessary to add two small value external capacitors, C1 and C2. The exact values of C1 and C2 should be selected in consultation with the crystal or resonator manufacturer’s specification. The external parallel feedback resistor, R_P, and the pull high resistor, R_U, are required.

The pin-shared software control bits determine if the XT1/XT2 pins are used for the LXT oscillator or as I/O or other pin-shared functional pins.

- If the LXT oscillator is not used for any clock source, the XT1/XT2 pins can be used as normal I/O or other pin-shared functional pins.
- If the LXT oscillator is used for any clock source, the 32.768kHz crystal should be connected to the XT1/XT2 pins.

For oscillator stability and to minimise the effects of noise and crosstalk, it is important to ensure that the crystal and any associated resistors and capacitors along with interconnecting lines are all located as close to the MCU as possible.



- Note: 1. R_P, R_U, C1 and C2 are required.
 2. Although not shown XT1/XT2 pins have a parasitic capacitance of around 7pF.

External LXT Oscillator

LXT Oscillator C1 and C2 Values		
Crystal Frequency	C1	C2
32.768kHz	10pF	22~24pF

Note: 1. C1 and C2 values are for guidance only.
2. $R_P=5M\sim 10M\Omega$ is recommended.
3. $R_U=5.1M\Omega$ is recommended.

32.768kHz Crystal Recommended Capacitor Values

Internal 32kHz Oscillator – LIRC

The Internal 32 kHz System Oscillator is one of the low frequency oscillator choices, which is selected via a software control bit, FSS. It is a fully integrated RC oscillator with a typical frequency of 32 kHz at 5V, requiring no external components for its implementation. Device trimming during the manufacturing process and the inclusion of internal frequency compensation circuits are used to ensure that the influence of the power supply voltage, temperature and process variations on the oscillation frequency are minimised. As a result, at a power supply of 5V and at a temperature of 25°C degrees, the fixed oscillation frequency of 32 kHz will have a tolerance within 5%.

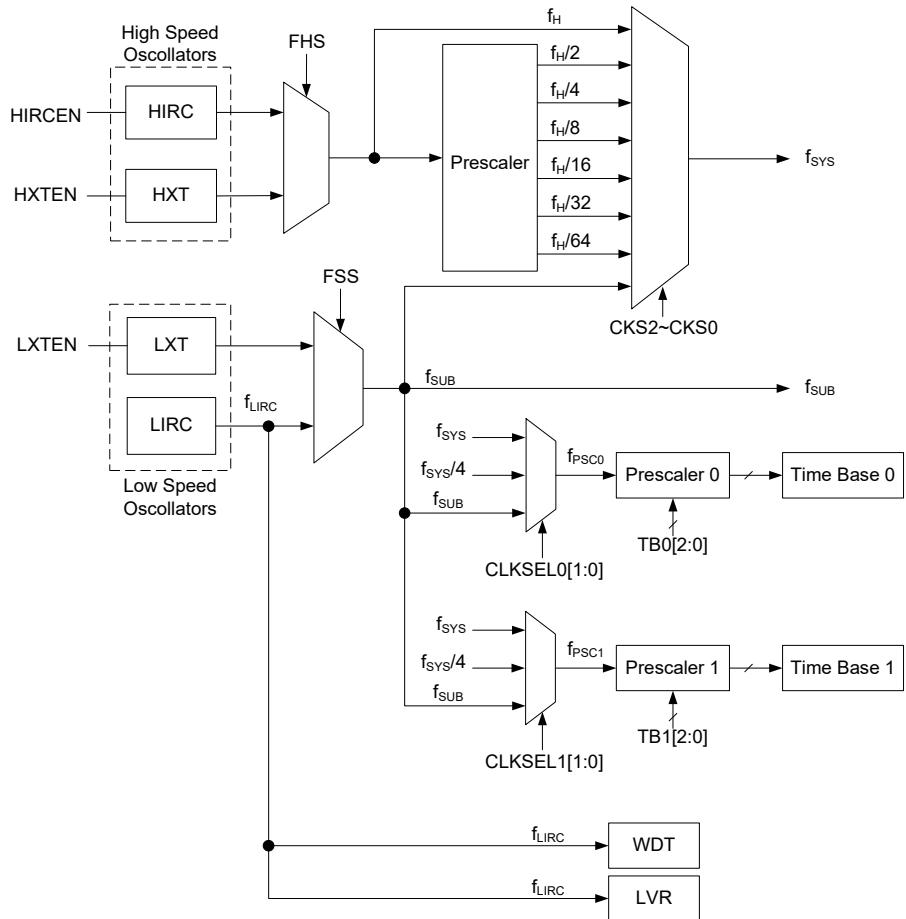
Operating Modes and System Clocks

Present day applications require that their microcontrollers have high performance but often still demand that they consume as little power as possible, conflicting requirements that are especially true in battery powered portable applications. The fast clocks required for high performance will by their nature increase current consumption and of course vice-versa lower speed clocks reduce current consumption. As Holtek has provided these devices with both high and low speed clock sources and the means to switch between them dynamically, the user can optimise the operation of their microcontroller to achieve the best performance/power ratio.

System Clocks

Each device has different clock sources for both the CPU and peripheral function operation. By providing the user with a wide range of clock selections using register programming, a clock system can be configured to obtain maximum application performance.

The main system clock, can come from either a high frequency, f_H , or low frequency, f_{SUB} , source, and is selected using the CKS2~CKS0 bits in the SCC register. The high speed system clock is sourced from an HXT or HIRC oscillator, selected via configuring the FHS bit in the SCC register. The low speed system clock source can be sourced from the internal clock f_{SUB} . If f_{SUB} is selected then it can be sourced by either the LXT or LIRC oscillators, selected via configuring the FSS bit in the SCC register. The other choice, which is a divided version of the high speed system oscillator has a range of $f_H/2\sim f_H/64$.



Device Clock Configurations

Note: When the system clock source f_{SYS} is switched to f_{SUB} from f_H , the high speed oscillation can be stopped to conserve the power or continue to oscillate to provide the clock source, $f_H \sim f_H/64$, for peripheral circuit to use, which is determined by configuring the corresponding high speed oscillator enable control bit.

System Operation Modes

There are six different modes of operation for the microcontroller, each one with its own special characteristics and which can be chosen according to the specific performance and power requirements of the application. There are two modes allowing normal operation of the microcontroller, the FAST Mode and SLOW Mode. The remaining four modes, the SLEEP, IDLE0, IDLE1 and IDLE2 Mode are used when the microcontroller CPU is switched off to conserve power.

Operation Mode	CPU	Register Setting			f _{sys}	f _H	f _{SUB}	f _{LIRC}
		FHIDEN	FSIDEN	CKS2~CKS0				
FAST	On	x	x	000~110	f _H ~f _H /64	On	On	On
SLOW	On	x	x	111	f _{SUB}	On/Off ⁽¹⁾	On	On
IDLE0	Off	0	1	000~110	Off	Off	On	On
				111	On			
IDLE1	Off	1	1	xxx	On	On	On	On
IDLE2	Off	1	0	000~110	On	On	Off	On
				111	Off			
SLEEP	Off	0	0	xxx	Off	Off	Off	On ⁽²⁾

Note: 1. The f_H clock will be switched on or off by configuring the corresponding oscillator enable bit in the SLOW mode.

2. The f_{LIRC} clock will be switched on if the WDT function is enabled.

FAST Mode

As the name suggests this is one of the main operating modes where the microcontroller has all of its functions operational and where the system clock is provided by one of the high speed oscillators. This mode operates allowing the microcontroller to operate normally with a clock source will come from one of the high speed oscillators, either the HXT or HIRC oscillators. The high speed oscillator will however first be divided by a ratio ranging from 1 to 64, the actual ratio being selected by the CKS2~CKS0 bits in the SCC register. Although a high speed oscillator is used, running the microcontroller at a divided clock ratio reduces the operating current.

SLOW Mode

This is also a mode where the microcontroller operates normally although now with a slower speed clock source. The clock source used will be from f_{SUB}. The f_{SUB} clock is derived from either the LIRC or LXT oscillator.

SLEEP Mode

The SLEEP Mode is entered when a HALT instruction is executed and when the FHIDEN and FSIDEN bit are low. In the SLEEP mode the CPU will be stopped and both the high and low speed oscillators will be switched off. However the f_{LIRC} clock will continue to operate if the WDT function is enabled by the WDTC register.

IDLE0 Mode

The IDLE0 Mode is entered when a HALT instruction is executed and when the FHIDEN bit in the SCC register is low and the FSIDEN bit in the SCC register is high. In the IDLE0 Mode the CPU will be switched off but the low speed oscillator will be turned on to drive some peripheral functions.

IDLE1 Mode

The IDLE1 Mode is entered when a HALT instruction is executed and when the FHIDEN bit in the SCC register is high and the FSIDEN bit in the SCC register is high. In the IDLE1 Mode the CPU will be switched off but both the high and low speed oscillators will be turned on to provide a clock source to keep some peripheral functions operational.

IDLE2 Mode

The IDLE2 Mode is entered when a HALT instruction is executed and when the FHIDEN bit in the SCC register is high and the FSIDEN bit in the SCC register is low. In the IDLE2 Mode the CPU and low speed oscillator will be switched off but the high speed oscillator will be turned on to provide a clock source to keep some peripheral functions operational.

Control Registers

The registers, SCC, HIRCC, HXTC and LXTC, are used to control the system clock and the corresponding oscillator configurations.

Register Name	Bit							
	7	6	5	4	3	2	1	0
SCC	CKS2	CKS1	CKS0	—	FHS	FSS	FHIDEN	FSIDEN
HIRCC	—	—	—	—	HIRC1	HIRC0	HIRCF	HIRCEN
HXTC	—	—	—	—	—	HXTM	HXTF	HXTEN
LXTC	—	—	—	—	—	—	LXTF	LXTEN

System Operating Mode Control Registers List

SCC Register

Bit	7	6	5	4	3	2	1	0
Name	CKS2	CKS1	CKS0	—	FHS	FSS	FHIDEN	FSIDEN
R/W	R/W	R/W	R/W	—	R/W	R/W	R/W	R/W
POR	0	0	0	—	0	0	0	0

Bit 7~5 **CKS2~CKS0**: System clock selection

- 000: f_H
- 001: $f_H/2$
- 010: $f_H/4$
- 011: $f_H/8$
- 100: $f_H/16$
- 101: $f_H/32$
- 110: $f_H/64$
- 111: f_{SUB}

These three bits are used to select which clock is used as the system clock source. In addition to the system clock source directly derived from f_H or f_{SUB} , a divided version of the high speed system oscillator can also be chosen as the system clock source.

Bit 4 Unimplemented, read as "0"

Bit 3 **FHS**: High Frequency clock selection

- 0: HIRC
- 1: HXT

Bit 2 **FSS**: Low Frequency clock selection

- 0: LIRC
- 1: LXT

- Bit 1 **FHIDEN**: High Frequency oscillator control when CPU is switched off
 0: Disable
 1: Enable
 This bit is used to control whether the high speed oscillator is activated or stopped when the CPU is switched off by executing a "HALT" instruction.
- Bit 0 **FSIDEN**: Low Frequency oscillator control when CPU is switched off
 0: Disable
 1: Enable
 This bit is used to control whether the low speed oscillator is activated or stopped when the CPU is switched off by executing a "HALT" instruction. The LIRC oscillator is controlled by this bit together with the WDT function enable control when the LIRC is selected to be the low speed oscillator clock source or the WDT function is enabled respectively. If this bit is cleared to 0 but the WDT function is enabled, the LIRC oscillator will also be enabled.

HIRCC Register

Bit	7	6	5	4	3	2	1	0
Name	—	—	—	—	HIRC1	HIRC0	HIRCF	HIRCEN
R/W	—	—	—	—	R/W	R/W	R	R/W
POR	—	—	—	—	0	0	0	1

- Bit 7~4 Unimplemented, read as "0"
- Bit 3~2 **HIRC1~HIRC0**: HIRC frequency selection
 00: 8 MHz
 01: 12 MHz
 10: 16 MHz
 11: 8 MHz
 When the HIRC oscillator is enabled or the HIRC frequency selection is changed by the application program, the clock frequency will automatically be changed after the HIRCF flag is set to 1.
- Bit 1 **HIRCF**: HIRC oscillator stable flag
 0: HIRC unstable
 1: HIRC stable
 This bit is used to indicate whether the HIRC oscillator is stable or not. When the HIRCEN bit is set to 1 to enable the HIRC oscillator or the HIRC frequency selection is changed by the application program, the HIRCF bit will first be cleared to 0 and then set to 1 after the HIRC oscillator is stable.
- Bit 0 **HIRCEN**: HIRC oscillator enable control
 0: Disable
 1: Enable

HXTC Register

Bit	7	6	5	4	3	2	1	0
Name	—	—	—	—	—	HXTM	HXTF	HXTEN
R/W	—	—	—	—	—	R/W	R	R/W
POR	—	—	—	—	—	0	0	0

- Bit 7~3 Unimplemented, read as "0"
- Bit 2 **HXTM**: HXT mode selection
 0: HXT frequency \leq 10 MHz
 1: HXT frequency > 10 MHz
 This bit is used to select the HXT oscillator operating mode. Note that this bit must be properly configured before the HXT is enabled. When the OSC1 and OSC2 pins are enabled and the HXTEN bit is set to 1 to enable the HXT oscillator, it is invalid to change the value of this bit. Otherwise, this bit value can be changed with no operation on the HXT function.
- Bit 1 **HXTF**: HXT oscillator stable flag
 0: HXT unstable
 1: HXT stable
 This bit is used to indicate whether the HXT oscillator is stable or not. When the HXTEN bit is set to 1 to enable the HXT oscillator, the HXTF bit will first be cleared to 0 and then set to 1 after the HXT oscillator is stable.
- Bit 0 **HXTEN**: HXT oscillator enable control
 0: Disable
 1: Enable

LXTC Register

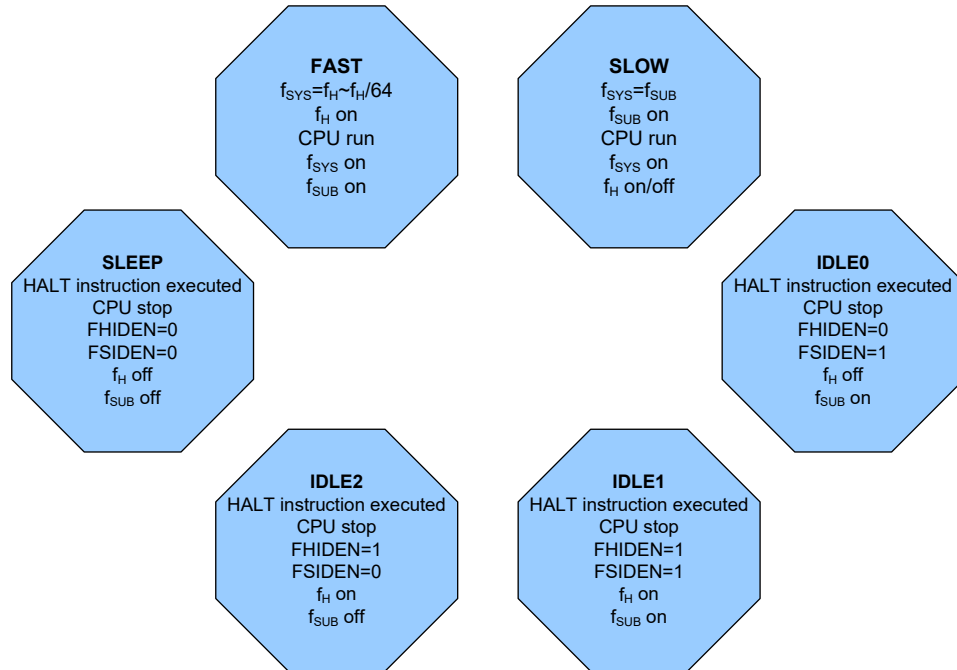
Bit	7	6	5	4	3	2	1	0
Name	—	—	—	—	—	—	LXTF	LXTEN
R/W	—	—	—	—	—	—	R	R/W
POR	—	—	—	—	—	—	0	0

- Bit 7~2 Unimplemented, read as "0"
- Bit 1 **LXTF**: LXT oscillator stable flag
 0: LXT unstable
 1: LXT stable
 This bit is used to indicate whether the LXT oscillator is stable or not. When the LXTEN bit is set to 1 to enable the LXT oscillator, the LXTF bit will first be cleared to 0 and then set to 1 after the LXT oscillator is stable.
- Bit 0 **LXTEN**: LXT oscillator enable control
 0: Disable
 1: Enable

Operating Mode Switching

These devices can switch between operating modes dynamically allowing the user to select the best performance/power ratio for the present task in hand. In this way microcontroller operations that do not require high performance can be executed using slower clocks thus requiring less operating current and prolonging battery life in portable applications.

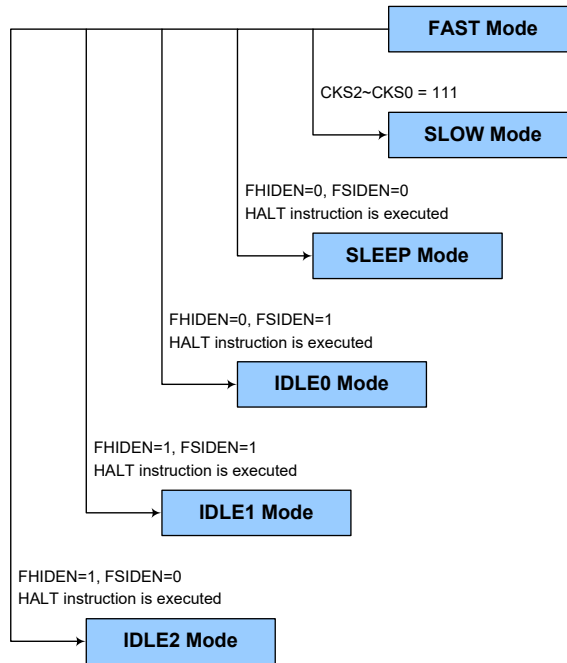
In simple terms, Mode Switching between the FAST Mode and SLOW Mode is executed using the CKS2~CKS0 bits in the SCC register while Mode Switching from the FAST/SLOW Modes to the SLEEP/IDLE Modes is executed via the HALT instruction. When a HALT instruction is executed, whether the device enters the IDLE Mode or the SLEEP Mode is determined by the condition of the FHIDEN and FSIDEN bits in the SCC register.



FAST Mode to SLOW Mode Switching

When running in the FAST Mode, which uses the high speed system oscillator, and therefore consumes more power, the system clock can switch to run in the SLOW Mode by set the CKS2~CKS0 bits to "111" in the SCC register. This will then use the low speed system oscillator which will consume less power. Users may decide to do this for certain operations which do not require high performance and can subsequently reduce power consumption.

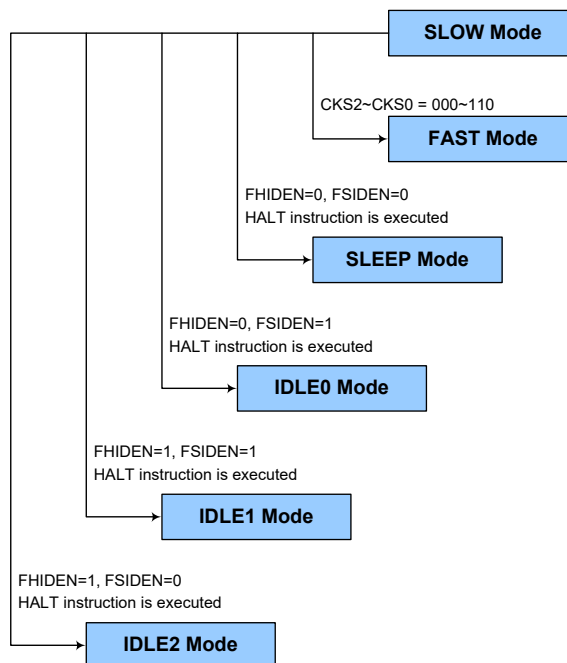
The SLOW Mode is sourced from the LXT or LIRC oscillator determined by the FSS bit in the SCC register and therefore requires this oscillator to be stable before full mode switching occurs.



SLOW Mode to FAST Mode Switching

In SLOW mode the system clock is derived from f_{SUB} . When system clock is switched back to the FAST mode from f_{SUB} , the CKS2~CKS0 bits should be set to "000" ~ "110" and then the system clock will respectively be switched to $f_H \sim f_H/64$.

However, if f_H is not used in SLOW mode and thus switched off, it will take some time to re-oscillate and stabilise when switching to the FAST mode from the SLOW Mode. This is monitored using the HXTF bit in the HXTC register or the HIRCF bit in the HIRCC register. The time duration required for the high speed system oscillator stabilization is specified in the relevant characteristics.



Entering the SLEEP Mode

There is only one way for the device to enter the SLEEP Mode and that is to execute the "HALT" instruction in the application program with both the FHIDEN and FSIDEN bits in the SCC register equal to "0". In this mode all the clocks and functions will be switched off except the WDT function. When this instruction is executed under the conditions described above, the following will occur:

- The system clock will be stopped and the application program will stop at the "HALT" instruction.
- The Data Memory contents and registers will maintain their present condition.
- The I/O ports will maintain their present conditions.
- In the status register, the Power Down flag PDF will be set, and WDT timeout flag TO will be cleared.
- The WDT will be cleared and resume counting if the WDT function is enabled by the WDTC register.

Entering the IDLE0 Mode

There is only one way for the device to enter the IDLE0 Mode and that is to execute the "HALT" instruction in the application program with the FHIDEN bit in the SCC register equal to "0" and the FSIDEN bit in the SCC register equal to "1". When this instruction is executed under the conditions described above, the following will occur:

- The f_H clock will be stopped and the application program will stop at the "HALT" instruction, but the f_{SUB} clock will be on.
- The Data Memory contents and registers will maintain their present condition.
- The I/O ports will maintain their present conditions.
- In the status register, the Power Down flag PDF will be set, and WDT timeout flag TO will be cleared.
- The WDT will be cleared and resume counting if the WDT function is enabled by the WDTC register.

Entering the IDLE1 Mode

There is only one way for the device to enter the IDLE1 Mode and that is to execute the "HALT" instruction in the application program with both the FHIDEN and FSIDEN bits in the SCC register equal to "1". When this instruction is executed under the conditions described above, the following will occur:

- The f_H and f_{SUB} clocks will be on but the application program will stop at the "HALT" instruction.
- The Data Memory contents and registers will maintain their present condition.
- The I/O ports will maintain their present conditions.
- In the status register, the Power Down flag PDF will be set, and WDT timeout flag TO will be cleared.
- The WDT will be cleared and resume counting if the WDT function is enabled by the WDTC register.

Entering the IDLE2 Mode

There is only one way for the device to enter the IDLE2 Mode and that is to execute the "HALT" instruction in the application program with the FHIDEN bit in the SCC register equal to "1" and the FSIDEN bit in the SCC register equal to "0". When this instruction is executed under the conditions described above, the following will occur:

- The f_H clock will be on but the f_{SUB} clock will be off and the application program will stop at the "HALT" instruction.
- The Data Memory contents and registers will maintain their present condition.
- The I/O ports will maintain their present conditions.
- In the status register, the Power Down flag PDF will be set, and WDT timeout flag TO will be cleared.
- The WDT will be cleared and resume counting if the WDT function is enabled by the WDTC register.

Standby Current Considerations

As the main reason for entering the SLEEP or IDLE Mode is to keep the current consumption of the device to as low a value as possible, perhaps only in the order of several micro-amps except in the IDLE1 and IDLE2 Mode, there are other considerations which must also be taken into account by the circuit designer if the power consumption is to be minimised. Special attention must be made to the I/O pins on the device. All high-impedance input pins must be connected to either a fixed high or low level as any floating input pins could create internal oscillations and result in increased current consumption. This also applies to devices which have different package types, as there may be unbonded pins. These must either be setup as outputs or if setup as inputs must have pull-high resistors connected.

Care must also be taken with the loads, which are connected to I/O pins, which are setup as outputs. These should be placed in a condition in which minimum current is drawn or connected only to external circuits that do not draw current, such as other CMOS inputs. Also note that additional standby current will also be required if the LIRC oscillator has enabled.

In the IDLE1 and IDLE 2 Mode the high speed oscillator is on, if the peripheral function clock source is derived from the high speed oscillator, the additional standby current will also be perhaps in the order of several hundred micro-amps.

Wake-up

To minimise power consumption the device can enter the SLEEP or any IDLE Mode, where the CPU will be switched off. However, when the device is woken up again, it will take a considerable time for the original system oscillator to restart, stabilise and allow normal operation to resume.

After the system enters the SLEEP or IDLE Mode, it can be woken up from one of various sources listed as follows:

- An external falling edge on Port A
- An external reset
- A system interrupt
- A WDT overflow

When the device executes the "HALT" instruction, the PDF flag will be set to 1. The PDF flag will be cleared to 0 if the device experiences a system power-up or executes the clear Watchdog Timer instruction. If the system is woken up by a WDT overflow, a Watchdog Timer reset will be initiated and the TO flag will be set to 1. The TO flag is set if a WDT time-out occurs and causes a wake-up that only resets the Program Counter and Stack Pointer, other flags remain in their original status.

Each pin on Port A can be setup using the PAWU register to permit a negative transition on the pin to wake up the system. When a Port A pin wake-up occurs, the program will resume execution at the instruction following the "HALT" instruction. If the system is woken up by an interrupt, then two possible situations may occur. The first is where the related interrupt is disabled or the interrupt is enabled but the stack is full, in which case the program will resume execution at the instruction following the "HALT" instruction. In this situation, the interrupt which woke up the device will not be immediately serviced, but will rather be serviced later when the related interrupt is finally enabled or when a stack level becomes free. The other situation is where the related interrupt is enabled and the stack is not full, in which case the regular interrupt response takes place. If an interrupt request flag is set high before entering the SLEEP or IDLE Mode, the wake-up function of the related interrupt will be disabled.

Watchdog Timer

The Watchdog Timer is provided to prevent program malfunctions or sequences from jumping to unknown locations, due to certain uncontrollable external events such as electrical noise.

Watchdog Timer Clock Source

The Watchdog Timer clock source is provided by the internal RC oscillator, f_{LIRC} . The LIRC internal oscillator has an approximate frequency of 32 kHz and this specified internal clock period can vary with V_{DD} , temperature and process variations. The Watchdog Timer source clock is then subdivided by a ratio of 2^8 to 2^{18} to give longer timeouts, the actual value being chosen using the WS2~WS0 bits in the WDTC register.

Watchdog Timer Control Register

A single register, WDTC, controls the required timeout period as well as the enable/disable operation. This register controls the overall operation of the Watchdog Timer.

WDTC Register

Bit	7	6	5	4	3	2	1	0
Name	WE4	WE3	WE2	WE1	WE0	WS2	WS1	WS0
R/W	R/W	R/W	R/W	R/W	R/W	R/W	R/W	R/W
POR	0	1	0	1	0	0	1	1

Bit 7~3 **WE4~WE0**: WDT function enable control

10101: Disabled

01010: Enabled

Other values: Reset MCU

If these bits are changed due to adverse environmental conditions, the microcontroller will be reset. The reset operation will be activated after a delay time, t_{SRESET} , and the WRF bit in the RSTFC register will be set to 1.

Bit 2~0 **WS2~WS0**: WDT time-out period selection

000: $2^8/f_{LIRC}$

001: $2^{10}/f_{LIRC}$

010: $2^{12}/f_{LIRC}$

011: $2^{14}/f_{LIRC}$

100: $2^{15}/f_{LIRC}$

101: $2^{16}/f_{LIRC}$

110: $2^{17}/f_{LIRC}$

111: $2^{18}/f_{LIRC}$

These three bits determine the division ratio of the watchdog timer source clock, which in turn determines the time-out period.

RSTFC Register

Bit	7	6	5	4	3	2	1	0
Name	—	—	—	—	RSTF	LVRF	LRF	WRF
R/W	—	—	—	—	R/W	R/W	R/W	R/W
POR	—	—	—	—	0	x	0	0

"x": unknown

Bit 7~4 Unimplemented, read as "0"

Bit 3 **RSTF**: Reset control register software reset flag
Described elsewhere.

Bit 2 **LVRF**: LVR function reset flag
Described elsewhere.

Bit 1 **LRF**: LVR control register software reset flag
Described elsewhere.

Bit 0 **WRF**: WDT control register software reset flag
 0: Not occurred
 1: Occurred

This bit is set to 1 by the WDT control register software reset and cleared by the application program. Note that this bit can only be cleared to 0 by the application program.

Watchdog Timer Operation

The Watchdog Timer operates by providing a device reset when its timer overflows. This means that in the application program and during normal operation the user has to strategically clear the Watchdog Timer before it overflows to prevent the Watchdog Timer from executing a reset. This is done using the clear watchdog instruction. If the program malfunctions for whatever reason, jumps to an unknown location, or enters an endless loop, the clear instruction will not be executed in the correct manner, in which case the Watchdog Timer will overflow and reset the device. With regard to the Watchdog Timer enable/disable function, there are five bits, WE4~WE0, in the WDTC register to offer the enable/disable control and reset control of the Watchdog Timer. The WDT function will be enabled when the WE4~WE0 bits are set to a value of 01010B while the WDT function will be disabled if the WE4~WE0 bits are equal to 10101B. If the WE4~WE0 bits are set to any other values rather than 01010B and 10101B, it will reset the device after a delay time, t_{SRESET} . After power on these bits will have a value of 01010B.

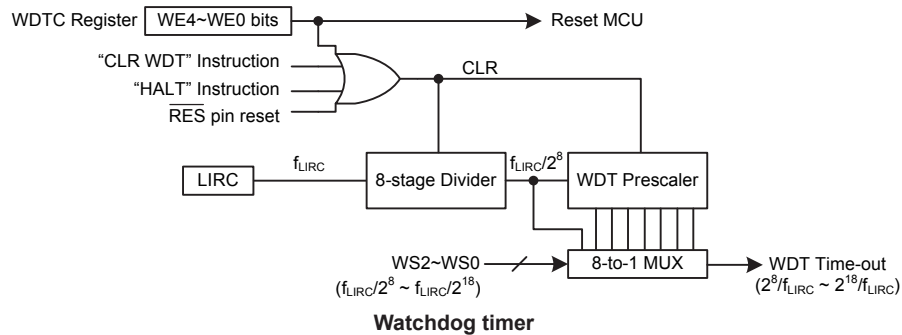
WE4 ~ WE0 Bits	WDT Function
10101B	Disable
01010B	Enable
Any other value	Reset MCU

Watchdog Timer Enable/Disable Control

Under normal program operation, a Watchdog Timer time-out will initialise a device reset and set the status bit TO. However, if the system is in the SLEEP or IDLE Mode, when a Watchdog Timer time-out occurs, the TO bit in the status register will be set and only the Program Counter and Stack Pointer will be reset. Four methods can be adopted to clear the contents of the Watchdog Timer. The first is a WDT reset, which means a certain value except 01010B and 10101B written into the WE4~WE0 field, the second is using the Watchdog Timer software clear instruction and the third is via a HALT instruction. The last is an external hardware reset, which means a low level on the external reset pin if the external reset pin exists by the RSTC register.

There is only one method of using software instruction to clear the Watchdog Timer. That is to use the single "CLR WDT" instruction to clear the WDT contents.

The maximum time out period is when the 2^{18} division ratio is selected. As an example, with a 32 kHz LIRC oscillator as its source clock, this will give a maximum watchdog period of around 8 second for the 2^{18} division ratio and a minimum timeout of 8ms for the 2^8 division ratio.



Reset and Initialisation

A reset function is a fundamental part of any microcontroller ensuring that the device can be set to some predetermined condition irrespective of outside parameters. The most important reset condition is after power is first applied to the microcontroller. In this case, internal circuitry will ensure that the microcontroller, after a short delay, will be in a well defined state and ready to execute the first program instruction. After this power-on reset, certain important internal registers will be set to defined states before the program commences. One of these registers is the Program Counter, which will be reset to zero forcing the microcontroller to begin program execution from the lowest Program Memory address.

In addition to the power-on reset, situations may arise where it is necessary to forcefully apply a reset condition when the microcontroller is already running, the $\overline{\text{RES}}$ line is forcefully pulled low. In such a case, known as a normal operation reset, some of the microcontroller registers remain unchanged allowing the microcontroller to proceed with normal operation after the reset line is allowed to return high.

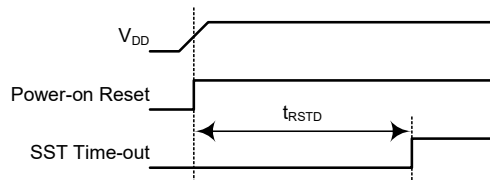
The Watchdog Timer overflow is one of many reset types and will reset the microcontroller. Another reset exists in the form of a Low Voltage Reset, LVR, where a full reset, similar to the $\overline{\text{RES}}$ reset is implemented in situations where the power supply voltage falls below a certain threshold. Another type of reset is when the Watchdog Timer overflows and resets the microcontroller. All types of reset operations result in different register conditions being setup.

Reset Functions

There are five ways in which a microcontroller reset can occur, through events occurring both internally and externally.

Power-on Reset

The most fundamental and unavoidable reset is the one that occurs after power is first applied to the microcontroller. As well as ensuring that the Program Memory begins execution from the first memory address, a power-on reset also ensures that certain other registers are preset to known conditions. All the I/O port and port control registers will power up in a high condition ensuring that all pins will be first set to inputs.

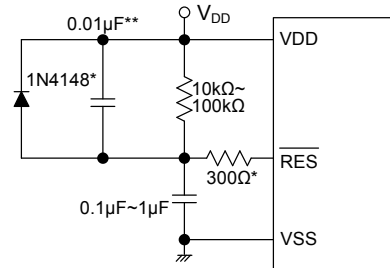


Note: t_{RSTD} is power-on delay with typical time=48 ms

Power-On Reset Timing Chart

RES Pin Reset

As the reset pin is shared with I/O pins, the reset function must be selected using a control register, RSTC. Although the microcontroller has an internal RC reset function, if the VDD power supply rise time is not fast enough or does not stabilise quickly at power-on, the internal reset function may be incapable of providing proper reset operation. For this reason it is recommended that an external RC network is connected to the $\overline{\text{RES}}$ pin, whose additional time delay will ensure that the $\overline{\text{RES}}$ pin remains low for an extended period to allow the power supply to stabilise. During this time delay, normal operation of the microcontroller will be inhibited. After the $\overline{\text{RES}}$ line reaches a certain voltage value, the reset delay time, t_{RSTD} , is invoked to provide an extra delay time after which the microcontroller will begin normal operation. The abbreviation SST in the figures stands for System Start-up Time. For most applications a resistor connected between VDD and the RES line and a capacitor connected between VSS and the RES pin will provide a suitable external reset circuit. Any wiring connected to the $\overline{\text{RES}}$ pin should be kept as short as possible to minimise any stray noise interference. For applications that operate within an environment where more noise is present the Enhanced Reset Circuit shown is recommended.

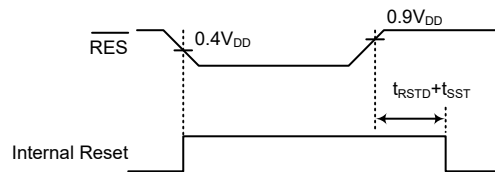


Note: "*" It is recommended that this component is added for added ESD protection.

"**" It is recommended that this component is added in environments where power line noise is significant.

External RES Circuit

Pulling the $\overline{\text{RES}}$ pin low using external hardware will also execute a device reset. In this case, as in the case of other resets, the Program Counter will reset to zero and program execution initiated from this point.



Note: t_{RSTD} is power-on delay with typical time=16 ms

RES Reset Timing Chart

There is an internal reset control register, RSTC, which is used to select the external $\overline{\text{RES}}$ pin function and provide a reset when the device operates abnormally due to the environmental noise interference. If the content of the RSTC register is set to any value other than 01010101B or 10101010B, it will reset the device after a delay time, t_{SRESET} . After power on the register will have a value of 01010101B.

RSTC7 ~ RSTC0 Bits	Reset Function
01010101B	$\overline{\text{I/O}}$
10101010B	$\overline{\text{RES}}$
Any other value	Reset MCU

Internal Reset Function Control

• **RSTC Register**

Bit	7	6	5	4	3	2	1	0
Name	RSTC7	RSTC6	RSTC5	RSTC4	RSTC3	RSTC2	RSTC1	RSTC0
R/W	R/W	R/W	R/W	R/W	R/W	R/W	R/W	R/W
POR	0	1	0	1	0	1	0	1

Bit 7~0 **RSTC7~RSTC0**: Reset function control
 01010101: $\overline{\text{I/O}}$ pin
 10101010: $\overline{\text{RES}}$ pin
 Other values: Reset MCU

If these bits are changed due to adverse environmental conditions, the microcontroller will be reset. The reset operation will be activated after a delay time, t_{SRESET} , and the RSTF bit in the RSTFC register will be set to 1.

All resets will reset this register to POR value except the WDT time out hardware warm reset. Note that if the register is set to 10101010 to select the $\overline{\text{RES}}$ pin, this configuration has higher priority than other related pin-shared controls.

• **RSTFC Register**

Bit	7	6	5	4	3	2	1	0
Name	—	—	—	—	RSTF	LVRF	LRF	WRF
R/W	—	—	—	—	R/W	R/W	R/W	R/W
POR	—	—	—	—	0	x	0	0

"x": unknown

Bit 7~4 Unimplemented, read as "0"

Bit 3 **RSTF**: Reset control register software reset flag
 0: Not occurred
 1: Occurred

This bit is set to 1 by the RSTC control register software reset and cleared by the application program. Note that this bit can only be cleared to 0 by the application program.

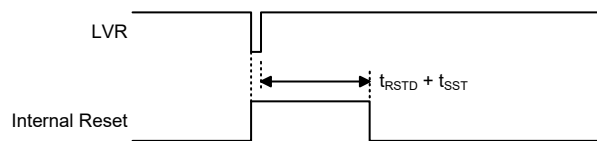
Bit 2 **LVRF**: LVR function reset flag
 Described elsewhere.

Bit 1 **LRF**: LVR control register software reset flag
 Described elsewhere.

Bit 0 **WRF**: WDT control register software reset flag
 Described elsewhere.

Low Voltage Reset – LVR

The microcontroller contains a low voltage reset circuit in order to monitor the supply voltage of the device. The LVR function is always enabled with a specific LVR voltage, V_{LVR} . If the supply voltage of the device drops to within a range of $0.9V \sim V_{LVR}$ such as might occur when changing the battery, the LVR will automatically reset the device internally and the LVRF bit in the RSTFC register will also be set to 1. For a valid LVR signal, a low supply voltage, i.e., a voltage in the range between $0.9V \sim V_{LVR}$ must exist for a time greater than that specified by t_{LVR} in the LVD/LVR Electrical characteristics. If the low supply voltage state does not exceed this value, the LVR will ignore the low supply voltage and will not perform a reset function. The actual V_{LVR} value can be selected by the LVS bits in the LVRC register. If the LVS7~LVS0 bits have any other value, which may perhaps occur due to adverse environmental conditions such as noise, the LVR will reset the device after a delay time, t_{SRESET} . When this happens, the LRF bit in the RSTFC register will be set to 1. After power on the register will have the value of 01010101B. Note that the LVR function will be automatically disabled when the device enters the power down mode.



Note: t_{RSTD} is power-on delay with typical time=48 ms

Low Voltage Reset Timing Chart

• LVRC Register

Bit	7	6	5	4	3	2	1	0
Name	LVS7	LVS6	LVS5	LVS4	LVS3	LVS2	LVS1	LVS0
R/W	R/W	R/W	R/W	R/W	R/W	R/W	R/W	R/W
POR	0	1	0	1	0	1	0	1

Bit 7~0 **LVS7~LVS0**: LVR voltage select

01010101: 2.1V
 00110011: 2.55V
 10011001: 3.15V
 10101010: 3.8V

Other values: Generates a MCU reset – register is reset to POR value

When an actual low voltage condition occurs, as specified by one of the four defined LVR voltage value above, an MCU reset will generated. The reset operation will be activated after the low voltage condition keeps more than a t_{LVR} time. In this situation the register contents will remain the same after such a reset occurs.

Any register value, other than the four defined register values above, will also result in the generation of an MCU reset. The reset operation will be activated after a delay time, t_{SRESET} . However in this situation the register contents will be reset to the POR value.

• RSTFC Register

Bit	7	6	5	4	3	2	1	0
Name	—	—	—	—	RSTF	LVRF	LRF	WRF
R/W	—	—	—	—	R/W	R/W	R/W	R/W
POR	—	—	—	—	0	x	0	0

"x": unknown

Bit 7~4 Unimplemented, read as "0"

Bit 3 **RSTF**: Reset control register software reset flag
 Described elsewhere.

Bit 2 **LVRF**: LVR function reset flag

0: Not occurred

1: Occurred

This bit is set to 1 when a specific low voltage reset condition occurs. Note that this bit can only be cleared to 0 by the application program.

Bit 1 **LRF**: LVR control register software reset flag

0: Not occurred

1: Occurred

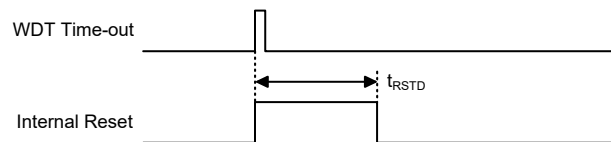
This bit is set to 1 by the LVRC control register contains any undefined LVR voltage register values. This in effect acts like a software-reset function. Note that this bit can only be cleared to 0 by the application program.

Bit 0 **WRF**: WDT control register software reset flag

Described elsewhere.

Watchdog Time-out Reset during Normal Operation

The Watchdog time-out Reset during normal operation is the same as the hardware Low Voltage Reset except that the Watchdog time-out flag TO will be set to "1".

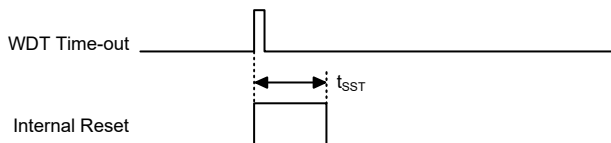


Note: t_{RSTD} is power-on delay with typical time=16 ms

WDT Time-out Reset during Normal Operation Timing Chart

Watchdog Time-out Reset during SLEEP or IDLE Mode

The Watchdog time-out Reset during SLEEP or IDLE Mode is a little different from other kinds of reset. Most of the conditions remain unchanged except that the Program Counter and the Stack Pointer will be cleared to "0" and the TO flag will be set to "1". Refer to the A.C. Characteristics for t_{SST} details.



WDT Time-out Reset during SLEEP or IDLE Mode Timing Chart

Reset Initial Conditions

The different types of reset described affect the reset flags in different ways. These flags, known as PDF and TO are located in the status register and are controlled by various microcontroller operations, such as the SLEEP or IDLE Mode function or Watchdog Timer. The reset flags are shown in the table:

TO	PDF	Reset Function
0	0	Power-on reset
u	u	RES or LVR reset during FAST or SLOW Mode operation
1	u	WDT time-out reset during FAST or SLOW Mode operation
1	1	WDT time-out reset during IDLE or SLEEP Mode operation

"u" stands for unchanged

The following table indicates the way in which the various components of the microcontroller are affected after a power-on reset occurs.

Item	Reset Function
Program Counter	Reset to zero
Interrupts	All interrupts will be disabled
WDT, Time Base	Clear after reset, WDT begins counting
Timer Modules	Timer Modules will be turned off
Input/Output Ports	I/O ports will be setup as inputs
Stack pointer	Stack pointer will point to the top of the stack

The different kinds of resets all affect the internal registers of the microcontroller in different ways. To ensure reliable continuation of normal program execution after a reset occurs, it is important to know what condition the microcontroller is in after a particular reset occurs. The following table describes how each type of reset affects the microcontroller internal registers.

Register	HT67F2350	HT67F2360	HT67F2370	HT67F2390	Reset (Power On)	RES Reset (Normal Operation)	LVR Reset (Normal Operation)	WDT Time-out (Normal Operation)	WDT Time-out (IDLE/SLEEP)
IAR0	•	•	•	•	0000 0000	0000 0000	0000 0000	0000 0000	uuuu uuuu
MP0	•	•	•	•	0000 0000	0000 0000	0000 0000	0000 0000	uuuu uuuu
IAR1	•	•	•	•	0000 0000	0000 0000	0000 0000	0000 0000	uuuu uuuu
MP1L	•	•	•	•	0000 0000	0000 0000	0000 0000	0000 0000	uuuu uuuu
MP1H	•	•	•	•	0000 0000	0000 0000	0000 0000	0000 0000	uuuu uuuu
ACC	•	•	•	•	xxxx xxxx	uuuu uuuu	uuuu uuuu	uuuu uuuu	uuuu uuuu
PCL	•	•	•	•	0000 0000	0000 0000	0000 0000	0000 0000	0000 0000
TBLP	•	•	•	•	xxxx xxxx	uuuu uuuu	uuuu uuuu	uuuu uuuu	uuuu uuuu
TBLH	•	•	•	•	xxxx xxxx	uuuu uuuu	uuuu uuuu	uuuu uuuu	uuuu uuuu
TBHP	•				--x xxxx	--u uuuu	--u uuuu	--u uuuu	--u uuuu
TBHP		•			--xx xxxx	--uu uuuu	--uu uuuu	--uu uuuu	--uu uuuu
TBHP			•		-xxx xxxx	-uuu uuuu	-uuu uuuu	-uuu uuuu	-uuu uuuu
TBHP				•	xxxx xxxx	uuuu uuuu	uuuu uuuu	uuuu uuuu	uuuu uuuu
STATUS	•	•	•	•	xx00 xxxx	uuuu uuuu	uuuu uuuu	xx1u uuuu	uu11 uuuu
PBP		•			---- --0	---- --0	---- --0	---- --0	---- --u
PBP			•		---- --00	---- --00	---- --00	---- --00	---- --uu
PBP				•	---- -000	---- -000	---- -000	---- -000	---- -uuu
IAR2	•	•	•	•	xxxx xxxx	uuuu uuuu	uuuu uuuu	uuuu uuuu	uuuu uuuu
MP2L	•	•	•	•	0000 0000	0000 0000	0000 0000	0000 0000	uuuu uuuu
MP2H	•	•	•	•	0000 0000	0000 0000	0000 0000	0000 0000	uuuu uuuu
RSTFC	•	•	•	•	---- 0x00	---- uuuu	---- u1uu	---- uuuu	---- uuuu
INTC0	•	•	•	•	-000 0000	-000 0000	-000 0000	-000 0000	-uuu uuuu
INTC1	•	•	•	•	0000 0000	0000 0000	0000 0000	0000 0000	uuuu uuuu
INTC2	•	•	•	•	0000 0000	0000 0000	0000 0000	0000 0000	uuuu uuuu
INTC3	•	•	•	•	0000 0000	0000 0000	0000 0000	0000 0000	uuuu uuuu
PA	•	•	•	•	1111 1111	1111 1111	1111 1111	1111 1111	uuuu uuuu
PAC	•	•	•	•	1111 1111	1111 1111	1111 1111	1111 1111	uuuu uuuu
PAPU	•	•	•	•	0000 0000	0000 0000	0000 0000	0000 0000	uuuu uuuu
PAWU	•	•	•	•	0000 0000	0000 0000	0000 0000	0000 0000	uuuu uuuu
PB	•	•	•	•	1111 1111	1111 1111	1111 1111	1111 1111	uuuu uuuu
PBC	•	•	•	•	1111 1111	1111 1111	1111 1111	1111 1111	uuuu uuuu
PBPU	•	•	•	•	0000 0000	0000 0000	0000 0000	0000 0000	uuuu uuuu

Register	HT67F2350	HT67F2360	HT67F2370	HT67F2390	Reset (Power On)	RES Reset (Normal Operation)	LVR Reset (Normal Operation)	WDT Time-out (Normal Operation)	WDT Time-out (IDLE/SLEEP)
PC	•	•	•	•	1111 1111	1111 1111	1111 1111	1111 1111	uuuu uuuu
PCC	•	•	•	•	1111 1111	1111 1111	1111 1111	1111 1111	uuuu uuuu
PCPU	•	•	•	•	0000 0000	0000 0000	0000 0000	0000 0000	uuuu uuuu
PD	•	•	•	•	-111 1111	-111 1111	-111 1111	-111 1111	-uuu uuuu
PDC	•	•	•	•	-111 1111	-111 1111	-111 1111	-111 1111	-uuu uuuu
PDP	•	•	•	•	-000 0000	-000 0000	-000 0000	-000 0000	-uuu uuuu
PE	•	•	•	•	1111 1111	1111 1111	1111 1111	1111 1111	uuuu uuuu
PEC	•	•	•	•	1111 1111	1111 1111	1111 1111	1111 1111	uuuu uuuu
PEPU	•	•	•	•	0000 0000	0000 0000	0000 0000	0000 0000	uuuu uuuu
PF	•	•	•	•	1111 1111	1111 1111	1111 1111	1111 1111	uuuu uuuu
PFC	•	•	•	•	1111 1111	1111 1111	1111 1111	1111 1111	uuuu uuuu
PFP	•	•	•	•	0000 0000	0000 0000	0000 0000	0000 0000	uuuu uuuu
PG	•				1111 ----	1111 ----	1111 ----	1111 ----	uuuu ----
PG		•	•	•	1111 1111	1111 1111	1111 1111	1111 1111	uuuu uuuu
PGC	•				1111 ----	1111 ----	1111 ----	1111 ----	uuuu ----
PGC		•	•	•	1111 1111	1111 1111	1111 1111	1111 1111	uuuu uuuu
PGPU	•				0000 ----	0000 ----	0000 ----	0000 ----	uuuu ----
PGPU		•	•	•	0000 0000	0000 0000	0000 0000	0000 0000	uuuu uuuu
PH		•	•	•	1111 1111	1111 1111	1111 1111	1111 1111	uuuu uuuu
PHC		•	•	•	1111 1111	1111 1111	1111 1111	1111 1111	uuuu uuuu
PHPU		•	•	•	0000 0000	0000 0000	0000 0000	0000 0000	uuuu uuuu
PJ	•				11-- 1111	11-- 1111	11-- 1111	11-- 1111	uu-- uuuu
PJ		•	•	•	1111 1111	1111 1111	1111 1111	1111 1111	uuuu uuuu
PJC	•				11-- 1111	11-- 1111	11-- 1111	11-- 1111	uu-- uuuu
PJC		•	•	•	1111 1111	1111 1111	1111 1111	1111 1111	uuuu uuuu
PJPU	•				00-- 0000	00-- 0000	00-- 0000	00-- 0000	uu-- uuuu
PJPU		•	•	•	0000 0000	0000 0000	0000 0000	0000 0000	uuuu uuuu
CRCCR	•	•	•	•	---- ---0	---- ---0	---- ---0	---- ---0	---- ---u
CRCIN	•	•	•	•	0000 0000	0000 0000	0000 0000	0000 0000	uuuu uuuu
CRCDL	•	•	•	•	0000 0000	0000 0000	0000 0000	0000 0000	uuuu uuuu
CRCDH	•	•	•	•	0000 0000	0000 0000	0000 0000	0000 0000	uuuu uuuu
IECC	•	•	•	•	0000 0000	0000 0000	0000 0000	0000 0000	uuuu uuuu
RSTC	•	•	•	•	0101 0101	0101 0101	0101 0101	0101 0101	uuuu uuuu
VBGRC	•	•	•	•	---- ---0	---- ---0	---- ---0	---- ---0	---- ---u
INTEG	•	•	•	•	0000 0000	0000 0000	0000 0000	0000 0000	uuuu uuuu
SCC	•	•	•	•	000- 0000	000- 0000	000- 0000	000- 0000	uuu- uuuu
HIRCC	•	•	•	•	---- 0001	---- 0001	---- 0001	---- 0001	---- uuuu
HXTC	•	•	•	•	---- -000	---- -000	---- -000	---- -000	---- -uuu
LXTC	•	•	•	•	---- --00	---- --00	---- --00	---- --00	---- --uu
WDTC	•	•	•	•	0101 0011	0101 0011	0101 0011	0101 0011	uuuu uuuu
LVRC	•	•	•	•	0101 0101	0101 0101	uuuu uuuu	0101 0101	uuuu uuuu
LVDC	•	•	•	•	--00 0000	--00 0000	--00 0000	--00 0000	--uu uuuu
EEA	•	•			0000 0000	0000 0000	0000 0000	0000 0000	uuuu uuuu
EEAL			•	•	0000 0000	0000 0000	0000 0000	0000 0000	uuuu uuuu
EEAH			•		---- ---0	---- ---0	---- ---0	---- ---0	---- ---u

Register	HT67F2350	HT67F2360	HT67F2370	HT67F2390	Reset (Power On)	RES Reset (Normal Operation)	LVR Reset (Normal Operation)	WDT Time-out (Normal Operation)	WDT Time-out (IDLE/SLEEP)
EEAH				•	---- --00	---- --00	---- --00	---- --00	---- --uu
EED	•	•	•	•	0000 0000	0000 0000	0000 0000	0000 0000	uuuu uuuu
CP0C	•	•	•	•	-000 00--	-000 00--	-000 00--	-000 00--	-uuu uu--
CP1C	•	•	•	•	-000 00--	-000 00--	-000 00--	-000 00--	-uuu uu--
MF10	•	•	•	•	0000 0000	0000 0000	0000 0000	0000 0000	uuuu uuuu
MF11	•	•	•	•	0000 0000	0000 0000	0000 0000	0000 0000	uuuu uuuu
MF12	•	•	•	•	--00 --00	--00 --00	--00 --00	--00 --00	--uu --uu
MF13	•	•	•	•	0000 0000	0000 0000	0000 0000	0000 0000	uuuu uuuu
MF14	•	•	•	•	0000 0000	0000 0000	0000 0000	0000 0000	uuuu uuuu
MF15	•	•			--00 --00	--00 --00	--00 --00	--00 --00	--uu --uu
MF15			•	•	-000 -000	-000 -000	-000 -000	-000 -000	-uuu -uuu
MF16		•	•	•	-000 -000	-000 -000	-000 -000	-000 -000	-uuu -uuu
MF17		•	•	•	-000 -000	-000 -000	-000 -000	-000 -000	-uuu -uuu
MF18		•	•	•	-000 -000	-000 -000	-000 -000	-000 -000	-uuu -uuu
MF19		•	•	•	-000 -000	-000 -000	-000 -000	-000 -000	-uuu -uuu
LCDC0	•	•	•	•	0000 0000	0000 0000	0000 0000	0000 0000	uuuu uuuu
LCDC1	•	•	•	•	0000 0000	0000 0000	0000 0000	0000 0000	uuuu uuuu
LCDC2	•	•	•	•	---- -000	---- -000	---- -000	---- -000	---- -uuu
SLEDC0	•	•	•	•	0000 0000	0000 0000	0000 0000	0000 0000	uuuu uuuu
SLEDC1	•	•	•	•	0000 0000	0000 0000	0000 0000	0000 0000	uuuu uuuu
SLEDC2	•	•	•	•	0000 0000	0000 0000	0000 0000	0000 0000	uuuu uuuu
SLEDC3	•				---- 00--	---- 00--	---- 00--	---- 00--	---- uu--
SLEDC3		•	•	•	0000 0000	0000 0000	0000 0000	0000 0000	uuuu uuuu
SLEDC4	•	•	•	•	---- 0000	---- 0000	---- 0000	---- 0000	---- uuuu
MDUWR0	•	•	•	•	xxxx xxxx	0000 0000	0000 0000	0000 0000	uuuu uuuu
MDUWR1	•	•	•	•	xxxx xxxx	0000 0000	0000 0000	0000 0000	uuuu uuuu
MDUWR2	•	•	•	•	xxxx xxxx	0000 0000	0000 0000	0000 0000	uuuu uuuu
MDUWR3	•	•	•	•	xxxx xxxx	0000 0000	0000 0000	0000 0000	uuuu uuuu
MDUWR4	•	•	•	•	xxxx xxxx	0000 0000	0000 0000	0000 0000	uuuu uuuu
MDUWR5	•	•	•	•	xxxx xxxx	0000 0000	0000 0000	0000 0000	uuuu uuuu
MDUWCTRL	•	•	•	•	00-- ----	00-- ----	00-- ----	00-- ----	uu-- ----
CP0VOS	•	•	•	•	-001 0000	-001 0000	-001 0000	-001 0000	-uuu uuuu
CP1VOS	•	•	•	•	-001 0000	-001 0000	-001 0000	-001 0000	-uuu uuuu
PSC0R	•	•	•	•	---- --00	---- --00	---- --00	---- --00	---- --uu
TB0C	•	•	•	•	0--- -000	0--- -000	0--- -000	0--- -000	u--- -uuu
TB1C	•	•	•	•	0--- -000	0--- -000	0--- -000	0--- -000	u--- -uuu
PSC1R	•	•	•	•	---- --00	---- --00	---- --00	---- --00	---- --uu
SADOL	•	•	•	•	xxxx ----	xxxx ----	xxxx ----	xxxx ----	uuuu ---- (ADRF5=0)
									uuuu uuuu (ADRF5=0)
SADOH	•	•	•	•	xxxx xxxx	uuuu uuuu	uuuu uuuu	uuuu uuuu	uuuu uuuu (ADRF5=0)
									---- uuuu (ADRF5=0)
SADC0	•	•	•	•	0000 0000	0000 0000	0000 0000	0000 0000	uuuu uuuu

Register	HT67F2350	HT67F2360	HT67F2370	HT67F2390	Reset (Power On)	RES Reset (Normal Operation)	LVR Reset (Normal Operation)	WDT Time-out (Normal Operation)	WDT Time-out (IDLE/SLEEP)
SADC1	•	•	•	•	0000 -000	0000 -000	0000 -000	0000 -000	uuuu -uuu
SADC2	•	•	•	•	0-00 0000	0-00 0000	0-00 0000	0-00 0000	u-uu uuuu
SIMC0	•	•	•	•	111- 0000	111- 0000	111- 0000	111- 0000	uuu- uuuu
SIMC1	•	•	•	•	1000 0001	1000 0001	1000 0001	1000 0001	uuuu uuuu
SIMD	•	•	•	•	xxxx xxxx	xxxx xxxx	xxxx xxxx	xxxx xxxx	uuuu uuuu
SIMA/SIMC2	•	•	•	•	0000 0000	0000 0000	0000 0000	0000 0000	uuuu uuuu
SIMTOC	•	•	•	•	0000 0000	0000 0000	0000 0000	0000 0000	uuuu uuuu
SPIAC0	•	•	•	•	111- --00	111- --00	111- --00	111- --00	uuu- --uu
SPIAC1	•	•	•	•	--00 0000	--00 0000	--00 0000	--00 0000	--uu uuuu
SPIAD	•	•	•	•	xxxx xxxx	xxxx xxxx	xxxx xxxx	xxxx xxxx	uuuu uuuu
FARL	•	•	•	•	0000 0000	0000 0000	0000 0000	0000 0000	uuuu uuuu
FARH	•				--0 0000	--0 0000	--0 0000	--0 0000	--u uuuu
FARH		•			--00 0000	--00 0000	--00 0000	--00 0000	--uu uuuu
FARH			•		-000 0000	-000 0000	-000 0000	-000 0000	-uuu uuuu
FARH				•	0000 0000	0000 0000	0000 0000	0000 0000	uuuu uuuu
FD0L	•	•	•	•	0000 0000	0000 0000	0000 0000	0000 0000	uuuu uuuu
FD0H	•	•	•	•	0000 0000	0000 0000	0000 0000	0000 0000	uuuu uuuu
FD1L	•	•	•	•	0000 0000	0000 0000	0000 0000	0000 0000	uuuu uuuu
FD1H	•	•	•	•	0000 0000	0000 0000	0000 0000	0000 0000	uuuu uuuu
FD2L	•	•	•	•	0000 0000	0000 0000	0000 0000	0000 0000	uuuu uuuu
FD2H	•	•	•	•	0000 0000	0000 0000	0000 0000	0000 0000	uuuu uuuu
FD3L	•	•	•	•	0000 0000	0000 0000	0000 0000	0000 0000	uuuu uuuu
FD3H	•	•	•	•	0000 0000	0000 0000	0000 0000	0000 0000	uuuu uuuu
PTM0C0	•	•	•	•	0000 0---	0000 0---	0000 0---	0000 0---	uuuu u---
PTM0C1	•	•	•	•	0000 0000	0000 0000	0000 0000	0000 0000	uuuu uuuu
PTM0DL	•	•	•	•	0000 0000	0000 0000	0000 0000	0000 0000	uuuu uuuu
PTM0DH	•	•	•	•	---- --00	---- --00	---- --00	---- --00	---- --uu
PTM0AL	•	•	•	•	0000 0000	0000 0000	0000 0000	0000 0000	uuuu uuuu
PTM0AH	•	•	•	•	---- --00	---- --00	---- --00	---- --00	---- --uu
PTM0RPL	•	•	•	•	0000 0000	0000 0000	0000 0000	0000 0000	uuuu uuuu
PTM0RPH	•	•	•	•	---- --00	---- --00	---- --00	---- --00	---- --uu
STM0C0	•	•	•	•	0000 0---	0000 0---	0000 0---	0000 0---	uuuu u---
STM0C1	•	•	•	•	0000 0000	0000 0000	0000 0000	0000 0000	uuuu uuuu
STM0DL	•	•	•	•	0000 0000	0000 0000	0000 0000	0000 0000	uuuu uuuu
STM0DH	•	•	•	•	0000 0000	0000 0000	0000 0000	0000 0000	uuuu uuuu
STM0AL	•	•	•	•	0000 0000	0000 0000	0000 0000	0000 0000	uuuu uuuu
STM0AH	•	•	•	•	0000 0000	0000 0000	0000 0000	0000 0000	uuuu uuuu
STM0RP	•	•	•	•	0000 0000	0000 0000	0000 0000	0000 0000	uuuu uuuu
U0SR	•	•	•	•	0000 1011	0000 1011	0000 1011	0000 1011	uuuu uuuu
U0CR1	•	•	•	•	0000 00x0	0000 00x0	0000 00x0	0000 00x0	uuuu uuuu
U0CR2	•	•	•	•	0000 0000	0000 0000	0000 0000	0000 0000	uuuu uuuu
TXR_RXR0	•	•	•	•	xxxx xxxx	xxxx xxxx	xxxx xxxx	xxxx xxxx	uuuu uuuu
BRG0	•	•	•	•	xxxx xxxx	xxxx xxxx	xxxx xxxx	xxxx xxxx	uuuu uuuu
U1SR	•	•	•	•	0000 1011	0000 1011	0000 1011	0000 1011	uuuu uuuu
U1CR1	•	•	•	•	0000 00x0	0000 00x0	0000 00x0	0000 00x0	uuuu uuuu

Register	HT67F2350	HT67F2360	HT67F2370	HT67F2390	Reset (Power On)	RES Reset (Normal Operation)	LVR Reset (Normal Operation)	WDT Time-out (Normal Operation)	WDT Time-out (IDLE/SLEEP)
U1CR2	•	•	•	•	0000 0000	0000 0000	0000 0000	0000 0000	uuuu uuuu
TXR_RXR1	•	•	•	•	xxxx xxxx	xxxx xxxx	xxxx xxxx	xxxx xxxx	uuuu uuuu
BRG1	•	•	•	•	xxxx xxxx	xxxx xxxx	xxxx xxxx	xxxx xxxx	uuuu uuuu
U2SR			•	•	0000 1011	0000 1011	0000 1011	0000 1011	uuuu uuuu
U2CR1			•	•	0000 00x0	0000 00x0	0000 00x0	0000 00x0	uuuu uuuu
U2CR2			•	•	0000 0000	0000 0000	0000 0000	0000 0000	uuuu uuuu
TXR_RXR2			•	•	xxxx xxxx	xxxx xxxx	xxxx xxxx	xxxx xxxx	uuuu uuuu
BRG2			•	•	xxxx xxxx	xxxx xxxx	xxxx xxxx	xxxx xxxx	uuuu uuuu
PTM1C0	•	•	•	•	0000 0---	0000 0---	0000 0---	0000 0---	uuuu u---
PTM1C1	•	•	•	•	0000 0000	0000 0000	0000 0000	0000 0000	uuuu uuuu
PTM1DL	•	•	•	•	0000 0000	0000 0000	0000 0000	0000 0000	uuuu uuuu
PTM1DH	•	•	•	•	---- --00	---- --00	---- --00	---- --00	---- --uu
PTM1AL	•	•	•	•	0000 0000	0000 0000	0000 0000	0000 0000	uuuu uuuu
PTM1AH	•	•	•	•	---- --00	---- --00	---- --00	---- --00	---- --uu
PTM1RPL	•	•	•	•	0000 0000	0000 0000	0000 0000	0000 0000	uuuu uuuu
PTM1RPH	•	•	•	•	---- --00	---- --00	---- --00	---- --00	---- --uu
PTM2C0	•	•	•	•	0000 0---	0000 0---	0000 0---	0000 0---	uuuu u---
PTM2C1	•	•	•	•	0000 0000	0000 0000	0000 0000	0000 0000	uuuu uuuu
PTM2DL	•	•	•	•	0000 0000	0000 0000	0000 0000	0000 0000	uuuu uuuu
PTM2DH	•	•	•	•	0000 0000	0000 0000	0000 0000	0000 0000	uuuu uuuu
PTM2AL	•	•	•	•	0000 0000	0000 0000	0000 0000	0000 0000	uuuu uuuu
PTM2AH	•	•	•	•	0000 0000	0000 0000	0000 0000	0000 0000	uuuu uuuu
PTM2RPL	•	•	•	•	0000 0000	0000 0000	0000 0000	0000 0000	uuuu uuuu
PTM2RPH	•	•	•	•	0000 0000	0000 0000	0000 0000	0000 0000	uuuu uuuu
PTM3C0	•	•	•	•	0000 0---	0000 0---	0000 0---	0000 0---	uuuu u---
PTM3C1	•	•	•	•	0000 0000	0000 0000	0000 0000	0000 0000	uuuu uuuu
PTM3DL	•	•	•	•	0000 0000	0000 0000	0000 0000	0000 0000	uuuu uuuu
PTM3DH	•	•	•	•	0000 0000	0000 0000	0000 0000	0000 0000	uuuu uuuu
PTM3AL	•	•	•	•	0000 0000	0000 0000	0000 0000	0000 0000	uuuu uuuu
PTM2AH	•	•	•	•	0000 0000	0000 0000	0000 0000	0000 0000	uuuu uuuu
PTM3RPL	•	•	•	•	0000 0000	0000 0000	0000 0000	0000 0000	uuuu uuuu
PTM3RPH	•	•	•	•	0000 0000	0000 0000	0000 0000	0000 0000	uuuu uuuu
STM1C0	•	•	•	•	0000 0---	0000 0---	0000 0---	0000 0---	uuuu u---
STM1C1	•	•	•	•	0000 0000	0000 0000	0000 0000	0000 0000	uuuu uuuu
STM1DL	•	•	•	•	0000 0000	0000 0000	0000 0000	0000 0000	uuuu uuuu
STM1DH	•	•	•	•	0000 0000	0000 0000	0000 0000	0000 0000	uuuu uuuu
STM1AL	•	•	•	•	0000 0000	0000 0000	0000 0000	0000 0000	uuuu uuuu
STM1AH	•	•	•	•	0000 0000	0000 0000	0000 0000	0000 0000	uuuu uuuu
STM1RP	•	•	•	•	0000 0000	0000 0000	0000 0000	0000 0000	uuuu uuuu
STM2C0	•	•	•	•	0000 0---	0000 0---	0000 0---	0000 0---	uuuu u---
STM2C1	•	•	•	•	0000 0000	0000 0000	0000 0000	0000 0000	uuuu uuuu
STM2DL	•	•	•	•	0000 0000	0000 0000	0000 0000	0000 0000	uuuu uuuu
STM2DH	•	•	•	•	0000 0000	0000 0000	0000 0000	0000 0000	uuuu uuuu
STM2AL	•	•	•	•	0000 0000	0000 0000	0000 0000	0000 0000	uuuu uuuu
STM2AH	•	•	•	•	0000 0000	0000 0000	0000 0000	0000 0000	uuuu uuuu

Register	HT67F2350	HT67F2360	HT67F2370	HT67F2390	Reset (Power On)	RES Reset (Normal Operation)	LVR Reset (Normal Operation)	WDT Time-out (Normal Operation)	WDT Time-out (IDLE/SLEEP)
STM2RP	•	•	•	•	0000 0000	0000 0000	0000 0000	0000 0000	uuuu uuuu
EEC	•	•	•	•	---- 0000	---- 0000	---- 0000	---- 0000	---- uuuu
FC0	•	•	•	•	0000 0000	0000 0000	0000 0000	0000 0000	uuuu uuuu
FC1	•	•	•	•	0000 0000	0000 0000	0000 0000	0000 0000	uuuu uuuu
FC2	•	•	•	•	---- ---0	---- ---0	---- ---0	---- ---0	---- ---u
IFS0	•	•	•	•	-000 0000	-000 0000	-000 0000	-000 0000	-uuu uuuu
IFS1	•	•	•	•	-000 0000	-000 0000	-000 0000	-000 0000	-uuu uuuu
IFS2	•	•	•	•	-000 0000	-000 0000	-000 0000	-000 0000	-uuu uuuu
IFS3		•	•	•	0000 0000	0000 0000	0000 0000	0000 0000	uuuu uuuu
IFS4	•	•			---- --00	---- --00	---- --00	---- --00	---- --uu
IFS4			•	•	---- -000	---- -000	---- -000	---- -000	---- -uuu
PAS0	•	•	•	•	0000 0000	0000 0000	0000 0000	0000 0000	uuuu uuuu
PAS1	•	•	•	•	0000 0000	0000 0000	0000 0000	0000 0000	uuuu uuuu
PBS0	•	•	•	•	0000 0000	0000 0000	0000 0000	0000 0000	uuuu uuuu
PBS1	•	•	•	•	0000 0000	0000 0000	0000 0000	0000 0000	uuuu uuuu
PCS0	•	•	•	•	0000 0000	0000 0000	0000 0000	0000 0000	uuuu uuuu
PCS1	•	•	•	•	0000 0000	0000 0000	0000 0000	0000 0000	uuuu uuuu
PDS0	•	•	•	•	0000 0000	0000 0000	0000 0000	0000 0000	uuuu uuuu
PDS1	•	•	•	•	--00 0000	--00 0000	--00 0000	--00 0000	--uu uuuu
PES0	•	•	•	•	0000 0000	0000 0000	0000 0000	0000 0000	uuuu uuuu
PES1	•	•	•	•	0000 0000	0000 0000	0000 0000	0000 0000	uuuu uuuu
PFS0	•	•	•	•	0000 0000	0000 0000	0000 0000	0000 0000	uuuu uuuu
PFS1	•	•	•	•	0000 0000	0000 0000	0000 0000	0000 0000	uuuu uuuu
PGS0		•	•	•	0000 0000	0000 0000	0000 0000	0000 0000	uuuu uuuu
PGS1	•	•	•	•	0000 0000	0000 0000	0000 0000	0000 0000	uuuu uuuu
PHS0		•	•	•	0000 0000	0000 0000	0000 0000	0000 0000	uuuu uuuu
PHS1		•	•	•	0000 0000	0000 0000	0000 0000	0000 0000	uuuu uuuu
PJS0	•	•	•	•	0000 0000	0000 0000	0000 0000	0000 0000	uuuu uuuu
PJS1	•				0000 ----	0000 ----	0000 ----	0000 ----	uuuu ----
PJS1		•	•	•	0000 0000	0000 0000	0000 0000	0000 0000	uuuu uuuu
PTM4C0	•	•	•	•	0000 0---	0000 0---	0000 0---	0000 0---	uuuu u---
PTM4C1	•	•	•	•	0000 0000	0000 0000	0000 0000	0000 0000	uuuu uuuu
PTM4DL	•	•	•	•	0000 0000	0000 0000	0000 0000	0000 0000	uuuu uuuu
PTM4DH	•	•	•	•	---- --00	---- --00	---- --00	---- --00	---- --uu
PTM4AL	•	•	•	•	0000 0000	0000 0000	0000 0000	0000 0000	uuuu uuuu
PTM4AH	•	•	•	•	---- --00	---- --00	---- --00	---- --00	---- --uu
PTM4RPL	•	•	•	•	0000 0000	0000 0000	0000 0000	0000 0000	uuuu uuuu
PTM4RPH	•	•	•	•	---- --00	---- --00	---- --00	---- --00	---- --uu
PTM5C0	•	•	•	•	0000 0---	0000 0---	0000 0---	0000 0---	uuuu u---
PTM5C1	•	•	•	•	0000 0000	0000 0000	0000 0000	0000 0000	uuuu uuuu
PTM5DL	•	•	•	•	0000 0000	0000 0000	0000 0000	0000 0000	uuuu uuuu
PTM5DH	•	•	•	•	---- --00	---- --00	---- --00	---- --00	---- --uu
PTM5AL	•	•	•	•	0000 0000	0000 0000	0000 0000	0000 0000	uuuu uuuu
PTM5AH	•	•	•	•	---- --00	---- --00	---- --00	---- --00	---- --uu
PTM5RPL	•	•	•	•	0000 0000	0000 0000	0000 0000	0000 0000	uuuu uuuu

Register	HT67F2350	HT67F2360	HT67F2370	HT67F2390	Reset (Power On)	RES Reset (Normal Operation)	LVR Reset (Normal Operation)	WDT Time-out (Normal Operation)	WDT Time-out (IDLE/SLEEP)
PTM5RPH	•	•	•	•	---- --00	---- --00	---- --00	---- --00	---- --uu
PTM6C0	•	•	•	•	0000 0---	0000 0---	0000 0---	0000 0---	uuuu u---
PTM6C1	•	•	•	•	0000 0000	0000 0000	0000 0000	0000 0000	uuuu uuuu
PTM6DL	•	•	•	•	0000 0000	0000 0000	0000 0000	0000 0000	uuuu uuuu
PTM6DH	•	•	•	•	---- --00	---- --00	---- --00	---- --00	---- --uu
PTM6AL	•	•	•	•	0000 0000	0000 0000	0000 0000	0000 0000	uuuu uuuu
PTM6AH	•	•	•	•	---- --00	---- --00	---- --00	---- --00	---- --uu
PTM6RPL	•	•	•	•	0000 0000	0000 0000	0000 0000	0000 0000	uuuu uuuu
PTM6RPH	•	•	•	•	---- --00	---- --00	---- --00	---- --00	---- --uu
PTM7C0	•	•	•	•	0000 0---	0000 0---	0000 0---	0000 0---	uuuu u---
PTM7C1	•	•	•	•	0000 0000	0000 0000	0000 0000	0000 0000	uuuu uuuu
PTM7DL	•	•	•	•	0000 0000	0000 0000	0000 0000	0000 0000	uuuu uuuu
PTM7DH	•	•	•	•	---- --00	---- --00	---- --00	---- --00	---- --uu
PTM7AL	•	•	•	•	0000 0000	0000 0000	0000 0000	0000 0000	uuuu uuuu
PTM7AH	•	•	•	•	---- --00	---- --00	---- --00	---- --00	---- --uu
PTM7RPL	•	•	•	•	0000 0000	0000 0000	0000 0000	0000 0000	uuuu uuuu
PTM7RPH	•	•	•	•	---- --00	---- --00	---- --00	---- --00	---- --uu

Note: "u" stands for unchanged
 "x" stands for "unknown"
 "-" stands for unimplemented

Input/Output Ports

Holtek microcontrollers offer considerable flexibility on their I/O ports. With the input or output designation of every pin fully under user program control, pull-high selections for all ports and wake-up selections on certain pins, the user is provided with an I/O structure to meet the needs of a wide range of application possibilities.

These devices provide bidirectional input/output lines. These I/O ports are mapped to the RAM Data Memory with specific addresses as shown in the Special Purpose Data Memory table. All of these I/O ports can be used for input and output operations. For input operation, these ports are non-latching, which means the inputs must be ready at the T2 rising edge of instruction "MOV A, [m]", where m denotes the port address. For output operation, all the data is latched and remains unchanged until the output latch is rewritten.

Register Name	Bit							
	7	6	5	4	3	2	1	0
PA	PA7	PA6	PA5	PA4	PA3	PA2	PA1	PA0
PAC	PAC7	PAC6	PAC5	PAC4	PAC3	PAC2	PAC1	PAC0
PAPU	PAPU7	PAPU6	PAPU5	PAPU4	PAPU3	PAPU2	PAPU1	PAPU0
PAWU	PAWU7	PAWU6	PAWU5	PAWU4	PAWU3	PAWU2	PAWU1	PAWU0
PB	PB7	PB6	PB5	PB4	PB3	PB2	PB1	PB0
PBC	PBC7	PBC6	PBC5	PBC4	PBC3	PBC2	PBC1	PBC0
PBPU	PBPU7	PBPU6	PBPU5	PBPU4	PBPU3	PBPU2	PBPU1	PBPU0
PC	PC7	PC6	PC5	PC4	PC3	PC2	PC1	PC0
PCC	PCC7	PCC6	PCC5	PCC4	PCC3	PCC2	PCC1	PCC0
PCPU	PCPU7	PCPU6	PCPU5	PCPU4	PCPU3	PCPU2	PCPU1	PCPU0
PD	—	PD6	PD5	PD4	PD3	PD2	PD1	PD0
PDC	—	PDC6	PDC5	PDC4	PDC3	PDC2	PDC1	PDC0
PDPU	—	PDPU6	PDPU5	PDPU4	PDPU3	PDPU2	PDPU1	PDPU0
PE	PE7	PE6	PE5	PE4	PE3	PE2	PE1	PE0
PEC	PEC7	PEC6	PEC5	PEC4	PEC3	PEC2	PEC1	PEC0
PEPU	PEPU7	PEPU6	PEPU5	PEPU4	PEPU3	PEPU2	PEPU1	PEPU0
PF	PF7	PF6	PF5	PF4	PF3	PF2	PF1	PF0
PFC	PFC7	PFC6	PFC5	PFC4	PFC3	PFC2	PFC1	PFC0
PFPU	PFPU7	PFPU6	PFPU5	PFPU4	PFPU3	PFPU2	PFPU1	PFPU0
PG	PG7	PG6	PG5	PG4	—	—	—	—
PGC	PGC7	PGC6	PGC5	PGC4	—	—	—	—
PGPU	PGPU7	PGPU6	PGPU5	PGPU4	—	—	—	—
PJ	PJ7	PJ6	—	—	PJ3	PJ2	PJ1	PJ0
PJC	PJC7	PJC6	—	—	PJC3	PJC2	PJC1	PJC0
PJPU	PJPU7	PJPU6	—	—	PJPU3	PJPU2	PJPU1	PJPU0

"—": Unimplemented, read as "0"

I/O Logic Function Registers List – HT67F2350

Register Name	Bit							
	7	6	5	4	3	2	1	0
PA	PA7	PA6	PA5	PA4	PA3	PA2	PA1	PA0
PAC	PAC7	PAC6	PAC5	PAC4	PAC3	PAC2	PAC1	PAC0
PAPU	PAPU7	PAPU6	PAPU5	PAPU4	PAPU3	PAPU2	PAPU1	PAPU0
PAWU	PAWU7	PAWU6	PAWU5	PAWU4	PAWU3	PAWU2	PAWU1	PAWU0
PB	PB7	PB6	PB5	PB4	PB3	PB2	PB1	PB0
PBC	PBC7	PBC6	PBC5	PBC4	PBC3	PBC2	PBC1	PBC0
PBPU	PBPU7	PBPU6	PBPU5	PBPU4	PBPU3	PBPU2	PBPU1	PBPU0
PC	PC7	PC6	PC5	PC4	PC3	PC2	PC1	PC0
PCC	PCC7	PCC6	PCC5	PCC4	PCC3	PCC2	PCC1	PCC0
PCPU	PCPU7	PCPU6	PCPU5	PCPU4	PCPU3	PCPU2	PCPU1	PCPU0
PD	—	PD6	PD5	PD4	PD3	PD2	PD1	PD0
PDC	—	PDC6	PDC5	PDC4	PDC3	PDC2	PDC1	PDC0
PDPU	—	PDPU6	PDPU5	PDPU4	PDPU3	PDPU2	PDPU1	PDPU0
PE	PE7	PE6	PE5	PE4	PE3	PE2	PE1	PE0
PEC	PEC7	PEC6	PEC5	PEC4	PEC3	PEC2	PEC1	PEC0
PEPU	PEPU7	PEPU6	PEPU5	PEPU4	PEPU3	PEPU2	PEPU1	PEPU0
PF	PF7	PF6	PF5	PF4	PF3	PF2	PF1	PF0
PFC	PFC7	PFC6	PFC5	PFC4	PFC3	PFC2	PFC1	PFC0
PFPU	PFPU7	PFPU6	PFPU5	PFPU4	PFPU3	PFPU2	PFPU1	PFPU0
PG	PG7	PG6	PG5	PG4	PG3	PG2	PG1	PG0
PGC	PGC7	PGC6	PGC5	PGC4	PGC3	PGC2	PGC1	PGC0
PGPU	PGPU7	PGPU6	PGPU5	PGPU4	PGPU3	PGPU2	PGPU1	PGPU0
PH	PH7	PH6	PH5	PH4	PH3	PH2	PH1	PH0
PHC	PHC7	PHC6	PHC5	PHC4	PHC3	PHC2	PHC1	PHC0
PHPU	PHPU7	PHPU6	PHPU5	PHPU4	PHPU3	PHPU2	PHPU1	PHPU0
PJ	PJ7	PJ6	PJ5	PJ4	PJ3	PJ2	PJ1	PJ0
PJC	PJC7	PJC6	PJC5	PJC4	PJC3	PJC2	PJC1	PJC0
PJPU	PJPU7	PJPU6	PJPU5	PJPU4	PJPU3	PJPU2	PJPU1	PJPU0

"—": Unimplemented, read as "0"

I/O Logic Function Registers List – HT67F2360/HT67F2370/HT67F2390

Pull-high Resistors

Many product applications require pull-high resistors for their switch inputs usually requiring the use of an external resistor. To eliminate the need for these external resistors, all I/O pins, when configured as an input have the capability of being connected to an internal pull-high resistor. These pull-high resistors are selected using the relevant pull-high control registers and are implemented using weak PMOS transistors. Note that the pull-high resistor can be controlled by the relevant pull-high control register only when the pin-shared functional pin is selected as an input or NMOS output. Otherwise, the pull-high resistors can not be enabled.

PxPU Register

Bit	7	6	5	4	3	2	1	0
Name	PxPU7	PxPU6	PxPU5	PxPU4	PxPU3	PxPU2	PxPU1	PxPU0
R/W	R/W	R/W	R/W	R/W	R/W	R/W	R/W	R/W
POR	0	0	0	0	0	0	0	0

PxPUn: I/O Port x Pin pull-high function control

0: Disable

1: Enable

The PxPUn bit is used to control the pin pull-high function. Here the "x" is the Port name which can be A, B, C, D, E, F, G, H or J respectively depending upon the selected device. However, the actual available bits for each I/O Port may be different.

Port A Wake-up

The HALT instruction forces the microcontroller into the SLEEP or IDLE Mode which preserves power, a feature that is important for battery and other low-power applications. Various methods exist to wake-up the microcontroller, one of which is to change the logic condition on one of the Port A pins from high to low. This function is especially suitable for applications that can be woken up via external switches. Each pin on Port A can be selected individually to have this wake-up feature using the PAWU register. Note that the wake-up function can be controlled by the wake-up control registers only when the pin-shared functional pin is selected as general purpose input/output and the MCU enters the Power down mode.

PAWU Register

Bit	7	6	5	4	3	2	1	0
Name	PAWU7	PAWU6	PAWU5	PAWU4	PAWU3	PAWU2	PAWU1	PAWU0
R/W	R/W	R/W	R/W	R/W	R/W	R/W	R/W	R/W
POR	0	0	0	0	0	0	0	0

Bit 7~0 **PAWU7~PAWU0:** Port A pin Wake-up function control

0: Disable

1: Enable

I/O Port Control Registers

Each Port has its own control register which controls the input/output configuration. With this control register, each I/O pin with or without pull-high resistors can be reconfigured dynamically under software control. For the I/O pin to function as an input, the corresponding bit of the control register must be written as a "1". This will then allow the logic state of the input pin to be directly read by instructions. When the corresponding bit of the control register is written as a "0", the I/O pin will be setup as a CMOS output. If the pin is currently setup as an output, instructions can still be used to read the output register.

However, it should be noted that the program will in fact only read the status of the output data latch and not the actual logic status of the output pin.

PxC Register

Bit	7	6	5	4	3	2	1	0
Name	PxC7	PxC6	PxC5	PxC4	PxC3	PxC2	PxC1	PxC0
R/W	R/W	R/W	R/W	R/W	R/W	R/W	R/W	R/W
POR	1	1	1	1	1	1	1	1

PxCn: I/O Port x Pin type selection

0: Output

1: Input

The PxCn bit is used to control the pin type selection. Here the "x" is the Port name which can be A, B, C, D, E, F, G, H or J respectively depending upon the selected device. However, the actual available bits for each I/O Port may be different.

I/O Port Source Current Control

These devices support different source current driving capability for each I/O port. With the selection register, SLEDCn, specific I/O port can support four levels of the source current driving capability. Users should refer to the I/O Port characteristics section to select the desired source current for different applications.

Register Name	Bit							
	7	6	5	4	3	2	1	0
SLEDC0	SLEDC07	SLEDC06	SLEDC05	SLEDC04	SLEDC03	SLEDC02	SLEDC01	SLEDC00
SLEDC1	SLEDC17	SLEDC16	SLEDC15	SLEDC14	SLEDC13	SLEDC12	SLEDC11	SLEDC10
SLEDC2	SLEDC27	SLEDC26	SLEDC25	SLEDC24	SLEDC23	SLEDC22	SLEDC21	SLEDC20
SLEDC3 (HT67F2350)	—	—	—	—	SLEDC33	SLEDC32	—	—
SLEDC3 (HT67F2360/70/90)	SLEDC37	SLEDC36	SLEDC35	SLEDC34	SLEDC33	SLEDC32	SLEDC31	SLEDC30
SLEDC4	—	—	—	—	SLEDC43	SLEDC42	SLEDC41	SLEDC40

I/O Port Source Current Control Registers List

SLEDC0 Register

Bit	7	6	5	4	3	2	1	0
Name	SLEDC07	SLEDC06	SLEDC05	SLEDC04	SLEDC03	SLEDC02	SLEDC01	SLEDC00
R/W	R/W	R/W	R/W	R/W	R/W	R/W	R/W	R/W
POR	0	0	0	0	0	0	0	0

- Bit 7~6 **SLEDC07~SLEDC06:** PB7~PB4 source current selection
00: source current=Level 0 (min.)
01: source current=Level 1
10: source current=Level 2
11: source current=Level 3 (max.)
- Bit 5~4 **SLEDC05~SLEDC04:** PB3~PB0 source current selection
00: source current=Level 0 (min.)
01: source current=Level 1
10: source current=Level 2
11: source current=Level 3 (max.)
- Bit 3~2 **SLEDC03~SLEDC02:** PA7~PA4 source current selection
00: source current=Level 0 (min.)
01: source current=Level 1
10: source current=Level 2
11: source current=Level 3 (max.)
- Bit 1~0 **SLEDC01~SLEDC00:** PA3~PA0 source current selection
00: source current=Level 0 (min.)
01: source current=Level 1
10: source current=Level 2
11: source current=Level 3 (max.)

SLEDC1 Register

Bit	7	6	5	4	3	2	1	0
Name	SLEDC17	SLEDC16	SLEDC15	SLEDC14	SLEDC13	SLEDC12	SLEDC11	SLEDC10
R/W	R/W	R/W	R/W	R/W	R/W	R/W	R/W	R/W
POR	0	0	0	0	0	0	0	0

- Bit 7~6 **SLEDC17~SLEDC16:** PD6~PD4 source current selection
00: source current=Level 0 (min.)
01: source current=Level 1
10: source current=Level 2
11: source current=Level 3 (max.)
- Bit 5~4 **SLEDC15~SLEDC14:** PD3~PD0 source current selection
00: source current=Level 0 (min.)
01: source current=Level 1
10: source current=Level 2
11: source current=Level 3 (max.)
- Bit 3~2 **SLEDC13~SLEDC12:** PC7~PC4 source current selection
00: source current=Level 0 (min.)
01: source current=Level 1
10: source current=Level 2
11: source current=Level 3 (max.)
- Bit 1~0 **SLEDC11~SLEDC10:** PC3~PC0 source current selection
00: source current=Level 0 (min.)
01: source current=Level 1
10: source current=Level 2
11: source current=Level 3 (max.)

SLEDC2 Register

Bit	7	6	5	4	3	2	1	0
Name	SLEDC27	SLEDC26	SLEDC25	SLEDC24	SLEDC23	SLEDC22	SLEDC21	SLEDC20
R/W	R/W	R/W	R/W	R/W	R/W	R/W	R/W	R/W
POR	0	0	0	0	0	0	0	0

- Bit 7~6 **SLEDC27~SLEDC26:** PF7~PF4 source current selection
 00: source current=Level 0 (min.)
 01: source current=Level 1
 10: source current=Level 2
 11: source current=Level 3 (max.)
- Bit 5~4 **SLEDC25~SLEDC24:** PF3~PF0 source current selection
 00: source current=Level 0 (min.)
 01: source current=Level 1
 10: source current=Level 2
 11: source current=Level 3 (max.)
- Bit 3~2 **SLEDC23~SLEDC22:** PE4~PE7 source current selection
 00: source current=Level 0 (min.)
 01: source current=Level 1
 10: source current=Level 2
 11: source current=Level 3 (max.)
- Bit 1~0 **SLEDC21~SLEDC20:** PE3~PE0 source current selection
 00: source current=Level 0 (min.)
 01: source current=Level 1
 10: source current=Level 2
 11: source current=Level 3 (max.)

SLEDC3 Register – HT67F2350

Bit	7	6	5	4	3	2	1	0
Name	—	—	—	—	SLEDC33	SLEDC32	—	—
R/W	—	—	—	—	R/W	R/W	—	—
POR	—	—	—	—	0	0	—	—

- Bit 7~4 Unimplemented, read as "0"
- Bit 3~2 **SLEDC33~SLEDC32:** PG7~PG4 source current selection
 00: source current=Level 0 (min.)
 01: source current=Level 1
 10: source current=Level 2
 11: source current=Level 3 (max.)
- Bit 1~0 Unimplemented, read as "0"

SLEDC3 Register – HT67F2360/HT67F2370/HT67F2390

Bit	7	6	5	4	3	2	1	0
Name	SLEDC37	SLEDC36	SLEDC35	SLEDC34	SLEDC33	SLEDC32	SLEDC31	SLEDC30
R/W	R/W	R/W	R/W	R/W	R/W	R/W	R/W	R/W
POR	0	0	0	0	0	0	0	0

- Bit 7~6 **SLEDC37~SLEDC36:** PH7~PH4 source current selection
 00: source current=Level 0 (min.)
 01: source current=Level 1
 10: source current=Level 2
 11: source current=Level 3 (max.)

- Bit 5~4 **SLEDC35~SLEDC34:** PH3~PH0 source current selection
 00: source current=Level 0 (min.)
 01: source current=Level 1
 10: source current=Level 2
 11: source current=Level 3 (max.)

- Bit 3~2 **SLEDC33~SLEDC32:** PG7~PG4 source current selection
 00: source current=Level 0 (min.)
 01: source current=Level 1
 10: source current=Level 2
 11: source current=Level 3 (max.)

- Bit 1~0 **SLEDC31~SLEDC30:** PG3~PG0 source current selection
 00: source current=Level 0 (min.)
 01: source current=Level 1
 10: source current=Level 2
 11: source current=Level 3 (max.)

SLEDC4 Register – HT67F2350

Bit	7	6	5	4	3	2	1	0
Name	—	—	—	—	SLEDC43	SLEDC42	SLEDC41	SLEDC40
R/W	—	—	—	—	R/W	R/W	R/W	R/W
POR	—	—	—	—	0	0	0	0

- Bit 7~4 Unimplemented, read as "0"

- Bit 3~2 **SLEDC43~SLEDC42:** PJ7~PJ6 source current selection
 00: source current=Level 0 (min.)
 01: source current=Level 1
 10: source current=Level 2
 11: source current=Level 3 (max.)

- Bit 1~0 **SLEDC41~SLEDC40:** PJ3~PJ0 source current selection
 00: source current=Level 0 (min.)
 01: source current=Level 1
 10: source current=Level 2
 11: source current=Level 3 (max.)

SLEDC4 Register – HT67F2360/HT67F2370/HT67F2390

Bit	7	6	5	4	3	2	1	0
Name	—	—	—	—	SLEDC43	SLEDC42	SLEDC41	SLEDC40
R/W	—	—	—	—	R/W	R/W	R/W	R/W
POR	—	—	—	—	0	0	0	0

- Bit 7~4 Unimplemented, read as "0"

- Bit 3~2 **SLEDC43~SLEDC42:** PJ7~PJ4 source current selection
 00: source current=Level 0 (min.)
 01: source current=Level 1
 10: source current=Level 2
 11: source current=Level 3 (max.)

- Bit 1~0 **SLEDC41~SLEDC40:** PJ3~PJ0 source current selection
 00: source current=Level 0 (min.)
 01: source current=Level 1
 10: source current=Level 2
 11: source current=Level 3 (max.)

Pin-shared Functions

The flexibility of the microcontroller range is greatly enhanced by the use of pins that have more than one function. Limited numbers of pins can force serious design constraints on designers but by supplying pins with multi-functions, many of these difficulties can be overcome. For these pins, the desired function of the multi-function I/O pins is selected by a series of registers via the application program control.

Pin-shared Function Selection Registers

The limited number of supplied pins in a package can impose restrictions on the amount of functions a certain device can contain. However by allowing the same pins to share several different functions and providing a means of function selection, a wide range of different functions can be incorporated into even relatively small package sizes. Each device includes Port "x" output function Selection register "n", labeled as PxSn, and Input Function Selection register, labeled as IFSn, which can select the desired functions of the multi-function pin-shared pins.

When the pin-shared input function is selected to be used, the corresponding input and output functions selection should be properly managed. For example, if the I²C SDA line is used, the corresponding output pin-shared function should be configured as the SDI/SDA function by configuring the PxSn register and the SDA signal input should be properly selected using the IFSn register. However, if the external interrupt function is selected to be used, the relevant output pin-shared function should be selected as an I/O function and the interrupt input signal should be selected.

The most important point to note is to make sure that the desired pin-shared function is properly selected and also deselected. For most pin-shared functions, to select the desired pin-shared function, the pin-shared function should first be correctly selected using the corresponding pin-shared control register. After that the corresponding peripheral functional setting should be configured and then the peripheral function can be enabled. However, a special point must be noted for some digital input pins, such as INTn, xTCKn, xTPnI, etc, which share the same pin-shared control configuration with their corresponding general purpose I/O functions when setting the relevant pin-shared control bit fields. To select these pin functions, in addition to the necessary pin-shared control and peripheral functional setup aforementioned, they must also be setup as an input by setting the corresponding bit in the I/O port control register. To correctly deselect the pin-shared function, the peripheral function should first be disabled and then the corresponding pin-shared function control register can be modified to select other pin-shared functions.

Register Name	Bit							
	7	6	5	4	3	2	1	0
PAS0	PAS07	PAS06	PAS05	PAS04	PAS03	PAS02	PAS01	PAS00
PAS1	PAS17	PAS16	PAS15	PAS14	PAS13	PAS12	PAS11	PAS10
PBS0	PBS07	PBS06	PBS05	PBS04	PBS03	PBS02	PBS01	PBS00
PBS1	PBS17	PBS16	PBS15	PBS14	PBS13	PBS12	PBS11	PBS10
PCS0	PCS07	PCS06	PCS05	PCS04	PCS03	PCS02	PCS01	PCS00
PCS1	PCS17	PCS16	PCS15	PCS14	PCS13	PCS12	PCS11	PCS10
PDS0	PDS07	PDS06	PDS05	PDS04	PDS03	PDS02	PDS01	PDS00
PDS1	—	—	PDS15	PDS14	PDS13	PDS12	PDS11	PDS10
PES0	PES07	PES06	PES05	PES04	PES03	PES02	PES01	PES00
PES1	PES17	PES16	PES15	PES14	PES13	PES12	PES11	PES10
PFS0	PFS07	PFS06	PFS05	PFS04	PFS03	PFS02	PFS01	PFS00
PFS1	PFS17	PFS16	PFS15	PFS14	PFS13	PFS12	PFS11	PFS10
PGS0 (HT67F2360/70/90)	PGS07	PGS06	PGS05	PGS04	PGS03	PGS02	PGS01	PGS00
PGS1	PGS17	PGS16	PGS15	PGS14	PGS13	PGS12	PGS11	PGS10
PHS0 (HT67F2360/70/90)	PHS07	PHS06	PHS05	PHS04	PHS03	PHS02	PHS01	PHS00
PHS1 (HT67F2360/70/90)	PHS17	PHS16	PHS15	PHS14	PHS13	PHS12	PHS11	PHS10
PJS0	PJS07	PJS06	PJS05	PJS04	PJS03	PJS02	PJS01	PJS00
PJS1 (HT67F2350)	PJS17	PJS16	PJS15	PJS14	—	—	—	—
PJS1 (HT67F2360/70/90)	PJS17	PJS16	PJS15	PJS14	PJS13	PJS12	PJS11	PJS10
IFS0	—	PTCK3PS	PTCK2PS	PTCK1PS	PTCK0PS	STCK2PS	STCK1PS	STCK0PS
IFS1	—	PTP3IPS	PTP2IPS	PTP1IPS	PTP0IPS	STP2IPS	STP1IPS	STP0IPS
IFS2	—	SCSBPS	SDISDAPS	SCKSCLPS	INT3PS	INT2PS	INT1PS	INT0PS
IFS3 (HT67F2360/70/90)	PTCK7PS	PTCK6PS	PTCK5PS	PTCK4PS	PTP7IPS	PTP6IPS	PTP5IPS	PTP4IPS
IFS4 (HT67F2350/60)	—	—	—	—	—	—	RX1PS	RX0PS
IFS4 (HT67F2370/90)	—	—	—	—	—	RX2PS	RX1PS	RX0PS

Pin-shared Function Selection Registers List

• **PAS0 Register**

Bit	7	6	5	4	3	2	1	0
Name	PAS07	PAS06	PAS05	PAS04	PAS03	PAS02	PAS01	PAS00
R/W	R/W	R/W	R/W	R/W	R/W	R/W	R/W	R/W
POR	0	0	0	0	0	0	0	0

- Bit 7~6 **PAS07~PAS06:** PA3 pin function selection
00, 01: PA3/INT1
10: SDO
11: SEG25
- Bit 5~4 **PAS05~PAS04:** PA2 pin function selection
00, 01, 10: PA2
11: SEG29
- Bit 3~2 **PAS03~PAS02:** PA1 pin function selection
00, 01: PA1/INT0
10: SCS
11: SEG26
- Bit 1~0 **PAS01~PAS00:** PA0 pin function selection
00, 01, 10: PA0
11: SEG30

• **PAS1 Register**

Bit	7	6	5	4	3	2	1	0
Name	PAS17	PAS16	PAS15	PAS14	PAS13	PAS12	PAS11	PAS10
R/W	R/W	R/W	R/W	R/W	R/W	R/W	R/W	R/W
POR	0	0	0	0	0	0	0	0

- Bit 7~6 **PAS17~PAS16:** PA7 pin function selection
00, 01: PA7/INT1
10: TX0
11: SEG21
- Bit 5~4 **PAS15~PAS14:** PA6 pin function selection
00, 01: PA6/INT0
10: RX0
11: SEG22
- Bit 3~2 **PAS13~PAS12:** PA5 pin function selection
00, 01: PA5/INT3
10: SCK/SCL
11: SEG23
- Bit 1~0 **PAS11~PAS10:** PA4 pin function selection
00, 01: PA4/INT2
10: SDI/SDA
11: SEG24

• **PBS0 Register – HT67F2350/HT67F2360**

Bit	7	6	5	4	3	2	1	0
Name	PBS07	PBS06	PBS05	PBS04	PBS03	PBS02	PBS01	PBS00
R/W	R/W	R/W	R/W	R/W	R/W	R/W	R/W	R/W
POR	0	0	0	0	0	0	0	0

- Bit 7~6 **PBS07~PBS06:** PB3 pin function selection
00, 01: PB3/PTP2I
10: PTP2
11: SEG27
- Bit 5~4 **PBS05~PBS04:** PB2 pin function selection
00, 01: PB2/PTP3I/PTCK2
10: PTP3
11: SEG16

- Bit 3~2 **PBS03~PBS02:** PB1 pin function selection
 00, 01, 10: PB1/PTCK3
 11: SEG31
- Bit 1~0 **PBS01~PBS00:** PB0 pin function selection
 00, 01: PB0/STCK2
 10: C0X
 11: SEG32

• **PBS0 Register – HT67F2370 /HT67F2390**

Bit	7	6	5	4	3	2	1	0
Name	PBS07	PBS06	PBS05	PBS04	PBS03	PBS02	PBS01	PBS00
R/W	R/W	R/W	R/W	R/W	R/W	R/W	R/W	R/W
POR	0	0	0	0	0	0	0	0

- Bit 7~6 **PBS07~PBS06:** PB3 pin function selection
 00, 01: PB3/PTP2I
 10: PTP2
 11: SEG27
- Bit 5~4 **PBS05~PBS04:** PB2 pin function selection
 00, 01: PB2/PTP3I/PTCK2
 10: PTP3
 11: SEG16
- Bit 3~2 **PBS03~PBS02:** PB1 pin function selection
 00, 01: PB1/PTCK3
 10: TX2
 11: SEG31
- Bit 1~0 **PBS01~PBS00:** PB0 pin function selection
 00: PB0/STCK2
 01: RX2
 10: C0X
 11: SEG32

• **PBS1 Register**

Bit	7	6	5	4	3	2	1	0
Name	PBS17	PBS16	PBS15	PBS14	PBS13	PBS12	PBS11	PBS10
R/W	R/W	R/W	R/W	R/W	R/W	R/W	R/W	R/W
POR	0	0	0	0	0	0	0	0

- Bit 7~6 **PBS17~PBS16:** PB7 pin function selection
 00, 01: PB7/STCK1
 10: OSC2
 11: SEG34
- Bit 5~4 **PBS15~PBS14:** PB6 pin function selection
 00: PB6/STP1I
 01: STP1
 10: OSC1
 11: SEG35
- Bit 3~2 **PBS13~PBS12:** PB5 pin function selection
 00, 01, 10: PB5/RES
 11: SEG36
- Bit 1~0 **PBS11~PBS10:** PB4 pin function selection
 00, 01: PB4
 10: C1X
 11: SEG28

• **PCS0 Register**

Bit	7	6	5	4	3	2	1	0
Name	PCS07	PCS06	PCS05	PCS04	PCS03	PCS02	PCS01	PCS00
R/W	R/W	R/W	R/W	R/W	R/W	R/W	R/W	R/W
POR	0	0	0	0	0	0	0	0

- Bit 7~6 **PCS07~PCS06**: PC3 pin function selection
 00: PC3/PTCK0/PTP4I
 01: PTP4
 10: AN3
 11: SEG50
- Bit 5~4 **PCS05~PCS04**: PC2 pin function selection
 00: PC2/PTP0I
 01: PTP0
 10: AN2
 11: SEG51
- Bit 3~2 **PCS03~PCS02**: PC1 pin function selection
 00: PC1
 01: COX
 10: VREF
 11: AN1
- Bit 1~0 **PCS01~PCS00**: PC0 pin function selection
 00: PC0
 01: VREFI
 10: AN0
 11: SEG52

• **PCS1 Register**

Bit	7	6	5	4	3	2	1	0
Name	PCS17	PCS16	PCS15	PCS14	PCS13	PCS12	PCS11	PCS10
R/W	R/W	R/W	R/W	R/W	R/W	R/W	R/W	R/W
POR	0	0	0	0	0	0	0	0

- Bit 7~6 **PCS17~PCS16**: PC7 pin function selection
 00: PC7/INT3/STCK0/PTP6I
 01: PTP6
 10: AN7
 11: SEG46
- Bit 5~4 **PCS15~PCS14**: PC6 pin function selection
 00: PC6/STP0I
 01: STP0
 10: AN6
 11: SEG47
- Bit 3~2 **PCS13~PCS12**: PC5 pin function selection
 00: PC5/PTCK1/PTP5I
 01: PTP5
 10: AN5
 11: SEG48
- Bit 1~0 **PCS11~PCS10**: PC4 pin function selection
 00: PC4/PTP1I
 01: PTP1
 10: AN4
 11: SEG49

• **PDS0 Register**

Bit	7	6	5	4	3	2	1	0
Name	PDS07	PDS06	PDS05	PDS04	PDS03	PDS02	PDS01	PDS00
R/W	R/W	R/W	R/W	R/W	R/W	R/W	R/W	R/W
POR	0	0	0	0	0	0	0	0

- Bit 7~6 **PDS07~PDS06:** PD3 pin function selection
00: PD3/PTCK2/PTP7I
01: PTP7
10: AN11
11: SEG43
- Bit 5~4 **PDS05~PDS04:** PD2 pin function selection
00: PD2/PTP2I
01: PTP2
10: TX1
11: AN10
- Bit 3~2 **PDS03~PDS02:** PD1 pin function selection
00: PD1/STCK1
01: RX1
10: AN9
11: SEG44
- Bit 1~0 **PDS01~PDS00:** PD0 pin function selection
00: PD0/INT2/STP1I
01: STP1
10: AN8
11: SEG45

• **PDS1 Register**

Bit	7	6	5	4	3	2	1	0
Name	—	—	PDS15	PDS14	PDS13	PDS12	PDS11	PDS10
R/W	—	—	R/W	R/W	R/W	R/W	R/W	R/W
POR	—	—	0	0	0	0	0	0

- Bit 7~6 Unimplemented, read as "0"
- Bit 5~4 **PDS15~PDS14:** PD6 pin function selection
00: PD6/STP2I
01: STP2
10: C1X
11: SEG33
- Bit 3~2 **PDS13~PDS12:** PD5 pin function selection
00: PD5/PTCK3
01: TX0
10: C1+
11: SEG38
- Bit 1~0 **PDS11~PDS10:** PD4 pin function selection
00: PD4/PTP3I
01: PTP3
10: RX0
11: C1-

• PES0 Register

Bit	7	6	5	4	3	2	1	0
Name	PES07	PES06	PES05	PES04	PES03	PES02	PES01	PES00
R/W	R/W	R/W	R/W	R/W	R/W	R/W	R/W	R/W
POR	0	0	0	0	0	0	0	0

- Bit 7~6 **PES07~PES06:** PE3 pin function selection
 00: PE3/PTP1I
 01: PTP1
 10: SCKA
 11: SEG4
- Bit 5~4 **PES05~PES04:** PE2 pin function selection
 00, 01: PE2/PTCK1
 10: SDIA
 11: SEG5
- Bit 3~2 **PES03~PES02:** PE1 pin function selection
 00: PE1/STP0I
 01: STP0
 10: SDOA
 11: SEG6
- Bit 1~0 **PES01~PES00:** PE0 pin function selection
 00, 01: PE0/STCK0
 10: $\overline{\text{SCSA}}$
 11: SEG7

• PES1 Register

Bit	7	6	5	4	3	2	1	0
Name	PES17	PES16	PES15	PES14	PES13	PES12	PES11	PES10
R/W	R/W	R/W	R/W	R/W	R/W	R/W	R/W	R/W
POR	0	0	0	0	0	0	0	0

- Bit 7~6 **PES17~PES16:** PE7 pin function selection
 00, 01: PE7
 10: V2
 11: SEG53
- Bit 5~4 **PES15~PES14:** PE6 pin function selection
 00, 01: PE6
 10: C1
 11: SEG54
- Bit 3~2 **PES13~PES12:** PE5 pin function selection
 00, 01: PE5
 10: C2
 11: SEG55
- Bit 1~0 **PES11~PES10:** PE4 pin function selection
 00, 01, 10: PE4
 11: Unimplemented

• **PFS0 Register**

Bit	7	6	5	4	3	2	1	0
Name	PFS07	PFS06	PFS05	PFS04	PFS03	PFS02	PFS01	PFS00
R/W	R/W	R/W	R/W	R/W	R/W	R/W	R/W	R/W
POR	0	0	0	0	0	0	0	0

- Bit 7~6 **PFS07~PFS06:** PF3 pin function selection
00, 01: PF3
10: SCK/SCL
11: SEG12
- Bit 5~4 **PFS05~PFS04:** PF2 pin function selection
00, 01: PF2
10: SDI/SDA
11: SEG13
- Bit 3~2 **PFS03~PFS02:** PF1 pin function selection
00, 01: PF1
10: SDO
11: SEG14
- Bit 1~0 **PFS01~PFS00:** PF0 pin function selection
00, 01: PF0
10: SCS
11: SEG15

• **PFS1 Register**

Bit	7	6	5	4	3	2	1	0
Name	PFS17	PFS16	PFS15	PFS14	PFS13	PFS12	PFS11	PFS10
R/W	R/W	R/W	R/W	R/W	R/W	R/W	R/W	R/W
POR	0	0	0	0	0	0	0	0

- Bit 7~6 **PFS17~PFS16:** PF7 pin function selection
00: PF7/STP2I
01: STP2
10: TX1
11: C0+
- Bit 5~4 **PFS15~PFS14:** PF6 pin function selection
00: PF6/STCK2
01: RX1
10: C0-
11: SEG37
- Bit 3~2 **PFS13~PFS12:** PF5 pin function selection
00, 01: PF5/PTP0I
10: PTP0
11: XT1
- Bit 1~0 **PFS11~PFS10:** PF4 pin function selection
00, 01, 10: PF4/PTCK0
11: XT2

• **PGS0 Register – HT67F2360/HT67F2370/HT67F2390**

Bit	7	6	5	4	3	2	1	0
Name	PGS07	PGS06	PGS05	PGS04	PGS03	PGS02	PGS01	PGS00
R/W	R/W	R/W	R/W	R/W	R/W	R/W	R/W	R/W
POR	0	0	0	0	0	0	0	0

- Bit 7~6 **PGS07~PGS06:** PG3 pin function selection
 00, 01, 10: PG3
 11: COM3
- Bit 5~4 **PGS05~PGS04:** PG2 pin function selection
 00, 01, 10: PG2
 11: COM2
- Bit 3~2 **PGS03~PGS02:** PG1 pin function selection
 00, 01: PG1
 10: TX2
 11: COM1
- Bit 1~0 **PGS01~PGS00:** PG0 pin function selection
 00, 01: PG0
 10: RX2
 11: COM0

• **PGS1 Register**

Bit	7	6	5	4	3	2	1	0
Name	PGS17	PGS16	PGS15	PGS14	PGS13	PGS12	PGS11	PGS10
R/W	R/W	R/W	R/W	R/W	R/W	R/W	R/W	R/W
POR	0	0	0	0	0	0	0	0

- Bit 7~6 **PGS17~PGS16:** PG7 pin function selection
 00, 01, 10: PG7
 11: COM3
- Bit 5~4 **PGS15~PGS14:** PG6 pin function selection
 00, 01, 10: PG6
 11: COM2
- Bit 3~2 **PGS13~PGS12:** PG5 pin function selection
 00, 01, 10: PG5
 11: COM1
- Bit 1~0 **PGS11~PGS10:** PG4 pin function selection
 00, 01, 10: PG4
 11: COM0

• **PHS0 Register – HT67F2360/HT67F2370/HT67F2390**

Bit	7	6	5	4	3	2	1	0
Name	PHS07	PHS06	PHS05	PHS04	PHS03	PHS02	PHS01	PHS00
R/W	R/W	R/W	R/W	R/W	R/W	R/W	R/W	R/W
POR	0	0	0	0	0	0	0	0

- Bit 7~6 **PHS07~PHS06:** PH3 pin function selection
 00, 01: PH3/PTCK5
 10: AN13
 11: SEG41
- Bit 5~4 **PHS05~PHS04:** PH2 pin function selection
 00, 01: PH2/PTCK4
 10: AN12
 11: SEG42

- Bit 3~2 **PHS03~PHS02**: PH1 pin function selection
 00, 01: PH1/PTP5I
 10: PTP5
 11: SEG19
- Bit 1~0 **PHS01~PHS00**: PH0 pin function selection
 00, 01: PH0/PTP4I
 10: PTP4
 11: SEG20

• **PHS1 Register – HT67F2360/HT67F2370/HT67F2390**

Bit	7	6	5	4	3	2	1	0
Name	PHS17	PHS16	PHS15	PHS14	PHS13	PHS12	PHS11	PHS10
R/W	R/W	R/W	R/W	R/W	R/W	R/W	R/W	R/W
POR	0	0	0	0	0	0	0	0

- Bit 7~6 **PHS17~PHS16**: PH7 pin function selection
 00, 01: PH7/PTP7I
 10: PTP7
 11: SEG17
- Bit 5~4 **PHS15~PHS14**: PH6 pin function selection
 00, 01: PH6/PTP6I
 10: PTP6
 11: SEG18
- Bit 3~2 **PHS13~PHS12**: PH5 pin function selection
 00, 01: PH5/PTCK7
 10: AN15
 11: SEG39
- Bit 1~0 **PHS11~PHS10**: PH4 pin function selection
 00, 01: PH4/PTCK6
 10: AN14
 11: SEG40

• **PJS0 Register**

Bit	7	6	5	4	3	2	1	0
Name	PJS07	PJS06	PJS05	PJS04	PJS03	PJS02	PJS01	PJS00
R/W	R/W	R/W	R/W	R/W	R/W	R/W	R/W	R/W
POR	0	0	0	0	0	0	0	0

- Bit 7~6 **PJS07~PJS06**: PJ3 pin function selection
 00, 01: PJ3
 10: COM7
 11: SEG3
- Bit 5~4 **PJS05~PJS04**: PJ2 pin function selection
 00, 01: PJ2
 10: COM6
 11: SEG2
- Bit 3~2 **PJS03~PJS02**: PJ1 pin function selection
 00, 01: PJ1
 10: COM5
 11: SEG1
- Bit 1~0 **PJS01~PJS00**: PJ0 pin function selection
 00, 01: PJ0
 10: COM4
 11: SEG0

• **PJS1 Register – HT67F2350**

Bit	7	6	5	4	3	2	1	0
Name	PJS17	PJS16	PJS15	PJS14	—	—	—	—
R/W	R/W	R/W	R/W	R/W	—	—	—	—
POR	0	0	0	0	—	—	—	—

- Bit 7~6 **PJS17~PJS16:** PJ7 pin function selection
00, 01, 10: PJ7/PTCK4
11: SEG11
- Bit 5~4 **PJS15~PJS14:** PJ6 pin function selection
00, 01, 10: PJ6/PTCK5
11: SEG10
- Bit 3~0 Unimplemented, read as "0"

• **PJS1 Register – HT67F2360/HT67F2370/HT67F2390**

Bit	7	6	5	4	3	2	1	0
Name	PJS17	PJS16	PJS15	PJS14	PJS13	PJS12	PJS11	PJS10
R/W	R/W	R/W	R/W	R/W	R/W	R/W	R/W	R/W
POR	0	0	0	0	0	0	0	0

- Bit 7~6 **PJS17~PJS16:** PJ7 pin function selection
00, 01, 10: PJ7/PTCK4
11: SEG11
- Bit 5~4 **PJS15~PJS14:** PJ6 pin function selection
00, 01, 10: PJ6/PTCK5
11: SEG10
- Bit 3~2 **PJS13~PJS12:** PJ5 pin function selection
00, 01, 10: PJ5/PTCK6
11: SEG9
- Bit 1~0 **PJS11~PJS10:** PJ4 pin function selection
00, 01, 10: PJ4/PTCK7
11: SEG8

• **IFS0 Register**

Bit	7	6	5	4	3	2	1	0
Name	—	PTCK3PS	PTCK2PS	PTCK1PS	PTCK0PS	STCK2PS	STCK1PS	STCK0PS
R/W	—	R/W	R/W	R/W	R/W	R/W	R/W	R/W
POR	—	0	0	0	0	0	0	0

- Bit 7 Unimplemented, read as "0"
- Bit 6 **PTCK3PS:** PTCK3 input source pin selection
0: PD5
1: PB1
- Bit 5 **PTCK2PS:** PTCK2 input source pin selection
0: PD3
1: PB2
- Bit 4 **PTCK1PS:** PTCK1 input source pin selection
0: PC5
1: PE2
- Bit 3 **PTCK0PS:** PTCK0 input source pin selection
0: PC3
1: PF4
- Bit 2 **STCK2PS:** STCK2 input source pin selection
0: PF6
1: PB0

- Bit 1 **STCK1PS**: STCK1 input source pin selection
 0: PD1
 1: PB7
- Bit 0 **STCK0PS**: STCK0 input source pin selection
 0: PC7
 1: PE0

• **IFS1 Register**

Bit	7	6	5	4	3	2	1	0
Name	—	PTP3IPS	PTP2IPS	PTP1IPS	PTP0IPS	STP2IPS	STP1IPS	STP0IPS
R/W	—	R/W	R/W	R/W	R/W	R/W	R/W	R/W
POR	—	0	0	0	0	0	0	0

- Bit 7 Unimplemented, read as "0"
- Bit 6 **PTP3IPS**: PTP3I input source pin selection
 0: PD4
 1: PB2
- Bit 5 **PTP2IPS**: PTP2I input source pin selection
 0: PD2
 1: PB3
- Bit 4 **PTP1IPS**: PTP1I input source pin selection
 0: PC4
 1: PE3
- Bit 3 **PTP0IPS**: PTP0I input source pin selection
 0: PC2
 1: PF5
- Bit 2 **STP2IPS**: STP2I input source pin selection
 0: PD6
 1: PF7
- Bit 1 **STP1IPS**: STP1I input source pin selection
 0: PD0
 1: PB6
- Bit 0 **STP0IPS**: STP0I input source pin selection
 0: PC6
 1: PE1

• **IFS2 Register**

Bit	7	6	5	4	3	2	1	0
Name	—	SCSBPS	SDISDAPS	SCKSCLPS	INT3PS	INT2PS	INT1PS	INT0PS
R/W	—	R/W	R/W	R/W	R/W	R/W	R/W	R/W
POR	—	0	0	0	0	0	0	0

- Bit 7 Unimplemented, read as "0"
- Bit 6 **SCSBPS**: SCS input source pin selection
 0: PA1
 1: PF0
- Bit 5 **SDISDAPS**: SDI/SDA input source pin selection
 0: PA4
 1: PF2
- Bit 4 **SCKSCLPS**: SCK/SCL input source pin selection
 0: PA5
 1: PF3

- Bit 3 **INT3PS**: INT3 input source pin selection
 0: PA5
 1: PC7
- Bit 2 **INT2PS**: INT2 input source pin selection
 0: PA4
 1: PD0
- Bit 1 **INT1PS**: INT1 input source pin selection
 0: PA3
 1: PA7
- Bit 0 **INT0PS**: INT0 input source pin selection
 0: PA1
 1: PA6

• **IFS3 Register – HT67F2360/HT67F2370/HT67F2390**

Bit	7	6	5	4	3	2	1	0
Name	PTCK7PS	PTCK6PS	PTCK5PS	PTCK4PS	PTP7IPS	PTP6IPS	PTP5IPS	PTP4IPS
R/W	R/W	R/W	R/W	R/W	R/W	R/W	R/W	R/W
POR	0	0	0	0	0	0	0	0

- Bit 7 **PTCK7PS**: PTCK7 input source pin selection
 0: PH5
 1: PJ4
- Bit 6 **PTCK6PS**: PTCK6 input source pin selection
 0: PH4
 1: PJ5
- Bit 5 **PTCK5PS**: PTCK5 input source pin selection
 0: PH3
 1: PJ6
- Bit 4 **PTCK4PS**: PTCK4 input source pin selection
 0: PH2
 1: PJ7
- Bit 3 **PTP7IPS**: PTP7I input source pin selection
 0: PD3
 1: PH7
- Bit 2 **PTP6IPS**: PTP6I input source pin selection
 0: PC7
 1: PH6
- Bit 1 **PTP5IPS**: PTP5I input source pin selection
 0: PC5
 1: PH1
- Bit 0 **PTP4IPS**: PTP4I input source pin selection
 0: PC3
 1: PH0

• **IFS4 Register – HT67F2350/HT67F2360**

Bit	7	6	5	4	3	2	1	0
Name	—	—	—	—	—	—	RX1PS	RX0PS
R/W	—	—	—	—	—	—	R/W	R/W
POR	—	—	—	—	—	—	0	0

- Bit 7~2 Unimplemented, read as "0"
- Bit 1 **RX1PS**: RX1 input source pin selection
 0: PD1
 1: PF6
- Bit 0 **RX0PS**: RX0 input source pin selection
 0: PA6
 1: PD4

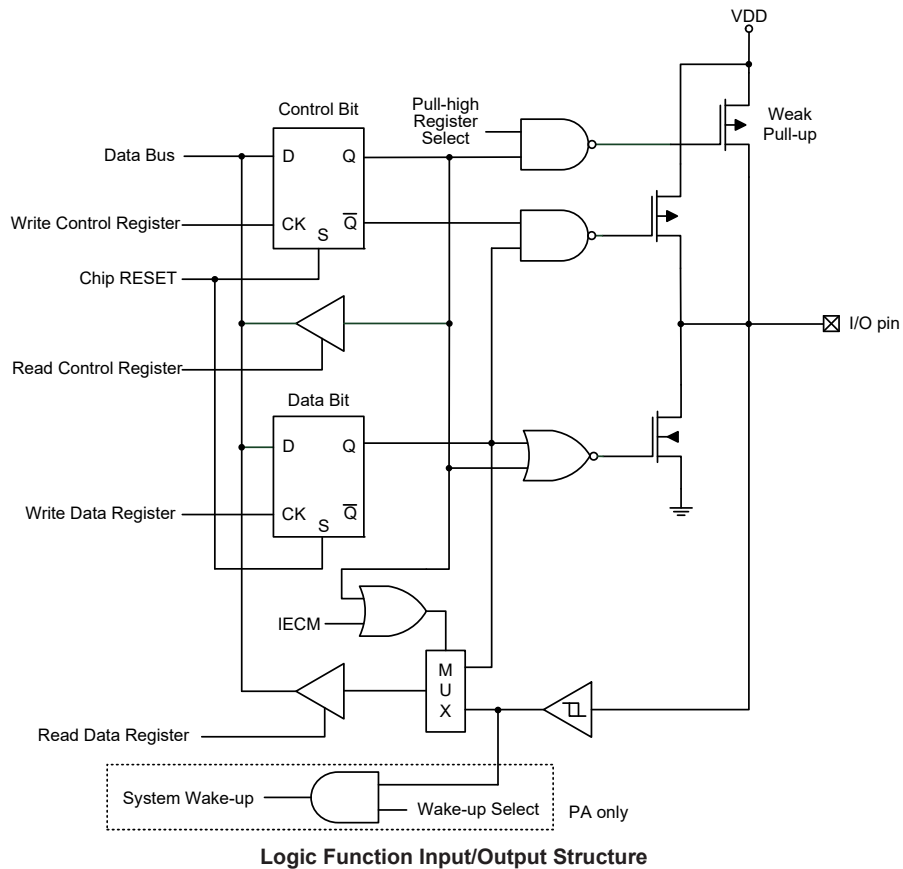
• IFS4 Register – HT67F2370/HT67F2390

Bit	7	6	5	4	3	2	1	0
Name	—	—	—	—	—	RX2PS	RX1PS	RX0PS
R/W	—	—	—	—	—	R/W	R/W	R/W
POR	—	—	—	—	—	0	0	0

- Bit 7~3 Unimplemented, read as "0"
- Bit 2 **RX2PS**: RX2 input source pin selection
 0: PB0
 1: PG0
- Bit 1 **RX1PS**: RX1 input source pin selection
 0: PD1
 1: PF6
- Bit 0 **RX0PS**: RX0 input source pin selection
 0: PA6
 1: PD4

I/O Pin Structures

The accompanying diagram illustrates the internal structures of the I/O logic function. As the exact logical construction of the I/O pin will differ from this drawing, it is supplied as a guide only to assist with the functional understanding of the logic function I/O pins. The wide range of pin-shared structures does not permit all types to be shown.



READ PORT Function

The READ PORT function is used to manage the reading of the output data from the data latch or I/O pin, which is specially designed for the IEC60730 self-diagnostic test on the I/O function and A/D paths. There is a register, IECC, which is used to control the READ PORT function. If the READ PORT function is disabled, the pin function will operate as the selected pin-shared function. When a specific data pattern, "11001010", is written into the IECC register, the internal signal named IECM will be set high to enable the READ PORT function. If the READ PORT function is enabled, the value on the corresponding pins will be passed to the accumulator ACC when the read port instruction "mov acc, Px" is executed where the "x" stands for the corresponding I/O port name.

IECC Register

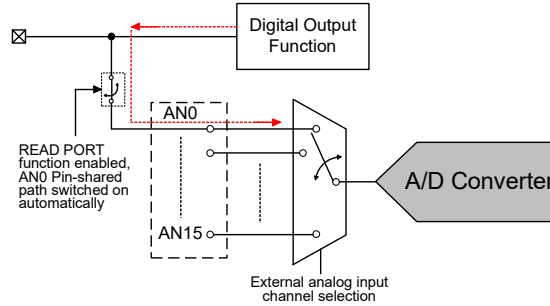
Bit	7	6	5	4	3	2	1	0
Name	IECS7	IECS6	IECS5	IECS4	IECS3	IECS2	IECS1	IECS0
R/W	R/W	R/W	R/W	R/W	R/W	R/W	R/W	R/W
POR	0	0	0	0	0	0	0	0

Bit 7~0 **IECS7~IECS0:** READ PORT function enable control bit 7~ bit 0
 11001010: IECM=1 – READ PORT function is enabled
 Others: IECM=0 – READ PORT function is disabled

READ PORT Function	Disabled		Enabled	
Port Control Register Bit – Px.C.n	1	0	1	0
I/O Function	Pin value	Data latch value	Pin value	
Digital Input Function				
Digital Output Function (except I ² C SDA/SCL)	0			
I ² C SDA/SCL	Pin value			
Analog Function	0			

Note: The value on the above table is the content of the ACC register after "mov a, Px" instruction is executed where "x" means the relevant port name.

The additional function of the READ PORT mode is to check the A/D path. When the READ PORT function is disabled, the A/D path from the external pin to the internal analog input will be switched off if the A/D input pin function is not selected by the corresponding selection bits. For the MCU with A/D converter channels, such as A/D AN15~AN0, the desired A/D channel can be switched on by properly configuring the external analog input channel selection bits in the A/D Control Register together with the corresponding analog input pin function is selected. However, the additional function of the READ PORT mode is to force the A/D path to be switched on. For example, when the AN0 is selected as the analog input channel as the READ PORT function is enabled, the AN0 analog input path will be switched on even if the AN0 analog input pin function is not selected. In this way, the AN0 analog input path can be examined by internally connecting the digital output on this shared pin with the AN0 analog input pin switch and then converting the corresponding digital data without any external analog input voltage connected.



A/D Channel Input Path Internally Connection

Programming Considerations

Within the user program, one of the things first to consider is port initialisation. After a reset, all of the I/O data and port control registers will be set to high. This means that all I/O pins will be defaulted to an input state, the level of which depends on the other connected circuitry and whether pull-high selections have been chosen. If the port control registers are then programmed to setup some pins as outputs, these output pins will have an initial high output value unless the associated port data registers are first programmed. Selecting which pins are inputs and which are outputs can be achieved byte-wide by loading the correct values into the appropriate port control register or by programming individual bits in the port control register using the "SET [m].i" and "CLR [m].i" instructions. Note that when using these bit control instructions, a read-modify-write operation takes place. The microcontroller must first read in the data on the entire port, modify it to the required new bit values and then rewrite this data back to the output ports.

Port A has the additional capability of providing wake-up functions. When the device is in the SLEEP or IDLE Mode, various methods are available to wake the device up. One of these is a high to low transition of any of the Port A pins. Single or multiple pins on Port A can be setup to have this function.

Timer Modules – TM

One of the most fundamental functions in any microcontroller devices is the ability to control and measure time. To implement time related functions the device includes several Timer Modules, generally abbreviated to the name TM. The TMs are multi-purpose timing units and serve to provide operations such as Timer/Counter, Input Capture, Compare Match Output and Single Pulse Output as well as being the functional unit for the generation of PWM signals. Each of the TMs has two interrupts. The addition of input and output pins for each TM ensures that users are provided with timing units with a wide and flexible range of features.

The common features of the different TM types are described here with more detailed information provided in the individual Standard and Periodic TM sections.

Introduction

These devices contain several TMs and each individual TM can be categorised as a certain type, namely Standard Type TM or Periodic Type TM. Although similar in nature, the different TM types vary in their feature complexity. The common features to all of the Standard and Periodic TMs will be described in this section and the detailed operation regarding each of the TM types will be described in separate sections. The main features and differences between the two types of TMs are summarised in the accompanying table.

TM Function	STM	PTM
Timer/Counter	√	√
Input Capture	√	√
Compare Match Output	√	√
PWM Channels	1	1
Single Pulse Output	1	1
PWM Alignment	Edge	Edge
PWM Adjustment Period & Duty	Duty or Period	Duty or Period

TM Function Summary

TM Operation

The different types of TM offer a diverse range of functions, from simple timing operations to PWM signal generation. The key to understanding how the TM operates is to see it in terms of a free running count-up counter whose value is then compared with the value of pre-programmed internal comparators. When the free running count-up counter has the same value as the pre-programmed comparator, known as a compare match situation, a TM interrupt signal will be generated which can clear the counter and perhaps also change the condition of the TM output pin. The internal TM counter is driven by a user selectable clock source, which can be an internal clock or an external pin.

TM Clock Source

The clock source which drives the main counter in each TM can originate from various sources. The selection of the required clock source is implemented using the xTnCK2~xTnCK0 bits in the xTMn control registers, where "x" stands for S or P type TM and "n" stands for the specific TM serial number. The clock source can be a ratio of the system clock, f_{SYS} , or the internal high clock, f_{IH} , the f_{SUB} clock source or the external xTCKn pin. The xTCKn pin clock source is used to allow an external signal to drive the TM as an external clock source for event counting.

TM Interrupts

The Standard or Periodic type TM has two internal interrupt, one for each of the internal comparator A or comparator P, which generate a TM interrupt when a compare match condition occurs. When a TM interrupt is generated, it can be used to clear the counter and also to change the state of the TM output pin.

TM External Pins

Each of the TMs, irrespective of what type, has two TM input pins, with the label xTCKn and xTPnI respectively. The xTMn input pin, xTCKn, is essentially a clock source for the xTMn and is selected using the xTnCK2~xTnCK0 bits in the xTMnC0 register. This external TM input pin allows an external clock source to drive the internal TM. The xTCKn input pin can be chosen to have either a rising or falling active edge. The STCKn and PTCKn pins are also used as the external trigger input pin in single pulse output mode for the STMn and PTMn respectively.

The other xTM input pin, STPnI or PTPnI, is the capture input whose active edge can be a rising edge, a falling edge or both rising and falling edges and the active edge transition type is selected using the STnIO1~STnIO0 or PTnIO1~PTnIO0 bits in the STMnC1 or PTMnC1 register respectively. There is another capture input, PTCKn, for PTMn capture input mode, which can be used as the external trigger input source except the PTPnI pin.

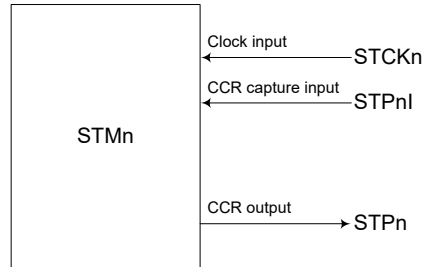
The TMs each have one output pin, xTPn. The TM output pin can be selected using the corresponding pin-shared function selection bits described in the Pin-shared Function section. When the TM is in the Compare Match Output Mode, these pins can be controlled by the TM to switch to a high or low level or to toggle when a compare match situation occurs. The external xTPn output pin is also the pin where the TM generates the PWM output waveform. As the TM output pins are pin-shared with other functions, the TM output function must first be setup using relevant pin-shared function selection register. Note that there is no relevant input function selection register, IFSn, to select the input signal source for the PTCK4~PTCK7 and PTP4I~PTP7I pins in the HT67F2350 device.

Device	STM		PTM	
	Input	Output	Input	Output
HT67F2350	STCK0, STP0I STCK1, STP1I STCK2, STP2I	STP0 STP1 STP2	PTCK0, PTP0I	PTP0
HT67F2360			PTCK1, PTP1I	PTP1
HT67F2370			PTCK2, PTP2I	PTP2
HT67F2390			PTCK3, PTP3I	PTP3
			PTCK4, PTP4I	PTP4
			PTCK5, PTP5I	PTP5
			PTCK6, PTP6I	PTP6
			PTCK7, PTP7I	PTP7

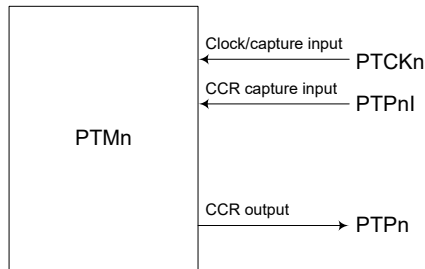
TM External Pins

TM Input/Output Pin Selection

Selecting to have a TM input/output or whether to retain its other shared function is implemented using the relevant pin-shared function selection registers, with the corresponding selection bits in each pin-shared function register corresponding to a TM input/output pin. Configuring the selection bits correctly will setup the corresponding pin as a TM input/output. The details of the pin-shared function selection are described in the pin-shared function section.



STM Function Pin Control Block Diagram – n=0 ~ 2

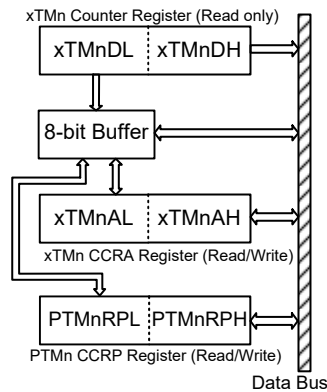


PTM Function Pin Control Block Diagram – n=0 ~ 7

Programming Considerations

The TM Counter Registers and the Capture/Compare CCRA and CCRP registers, all have a low and high byte structure. The high bytes can be directly accessed, but as the low bytes can only be accessed via an internal 8-bit buffer, reading or writing to these register pairs must be carried out in a specific way. The important point to note is that data transfer to and from the 8-bit buffer and its related low byte only takes place when a write or read operation to its corresponding high byte is executed.

As the CCRA and CCRP registers are implemented in the way shown in the following diagram and accessing these register pairs is carried out in a specific way as described above, it is recommended to use the "MOV" instruction to access the CCRA and CCRP low byte registers, named xTMnAL and PTMnRPL, using the following access procedures. Accessing the CCRA or CCRP low byte registers without following these access procedures will result in unpredictable values.



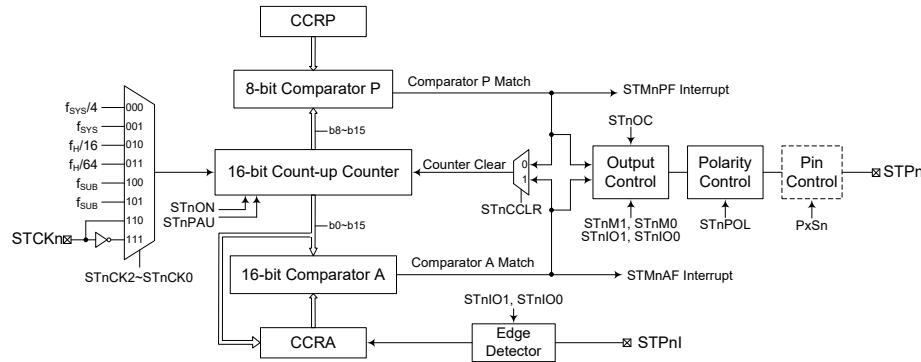
The following steps show the read and write procedures:

- Writing Data to CCRA or CCRP
 - ♦ Step 1. Write data to Low Byte xTMnAL or PTMnRPL
 - note that here data is only written to the 8-bit buffer.
 - ♦ Step 2. Write data to High Byte xTMnAH or PTMnRPH
 - here data is written directly to the high byte registers and simultaneously data is latched from the 8-bit buffer to the Low Byte registers.
- Reading Data from the Counter Registers and CCRA or CCRP
 - ♦ Step 1. Read data from the High Byte xTMnDH, xTMnAH or PTMnRPH
 - here data is read directly from the High Byte registers and simultaneously data is latched from the Low Byte register into the 8-bit buffer.
 - ♦ Step 2. Read data from the Low Byte xTMnDL, xTMnAL or PTMnRPL
 - this step reads data from the 8-bit buffer.

Standard Type TM – STM

The Standard Type TM contains five operating modes, which are Compare Match Output, Timer/Event Counter, Capture Input, Single Pulse Output and PWM Output modes. The Standard TM can also be controlled with two external input pins and can drive one external output pin.

Device	STM Core	STM Input Pin	STM Output Pin
HT67F2350 HT67F2360 HT67F2370 HT67F2390	16-bit STM (STM0, STM1, STM2)	STCK0, STP0I STCK1, STP1I STCK2, STP2I	STP0 STP1 STP2



Standard Type TM Block Diagram – n=0 ~ 2

Standard TM Operation

The size of Standard TM is 16-bit wide and its core is a 16-bit count-up counter which is driven by a user selectable internal or external clock source. There are also two internal comparators with the names, Comparator A and Comparator P. These comparators will compare the value in the counter with CCRP and CCRA registers. The CCRP comparator is 8-bit wide whose value is compared the with highest 8 bits in the counter while the CCRA is the sixteen bits and therefore compares all counter bits.

The only way of changing the value of the 16-bit counter using the application program, is to clear the counter by changing the STnON bit from low to high. The counter will also be cleared automatically by a counter overflow or a compare match with one of its associated comparators. When these conditions occur, a STM interrupt signal will also usually be generated. The Standard Type TM can operate in a number of different operational modes, can be driven by different clock sources including an input pin and can also control an output pin. All operating setup conditions are selected using relevant internal registers.

Standard Type TM Register Description

Overall operation of the Standard TM is controlled using a series of registers. A read only register pair exists to store the internal counter 16-bit value, while a read/write register pair exists to store the internal 16-bit CCRA value. The STMnRP register is used to store the 8-bit CCRP value. The remaining two registers are control registers which setup the different operating and control modes.

Register Name	Bit							
	7	6	5	4	3	2	1	0
STMnC0	STnPAU	STnCK2	STnCK1	STnCK0	STnON	—	—	—
STMnC1	STnM1	STnM0	STnIO1	STnIO0	STnOC	STnPOL	STnDPX	STnCCLR
STMnDL	D7	D6	D5	D4	D3	D2	D1	D0
STMnDH	D15	D14	D13	D12	D11	D10	D9	D8
STMnAL	D7	D6	D5	D4	D3	D2	D1	D0
STMnAH	D15	D14	D13	D12	D11	D10	D9	D8
STMnRP	STnRP7	STnRP6	STnRP5	STnRP4	STnRP3	STnRP2	STnRP1	STnRP0

16-bit Standard TM Registers List – n=0 ~ 2

STMnDL Register

Bit	7	6	5	4	3	2	1	0
Name	D7	D6	D5	D4	D3	D2	D1	D0
R/W	R	R	R	R	R	R	R	R
POR	0	0	0	0	0	0	0	0

Bit 7~0 STMn Counter Low Byte Register bit 7 ~ bit 0
 STMn 16-bit Counter bit 7 ~ bit 0

STMnDH Register

Bit	7	6	5	4	3	2	1	0
Name	D15	D14	D13	D12	D11	D10	D9	D8
R/W	R	R	R	R	R	R	R	R
POR	0	0	0	0	0	0	0	0

Bit 7~0 STMn Counter High Byte Register bit 7 ~ bit 0
 STMn 16-bit Counter bit 15 ~ bit 8

STMnAL Register

Bit	7	6	5	4	3	2	1	0
Name	D7	D6	D5	D4	D3	D2	D1	D0
R/W	R/W	R/W	R/W	R/W	R/W	R/W	R/W	R/W
POR	0	0	0	0	0	0	0	0

Bit 7~0 STMn CCRA Low Byte Register bit 7 ~ bit 0
 STMn 16-bit CCRA bit 7 ~ bit 0

STMnAH Register

Bit	7	6	5	4	3	2	1	0
Name	D15	D14	D13	D12	D11	D10	D9	D8
R/W	R/W	R/W	R/W	R/W	R/W	R/W	R/W	R/W
POR	0	0	0	0	0	0	0	0

Bit 7~0 STMn CCRA High Byte Register bit 7 ~ bit 0
 STMn 16-bit CCRA bit 15 ~ bit 8

STMnC0 Register

Bit	7	6	5	4	3	2	1	0
Name	STnPAU	STnCK2	STnCK1	STnCK0	STnON	—	—	—
R/W	R/W	R/W	R/W	R/W	R/W	—	—	—
POR	0	0	0	0	0	—	—	—

- Bit 7** **STnPAU**: STMn Counter Pause control
 0: Run
 1: Pause
 The counter can be paused by setting this bit high. Clearing the bit to zero restores normal counter operation. When in a Pause condition the STMn will remain powered up and continue to consume power. The counter will retain its residual value when this bit changes from low to high and resume counting from this value when the bit changes to a low value again.
- Bit 6~4** **STnCK2~STnCK0**: Select STMn Counter clock
 000: $f_{SYS}/4$
 001: f_{SYS}
 010: $f_H/16$
 011: $f_H/64$
 100: f_{SUB}
 101: f_{SUB}
 110: STCKn rising edge clock
 111: STCKn falling edge clock
 These three bits are used to select the clock source for the STMn. The external pin clock source can be chosen to be active on the rising or falling edge. The clock source f_{SYS} is the system clock, while f_H and f_{SUB} are other internal clocks, the details of which can be found in the oscillator section.
- Bit 3** **STnON**: STMn Counter On/Off control
 0: Off
 1: On
 This bit controls the overall on/off function of the STMn. Setting the bit high enables the counter to run while clearing the bit disables the STMn. Clearing this bit to zero will stop the counter from counting and turn off the STMn which will reduce its power consumption. When the bit changes state from low to high the internal counter value will be reset to zero, however when the bit changes from high to low, the internal counter will retain its residual value until the bit returns high again. If the STMn is in the Compare Match Output Mode then the STMn output pin will be reset to its initial condition, as specified by the STnOC bit, when the STnON bit changes from low to high.
- Bit 2~0** Unimplemented, read as "0"

STMnC1 Register

Bit	7	6	5	4	3	2	1	0
Name	STnM1	STnM0	STnIO1	STnIO0	STnOC	STnPOL	STnDPX	STnCCLR
R/W	R/W	R/W	R/W	R/W	R/W	R/W	R/W	R/W
POR	0	0	0	0	0	0	0	0

- Bit 7~6** **STnM1~STnM0**: Select STMn Operating Mode
 00: Compare Match Output Mode
 01: Capture Input Mode
 10: PWM Output Mode or Single Pulse Output Mode
 11: Timer/Counter Mode
 These bits setup the required operating mode for the STMn. To ensure reliable operation the STMn should be switched off before any changes are made to the STnM1 and STnM0 bits. In the Timer/Counter Mode, the STMn output pin control will be disabled.

Bit 5~4 **STnIO1~STnIO0**: Select STMn external pin STPn function

Compare Match Output Mode

- 00: No change
- 01: Output low
- 10: Output high
- 11: Toggle output

PWM Output Mode/Single Pulse Output Mode

- 00: PWM output inactive state
- 01: PWM output active state
- 10: PWM output
- 11: Single Pulse Output

Capture Input Mode

- 00: Input capture at rising edge of STPnI
- 01: Input capture at falling edge of STPnI
- 10: Input capture at rising/falling edge of STPnI
- 11: Input capture disabled

Timer/Counter Mode

Unused

These two bits are used to determine how the STMn output pin changes state when a certain condition is reached. The function that these bits select depends upon in which mode the STMn is running.

In the Compare Match Output Mode, the STnIO1 and STnIO0 bits determine how the STMn output pin changes state when a compare match occurs from the Comparator A. The TM output pin can be setup to switch high, switch low or to toggle its present state when a compare match occurs from the Comparator A. When the bits are both zero, then no change will take place on the output. The initial value of the STMn output pin should be setup using the STnOC bit in the STMnC1 register. Note that the output level requested by the STnIO1 and STnIO0 bits must be different from the initial value setup using the STnOC bit otherwise no change will occur on the STMn output pin when a compare match occurs. After the STMn output pin changes state, it can be reset to its initial level by changing the level of the STnON bit from low to high.

In the PWM Output Mode, the STnIO1 and STnIO0 bits determine how the STMn output pin changes state when a certain compare match condition occurs. The PWM output function is modified by changing these two bits. It is necessary to only change the values of the STnIO1 and STnIO0 bits only after the STMn has been switched off. Unpredictable PWM outputs will occur if the STnIO1 and STnIO0 bits are changed when the STMn is running.

Bit 3 **STnOC**: STMn STPn Output control

Compare Match Output Mode

- 0: Initial low
- 1: Initial high

PWM Output Mode/Single Pulse Output Mode

- 0: Active low
- 1: Active high

This is the output control bit for the STMn output pin. Its operation depends upon whether STMn is being used in the Compare Match Output Mode or in the PWM Output Mode/Single Pulse Output Mode. It has no effect if the STMn is in the Timer/Counter Mode. In the Compare Match Output Mode it determines the logic level of the STMn output pin before a compare match occurs. In the Output PWM Mode/Single Pulse Output Mode it determines if the PWM signal is active high or active low.

- Bit 2 **STnPOL**: STMn STPn Output polarity control
 0: Non-inverted
 1: Inverted
 This bit controls the polarity of the STPn output pin. When the bit is set high the STMn output pin will be inverted and not inverted when the bit is zero. It has no effect if the STMn is in the Timer/Counter Mode.
- Bit 1 **STnDPX**: STMn PWM duty/period control
 0: CCRP – period; CCRA – duty
 1: CCRP – duty; CCRA – period
 This bit determines which of the CCRA and CCRP registers are used for period and duty control of the PWM waveform.
- Bit 0 **STnCLR**: STMn Counter Clear condition selection
 0: Comparator P match
 1: Comparator A match
 This bit is used to select the method which clears the counter. Remember that the Standard TM contains two comparators, Comparator A and Comparator P, either of which can be selected to clear the internal counter. With the STnCLR bit set high, the counter will be cleared when a compare match occurs from the Comparator A. When the bit is low, the counter will be cleared when a compare match occurs from the Comparator P or with a counter overflow. A counter overflow clearing method can only be implemented if the CCRP bits are all cleared to zero. The STnCLR bit is not used in the PWM Output, Single Pulse Output or Capture Input Mode.

STMnRP Register

Bit	7	6	5	4	3	2	1	0
Name	STnRP7	STnRP6	STnRP5	STnRP4	STnRP3	STnRP2	STnRP1	STnRP0
R/W	R/W	R/W	R/W	R/W	R/W	R/W	R/W	R/W
POR	0	0	0	0	0	0	0	0

- Bit 7~0 **STnRP7~STnRP0**: STMn CCRP 8-bit register, compared with the STMn counter bit 15~bit 8
 Comparator P match period =
 0: 65536 STMn clocks
 1~255: (1~255) × 256 STMn clocks
 These eight bits are used to setup the value on the internal CCRP 8-bit register, which are then compared with the internal counter’s highest eight bits. The result of this comparison can be selected to clear the internal counter if the STnCLR bit is set to zero. Setting the STnCLR bit to zero ensures that a compare match with the CCRP values will reset the internal counter. As the CCRP bits are only compared with the highest eight counter bits, the compare values exist in 256 clock cycle multiples. Clearing all eight bits to zero is in effect allowing the counter to overflow at its maximum value.

Standard Type TM Operation Modes

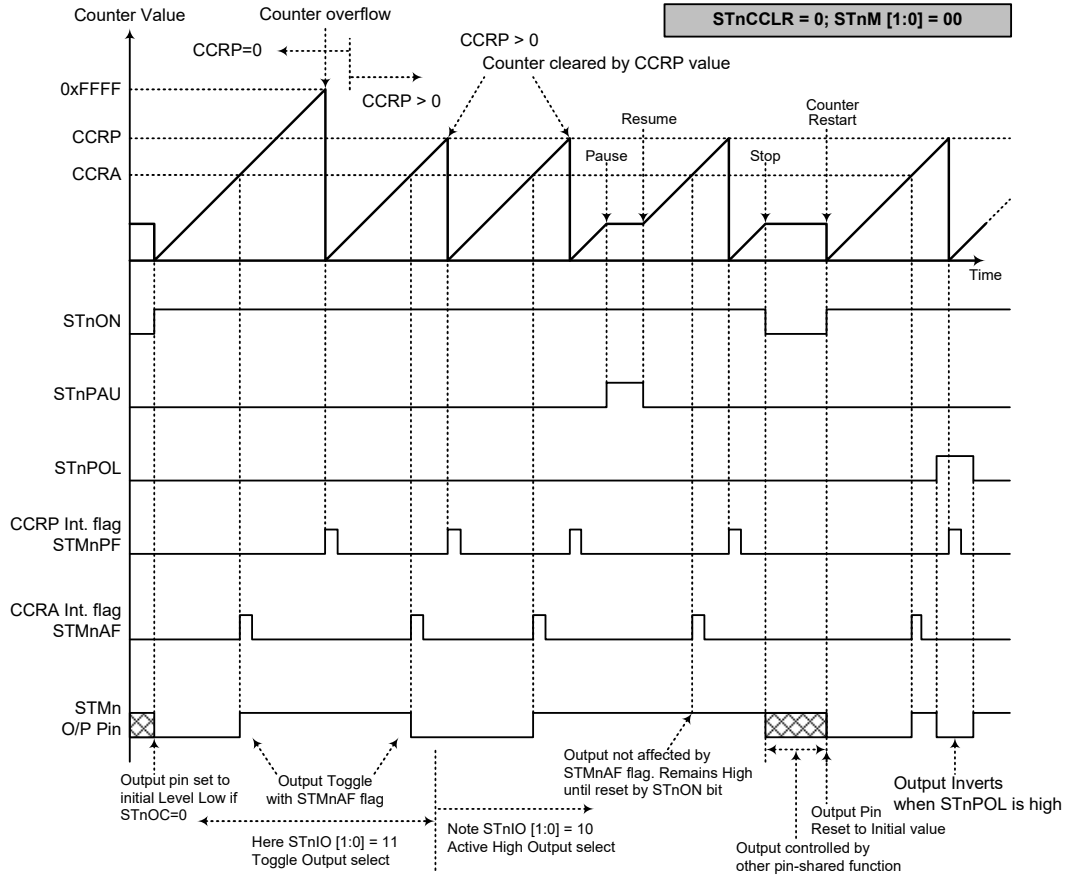
The Standard Type TM can operate in one of five operating modes, Compare Match Output Mode, PWM Output Mode, Single Pulse Output Mode, Capture Input Mode or Timer/Counter Mode. The operating mode is selected using the STnM1 and STnM0 bits in the STMnC1 register.

Compare Match Output Mode

To select this mode, bits STnM1 and STnM0 in the STMnC1 register, should be set to 00 respectively. In this mode once the counter is enabled and running it can be cleared by three methods. These are a counter overflow, a compare match from Comparator A and a compare match from Comparator P. When the STnCCLR bit is low, there are two ways in which the counter can be cleared. One is when a compare match from Comparator P, the other is when the CCRP bits are all zero which allows the counter to overflow. Here both STMnAF and STMnPF interrupt request flags for Comparator A and Comparator P respectively, will both be generated.

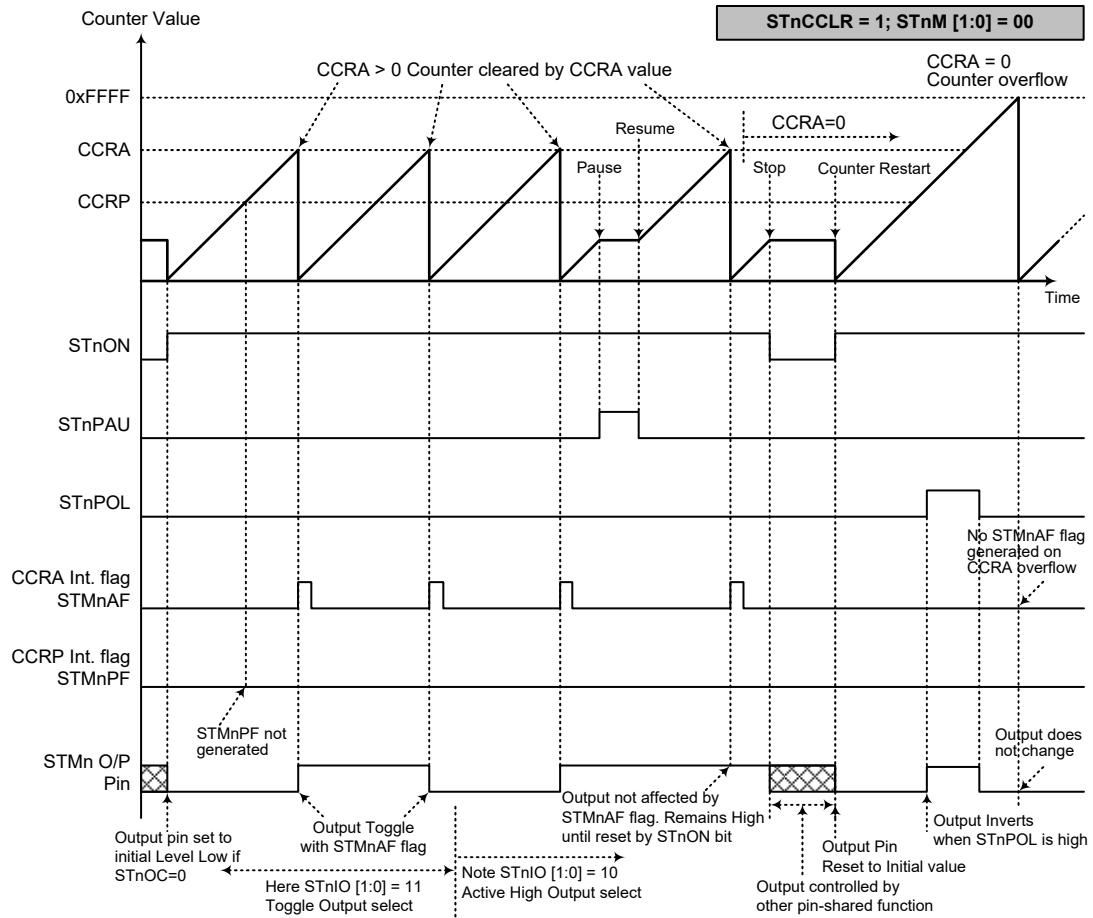
If the STnCCLR bit in the STMnC1 register is high then the counter will be cleared when a compare match occurs from Comparator A. However, here only the STMnAF interrupt request flag will be generated even if the value of the CCRP bits is less than that of the CCRA registers. Therefore when STnCCLR is high no STMnPF interrupt request flag will be generated. In the Compare Match Output Mode, the CCRA can not be set to "0".

As the name of the mode suggests, after a comparison is made, the STMn output pin, will change state. The STMn output pin condition however only changes state when a STMnAF interrupt request flag is generated after a compare match occurs from Comparator A. The STMnPF interrupt request flag, generated from a compare match occurs from Comparator P, will have no effect on the STMn output pin. The way in which the STMn output pin changes state are determined by the condition of the STnIO1 and STnIO0 bits in the STMnC1 register. The STMn output pin can be selected using the STnIO1 and STnIO0 bits to go high, to go low or to toggle from its present condition when a compare match occurs from Comparator A. The initial condition of the STMn output pin, which is setup after the STnON bit changes from low to high, is setup using the STnOC bit. Note that if the STnIO1 and STnIO0 bits are zero then no pin change will take place.



Compare Match Output Mode – STnCCLR=0

- Note: 1. With STnCCLR=0 a Comparator P match will clear the counter
 2. The STMn output pin is controlled only by the STMnAF flag
 3. The output pin is reset to its initial state by a STnON bit rising edge
 4. n=0 ~ 2



Compare Match Output Mode –STnCCR=1

- Note: 1. With STnCCR=1 a Comparator A match will clear the counter
 2. The STMn output pin is controlled only by the STMnAF flag
 3. The output pin is reset to its initial state by a STnON bit rising edge
 4. A STMnPF flag is not generated when STnCCR=1
 5. n=0 ~ 2

Timer/Counter Mode

To select this mode, bits STnM1 and STnM0 in the STMnC1 register should be set to 11 respectively. The Timer/Counter Mode operates in an identical way to the Compare Match Output Mode generating the same interrupt flags. The exception is that in the Timer/Counter Mode the STMn output pin is not used. Therefore the above description and Timing Diagrams for the Compare Match Output Mode can be used to understand its function. As the STMn output pin is not used in this mode, the pin can be used as a normal I/O pin or other pin-shared function.

PWM Output Mode

To select this mode, bits STnM1 and STnM0 in the STMnC1 register should be set to 10 respectively and also the STnIO1 and STnIO0 bits should be set to 10 respectively. The PWM function within the STMn is useful for applications which require functions such as motor control, heating control, illumination control etc. By providing a signal of fixed frequency but of varying duty cycle on the STMn output pin, a square wave AC waveform can be generated with varying equivalent DC RMS values.

As both the period and duty cycle of the PWM waveform can be controlled, the choice of generated waveform is extremely flexible. In the PWM mode, the STnCCLR bit has no effect as the PWM period. Both of the CCRA and CCRP registers are used to generate the PWM waveform, one register is used to clear the internal counter and thus control the PWM waveform frequency, while the other one is used to control the duty cycle. Which register is used to control either frequency or duty cycle is determined using the STnDPX bit in the STMnC1 register. The PWM waveform frequency and duty cycle can therefore be controlled by the values in the CCRA and CCRP registers.

As both the period and duty cycle of the PWM waveform can be controlled, the choice of generated waveform is extremely flexible. In the PWM Output mode, the STnCCLR bit has no effect as the PWM period. Both of the CCRA and CCRP registers are used to generate the PWM waveform, one register is used to clear the internal counter and thus control the PWM waveform frequency, while the other one is used to control the duty cycle. Which register is used to control either frequency or duty cycle is determined using the STnDPX bit in the STMnC1 register. The PWM waveform frequency and duty cycle can therefore be controlled by the values in the CCRA and CCRP registers.

- **16-bit STMn, PWM Output Mode, Edge-aligned Mode, STnDPX=0**

CCRP	1~255	0
Period	CCRP × 256	65536
Duty	CCRA	

If $f_{SYS}=16\text{MHz}$, STMn clock source is $f_{SYS}/4$, CCRP=2 and CCRA=128,

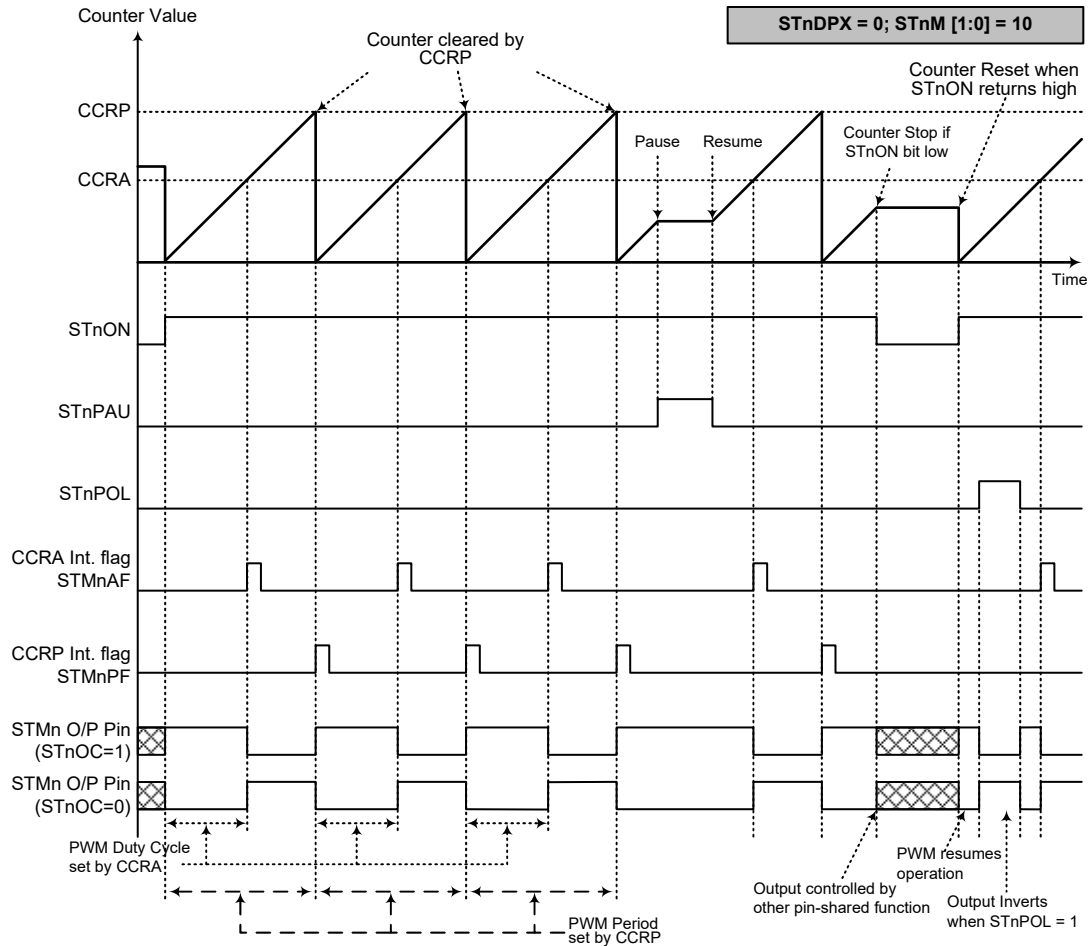
The STMn PWM output frequency= $(f_{SYS}/4) / (2 \times 256) = f_{SYS}/2048 = 8 \text{ kHz}$, duty= $128/(2 \times 256) = 25\%$.

If the Duty value defined by the CCRA register is equal to or greater than the Period value, then the PWM output duty is 100%.

- **16-bit STMn, PWM Output Mode, Edge-aligned Mode, STnDPX=1**

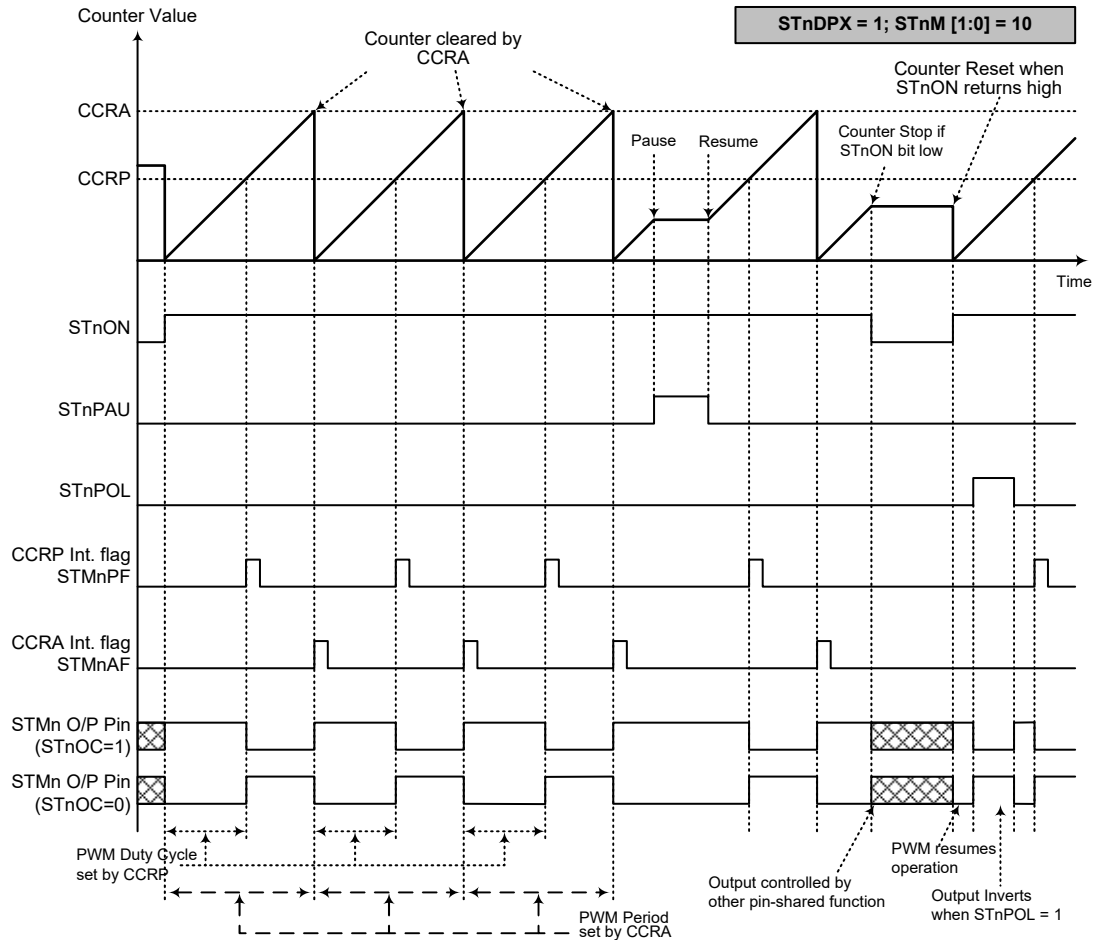
CCRP	1~255	0
Period	CCRA	
Duty	CCRP × 256	65536

The PWM output period is determined by the CCRA register value together with the TM clock while the PWM duty cycle is defined by the CCRP register value except when the CCRP value is equal to 0.



PWM Output Mode – STnDPX=0

- Note: 1. Here STnDPX=0 – Counter cleared by CCRP
 2. A counter clear sets the PWM Period
 3. The internal PWM function continues running even when STnIO [1:0]=00 or 01
 4. The STnCCLR bit has no influence on PWM operation
 5. n=0 ~ 2



PWM Output Mode – STnDPX=1

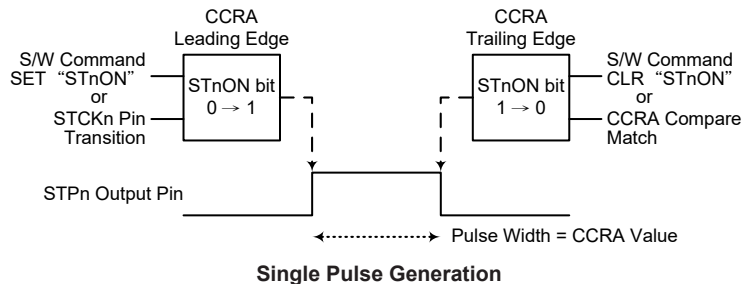
- Note: 1. Here STnDPX=1 – Counter cleared by CCRA
 2. A counter clear sets the PWM Period
 3. The internal PWM function continues even when STnIO [1:0]=00 or 01
 4. The STnCCLR bit has no influence on PWM operation
 5. n=0 ~ 2

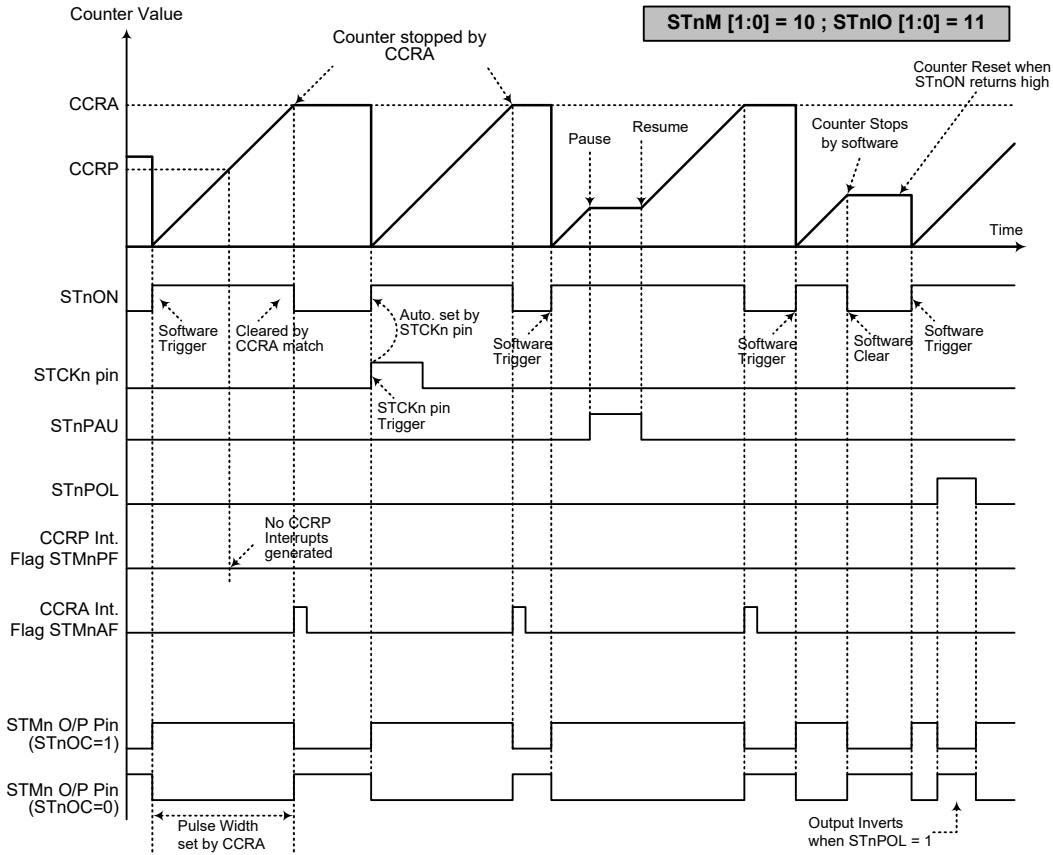
Single Pulse Output Mode

To select this mode, bits STnM1 and STnM0 in the STMnC1 register should be set to 10 respectively and also the STnIO1 and STnIO0 bits should be set to 11 respectively. The Single Pulse Output Mode, as the name suggests, will generate a single shot pulse on the STMn output pin.

The trigger for the pulse output leading edge is a low to high transition of the STnON bit, which can be implemented using the application program. However in the Single Pulse Output Mode, the STnON bit can also be made to automatically change from low to high using the external STCKn pin, which will in turn initiate the Single Pulse output. When the STnON bit transitions to a high level, the counter will start running and the pulse leading edge will be generated. The STnON bit should remain high when the pulse is in its active state. The generated pulse trailing edge will be generated when the STnON bit is cleared to zero, which can be implemented using the application program or when a compare match occurs from Comparator A.

However a compare match from Comparator A will also automatically clear the STnON bit and thus generate the Single Pulse output trailing edge. In this way the CCRA value can be used to control the pulse width. A compare match from Comparator A will also generate a STMn interrupt. The counter can only be reset back to zero when the STnON bit changes from low to high when the counter restarts. In the Single Pulse Output Mode CCRP is not used. The STnCCLR and STnDPX bits are not used in this Mode.





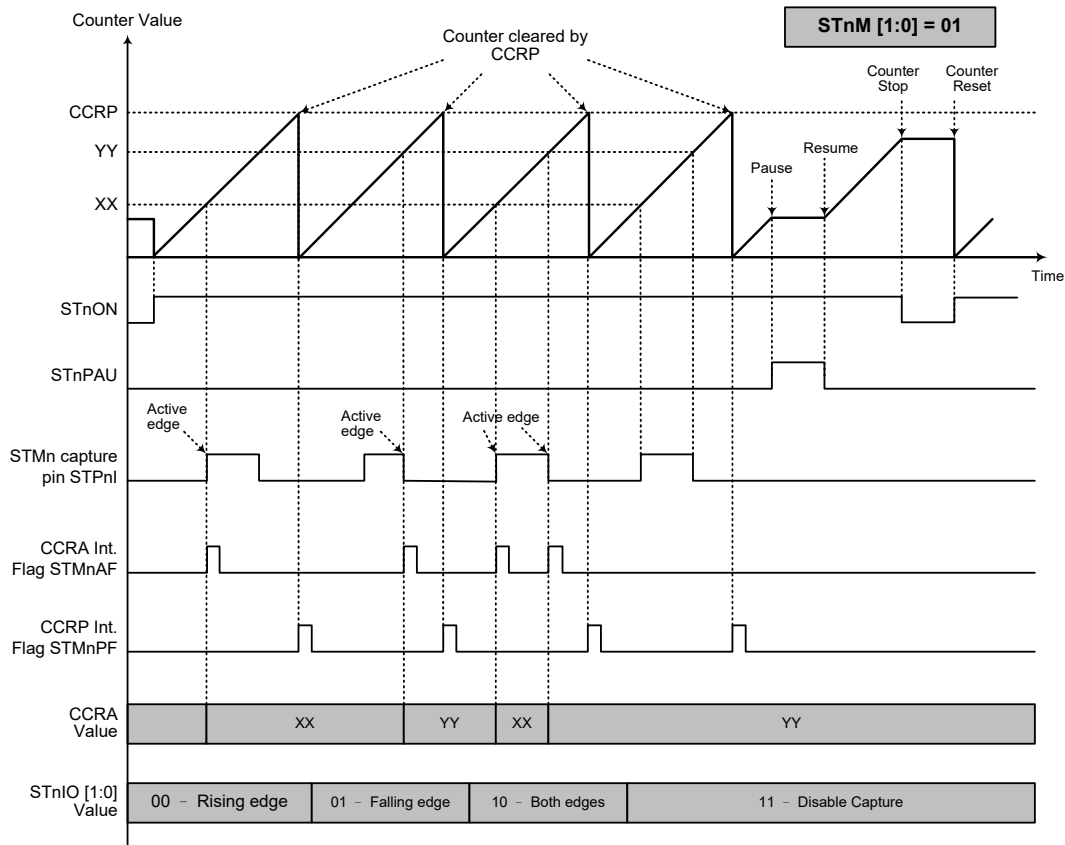
Single Pulse Output Mode

- Note: 1. Counter stopped by CCRA
 2. CCRP is not used
 3. The pulse triggered by the STCKn pin or by setting the STnON bit high
 4. A STCKn pin active edge will automatically set the STnON bit high.
 5. In the Single Pulse Output Mode, STnIO [1:0] must be set to "11" and can not be changed.
 6. n=0 ~ 2

Capture Input Mode

To select this mode bits STnM1 and STnM0 in the STMnC1 register should be set to 01 respectively. This mode enables external signals to capture and store the present value of the internal counter and can therefore be used for applications such as pulse width measurements. The external signal is supplied on the STPnI pin, whose active edge can be a rising edge, a falling edge or both rising and falling edges; the active edge transition type is selected using the STnIO1 and STnIO0 bits in the STMnC1 register. The counter is started when the STnON bit changes from low to high which is initiated using the application program.

When the required edge transition appears on the STPnI pin the present value in the counter will be latched into the CCRA registers and a STMn interrupt generated. Irrespective of what events occur on the STPnI pin the counter will continue to free run until the STnON bit changes from high to low. When a CCRP compare match occurs the counter will reset back to zero; in this way the CCRP value can be used to control the maximum counter value. When a CCRP compare match occurs from Comparator P, a STMn interrupt will also be generated. Counting the number of overflow interrupt signals from the CCRP can be a useful method in measuring long pulse widths. The STnIO1 and STnIO0 bits can select the active trigger edge on the STPnI pin to be a rising edge, falling edge or both edge types. If the STnIO1 and STnIO0 bits are both set high, then no capture operation will take place irrespective of what happens on the STPnI pin, however it must be noted that the counter will continue to run. The STnCCLR and STnDPX bits are not used in this Mode.



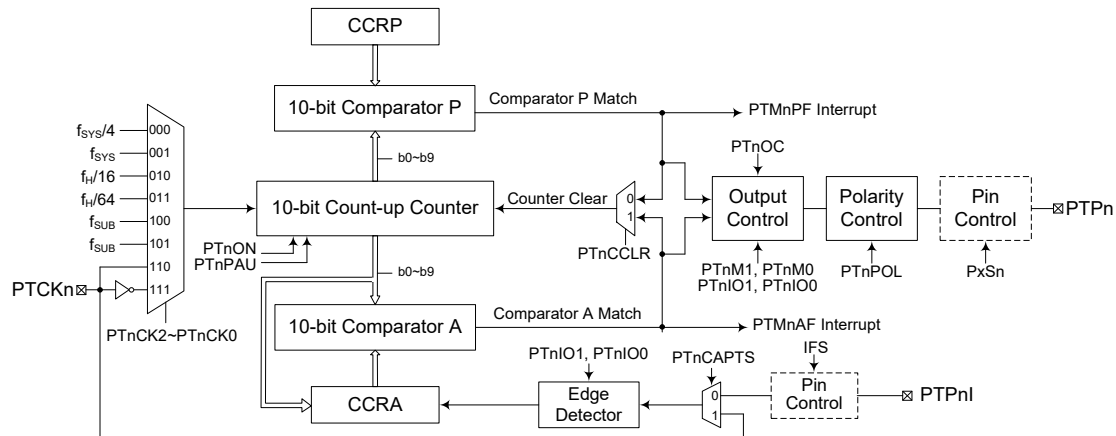
Capture Input Mode

- Note: 1. STnM [1:0]=01 and active edge set by the STnIO [1:0] bits
 2. A STMn Capture input pin active edge transfers the counter value to CCRA
 3. STnCCLR bit not used
 4. No output function – STnOC and STnPOL bits are not used
 5. CCRP determines the counter value and the counter has a maximum count value when CCRP is equal to zero.
 6. n=0 ~ 2

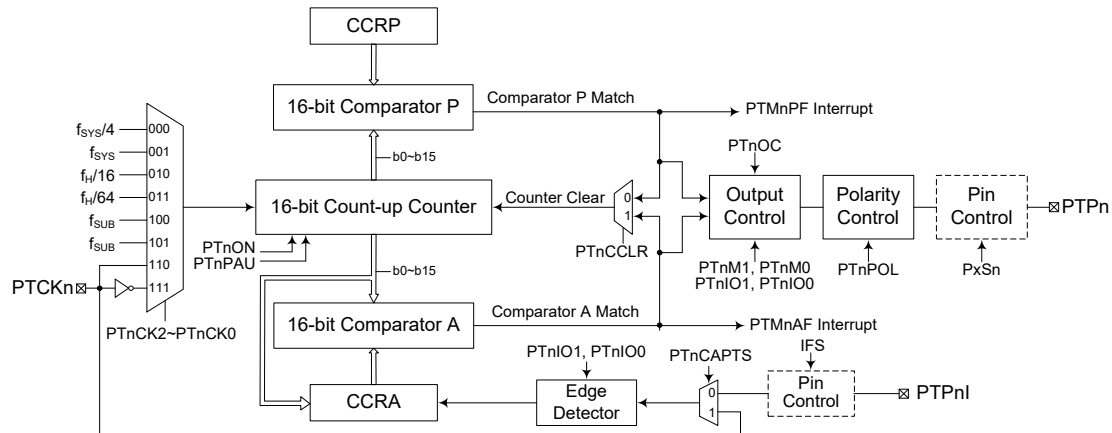
Periodic Type TM – PTM

The Periodic Type TM contains five operating modes, which are Compare Match Output, Timer/Event Counter, Capture Input, Single Pulse Output and PWM Output modes. The Periodic TM can also be controlled with two external input pins and can drive two external output pin.

Device	PTM Core	PTM Input Pin	PTM Output Pin
HT67F2350 HT67F2360 HT67F2370 HT67F2390	10-bit PTM (PTM0, PTM1, PTM4, PTM5, PTM6, PTM7,)	PTCK0, PTP0I PTCK1, PTP1I PTCK4, PTP4I PTCK5, PTP5I PTCK6, PTP6I PTCK7, PTP7I	PTP0 PTP1 PTP4 PTP5 PTP6 PTP7
	16-bit PTM (PTM2, PTM3)	PTCK2, PTP2I PTCK3, PTP3I	PTP2 PTP3



10-bit Periodic Type TM Block Diagram – n=0, 1, 4, 5, 6 or 7



16-bit Periodic Type TM Block Diagram – n=2 or 3

Periodic TM Operation

The size of Periodic Type TM is 10-/16-bit wide and its core is a 10-/16-bit count-up counter which is driven by a user selectable internal or external clock source. There are also two internal comparators with the names, Comparator A and Comparator P. These comparators will compare the value in the counter with CCRP and CCRA registers. The CCRP and CCRA comparators are 10-/16-bit wide whose value is respectively compared with all counter bits.

The only way of changing the value of the 10-/16-bit counter using the application program is to clear the counter by changing the PTnON bit from low to high. The counter will also be cleared automatically by a counter overflow or a compare match with one of its associated comparators. When these conditions occur, a PTM interrupt signal will also usually be generated. The Periodic Type TM can operate in a number of different operational modes, can be driven by different clock sources including an input pin and can also control the output pins. All operating setup conditions are selected using relevant internal registers.

Periodic Type TM Register Description

Overall operation of the Periodic TM is controlled using a series of registers. A read only register pair exists to store the internal counter 10-/16-bit value, while two read/write register pairs exist to store the internal 10-/16-bit CCRA and CCRP value. The remaining two registers are control registers which setup the different operating and control modes.

Register Name	Bit							
	7	6	5	4	3	2	1	0
PTMnC0	PTnPAU	PTnCK2	PTnCK1	PTnCK0	PTnON	—	—	—
PTMnC1	PTnM1	PTnM0	PTnIO1	PTnIO0	PTnOC	PTnPOL	PTnCAPTS	PTnCCLR
PTMnDL	D7	D6	D5	D4	D3	D2	D1	D0
PTMnDH	—	—	—	—	—	—	D9	D8
PTMnAL	D7	D6	D5	D4	D3	D2	D1	D0
PTMnAH	—	—	—	—	—	—	D9	D8
PTMnRPL	PTnRP7	PTnRP6	PTnRP5	PTnRP4	PTnRP3	PTnRP2	PTnRP1	PTnRP0
PTMnRPH	—	—	—	—	—	—	PTnRP9	PTnRP8

10-bit Periodic TM Registers List – n=0, 1, 4, 5, 6 or 7

Register Name	Bit							
	7	6	5	4	3	2	1	0
PTMnC0	PTnPAU	PTnCK2	PTnCK1	PTnCK0	PTnON	—	—	—
PTMnC1	PTnM1	PTnM0	PTnIO1	PTnIO0	PTnOC	PTnPOL	PTnCAPTS	PTnCCLR
PTMnDL	D7	D6	D5	D4	D3	D2	D1	D0
PTMnDH	D15	D14	D13	D12	D11	D10	D9	D8
PTMnAL	D7	D6	D5	D4	D3	D2	D1	D0
PTMnAH	D15	D14	D13	D12	D11	D10	D9	D8
PTMnRPL	PTnRP7	PTnRP6	PTnRP5	PTnRP4	PTnRP3	PTnRP2	PTnRP1	PTnRP0
PTMnRPH	PTnRP15	PTnRP14	PTnRP13	PTnRP12	PTnRP11	PTnRP10	PTnRP9	PTnRP8

16-bit Periodic TM Registers List – n=2 or 3

PTMnDL Register

Bit	7	6	5	4	3	2	1	0
Name	D7	D6	D5	D4	D3	D2	D1	D0
R/W	R	R	R	R	R	R	R	R
POR	0	0	0	0	0	0	0	0

Bit 7~0 PTMn Counter Low Byte Register bit 7 ~ bit 0
PTMn 10-/16-bit Counter bit 7 ~ bit 0

PTMnDH Register – n=0, 1, 4, 5, 6 or 7

Bit	7	6	5	4	3	2	1	0
Name	—	—	—	—	—	—	D9	D8
R/W	—	—	—	—	—	—	R	R
POR	—	—	—	—	—	—	0	0

Bit 7~2 Unimplemented, read as "0"
Bit 1~0 PTMn Counter High Byte Register bit 1 ~ bit 0
PTMn 10-bit Counter bit 9 ~ bit 8

PTMnDH Register – n=2 or 3

Bit	7	6	5	4	3	2	1	0
Name	D15	D14	D13	D12	D11	D10	D9	D8
R/W	R	R	R	R	R	R	R	R
POR	0	0	0	0	0	0	0	0

Bit 7~0 PTMn Counter High Byte Register bit 7 ~ bit 0
PTMn 16-bit Counter bit 15 ~ bit 8

PTMnAL Register

Bit	7	6	5	4	3	2	1	0
Name	D7	D6	D5	D4	D3	D2	D1	D0
R/W	R/W	R/W	R/W	R/W	R/W	R/W	R/W	R/W
POR	0	0	0	0	0	0	0	0

Bit 7~0 PTMn CCRA Low Byte Register bit 7 ~ bit 0
PTMn 10-/16-bit CCRA bit 7 ~ bit 0

PTMnAH Register – n=0, 1, 4, 5, 6 or 7

Bit	7	6	5	4	3	2	1	0
Name	—	—	—	—	—	—	D9	D8
R/W	—	—	—	—	—	—	R/W	R/W
POR	—	—	—	—	—	—	0	0

Bit 7~2 Unimplemented, read as "0"
Bit 1~0 PTMn CCRA High Byte Register bit 1 ~ bit 0
PTMn 10-bit CCRA bit 9 ~ bit 8

PTMnAH Register – n=2 or 3

Bit	7	6	5	4	3	2	1	0
Name	D15	D14	D13	D12	D11	D10	D9	D8
R/W	R/W	R/W	R/W	R/W	R/W	R/W	R/W	R/W
POR	0	0	0	0	0	0	0	0

Bit 7~0 PTMn CCRA High Byte Register bit 7 ~ bit 0
PTMn 16-bit CCRA bit 15 ~ bit 8

PTMnRPL Register

Bit	7	6	5	4	3	2	1	0
Name	PTnRP7	PTnRP6	PTnRP5	PTnRP4	PTnRP3	PTnRP2	PTnRP1	PTnRP0
R/W	R/W	R/W	R/W	R/W	R/W	R/W	R/W	R/W
POR	0	0	0	0	0	0	0	0

Bit 7~0 **PTnRP7~PTnRP0**: PTMn CCRP Low Byte Register bit 7 ~ bit 0
 PTMn 10-/16-bit CCRP bit 7 ~ bit 0

PTMnRPH Register – n=0, 1, 4, 5, 6 or 7

Bit	7	6	5	4	3	2	1	0
Name	—	—	—	—	—	—	PTnRP9	PTnRP8
R/W	—	—	—	—	—	—	R/W	R/W
POR	—	—	—	—	—	—	0	0

Bit 7~2 Unimplemented, read as "0"

Bit 1~0 **PTnRP9~PTnRP8**: PTMn CCRP High Byte Register bit 1 ~ bit 0
 PTMn 10-bit CCRP bit 9 ~ bit 8

PTMnRPH Register – n=2 or 3

Bit	7	6	5	4	3	2	1	0
Name	PTnRP15	PTnRP14	PTnRP13	PTnRP12	PTnRP11	PTnRP10	PTnRP9	PTnRP8
R/W	R/W	R/W	R/W	R/W	R/W	R/W	R/W	R/W
POR	0	0	0	0	0	0	0	0

Bit 7~0 **PTnRP15~PTnRP8**: PTMn CCRP High Byte Register bit 7 ~ bit 0
 PTMn 16-bit CCRP bit 15 ~ bit 8

PTMnC0 Register

Bit	7	6	5	4	3	2	1	0
Name	PTnPAU	PTnCK2	PTnCK1	PTnCK0	PTnON	—	—	—
R/W	R/W	R/W	R/W	R/W	R/W	—	—	—
POR	0	0	0	0	0	—	—	—

Bit 7 **PTnPAU**: PTMn Counter Pause control
 0: Run
 1: Pause

The counter can be paused by setting this bit high. Clearing the bit to zero restores normal counter operation. When in a Pause condition the PTMn will remain powered up and continue to consume power. The counter will retain its residual value when this bit changes from low to high and resume counting from this value when the bit changes to a low value again.

Bit 6~4 **PTnCK2~PTnCK0**: Select PTMn Counter clock

- 000: $f_{SYS}/4$
- 001: f_{SYS}
- 010: $f_H/16$
- 011: $f_H/64$
- 100: f_{SUB}
- 101: f_{SUB}
- 110: PTCKn rising edge clock
- 111: PTCKn falling edge clock

These three bits are used to select the clock source for the PTMn. The external pin clock source can be chosen to be active on the rising or falling edge. The clock source f_{SYS} is the system clock, while f_H and f_{SUB} are other internal clocks, the details of which can be found in the oscillator section.

Bit 3 **PTnON**: PTMn Counter On/Off control
 0: Off
 1: On

This bit controls the overall on/off function of the PTMn. Setting the bit high enables the counter to run while clearing the bit disables the PTMn. Clearing this bit to zero will stop the counter from counting and turn off the PTMn which will reduce its power consumption. When the bit changes state from low to high the internal counter value will be reset to zero, however when the bit changes from high to low, the internal counter will retain its residual value until the bit returns high again. If the PTMn is in the Compare Match Output Mode then the PTMn output pin will be reset to its initial condition, as specified by the PTnOC bit, when the PTnON bit changes from low to high.

Bit 2~0 Unimplemented, read as "0"

PTMnC1 Register

Bit	7	6	5	4	3	2	1	0
Name	PTnM1	PTnM0	PTnIO1	PTnIO0	PTnOC	PTnPOL	PTnCPTS	PTnCCLR
R/W	R/W	R/W	R/W	R/W	R/W	R/W	R/W	R/W
POR	0	0	0	0	0	0	0	0

Bit 7~6 **PTnM1~PTnM0**: Select PTMn Operating Mode
 00: Compare Match Output Mode
 01: Capture Input Mode
 10: PWM Output Mode or Single Pulse Output Mode
 11: Timer/Counter Mode

These bits setup the required operating mode for the PTMn. To ensure reliable operation the PTMn should be switched off before any changes are made to the PTnM1 and PTnM0 bits. In the Timer/Counter Mode, the PTMn output pin control will be disabled.

Bit 5~4 **PTnIO1~PTnIO0**: Select PTMn external pin PTPn or PTPnI function
 Compare Match Output Mode
 00: No change
 01: Output low
 10: Output high
 11: Toggle output

 PWM Output Mode/Single Pulse Output Mode
 00: PWM output inactive state
 01: PWM output active state
 10: PWM output
 11: Single Pulse Output

 Capture Input Mode
 00: Input capture at rising edge of PTPnI or PTCKn
 01: Input capture at falling edge of PTPnI or PTCKn
 10: Input capture at rising/falling edge of PTPnI or PTCKn
 11: Input capture disabled

 Timer/Counter Mode
 Unused

These two bits are used to determine how the PTMn output pin changes state when a certain condition is reached. The function that these bits select depends upon in which mode the PTMn is running.

In the Compare Match Output Mode, the PTnIO1 and PTnIO0 bits determine how the PTMn output pin changes state when a compare match occurs from the Comparator A. The PTMn output pin can be setup to switch high, switch low or to toggle its present state when a compare match occurs from the Comparator A. When the bits are both zero, then no change will take place on the output. The initial value of the PTMn output pin should be setup using the PTnOC bit in the PTMnC1 register. Note that the output level requested by the PTnIO1 and PTnIO0 bits must be different from the initial value setup using the PTnOC bit otherwise no change will occur on the PTMn output pin when a compare match occurs. After the PTMn output pin changes state, it can be reset to its initial level by changing the level of the PTnON bit from low to high.

In the PWM Output Mode, the PTnIO1 and PTnIO0 bits determine how the TM output pin changes state when a certain compare match condition occurs. The PTMn output function is modified by changing these two bits. It is necessary to only change the values of the PTnIO1 and PTnIO0 bits only after the PTMn has been switched off. Unpredictable PWM outputs will occur if the PTnIO1 and PTnIO0 bits are changed when the PTMn is running.

Bit 3 **PTnOC**: PTMn PTPn Output control

Compare Match Output Mode

0: Initial low

1: Initial high

PWM Output Mode/Single Pulse Output Mode

0: Active low

1: Active high

This is the output control bit for the PTMn output pin. Its operation depends upon whether PTMn is being used in the Compare Match Output Mode or in the PWM Output Mode/Single Pulse Output Mode. It has no effect if the PTMn is in the Timer/Counter Mode. In the Compare Match Output Mode it determines the logic level of the PTMn output pin before a compare match occurs. In the PWM Output Mode/Single Pulse Output Mode it determines if the PWM signal is active high or active low.

Bit 2 **PTnPOL**: PTMn PTPn Output polarity control

0: Non-inverted

1: Inverted

This bit controls the polarity of the PTPn output pin. When the bit is set high the PTMn output pin will be inverted and not inverted when the bit is zero. It has no effect if the PTMn is in the Timer/Counter Mode.

Bit 1 **PTnCAPTS**: PTMn Capture Trigger Source selection

0: From PTPnI pin

1: From PTCKn pin

Bit 0 **PTnCCLR**: PTMn Counter Clear condition selection

0: Comparator P match

1: Comparator A match

This bit is used to select the method which clears the counter. Remember that the Periodic TM contains two comparators, Comparator A and Comparator P, either of which can be selected to clear the internal counter. With the PTnCCLR bit set high, the counter will be cleared when a compare match occurs from the Comparator A. When the bit is low, the counter will be cleared when a compare match occurs from the Comparator P or with a counter overflow. A counter overflow clearing method can only be implemented if the CCRP bits are all cleared to zero. The PTnCCLR bit is not used in the PWM Output, Single Pulse Output or Capture Input Mode.

Periodic Type TM Operation Modes

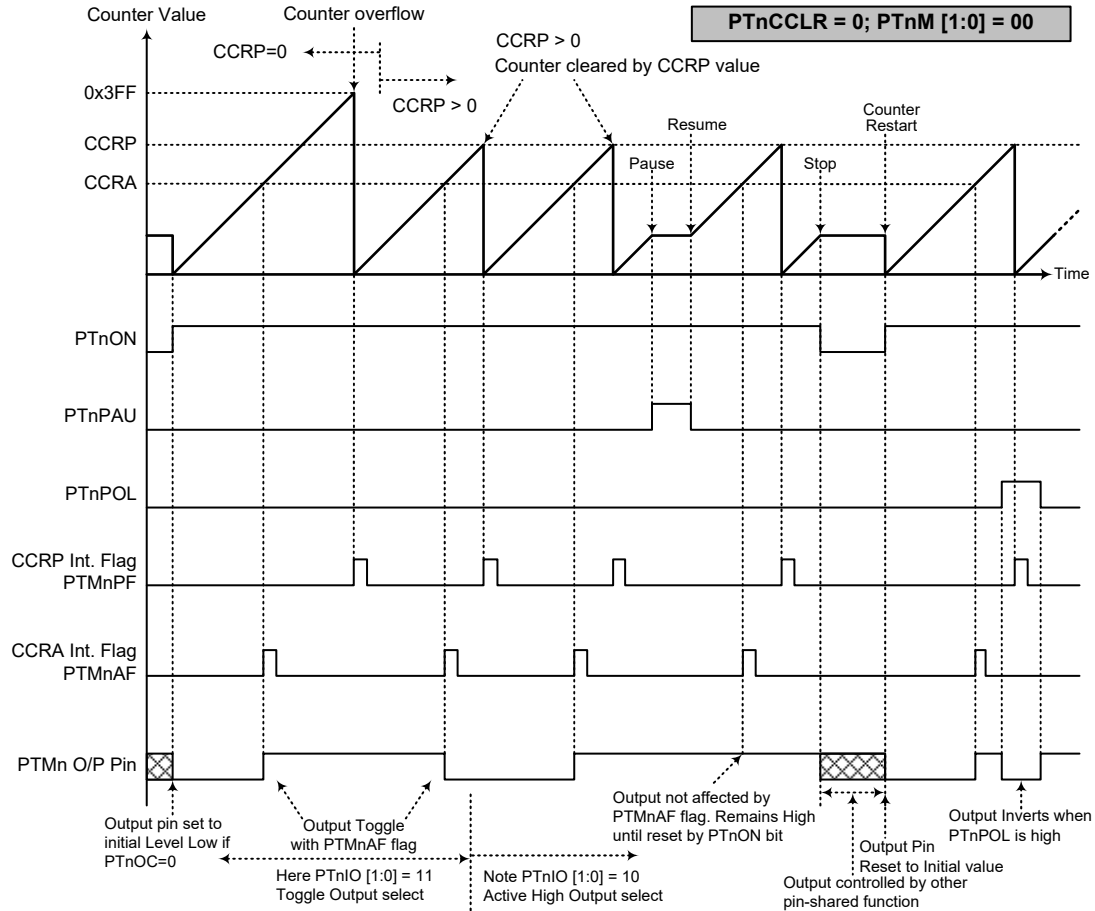
The Periodic Type TM can operate in one of five operating modes, Compare Match Output Mode, PWM Output Mode, Single Pulse Output Mode, Capture Input Mode or Timer/Counter Mode. The operating mode is selected using the PTnM1 and PTnM0 bits in the PTMnC1 register.

Compare Match Output Mode

To select this mode, bits PTnM1 and PTnM0 in the PTMnC1 register, should be set to 00 respectively. In this mode once the counter is enabled and running it can be cleared by three methods. These are a counter overflow, a compare match from Comparator A and a compare match from Comparator P. When the PTnCCLR bit is low, there are two ways in which the counter can be cleared. One is when a compare match from Comparator P, the other is when the CCRP bits are all zero which allows the counter to overflow. Here both PTMnAF and PTMnPF interrupt request flags for Comparator A and Comparator P respectively, will both be generated.

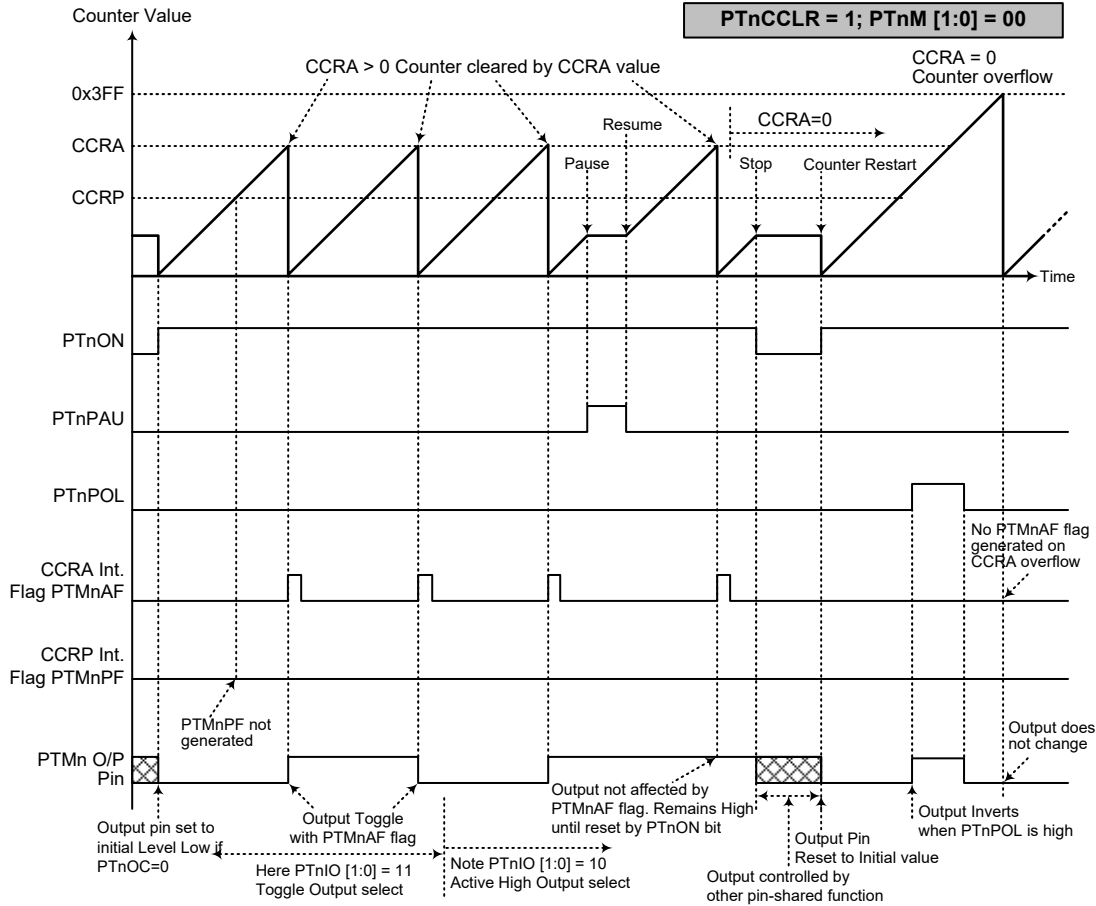
If the PTnCCLR bit in the PTMnC1 register is high then the counter will be cleared when a compare match occurs from Comparator A. However, here only the PTMnAF interrupt request flag will be generated even if the value of the CCRP bits is less than that of the CCRA registers. Therefore when PTnCCLR is high no PTMnPF interrupt request flag will be generated. In the Compare Match Output Mode, the CCRA can not be set to "0".

As the name of the mode suggests, after a comparison is made, the PTMn output pin will change state. The PTMn output pin condition however only changes state when a PTMnAF interrupt request flag is generated after a compare match occurs from Comparator A. The PTMnPF interrupt request flag, generated from a compare match occurs from Comparator P, will have no effect on the PTMn output pin. The way in which the PTMn output pin changes state are determined by the condition of the PTnIO1 and PTnIO0 bits in the PTMnC1 register. The PTMn output pin can be selected using the PTnIO1 and PTnIO0 bits to go high, to go low or to toggle from its present condition when a compare match occurs from Comparator A. The initial condition of the PTMn output pin, which is setup after the PTnON bit changes from low to high, is setup using the PTnOC bit. Note that if the PTnIO1 and PTnIO0 bits are zero then no pin change will take place.



Compare Match Output Mode – PTnCCR=0

- Note: 1. With PTnCCR=0, a Comparator P match will clear the counter
 2. The PTMn output pin is controlled only by the PTMnAF flag
 3. The output pin is reset to its initial state by a PTnON bit rising edge
 4. The 10-bit PTM maximum counter value is 0x3FFF while the 16-bit PTM maximum counter value is 0xFFFF.
 5. n=0, 1, 4, 5, 6 or 7 for 10-bit PTM while n=2 or 3 for 16-bit PTM



Compare Match Output Mode – PTnCCLR=1

- Note:
1. With PTnCCLR=1, a Comparator A match will clear the counter
 2. The PTMn output pin is controlled only by the PTMnAF flag
 3. The output pin is reset to its initial state by a PTnON bit rising edge
 4. A PTMnPF flag is not generated when PTnCCLR =1
 5. The 10-bit PTM maximum counter value is 0x3FF while the 16-bit PTM maximum counter value is 0xFFFF.
 6. n=0, 1, 4, 5, 6 or 7 for 10-bit PTM while n=2 or 3 for 16-bit PTM

Timer/Counter Mode

To select this mode, bits PTnM1 and PTnM0 in the PTMnC1 register should be set to 11 respectively. The Timer/Counter Mode operates in an identical way to the Compare Match Output Mode generating the same interrupt flags. The exception is that in the Timer/Counter Mode the PTMn output pin is not used. Therefore the above description and Timing Diagrams for the Compare Match Output Mode can be used to understand its function. As the PTMn output pin is not used in this mode, the pin can be used as a normal I/O pin or other pin-shared function.

PWM Output Mode

To select this mode, bits PTnM1 and PTnM0 in the PTMnC1 register should be set to 10 respectively and also the PTnIO1 and PTnIO0 bits should be set to 10 respectively. The PWM function within the PTMn is useful for applications which require functions such as motor control, heating control, illumination control, etc. By providing a signal of fixed frequency but of varying duty cycle on the PTMn output pin, a square wave AC waveform can be generated with varying equivalent DC RMS values.

As both the period and duty cycle of the PWM waveform can be controlled, the choice of generated waveform is extremely flexible. In the PWM mode, the PTnCCLR bit has no effect as the PWM period. Both of the CCRP and CCRA registers are used to generate the PWM waveform, one register is used to clear the internal counter and thus control the PWM waveform frequency, while the other one is used to control the duty cycle. The PWM waveform frequency and duty cycle can therefore be controlled by the values in the CCRA and CCRP registers.

As both the period and duty cycle of the PWM waveform can be controlled, the choice of generated waveform is extremely flexible. In the PWM Output mode, the PTnCCLR bit has no effect as the PWM period. Both of the CCRP and CCRA registers are used to generate the PWM waveform, one register is used to clear the internal counter and thus control the PWM waveform frequency, while the other one is used to control the duty cycle. The PWM waveform frequency and duty cycle can therefore be controlled by the values in the CCRA and CCRP registers.

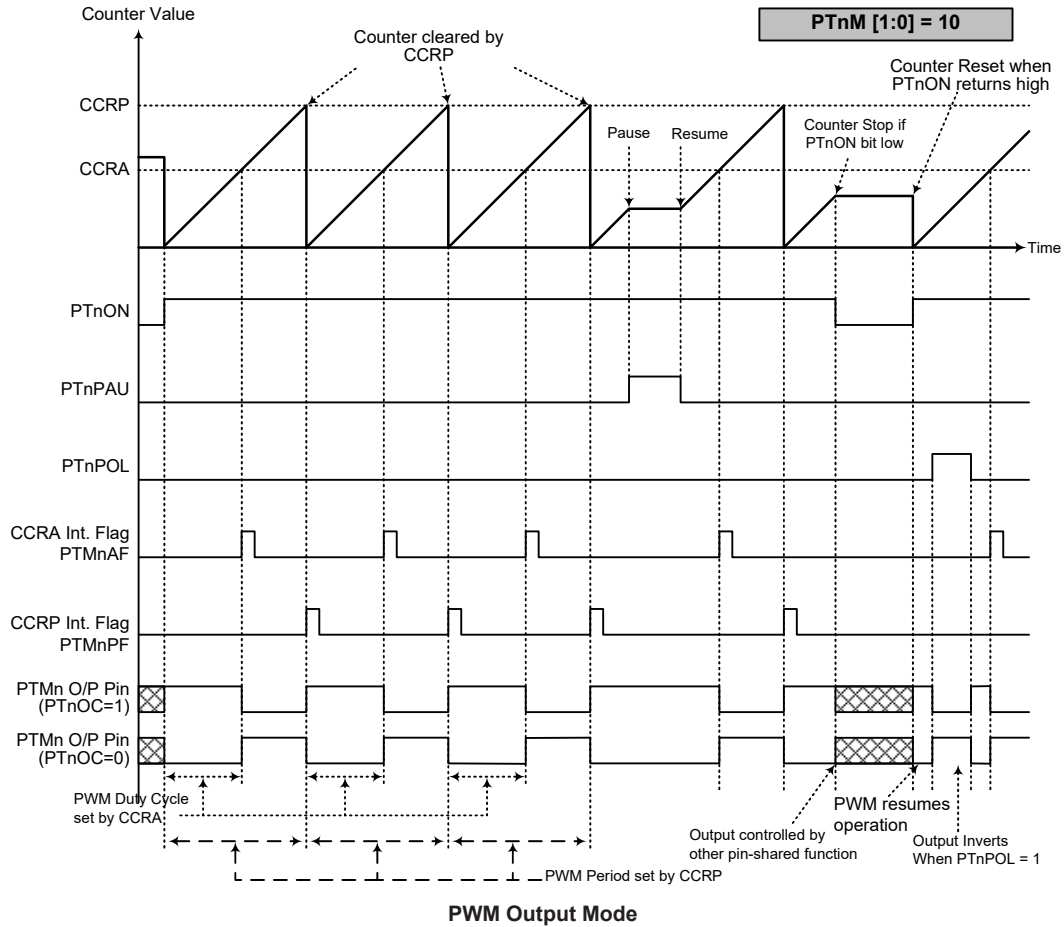
- **16-bit PTMn, PWM Output Mode,**

CCRP	1~65535	0
Period	1~65535	65536
Duty	CCRA	

If $f_{SYS}=16\text{MHz}$, TM clock source select $f_{SYS}/4$, CCRP=512 and CCRA=128,

The PTMn PWM output frequency= $(f_{SYS}/4)/512=f_{SYS}/2048=8\text{kHz}$, duty=128/512=25%,

If the Duty value defined by the CCRA register is equal to or greater than the Period value, then the PWM output duty is 100%.



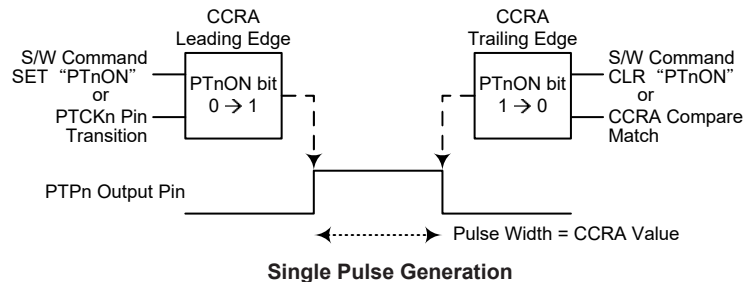
- Note:
1. The counter is cleared by CCRP.
 2. A counter clear sets the PWM Period
 3. The internal PWM function continues running even when PTnIO [1:0]=00 or 01
 4. The PTnCCLR bit has no influence on PWM operation
 5. n=0, 1, 4, 5, 6 or 7 for 10-bit PTM while n=2 or 3 for 16-bit PTM

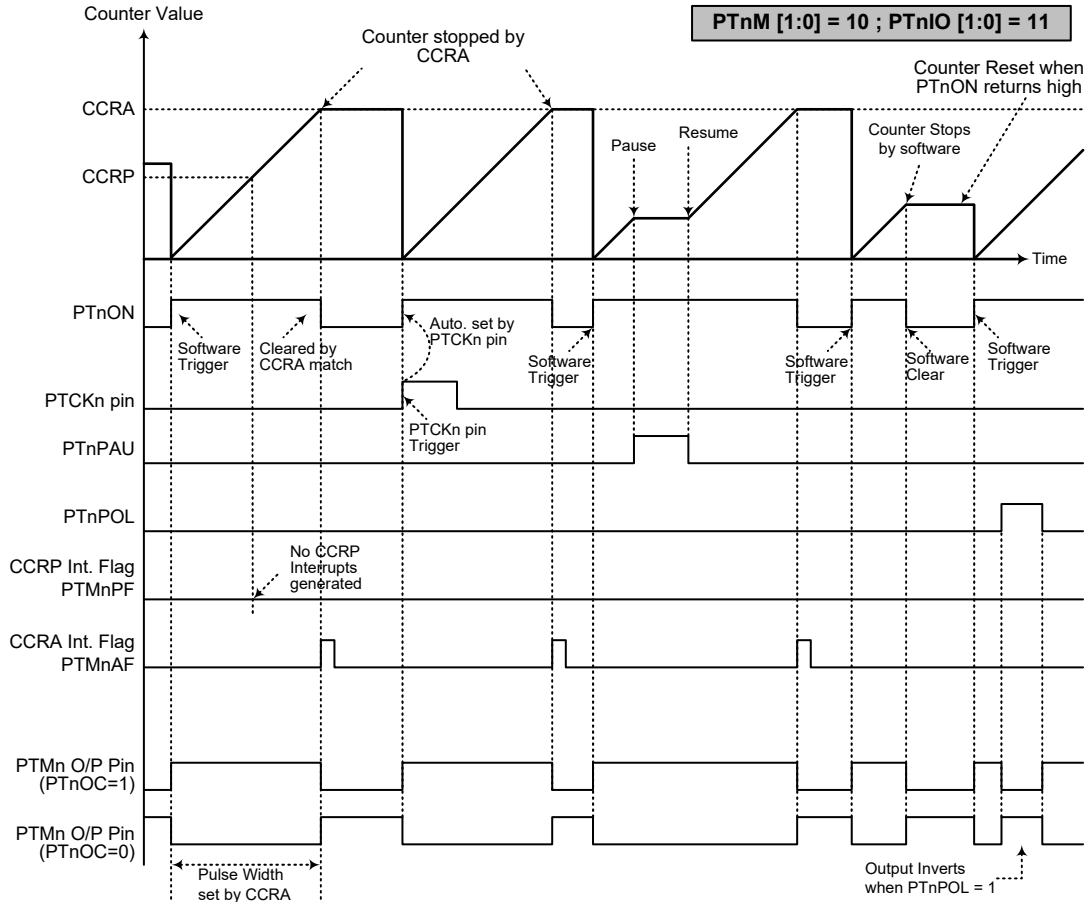
Single Pulse Output Mode

To select this mode, bits PTnM1 and PTnM0 in the PTMnC1 register should be set to 10 respectively and also the PTnIO1 and PTnIO0 bits should be set to 11 respectively. The Single Pulse Output Mode, as the name suggests, will generate a single shot pulse on the PTMn output pin.

The trigger for the pulse output leading edge is a low to high transition of the PTnON bit, which can be implemented using the application program. However in the Single Pulse Output Mode, the PTnON bit can also be made to automatically change from low to high using the external PTCKn pin, which will in turn initiate the Single Pulse output. When the PTnON bit transitions to a high level, the counter will start running and the pulse leading edge will be generated. The PTnON bit should remain high when the pulse is in its active state. The generated pulse trailing edge will be generated when the PTnON bit is cleared to zero, which can be implemented using the application program or when a compare match occurs from Comparator A.

However a compare match from Comparator A will also automatically clear the PTnON bit and thus generate the Single Pulse output trailing edge. In this way the CCRA value can be used to control the pulse width. A compare match from Comparator A will also generate a PTMn interrupt. The counter can only be reset back to zero when the PTnON bit changes from low to high when the counter restarts. In the Single Pulse Output Mode CCRP is not used. The PTnCCLR is not used in this Mode.





Single Pulse Output Mode

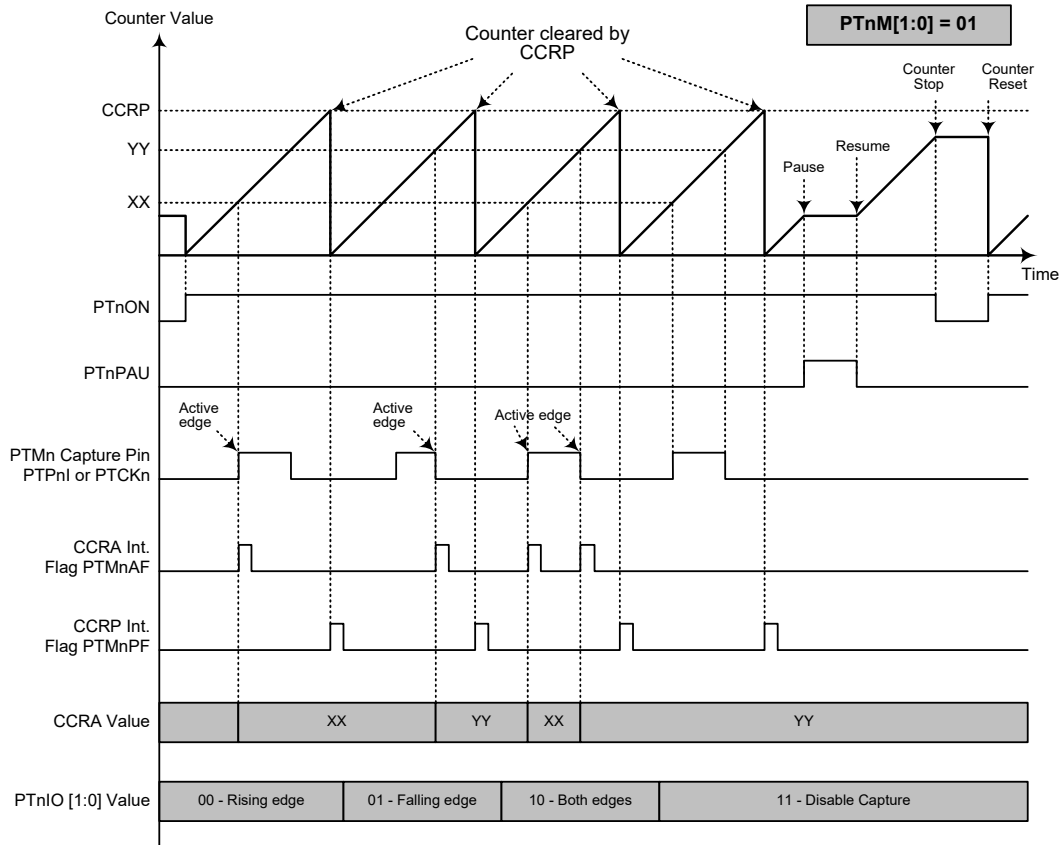
- Note:
1. Counter stopped by CCRA
 2. CCRP is not used
 3. The pulse triggered by the PTCKn pin or by setting the PTnON bit high
 4. A PTCKn pin active edge will automatically set the PTnON bit high.
 5. In the Single Pulse Output Mode, PTnIO [1:0] must be set to "11" and can not be changed.
 6. n=0, 1, 4, 5, 6 or 7 for 10-bit PTM while n=2 or 3 for 16-bit PTM

Capture Input Mode

To select this mode bits PTnM1 and PTnM0 in the PTMnC1 register should be set to 01 respectively. This mode enables external signals to capture and store the present value of the internal counter and can therefore be used for applications such as pulse width measurements. The external signal is supplied on the PTPnI or PTCKn pin, selected by the PTnCAPTS bit in the PTMnC1 register. The input pin active edge can be either a rising edge, a falling edge or both rising and falling edges; the active edge transition type is selected using the PTnIO1 and PTnIO0 bits in the PTMnC1 register. The counter is started when the PTnON bit changes from low to high which is initiated using the application program.

When the required edge transition appears on the PTPnI or PTCKn pin the present value in the counter will be latched into the CCRA registers and a PTMn interrupt generated. Irrespective of what events occur on the PTPnI or PTCKn pin the counter will continue to free run until the PTnON bit changes from high to low. When a CCRP compare match occurs the counter will reset back to zero; in this way the CCRP value can be used to control the maximum counter value. When a CCRP compare match occurs from Comparator P, a PTMn interrupt will also be generated. Counting the number of overflow interrupt signals from the CCRP can be a useful method in measuring long pulse widths. The PTnIO1 and PTnIO0 bits can select the active trigger edge on the PTPnI or PTCKn pin to be a rising edge, falling edge or both edge types. If the PTnIO1 and PTnIO0 bits are both set high, then no capture operation will take place irrespective of what happens on the PTPnI or PTCKn pin, however it must be noted that the counter will continue to run.

As the PTPnI or PTCKn pin is pin shared with other functions, care must be taken if the PTMn is in the Input Capture Mode. This is because if the pin is setup as an output, then any transitions on this pin may cause an input capture operation to be executed. The PTnCCLR, PTnOC and PTnPOL bits are not used in this Mode.



Capture Input Mode

- Note: 1. PTnM [1:0]=01 and active edge set by the PTnIO [1:0] bits
 2. A PTMn Capture input pin active edge transfers the counter value to CCRA
 3. PTnCCLR bit not used
 4. No output function – PTnOC and PTnPOL bits are not used
 5. CCRP determines the counter value and the counter has a maximum count value when CCRP is equal to zero.
 6. n=0, 1, 4, 5, 6 or 7 for 10-bit PTM while n=2 or 3 for 16-bit PTM

Analog to Digital Converter

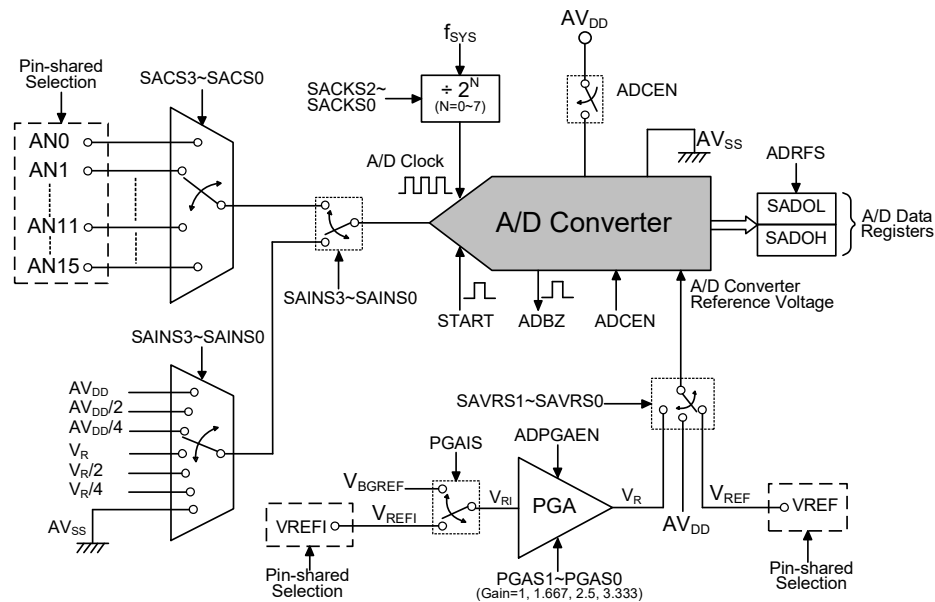
The need to interface to real world analog signals is a common requirement for many electronic systems. However, to properly process these signals by a microcontroller, they must first be converted into digital signals by A/D converters. By integrating the A/D conversion electronic circuitry into the microcontroller, the need for external components is reduced significantly with the corresponding follow-on benefits of lower costs and reduced component space requirements.

A/D Overview

These devices contain a multi-channel analog to digital converter which can directly interface to external analog signals, such as that from sensors or other control signals and convert these signals directly into a 12-bit digital value. It also can convert the internal signals, such as the internal reference voltage, into a 12-bit digital value. The external or internal analog signal to be converted is determined by the SAINS and SACS bit fields. Note that when the internal analog signal is selected to be converted using the SAINS field, the external channel analog input will automatically be switched off. More detailed information about the A/D input signal selection will be described in the "A/D Converter Input Signals" section.

The accompanying block diagram shows the internal structure of the A/D converter with its associated registers and control bits.

Device	External Input Channels	Internal Signal	A/D Signal Select
HT67F2350	AN0~AN11	AV _{DD} , AV _{DD} /2, AV _{DD} /4, V _R , V _R /2, V _R /4,	SAINS3~SAINS0 SACS3~SACS0
HT67F2360	AN0~AN15		
HT67F2370			
HT67F2390			



Note: The external channel is from AN0 to AN11 for the HT67F2350 device.

A/D Converter Structure

Registers Descriptions

Overall operation of the A/D converter is controlled using six registers. A read only register pair exists to store the A/D Converter data 12-bit value. Three registers, SADC0, SADC1 and SADC2, are the control registers which setup the operating conditions and control function of the A/D converter. The VBGRC register contains the VBGREN bit to control the bandgap reference voltage.

Register Name	Bit							
	7	6	5	4	3	2	1	0
SADOL (ADRFS=0)	D3	D2	D1	D0	—	—	—	—
SADOL (ADRFS=1)	D7	D6	D5	D4	D3	D2	D1	D0
SADOH (ADRFS=0)	D11	D10	D9	D8	D7	D6	D5	D4
SADOH (ADRFS=1)	—	—	—	—	D11	D10	D9	D8
SADC0	START	ADBZ	ADCEN	ADRFS	SACS3	SACS2	SACS1	SACS0
SADC1	SAINS3	SAINS2	SAINS1	SAINS0	—	SACKS2	SACKS1	SACKS0
SADC2	ADPGAEN	—	—	PGAIS	SAVRS1	SAVRS0	PGAGS1	PGAGS0
VBGRC	—	—	—	—	—	—	—	VBGREN

A/D Converter Registers List

A/D Converter Data Registers – SADOL, SADOH

As these devices contain an internal 12-bit A/D converter, it requires two data registers to store the converted value. These are a high byte register, known as SADOH, and a low byte register, known as SADOL. After the conversion process takes place, these registers can be directly read by the microcontroller to obtain the digitised conversion value. As only 12 bits of the 16-bit register space is utilised, the format in which the data is stored is controlled by the ADRFS bit in the SADC0 register as shown in the accompanying table. D0~D11 are the A/D conversion result data bits. Any unused bits will be read as zero. The A/D data registers contents will be unchanged if the A/D converter is disabled.

ADRFS	SADOH								SADOL							
	7	6	5	4	3	2	1	0	7	6	5	4	3	2	1	0
0	D11	D10	D9	D8	D7	D6	D5	D4	D3	D2	D1	D0	0	0	0	0
1	0	0	0	0	D11	D10	D9	D8	D7	D6	D5	D4	D3	D2	D1	D0

A/D Converter Data Registers

A/D Converter Control Registers – SADC0, SADC1, SADC2

To control the function and operation of the A/D converter, three control registers known as SADC0, SADC1 and SADC2 are provided. These 8-bit registers define functions such as the selection of which analog signal is connected to the internal A/D converter, the digitised data format, the A/D clock source as well as controlling the start function and monitoring the A/D converter busy status. As these devices contain only one actual analog to digital converter hardware circuit, each of the external and internal analog signals must be routed to the converter. The SAINS field in the SADC1 register and SACS field in the SADC0 register are used to determine which analog signal derived from the external or internal signals will be connected to the A/D converter. The A/D converter also contains a programmable gain amplifier, PGA, to generate the A/D converter internal reference voltage. The overall operation of the PGA is controlled using the SADC2 register.

The relevant pin-shared function selection bits determine which pins on I/O Ports are used as analog inputs for the A/D converter input and which pins are not. When the pin is selected to be an A/D input, its original function whether it is an I/O or other pin-shared function will be removed. In addition, any internal pull-high resistor connected to the pin will be automatically removed if the pin is selected to be an A/D converter input.

• **SADC0 Register – HT67F2350**

Bit	7	6	5	4	3	2	1	0
Name	START	ADBZ	ADCEN	ADRFS	SACS3	SACS2	SACS1	SACS0
R/W	R/W	R	R/W	R/W	R/W	R/W	R/W	R/W
POR	0	0	0	0	0	0	0	0

- Bit 7 START:** Start the A/D Conversion
0→1→0: Start
This bit is used to initiate an A/D conversion process. The bit is normally low but if set high and then cleared low again, the A/D converter will initiate a conversion process.
- Bit 6 ADBZ:** A/D Converter busy flag
0: No A/D conversion is in progress
1: A/D conversion is in progress
This read only flag is used to indicate whether the A/D conversion is in progress or not. When the START bit is set from low to high and then to low again, the ADBZ flag will be set to 1 to indicate that the A/D conversion is initiated. The ADBZ flag will be cleared to 0 after the A/D conversion is complete.
- Bit 5 ADCEN:** A/D Converter function enable control
0: Disable
1: Enable
This bit controls the A/D internal function. This bit should be set to one to enable the A/D converter. If the bit is set low, then the A/D converter will be switched off reducing the device power consumption. When the A/D converter function is disabled, the contents of the A/D data register pair known as SADOH and SADOL will be unchanged.
- Bit 4 ADRFS:** A/D conversion data format select
0: A/D converter data format → SADOH=D [11:4]; SADOL=D [3:0]
1: A/D converter data format → SADOH=D [11:8]; SADOL=D [7:0]
This bit controls the format of the 12-bit converted A/D value in the two A/D data registers. Details are provided in the A/D converter data register section.
- Bit 3~0 SACS3~SACS0:** A/D converter external analog input channel select
0000: External AN0 input
0001: External AN1 input
0010: External AN2 input
0011: External AN3 input
0100: External AN4 input
0101: External AN5 input
0110: External AN6 input
0111: External AN7 input
1000: External AN8 input
1001: External AN9 input
1010: External AN10 input
1011: External AN11 input
11xx: Undefined, input floating.
These bits are used to select which external analog input channel is to be converted. When the external analog input channel is selected, the SAINS bit field must set to "0000", "0100" or "11xx". Details are summarized in the "A/D Converter Input Signal Selection" table.

• **SADC0 Register – HT67F2360/HT67F2370/HT67F2390**

Bit	7	6	5	4	3	2	1	0
Name	START	ADBZ	ADCEN	ADRFS	SACS3	SACS2	SACS1	SACS0
R/W	R/W	R	R/W	R/W	R/W	R/W	R/W	R/W
POR	0	0	0	0	0	0	0	0

- Bit 7** **START:** Start the A/D Conversion
0→1→0: Start
This bit is used to initiate an A/D conversion process. The bit is normally low but if set high and then cleared low again, the A/D converter will initiate a conversion process.
- Bit 6** **ADBZ:** A/D Converter busy flag
0: No A/D conversion is in progress
1: A/D conversion is in progress
This read only flag is used to indicate whether the A/D conversion is in progress or not. When the START bit is set from low to high and then to low again, the ADBZ flag will be set to 1 to indicate that the A/D conversion is initiated. The ADBZ flag will be cleared to 0 after the A/D conversion is complete.
- Bit 5** **ADCEN:** A/D Converter function enable control
0: Disable
1: Enable
This bit controls the A/D internal function. This bit should be set to one to enable the A/D converter. If the bit is set low, then the A/D converter will be switched off reducing the device power consumption. When the A/D converter function is disabled, the contents of the A/D data register pair known as SADOH and SADOL will be unchanged.
- Bit 4** **ADRFS:** A/D conversion data format select
0: A/D converter data format → SADOH=D [11:4]; SADOL=D [3:0]
1: A/D converter data format → SADOH=D [11:8]; SADOL=D [7:0]
This bit controls the format of the 12-bit converted A/D value in the two A/D data registers. Details are provided in the A/D converter data register section.
- Bit 3~0** **SACS3~SACS0:** A/D converter external analog input channel select
0000: External AN0 input
0001: External AN1 input
0010: External AN2 input
0011: External AN3 input
0100: External AN4 input
0101: External AN5 input
0110: External AN6 input
0111: External AN7 input
1000: External AN8 input
1001: External AN9 input
1010: External AN10 input
1011: External AN11 input
1100: External AN12 input
1101: External AN13 input
1110: External AN14 input
1111: External AN15 input
These bits are used to select which external analog input channel is to be converted. When the external analog input channel is selected, the SAINS bit field must set to "0000", "0100" or "11xx". Details are summarized in the "A/D Converter Input Signal Selection" table.

• SADC1 Register

Bit	7	6	5	4	3	2	1	0
Name	SAINS3	SAINS2	SAINS1	SAINS0	—	SACKS2	SACKS1	SACKS0
R/W	R/W	R/W	R/W	R/W	—	R/W	R/W	R/W
POR	0	0	0	0	—	0	0	0

- Bit 7~4 **SAINS3~SAINS0**: A/D converter input signal select
 0000: External source – External analog channel input, ANn
 0001: Internal source – Internal signal derived from AV_{DD}
 0010: Internal source – Internal signal derived from AV_{DD}/2
 0011: Internal source – Internal signal derived from AV_{DD}/4
 0100: External source – External analog channel input, ANn
 0101: Internal source – Internal signal derived from PGA output V_R
 0110: Internal source – Internal signal derived from PGA output V_R/2
 0111: Internal source – Internal signal derived from PGA output V_R/4
 10xx: Internal source – Ground.
 11xx: External source – External analog channel input, ANn

When the internal analog signal is selected to be converted, the external channel signal input will automatically be switched off regardless of the SACKS field value. It will prevent the external channel input from being connected together with the internal analog signal.

- Bit 3 Unimplemented, read as "0"
- Bit 2~0 **SACKS2~SACKS0**: A/D conversion clock source select
 000: f_{SVS}
 001: f_{SVS}/2
 010: f_{SVS}/4
 011: f_{SVS}/8
 100: f_{SVS}/16
 101: f_{SVS}/32
 110: f_{SVS}/64
 111: f_{SVS}/128

These bits are used to select the clock source for the A/D converter. It is recommended that the A/D conversion clock frequency should be in the range from 500 kHz to 1MHz by properly configuring the SACKS2~SACKS0 bits.

• SADC2 Register

Bit	7	6	5	4	3	2	1	0
Name	ADPGAEN	—	—	PGAIS	SAVRS1	SAVRS0	PGAGS1	PGAGS0
R/W	R/W	—	—	R/W	R/W	R/W	R/W	R/W
POR	0	—	—	0	0	0	0	0

- Bit 7 **ADPGAEN**: PGA enable control
 0: Disable
 1: Enable
- Bit 6~5 Unimplemented, read as "0"
- Bit 4 **PGAIS**: PGA input voltage selection
 0: From VREFI pin
 1: From internal reference voltage V_{BGREF}
- Bit 3~2 **SAVRS1~SAVRS0**: A/D converter reference voltage select
 00: Internal A/D converter power, AV_{DD}.
 01: External VREF pin
 1x: Internal PGA output voltage, V_R.

These bits are used to select the A/D converter reference voltage source. When the internal reference voltage source is selected, the reference voltage derived from the external VREF pin will automatically be switched off.

Bit 1~0 **PGAGS1~PGAGS0**: PGA gain select
 00: Gain=1
 01: Gain=1.667 – $V_R=2V$ as $V_{RI}=1.2V$
 10: Gain=2.5 – $V_R=3V$ as $V_{RI}=1.2V$
 11: Gain=3.333 – $V_R=4V$ as $V_{RI}=1.2V$

These bits are used to select the PGA gain. Note that here the gain is guaranteed only when the PGA input voltage is equal to 1.2V.

• **VBGRC Register**

Bit	7	6	5	4	3	2	1	0
Name	—	—	—	—	—	—	—	VBGREN
R/W	—	—	—	—	—	—	—	R/W
POR	—	—	—	—	—	—	—	0

Bit 7~1 Unimplemented, read as "0"

Bit 0 **VBGREN**: Bandgap reference voltage control
 0: Disable
 1: Enable

This bit is used to enable the internal Bandgap reference circuit. The internal Bandgap reference circuit should first be enabled before the V_{BGREF} voltage is selected to be used. A specific start-up time is necessary for the Bandgap circuit to become stable and accurate.

A/D Converter Reference Voltage

The actual reference voltage supply to the A/D Converter can be supplied from the positive power supply pin, AVDD, an external reference source supplied on pin VREF or an internal reference voltage V_R determined by the SAVRS1~SAVRS0 bits in the SADC2 register. The internal reference voltage is amplified through a programmable gain amplifier, PGA, which is controlled by the ADPGAEN bit in the SADC2 register. The PGA gain can be equal to 1, 1.667, 2.5 or 3.333 and selected using the PGAGS1~PGAGS0 bits in the SADC2 register. The PGA input can come from the external reference input pin, VREFI, or an internal Bandgap reference voltage, V_{BGREF} , selected by the PGAIS bit in the SADC2 register. As the VREFI and VREF pin both are pin-shared with other functions, when the VREFI or VREF pin is selected as the reference voltage pin, the VREFI or VREF pin-shared function selection bits should first be properly configured to disable other pin-shared functions. However, if the internal reference signal is selected as the reference source, the external reference input from the VREFI or VREF pin will automatically be switched off by hardware.

Note that the internal Bandgap reference circuit should first be enabled before the V_{BGREF} is selected to be used. A specific start-up time is necessary for the Bandgap circuit to become stable and accurate.

A/D Converter Input Signals

All of the external A/D analog input pins are pin-shared with the I/O pins as well as other functions. The corresponding pin-shared function selection bits in the PxS1 and PxS0 registers, determine whether the external input pins are setup as A/D converter analog channel inputs or whether they have other functions. If the corresponding pin is setup to be an A/D converter analog channel input, the original pin function will be disabled. In this way, pins can be changed under program control to change their function between A/D inputs and other functions. All pull-high resistors, which are setup through register programming, will be automatically disconnected if the pins are setup as A/D inputs. Note that it is not necessary to first setup the A/D pin as an input in the port control register to enable the A/D input as when the relevant A/D input function selection bits enable an A/D input, the status of the port control register will be overridden.

As these devices contain only one actual analog to digital converter hardware circuit, each of the external and internal analog signals must be routed to the converter. The SAINS3~SAINS0 bits in the SADC1 register are used to determine that the analog signal to be converted comes from the external channel input or internal analog signal. The SACS3~SACS0 bits in the SADC0 register are used to determine which external channel input is selected to be converted. If the SAINS3~SAINS0 bits are set to "0000", the external channel input will be selected to be converted and the SACS3~SACS0 bits can determine which external channel is selected.

When the SAINS field is set to the value of "0x01", "0x10" or "0x11", the internal analog signal will be selected. If the internal analog signal is selected to be converted, the external channel signal input will automatically be switched off regardless of the SACS field value. It will prevent the external channel input from being connected together with the internal analog signal.

SAINS [3:0]	SACS [3:0]	Input Signals	Description
0000, 0100, 11xx	0000~1011	AN0~AN11	External channel analog input ANn.
	11xx	—	Floating, no external channel is selected.
0001	xxxx	AV _{DD}	Internal signal derived from AV _{DD}
0010	xxxx	AV _{DD} /2	Internal signal derived from AV _{DD} /2
0011	xxxx	AV _{DD} /4	Internal signal derived from AV _{DD} /4
0101	xxxx	V _R	Internal signal derived from PGA output V _R
0110	xxxx	V _R /2	Internal signal derived from PGA output V _R /2
0111	xxxx	V _R /4	Internal signal derived from PGA output V _R /4
10xx	xxxx	GND	Connected to the ground.

A/D Converter Input Signal Selection – HT67F2350

SAINS [3:0]	SACS [3:0]	Input Signals	Description
0000, 0100, 11xx	0000~1111	AN0~AN15	External channel analog input ANn
	xxxx	AV _{DD}	Internal signal derived from AV _{DD}
0010	xxxx	AV _{DD} /2	Internal signal derived from AV _{DD} /2
0011	xxxx	AV _{DD} /4	Internal signal derived from AV _{DD} /4
0101	xxxx	V _R	Internal signal derived from PGA output V _R
0110	xxxx	V _R /2	Internal signal derived from PGA output V _R /2
0111	xxxx	V _R /4	Internal signal derived from PGA output V _R /4
10xx	xxxx	GND	Connected to the ground.

A/D Converter Input Signal Selection – HT67F2360/HT67F2370/HT67F2390

A/D Operation

The START bit in the SADC0 register is used to start the AD conversion. When the microcontroller sets this bit from low to high and then low again, an analog to digital conversion cycle will be initiated.

The ADBZ bit in the SADC0 register is used to indicate whether the analog to digital conversion process is in progress or not. This bit will be automatically set to 1 by the microcontroller after an A/D conversion is successfully initiated. When the A/D conversion is complete, the ADBZ bit will be cleared to 0. In addition, the corresponding A/D interrupt request flag will be set in the interrupt control register, and if the interrupts are enabled, an internal interrupt signal will be generated. This A/D internal interrupt signal will direct the program flow to the associated A/D internal interrupt address for processing. If the A/D internal interrupt is disabled, the microcontroller can poll the ADBZ bit in the SADC0 register to check whether it has been cleared as an alternative method of detecting the end of an A/D conversion cycle.

The clock source for the A/D converter, which originates from the system clock f_{SYS} , can be chosen to be either f_{SYS} or a subdivided version of f_{SYS} . The division ratio value is determined by the SACKS2~SACKS0 bits in the SADC1 register. Although the A/D clock source is determined by the system clock f_{SYS} and by bits SACKS2~SACKS0, there are some limitations on the maximum A/D clock source speed that can be selected. As the recommended range of permissible A/D clock period, t_{ADCK} , is from 0.5 μ s to 10 μ s, care must be taken for system clock frequencies. For example, if the system clock operates at a frequency of 8MHz, the SACKS2~SACKS0 bits should not be set to 000, 001 or 111. Doing so will give A/D clock periods that are less than the minimum A/D clock period which may result in inaccurate A/D conversion values. Refer to the following table for examples, where values marked with an asterisk * show where, depending upon the device, special care must be taken, as the values may be less than the specified minimum A/D Clock Period.

f_{SYS}	A/D Clock Period (t_{ADCK})							
	SACKS [2:0]=000 (f_{SYS})	SACKS [2:0]=001 ($f_{SYS}/2$)	SACKS [2:0]=010 ($f_{SYS}/4$)	SACKS [2:0]=011 ($f_{SYS}/8$)	SACKS [2:0]=100 ($f_{SYS}/16$)	SACKS [2:0]=101 ($f_{SYS}/32$)	SACKS [2:0]=110 ($f_{SYS}/64$)	SACKS [2:0]=111 ($f_{SYS}/128$)
1 MHz	1 μ s	2 μ s	4 μ s	8 μ s	16 μ s *	32 μ s *	64 μ s *	128 μ s *
2 MHz	500ns	1 μ s	2 μ s	4 μ s	8 μ s	16 μ s *	32 μ s *	64 μ s *
4 MHz	250ns *	500ns	1 μ s	2 μ s	4 μ s	8 μ s	16 μ s *	32 μ s *
8 MHz	125ns *	250ns *	500ns	1 μ s	2 μ s	4 μ s	8 μ s	16 μ s *
12 MHz	83ns *	167ns *	333ns *	667ns	1.33 μ s	2.67 μ s	5.33 μ s	10.67 μ s *
16 MHz	62.5ns *	125ns *	250ns *	500ns	1 μ s	2 μ s	4 μ s	8 μ s

A/D Clock Period Examples

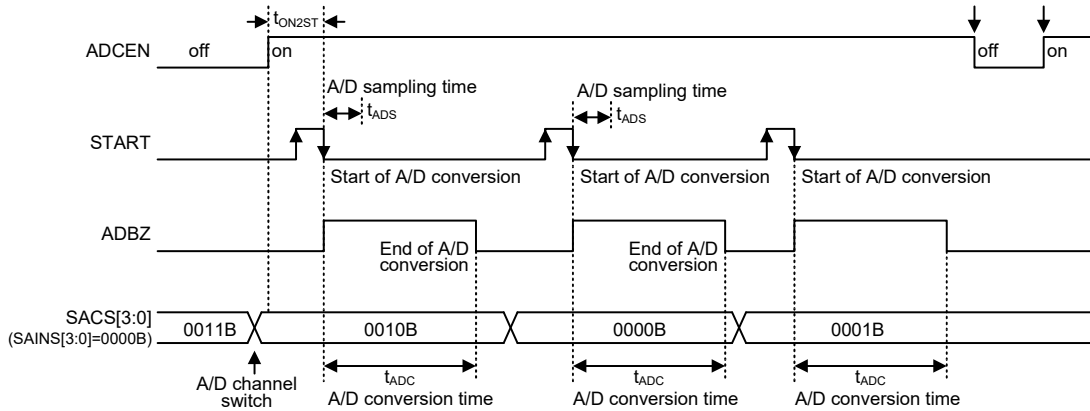
Controlling the power on/off function of the A/D converter circuitry is implemented using the ADCEN bit in the SADC0 register. This bit must be set high to power on the A/D converter. When the ADCEN bit is set high to power on the A/D converter internal circuitry a certain delay, as indicated in the timing diagram, must be allowed before an A/D conversion is initiated. Even if no pins are selected for use as A/D inputs, if the ADCEN bit is high, then some power will still be consumed. In power conscious applications it is therefore recommended that the ADCEN is set low to reduce power consumption when the A/D converter function is not being used.

Conversion Rate and Timing Diagram

A complete A/D conversion contains two parts, data sampling and data conversion. The data sampling which is defined as t_{ADS} takes 4 A/D clock periods and the data conversion takes 12 A/D clock periods. Therefore a total of 16 A/D clock periods for an analog signal A/D conversion which is defined as t_{ADC} are necessary.

$$\text{Maximum single A/D conversion rate} = 1/(\text{A/D clock period} \times 16)$$

The accompanying diagram shows graphically the various stages involved in an external channel input signal analog to digital conversion process and its associated timing. After an A/D conversion process has been initiated by the application program, the microcontroller internal hardware will begin to carry out the conversion, during which time the program can continue with other functions. The time taken for the A/D conversion is $16 t_{ADCK}$ where t_{ADCK} is equal to the A/D clock period.



A/D Conversion Timing

Summary of A/D Conversion Steps

The following summarises the individual steps that should be executed in order to implement an A/D conversion process.

- Step 1
Select the required A/D conversion clock by properly programming the SACKS2~SACKS0 bits in the SADC1 register.
- Step 2
Enable the A/D converter by setting the ADCEN bit in the SADC0 register to one.
- Step 3
Select which signal is to be connected to the internal A/D converter by correctly configuring the SACS and SAINS bit fields
Selecting the external channel input to be converted, go to Step 4.
Selecting the internal analog signal to be converted, go to Step 5.
- Step 4
If the SAINS field is 0000, 0100 or 11xx, the external channel input can be selected. The desired external channel input is selected by configuring the SACS field. When the A/D input signal comes from the external channel input, the corresponding pin should be configured as an A/D input function by selecting the relevant pin-shared function control bits. Then go to Step 6.
- Step 5
If the SAINS field is set to 0x01, 0x10 or 0x11, the relevant internal analog signal will be selected. When the internal analog signal is selected to be converted, the external channel analog input will automatically be disconnected. Then go to Step 6.
- Step 6
Select the A/D converter output data format by configuring the ADRFS bit.
- Step 7
Select the A/D converter reference voltage source by configuring the SAVRS bit field.
Select the PGA input signal and the desired PGA gain if the PGA output voltage, V_R , is selected as the A/D converter reference voltage.
- Step 8
If A/D conversion interrupt is used, the interrupt control registers must be correctly configured to ensure the A/D interrupt function is active. The master interrupt control bit, EMI, and the A/D conversion interrupt control bit, ADE, must both be set high in advance.
- Step 9
The A/D conversion procedure can now be initialized by setting the START bit from low to high and then low again.
- Step 10
If A/D conversion is in progress, the ADBZ flag will be set high. After the A/D conversion process is complete, the ADBZ flag will go low and then the output data can be read from SADOH and SADOL registers.

Note: When checking for the end of the conversion process, if the method of polling the ADBZ bit in the SADC0 register is used, the interrupt enable step above can be omitted.

Programming Considerations

During microcontroller operations where the A/D converter is not being used, the A/D internal circuitry can be switched off to reduce power consumption, by setting bit ADCEN low in the SADC0 register. When this happens, the internal A/D converter circuits will not consume power irrespective of what analog voltage is applied to their input lines. If the A/D converter input lines are used as normal I/Os, then care must be taken as if the input voltage is not at a valid logic level, then this may lead to some increase in power consumption.

A/D Transfer Function

As the devices contain a 12-bit A/D converter, its full-scale converted digitised value is equal to FFFH. Since the full-scale analog input value is equal to the actual A/D converter reference voltage, V_{REF} , this gives a single bit analog input value of reference voltage value divided by 4096.

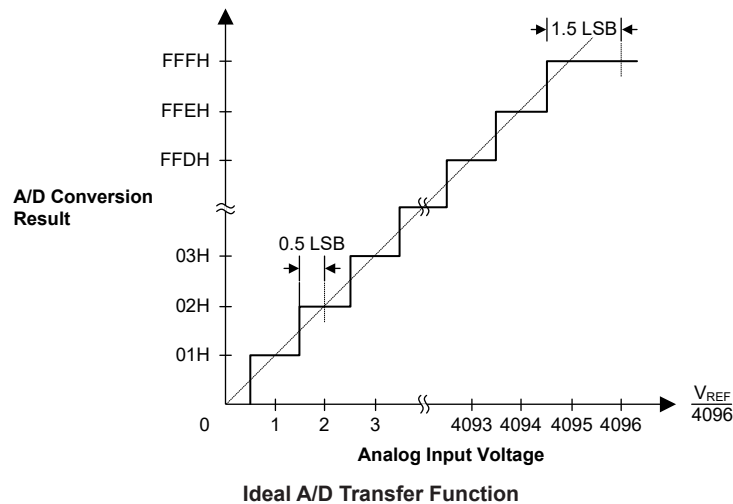
$$1 \text{ LSB} = V_{REF} \div 4096$$

The A/D Converter input voltage value can be calculated using the following equation:

$$\text{A/D input voltage} = \text{A/D output digital value} \times V_{REF} \div 4096$$

The diagram shows the ideal transfer function between the analog input value and the digitised output value for the A/D converter. Except for the digitised zero value, the subsequent digitised values will change at a point 0.5 LSB below where they would change without the offset, and the last full scale digitised value will change at a point 1.5 LSB below the V_{REF} level.

Note that here the V_{REF} voltage is the actual A/D converter reference voltage determined by the SAVRS field.



A/D Programming Examples

The following two programming examples illustrate how to setup and implement an A/D conversion. In the first example, the method of polling the ADBZ bit in the SADC0 register is used to detect when the conversion cycle is complete, whereas in the second example, the A/D interrupt is used to determine when the conversion is complete.

Example: using an ADBZ polling method to detect the end of conversion

```
clr ADE                ; disable ADC interrupt
mov a,03H              ; select fsys/8 as A/D clock and A/D input
mov SADC1,a            ; signal comes from external channel
mov a,00H              ; select AVDD as the A/D reference voltage source
mov SADC2,a
set ADCEN
mov a,02H              ; setup PCS0 to configure pin AN0
mov PCS0,a
mov a,00H              ; select AN0 as the A/D external channel input
mov SADC0,a
:
start_conversion:
clr START              ; high pulse on start bit to initiate conversion
set START              ; reset A/D
clr START              ; start A/D
:
polling_EOC:
sz ADBZ                ; poll the SADC0 register ADBZ bit to detect end of A/D conversion
jmp polling_EOC        ; continue polling
:
mov a,SADOL             ; read low byte conversion result value
mov SADOL_buffer,a     ; save result to user defined register
mov a,SADOH             ; read high byte conversion result value
mov SADOH_buffer,a     ; save result to user defined register
:
jmp start_conversion   ; start next A/D conversion
```

Example: using the interrupt method to detect the end of conversion

```
clr ADE ; disable ADC interrupt
mov a,03H ; select fsys/8 as A/D clock and A/D input
mov SADC1,a ; signal comes from external channel
mov a,00H ; select AVDD as the A/D reference voltage source
mov SADC2,a
set ADCEN
mov a,02h ; setup PCS0 to configure pin AN0
mov PCS0,a
mov a,00h
mov SADC0,a ; select AN0 as the A/D external channel input
:
Start_conversion:
clr START ; high pulse on START bit to initiate conversion
set START ; reset A/D
clr START ; start A/D
clr ADF ; clear ADC interrupt request flag
set ADE ; enable ADC interrupt
set EMI ; enable global interrupt
:
:
ADC_ISR: ; ADC interrupt service routine
mov acc_stack,a ; save ACC to user defined memory
mov a,STATUS
mov status_stack,a ; save STATUS to user defined memory
:
mov a,SADOL ; read low byte conversion result value
mov SADOL_buffer,a ; save result to user defined register
mov a,SADOH ; read high byte conversion result value
mov SADOH_buffer,a ; save result to user defined register
:
EXIT_INT_ISR:
mov a,status_stack
mov STATUS,a ; restore STATUS from user defined memory
mov a,acc_stack ; restore ACC from user defined memory
reti
```

Serial Interface Module – SIM

These devices contain a Serial Interface Module, which includes both the four-line SPI interface or two-line I²C interface types, to allow an easy method of communication with external peripheral hardware. Having relatively simple communication protocols, these serial interface types allow the microcontroller to interface to external SPI or I²C based hardware such as sensors, Flash or EEPROM memory, etc. The SIM interface pins are pin-shared with other I/O pins and therefore the SIM interface functional pins must first be selected using the corresponding pin-shared function selection bits. As both interface types share the same pins and registers, the choice of whether the SPI or I²C type is used is made using the SIM operating mode control bits, named SIM2~SIM0, in the SIMC0 register. These pull-high resistors of the SIM pin-shared I/O pins are selected using pull-high control registers when the SIM function is enabled and the corresponding pins are used as SIM input pins.

SPI Interface

The SPI interface is often used to communicate with external peripheral devices such as sensors, Flash or EEPROM memory devices, etc. Originally developed by Motorola, the four line SPI interface is a synchronous serial data interface that has a relatively simple communication protocol simplifying the programming requirements when communicating with external hardware devices.

The communication is full duplex and operates as a slave/master type, where the devices can be either master or slave. Although the SPI interface specification can control multiple slave devices from a single master, these devices provided only one $\overline{\text{SCS}}$ pin. If the master needs to control multiple slave devices from a single master, the master can use I/O pin to select the slave devices.

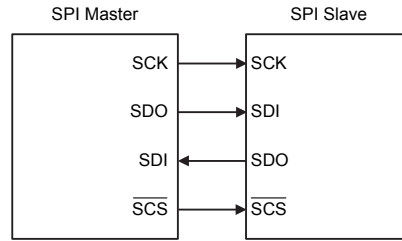
SPI Interface Operation

The SPI interface is a full duplex synchronous serial data link. It is a four line interface with pin names SDI, SDO, SCK and $\overline{\text{SCS}}$. Pins SDI and SDO are the Serial Data Input and Serial Data Output lines, SCK is the Serial Clock line and $\overline{\text{SCS}}$ is the Slave Select line. As the SPI interface pins are pin-shared with normal I/O pins and with the I²C function pins, the SPI interface pins must first be selected by configuring the pin-shared function selection bits and setting the correct bits in the SIMC0 and SIMC2 registers. After the desired SPI configuration has been set it can be disabled or enabled using the SIMEN bit in the SIMC0 register. Communication between devices connected to the SPI interface is carried out in a slave/master mode with all data transfer initiations being implemented by the master. The Master also controls the clock signal. As the device only contains a single $\overline{\text{SCS}}$ pin only one slave device can be utilized. The $\overline{\text{SCS}}$ pin is controlled by software, set CSEN bit to 1 to enable $\overline{\text{SCS}}$ pin function, set CSEN bit to 0 the $\overline{\text{SCS}}$ pin will be floating state.

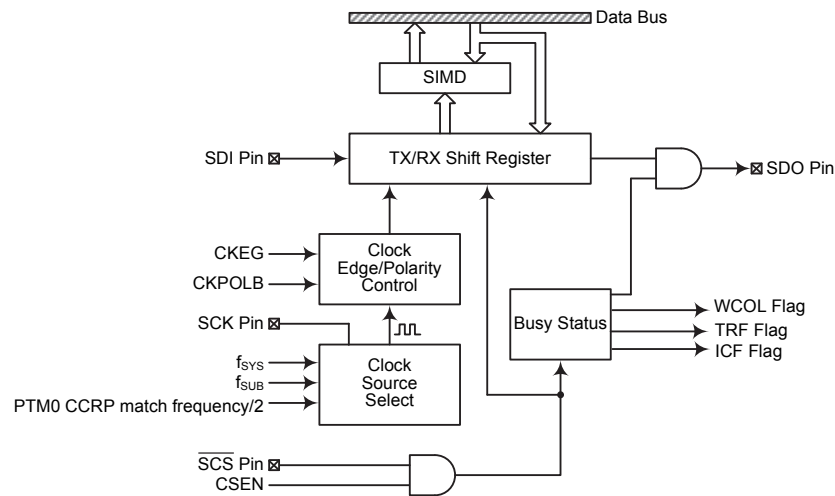
The SPI function in this device offers the following features:

- Full duplex synchronous data transfer
- Both Master and Slave modes
- LSB first or MSB first data transmission modes
- Transmission complete flag
- Rising or falling active clock edge

The status of the SPI interface pins is determined by a number of factors such as whether the device is in the master or slave mode and upon the condition of certain control bits such as CSEN and SIMEN.



SPI Master/Slave Connection



SPI Block Diagram

SPI Registers

There are three internal registers which control the overall operation of the SPI interface. These are the SIMD data register and two registers SIMC0 and SIMC2. Note that the SIMC1 register is only used by the I²C interface.

Register Name	Bit							
	7	6	5	4	3	2	1	0
SIMC0	SIM2	SIM1	SIM0	—	SIMDEB1	SIMDEB0	SIMEN	SIMICF
SIMC2	D7	D6	CKPOLB	CKEG	MLS	CSEN	WCOL	TRF
SIMD	D7	D6	D5	D4	D3	D2	D1	D0

SPI Registers List

• SIMD Register

The SIMD register is used to store the data being transmitted and received. The same register is used by both the SPI and I²C functions. Before the device writes data to the SPI bus, the actual data to be transmitted must be placed in the SIMD register. After the data is received from the SPI bus, the device can read it from the SIMD register. Any transmission or reception of data from the SPI bus must be made via the SIMD register.

Bit	7	6	5	4	3	2	1	0
Name	D7	D6	D5	D4	D3	D2	D1	D0
R/W	R/W	R/W	R/W	R/W	R/W	R/W	R/W	R/W
POR	x	x	x	x	x	x	x	x

"x": unknown

There are also two control registers for the SPI interface, SIMC0 and SIMC2. Note that the SIMC2 register also has the name SIMA which is used by the I²C function. The SIMC1 register is not used by the SPI function, only by the I²C function. Register SIMC0 is used to control the enable/disable function and to set the data transmission clock frequency. Register SIMC2 is used for other control functions such as LSB/MSB selection, write collision flag, etc.

• **SIMC0 Register**

Bit	7	6	5	4	3	2	1	0
Name	SIM2	SIM1	SIM0	—	SIMDEB1	SIMDEB0	SIMEN	SIMICF
R/W	R/W	R/W	R/W	—	R/W	R/W	R/W	R/W
POR	1	1	1	—	0	0	0	0

Bit 7~5 **SIM2~SIM0**: SIM Operating Mode Control

- 000: SPI master mode; SPI clock is $f_{SYS} / 4$
- 001: SPI master mode; SPI clock is $f_{SYS} / 16$
- 010: SPI master mode; SPI clock is $f_{SYS} / 64$
- 011: SPI master mode; SPI clock is f_{SUB}
- 100: SPI master mode; SPI clock is PTM0 CCRP match frequency/2
- 101: SPI slave mode
- 110: I²C slave mode
- 111: Non SIM function

These bits setup the overall operating mode of the SIM function. As well as selecting if the I²C or SPI function, they are used to control the SPI Master/Slave selection and the SPI Master clock frequency. The SPI clock is a function of the system clock but can also be chosen to be sourced from PTM0. If the SPI Slave Mode is selected then the clock will be supplied by an external Master device.

Bit 4 Unimplemented, read as "0"

Bit 3~2 **SIMDEB1~SIMDEB0**: I²C Debounce Time Selection

The SIMDEB1~SIMDEB0 bits are only used in the I²C mode and the detailed definition is described in the I²C section.

Bit 1 **SIMEN**: SIM Enable Control

- 0: Disable
- 1: Enable

The bit is the overall on/off control for the SIM interface. When the SIMEN bit is cleared to zero to disable the SIM interface, the SDI, SDO, SCK and SCS, or SDA and SCL lines will lose their SPI or I²C function and the SIM operating current will be reduced to a minimum value. When the bit is high the SIM interface is enabled. The SIM configuration option must have first enabled the SIM interface for this bit to be effective. If the SIM is configured to operate as an SPI interface via the SIM2~SIM0 bits, the contents of the SPI control registers will remain at the previous settings when the SIMEN bit changes from low to high and should therefore be first initialised by the application program. If the SIM is configured to operate as an I²C interface via the SIM2~SIM0 bits and the SIMEN bit changes from low to high, the contents of the I²C control bits such as HTX and TXAK will remain at the previous settings and should therefore be first initialised by the application program while the relevant I²C flags such as HCF, HAAS, HBB, SRW and RXAK will be set to their default states.

Bit 0 **SIMICF**: SIM SPI slave mode Incomplete Transfer Flag

- 0: SIM SPI slave mode incomplete condition not occurred
- 1: SIM SPI slave mode incomplete condition occurred

This bit is only available when the SIM is configured to operate in an SPI slave mode. If the SPI operates in the slave mode with the SIMEN and CSEN bits both being set to 1 but the SCS line is pulled high by the external master device before the SPI data transfer is completely finished, the SIMICF bit will be set to 1 together with the TRF bit. When this condition occurs, the corresponding interrupt will occur if the interrupt function is enabled. However, the TRF bit will not be set to 1 if the SIMICF bit is set to 1 by software application program.

• SIMC2 Register

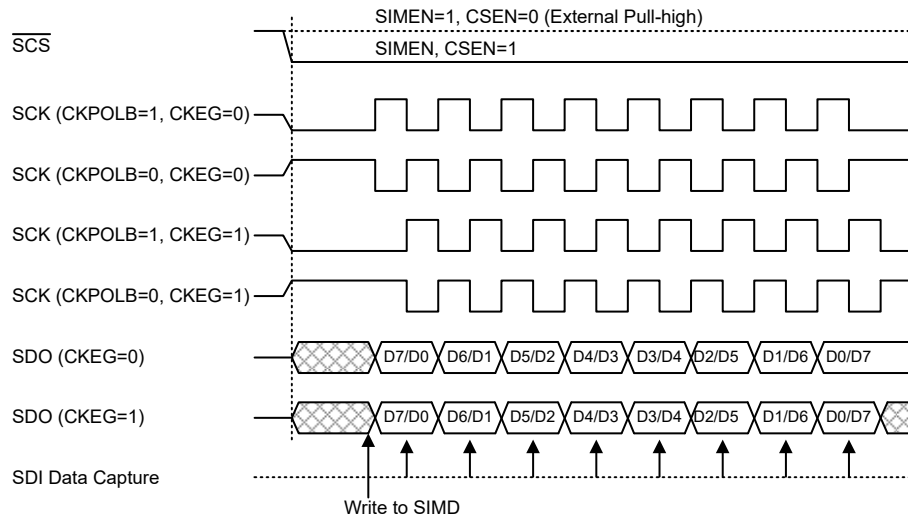
Bit	7	6	5	4	3	2	1	0
Name	D7	D6	CKPOLB	CKEG	MLS	CSEN	WCOL	TRF
R/W	R/W	R/W	R/W	R/W	R/W	R/W	R/W	R/W
POR	0	0	0	0	0	0	0	0

- Bit 7~6 Undefined bits
 These bits can be read or written by the application program.
- Bit 5 **CKPOLB:** SPI clock line base condition selection
 0: The SCK line will be high when the clock is inactive.
 1: The SCK line will be low when the clock is inactive.
 The CKPOLB bit determines the base condition of the clock line, if the bit is high, then the SCK line will be low when the clock is inactive. When the CKPOLB bit is low, then the SCK line will be high when the clock is inactive.
- Bit 4 **CKEG:** SPI SCK clock active edge type selection
 CKPOLB=0
 0: SCK is high base level and data capture at SCK rising edge
 1: SCK is high base level and data capture at SCK falling edge
 CKPOLB=1
 0: SCK is low base level and data capture at SCK falling edge
 1: SCK is low base level and data capture at SCK rising edge
 The CKEG and CKPOLB bits are used to setup the way that the clock signal outputs and inputs data on the SPI bus. These two bits must be configured before data transfer is executed otherwise an erroneous clock edge may be generated. The CKPOLB bit determines the base condition of the clock line, if the bit is high, then the SCK line will be low when the clock is inactive. When the CKPOLB bit is low, then the SCK line will be high when the clock is inactive. The CKEG bit determines active clock edge type which depends upon the condition of CKPOLB bit.
- Bit 3 **MLS:** SPI data shift order
 0: LSB first
 1: MSB first
 This is the data shift select bit and is used to select how the data is transferred, either MSB or LSB first. Setting the bit high will select MSB first and low for LSB first.
- Bit 2 **CSEN:** SPI \overline{SCS} pin control
 0: Disable
 1: Enable
 The CSEN bit is used as an enable/disable for the \overline{SCS} pin. If this bit is low, then the \overline{SCS} pin will be disabled and placed into I/O pin or other pin-shared functions. If the bit is high, the \overline{SCS} pin will be enabled and used as a select pin.
- Bit 1 **WCOL:** SPI write collision flag
 0: No collision
 1: Collision
 The WCOL flag is used to detect whether a data collision has occurred or not. If this bit is high, it means that data has been attempted to be written to the SIMD register during a data transfer operation. This writing operation will be ignored if data is being transferred. This bit can be cleared by the application program.
- Bit 0 **TRF:** SPI Transmit/Receive complete flag
 0: SPI data is being transferred
 1: SPI data transfer is completed
 The TRF bit is the Transmit/Receive Complete flag and is set to 1 automatically when an SPI data transfer is completed, but must be cleared to 0 by the application program. It can be used to generate an interrupt.

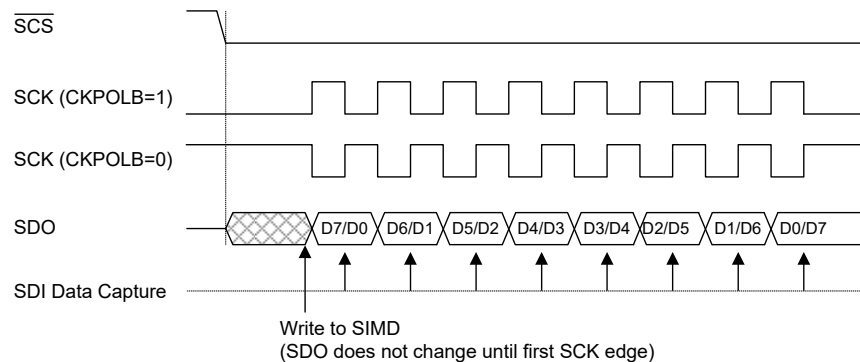
SPI Communication

After the SPI interface is enabled by setting the SIMEN bit high, then in the Master Mode, when data is written to the SIMD register, transmission/reception will begin simultaneously. When the data transfer is complete, the TRF flag will be set automatically, but must be cleared using the application program. In the Slave Mode, when the clock signal from the master has been received, any data in the SIMD register will be transmitted and any data on the SDI pin will be shifted into the SIMD register. The master should output a \overline{SCS} signal to enable the slave devices before a clock signal is provided. The slave data to be transferred should be well prepared at the appropriate moment relative to the \overline{SCS} signal depending upon the configurations of the CKPOLB bit and CKEG bit. The accompanying timing diagram shows the relationship between the slave data and \overline{SCS} signal for various configurations of the CKPOLB and CKEG bits.

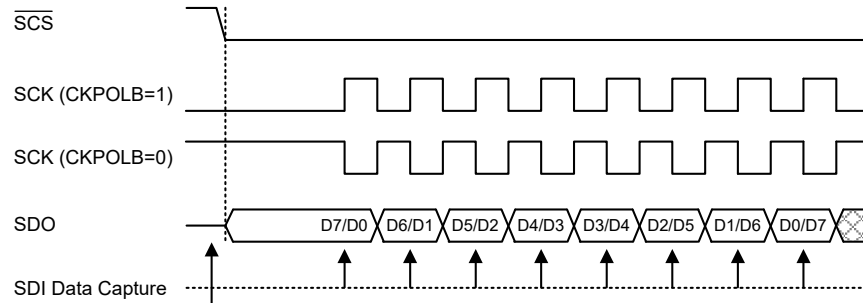
The SPI will continue to function even in the IDLE Mode.



SPI Master Mode Timing



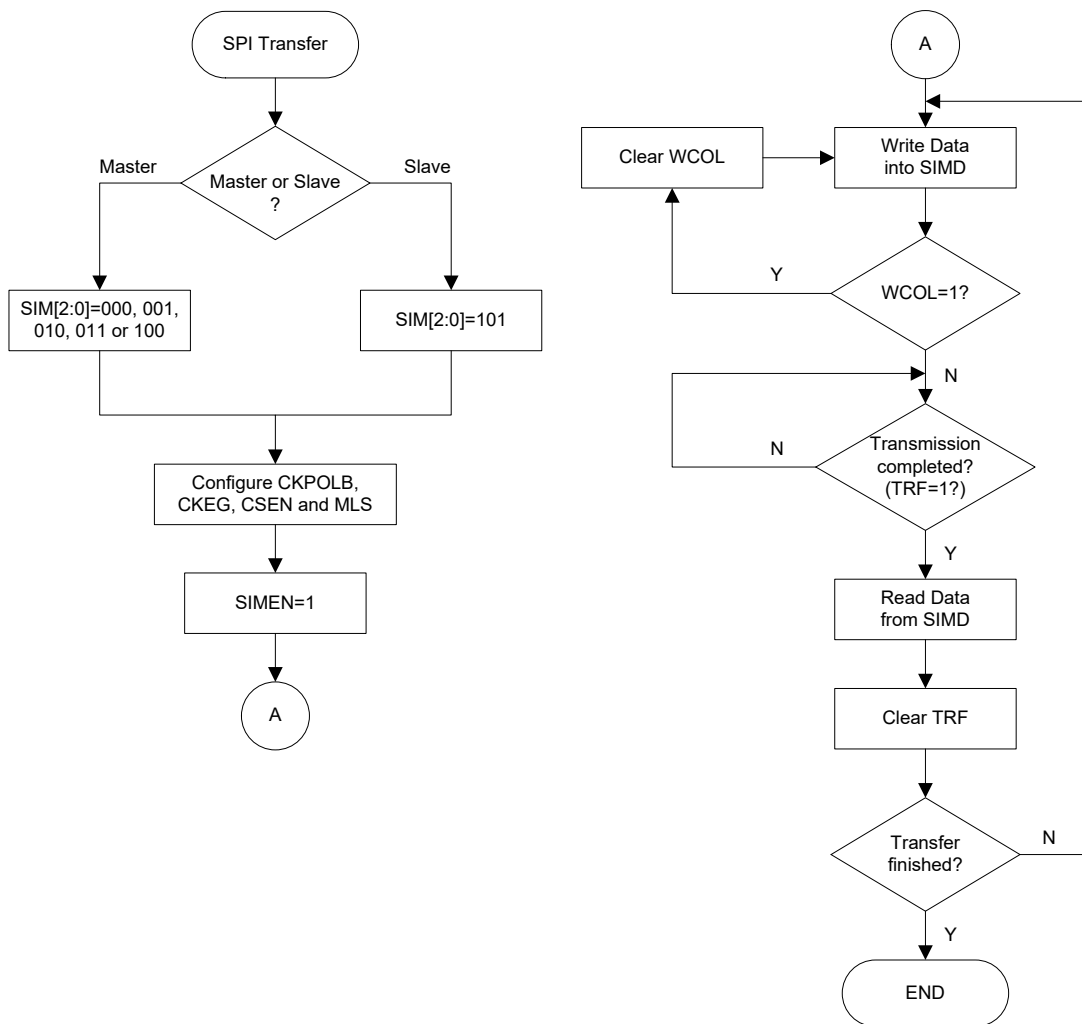
SPI Slave Mode Timing – CKEG=0



Write to SIMD
 (SDO changes as soon as writing occurs; SDO is floating if $\overline{SCS}=1$)

Note: For SPI slave mode, if SIMEN=1 and CSEN=0, SPI is always enabled and ignores the \overline{SCS} level.

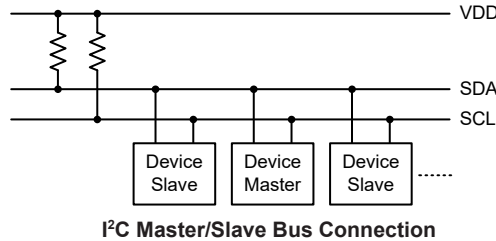
SPI Slave Mode Timing – CKEG=1



SPI Transfer Control Flow Chart

I²C Interface

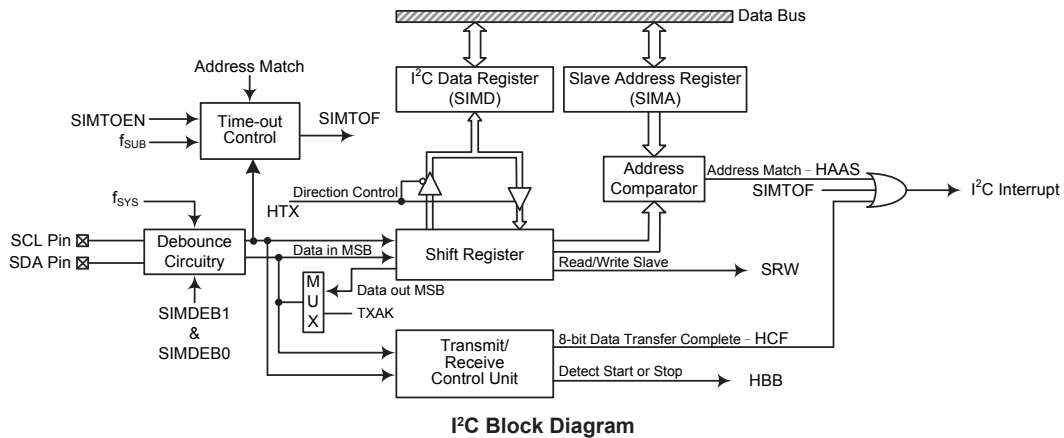
The I²C interface is used to communicate with external peripheral devices such as sensors, EEPROM memory etc. Originally developed by Philips, it is a two line low speed serial interface for synchronous serial data transfer. The advantage of only two lines for communication, relatively simple communication protocol and the ability to accommodate multiple devices on the same bus has made it an extremely popular interface type for many applications.

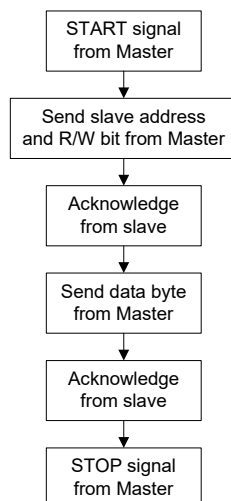


I²C Interface Operation

The I²C serial interface is a two line interface, a serial data line, SDA, and serial clock line, SCL. As many devices may be connected together on the same bus, their outputs are both open drain types. For this reason it is necessary that external pull-high resistors are connected to these outputs. Note that no chip select line exists, as each device on the I²C bus is identified by a unique address which will be transmitted and received on the I²C bus.

When two devices communicate with each other on the bidirectional I²C bus, one is known as the master device and one as the slave device. Both master and slave can transmit and receive data; however, it is the master device that has overall control of the bus. For these devices, which only operate in slave mode, there are two methods of transferring data on the I²C bus, the slave transmit mode and the slave receive mode.





The SIMDEB1 and SIMDEB0 bits determine the debounce time of the I²C interface. This uses the system clock to in effect add a debounce time to the external clock to reduce the possibility of glitches on the clock line causing erroneous operation. The debounce time, if selected, can be chosen to be either 2 or 4 system clocks. To achieve the required I²C data transfer speed, there exists a relationship between the system clock, f_{SYS} , and the I²C debounce time. For either the I²C Standard or Fast mode operation, users must take care of the selected system clock frequency and the configured debounce time to match the criterion shown in the following table.

I ² C Debounce Time Selection	I ² C Standard Mode (100kHz)	I ² C Fast Mode (400kHz)
No Debounce	$f_{\text{SYS}} > 2 \text{ MHz}$	$f_{\text{SYS}} > 5 \text{ MHz}$
2 system clock debounce	$f_{\text{SYS}} > 4 \text{ MHz}$	$f_{\text{SYS}} > 10 \text{ MHz}$
4 system clock debounce	$f_{\text{SYS}} > 8 \text{ MHz}$	$f_{\text{SYS}} > 20 \text{ MHz}$

I²C Minimum f_{SYS} Frequency

I²C Registers

There are three control registers associated with the I²C bus, SIMC0, SIMC1 and SIMA, and one data register, SIMD. The SIMD register, which is shown in the above SPI section, is used to store the data being transmitted and received on the I²C bus. Before the microcontroller writes data to the I²C bus, the actual data to be transmitted must be placed in the SIMD register. After the data is received from the I²C bus, the microcontroller can read it from the SIMD register. Any transmission or reception of data from the I²C bus must be made via the SIMD register.

Note that the SIMA register also has the name SIMC2 which is used by the SPI function. Bit SIMEN and bits SIM2~SIM0 in register SIMC0 are used by the I²C interface.

Register Name	Bit							
	7	6	5	4	3	2	1	0
SIMC0	SIM2	SIM1	SIM0	—	SIMDEB1	SIMDEB0	SIMEN	SIMICF
SIMC1	HCF	HAAS	HBB	HTX	TXAK	SRW	IAMWU	RXAK
SIMA	IICA6	IICA5	IICA4	IICA3	IICA2	IICA1	IICA0	—
SIMD	D7	D6	D5	D4	D3	D2	D1	D0
SIMTOC	SIMTOEN	SIMTOF	SIMTOS5	SIMTOS4	SIMTOS3	SIMTOS2	SIMTOS1	SIMTOS0

I²C Registers List

• **SIMD Register**

The SIMD register is used to store the data being transmitted and received. The same register is used by both the SPI and I²C functions. Before the device writes data to the I²C bus, the actual data to be transmitted must be placed in the SIMD register. After the data is received from the I²C bus, the device can read it from the SIMD register. Any transmission or reception of data from the I²C bus must be made via the SIMD register.

Bit	7	6	5	4	3	2	1	0
Name	D7	D6	D5	D4	D3	D2	D1	D0
R/W	R/W	R/W	R/W	R/W	R/W	R/W	R/W	R/W
POR	x	x	x	x	x	x	x	x

"x": unknown

• **SIMA Register**

The SIMA register is also used by the SPI interface but has the name SIMC2. The SIMA register is the location where the 7-bit slave address of the slave device is stored. Bits 7~1 of the SIMA register define the device slave address. Bit 0 is not implemented.

When a master device, which is connected to the I²C bus, sends out an address, which matches the slave address in the SIMA register, the slave device will be selected. Note that the SIMA register is the same register address as SIMC2 which is used by the SPI interface.

Bit	7	6	5	4	3	2	1	0
Name	IICA6	IICA5	IICA4	IICA3	IICA2	IICA1	IICA0	—
R/W	R/W	R/W	R/W	R/W	R/W	R/W	R/W	—
POR	x	x	x	x	x	x	x	—

"x": unknown

- Bit 7~1 **IICA6~IICA0**: I²C slave address
IICA6~IICA0 is the I²C slave address bit 6 ~ bit 0
- Bit 0 Unimplemented, read as "0".

SIM Control Registers

There are also two control registers for the I²C interface, SIMC0 and SIMC1. The register SIMC0 is used to control the enable/disable function and to set the data transmission clock frequency. The SIMC1 register contains the relevant flags which are used to indicate the I²C communication status.

• **SIMC0 Register**

Bit	7	6	5	4	3	2	1	0
Name	SIM2	SIM1	SIM0	—	SIMDEB1	SIMDEB0	SIMEN	SIMICF
R/W	R/W	R/W	R/W	—	R/W	R/W	R/W	R/W
POR	1	1	1	—	0	0	0	0

- Bit 7~5 **SIM2~SIM0**: SIM Operating Mode Control
 - 000: SPI master mode; SPI clock is $f_{SYS}/4$
 - 001: SPI master mode; SPI clock is $f_{SYS}/16$
 - 010: SPI master mode; SPI clock is $f_{SYS}/64$
 - 011: SPI master mode; SPI clock is f_{SUB}
 - 100: SPI master mode; SPI clock is PTM0 CCRP match frequency/2
 - 101: SPI slave mode
 - 110: I²C slave mode
 - 111: Non SIM function

These bits setup the overall operating mode of the SIM function. As well as selecting if the I²C or SPI function, they are used to control the SPI Master/Slave selection and the SPI Master clock frequency. The SPI clock is a function of the system clock but can also be chosen to be sourced from PTM0. If the SPI Slave Mode is selected then the clock will be supplied by an external Master device.

- Bit 4 Unimplemented, read as "0"
- Bit 3~2 **SIMDEB1~SIMDEB0**: I²C Debounce Time Selection
 00: No debounce
 01: 2 system clock debounce
 1x: 4 system clock debounce
 These bits are used to select the I²C debounce time when the SIM is configured as the I²C interface function by setting the SIM2~SIM0 bits to "110".
- Bit 1 **SIMEN**: SIM Enable Control
 0: Disable
 1: Enable
 The bit is the overall on/off control for the SIM interface. When the SIMEN bit is cleared to zero to disable the SIM interface, the SDI, SDO, SCK and SCS, or SDA and SCL lines will lose their SPI or I²C function and the SIM operating current will be reduced to a minimum value. When the bit is high the SIM interface is enabled. The SIM configuration option must have first enabled the SIM interface for this bit to be effective. If the SIM is configured to operate as an SPI interface via the SIM2~SIM0 bits, the contents of the SPI control registers will remain at the previous settings when the SIMEN bit changes from low to high and should therefore be first initialised by the application program. If the SIM is configured to operate as an I²C interface via the SIM2~SIM0 bits and the SIMEN bit changes from low to high, the contents of the I²C control bits such as HTX and TXAK will remain at the previous settings and should therefore be first initialised by the application program while the relevant I²C flags such as HCF, HAAS, HBB, SRW and RXAK will be set to their default states.
- Bit 0 **SIMICF**: SIM SPI Incomplete Flag
 The SIMICF bit is only used in the SPI mode and the detailed definition is described in the SPI section.

• **SIMC1 Register**

Bit	7	6	5	4	3	2	1	0
Name	HCF	HAAS	HBB	HTX	TXAK	SRW	IAMWU	RXAK
R/W	R	R	R	R/W	R/W	R/W	R/W	R
POR	1	0	0	0	0	0	0	1

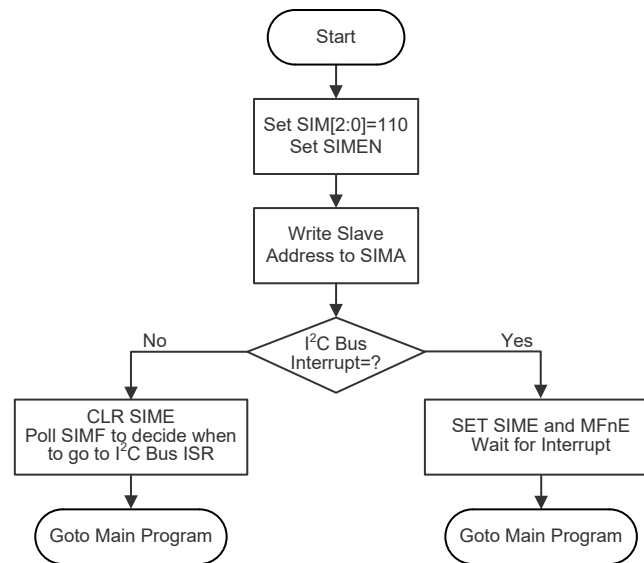
- Bit 7 **HCF**: I²C Bus data transfer completion flag
 0: Data is being transferred
 1: Completion of an 8-bit data transfer
 The HCF flag is the data transfer flag. This flag will be zero when data is being transferred. Upon completion of an 8-bit data transfer the flag will go high and an interrupt will be generated.
- Bit 6 **HAAS**: I²C Bus data transfer completion flag
 0: Not address match
 1: Address match
 The HAAS flag is the address match flag. This flag is used to determine if the slave device address is the same as the master transmit address. If the addresses match then this bit will be high, if there is no match then the flag will be low.
- Bit 5 **HBB**: I²C Bus busy flag
 0: I²C Bus is not busy
 1: I²C Bus is busy
 The HBB flag is the I²C busy flag. This flag will be "1" when the I²C bus is busy which will occur when a START signal is detected. The flag will be set to "0" when the bus is free which will occur when a STOP signal is detected.
- Bit 4 **HTX**: I²C slave device transmitter/receiver selection
 0: Slave device is the receiver
 1: Slave device is the transmitter

- Bit 3 **TXAK:** I²C bus transmit acknowledge flag
 0: Slave send acknowledge flag
 1: Slave does not send acknowledge flag
The TXAK bit is the transmit acknowledge flag. After the slave device receipt of 8-bits of data, this bit will be transmitted to the bus on the 9th clock from the slave device. The slave device must always set TXAK bit to "0" before further data is received.
- Bit 2 **SRW:** I²C slave read/write flag
 0: Slave device should be in receive mode
 1: Slave device should be in transmit mode
The SRW flag is the I²C Slave Read/Write flag. This flag determines whether the master device wishes to transmit or receive data from the I²C bus. When the transmitted address and slave address is match, that is when the HAAS flag is set high, the slave device will check the SRW flag to determine whether it should be in transmit mode or receive mode. If the SRW flag is high, the master is requesting to read data from the bus, so the slave device should be in transmit mode. When the SRW flag is zero, the master will write data to the bus, therefore the slave device should be in receive mode to read this data.
- Bit 1 **IAMWU:** I²C Address Match Wake-Up control
 0: Disable
 1: Enable – must be cleared by the application program after wake-up
This bit should be set to 1 to enable the I²C address match wake up from the SLEEP or IDLE Mode. If the IAMWU bit has been set before entering either the SLEEP or IDLE mode to enable the I²C address match wake up, then this bit must be cleared by the application program after wake-up to ensure correction device operation.
- Bit 0 **RXAK:** I²C bus receive acknowledge flag
 0: Slave receives acknowledge flag
 1: Slave does not receive acknowledge flag
The RXAK flag is the receiver acknowledge flag. When the RXAK flag is "0", it means that a acknowledge signal has been received at the 9th clock, after 8 bits of data have been transmitted. When the slave device in the transmit mode, the slave device checks the RXAK flag to determine if the master receiver wishes to receive the next byte. The slave transmitter will therefore continue sending out data until the RXAK flag is "1". When this occurs, the slave transmitter will release the SDA line to allow the master to send a STOP signal to release the I²C Bus.

I²C Bus Communication

Communication on the I²C bus requires four separate steps, a START signal, a slave device address transmission, a data transmission and finally a STOP signal. When a START signal is placed on the I²C bus, all devices on the bus will receive this signal and be notified of the imminent arrival of data on the bus. The first seven bits of the data will be the slave address with the first bit being the MSB. If the address of the slave device matches that of the transmitted address, the HAAS bit in the SIMC1 register will be set and an I²C interrupt will be generated. After entering the interrupt service routine, the slave device must first check the condition of the HAAS and SIMTOF bits to determine whether the interrupt source originates from an address match, 8-bit data transfer completion or I²C bus time-out occurrence. During a data transfer, note that after the 7-bit slave address has been transmitted, the following bit, which is the 8th bit, is the read/write bit whose value will be placed in the SRW bit. This bit will be checked by the slave device to determine whether to go into transmit or receive mode. Before any transfer of data to or from the I²C bus, the microcontroller must initialise the bus; the following are steps to achieve this:

- Step 1
Set the SIM2~SIM0 bits to "110" and SIMEN bit to "1" in the SIMC0 register to enable the I²C bus.
- Step 2
Write the slave address of the device to the I²C bus address register SIMA.
- Step 3
Set the SIME and SIM Multi-Function interrupt enable bit of the interrupt control register to enable the SIM interrupt and Multi-function interrupt.



I²C Bus Initialisation Flow Chart

I²C Bus Start Signal

The START signal can only be generated by the master device connected to the I²C bus and not by the slave device. This START signal will be detected by all devices connected to the I²C bus. When detected, this indicates that the I²C bus is busy and therefore the HBB bit will be set. A START condition occurs when a high to low transition on the SDA line takes place when the SCL line remains high.

I²C Slave Address

The transmission of a START signal by the master will be detected by all devices on the I²C bus. To determine which slave device the master wishes to communicate with, the address of the slave device will be sent out immediately following the START signal. All slave devices, after receiving this 7-bit address data, will compare it with their own 7-bit slave address. If the address sent out by the master matches the internal address of the microcontroller slave device, then an internal I²C bus interrupt signal will be generated. The next bit following the address, which is the 8th bit, defines the read/write status and will be saved to the SRW bit of the SIMC1 register. The slave device will then transmit an acknowledge bit, which is a low level, as the 9th bit. The slave device will also set the status flag HAAS when the addresses match.

As an I²C bus interrupt can come from three sources, when the program enters the interrupt subroutine, the HAAS and SIMTOF bits should be examined to see whether the interrupt source has come from a matching slave address, the completion of a data byte transfer or the I²C bus time-out occurrence. When a slave address is matched, the devices must be placed in either the transmit mode and then write data to the SIMD register, or in the receive mode where it must implement a dummy read from the SIMD register to release the SCL line.

I²C Bus Read/Write Signal

The SRW bit in the SIMC1 register defines whether the slave device wishes to read data from the I²C bus or write data to the I²C bus. The slave device should examine this bit to determine if it is to be a transmitter or a receiver. If the SRW flag is "1" then this indicates that the master device wishes to read data from the I²C bus, therefore the slave device must be setup to send data to the I²C bus as a transmitter. If the SRW flag is "0" then this indicates that the master wishes to send data to the I²C bus, therefore the slave device must be setup to read data from the I²C bus as a receiver.

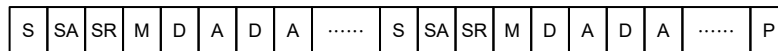
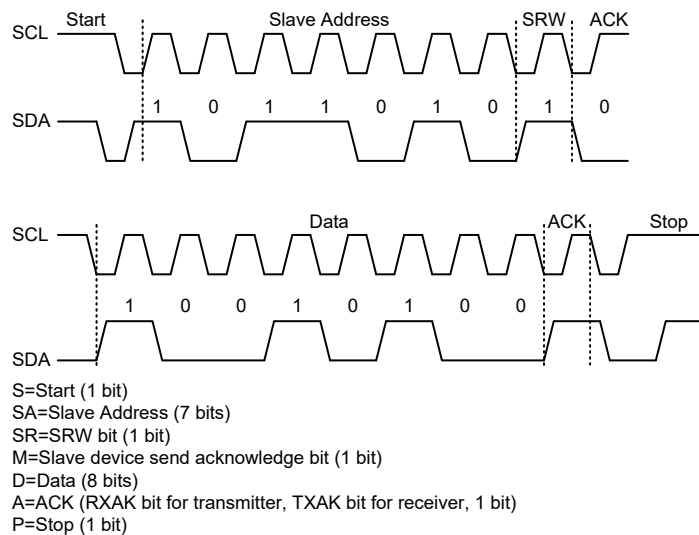
I²C Bus Slave Address Acknowledge Signal

After the master has transmitted a calling address, any slave device on the I²C bus, whose own internal address matches the calling address, must generate an acknowledge signal. The acknowledge signal will inform the master that a slave device has accepted its calling address. If no acknowledge signal is received by the master then a STOP signal must be transmitted by the master to end the communication. When the HAAS flag is high, the addresses have matched and the slave device must check the SRW flag to determine if it is to be a transmitter or a receiver. If the SRW flag is high, the slave device should be setup to be a transmitter so the HTX bit in the SIMC1 register should be set to "1". If the SRW flag is low, then the microcontroller slave device should be setup as a receiver and the HTX bit in the SIMC1 register should be set to "0".

I²C Bus Data and Acknowledge Signal

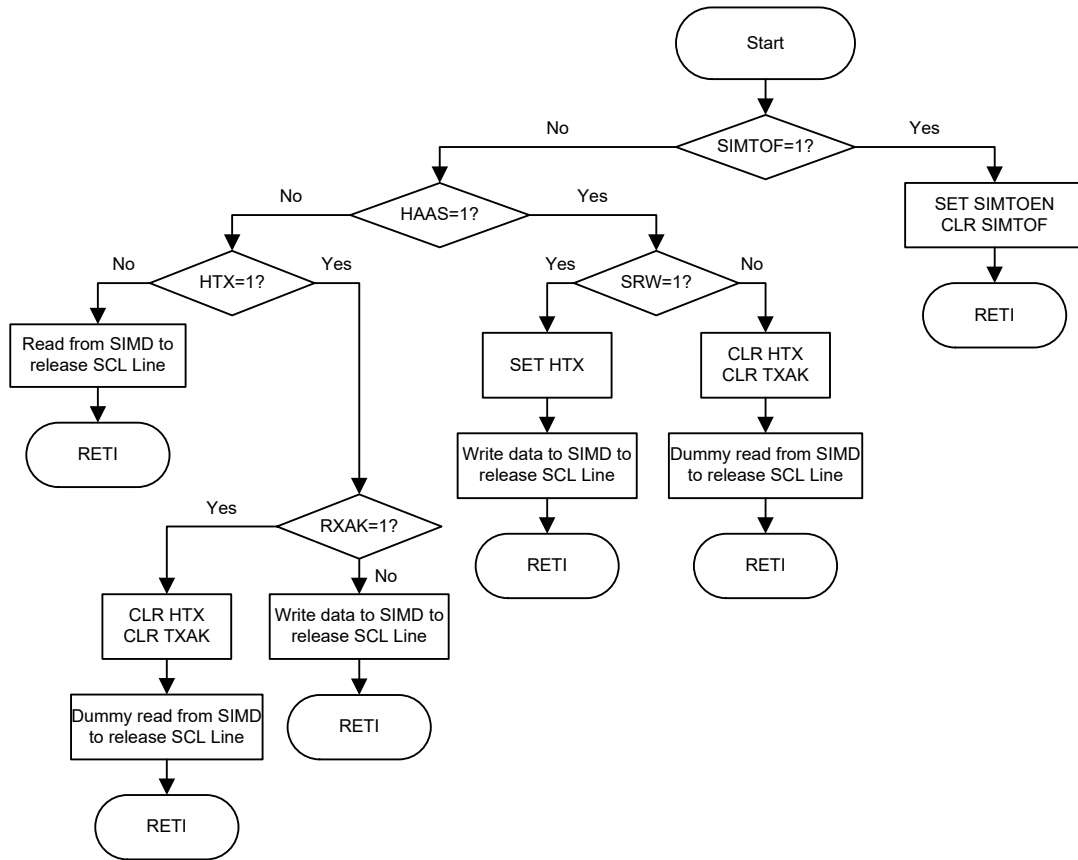
The transmitted data is 8-bits wide and is transmitted after the slave device has acknowledged receipt of its slave address. The order of serial bit transmission is the MSB first and the LSB last. After receipt of 8-bits of data, the receiver must transmit an acknowledge signal, level "0", before it can receive the next data byte. If the slave transmitter does not receive an acknowledge bit signal from the master receiver, then the slave transmitter will release the SDA line to allow the master to send a STOP signal to release the I²C Bus. The corresponding data will be stored in the SIMD register. If setup as a transmitter, the slave device must first write the data to be transmitted into the SIMD register. If setup as a receiver, the slave device must read the transmitted data from the SIMD register.

When the slave receiver receives the data byte, it must generate an acknowledge bit, known as TXAK, on the 9th clock. The slave device, which is setup as a transmitter will check the RXAK bit in the SIMC1 register to determine if it is to send another data byte, if not then it will release the SDA line and await the receipt of a STOP signal from the master.



Note: *When a slave address is matched, the device must be placed in either the transmit mode and then write data to the SIMD register, or in the receive mode where it must implement a dummy read from the SIMD register to release the SCL line.

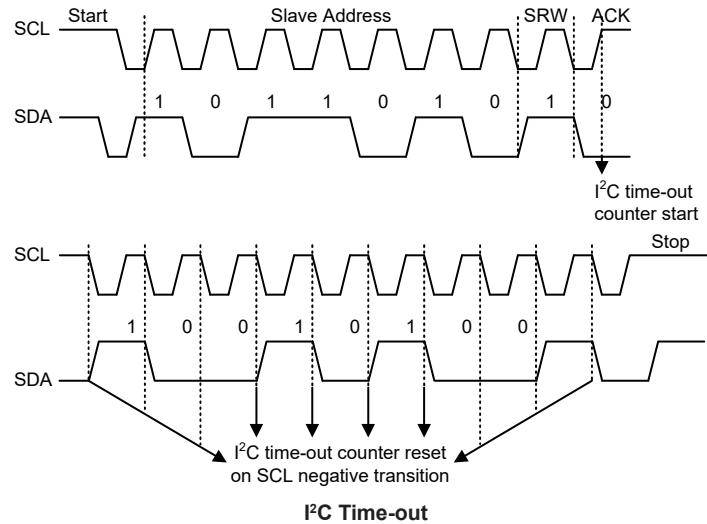
I²C Communication Timing Diagram



I²C Bus ISR Flow Chart

I²C Time-out Control

In order to reduce the I²C lockup problem due to reception of erroneous clock sources, a time-out function is provided. If the clock source connected to the I²C bus is not received for a while, then the I²C circuitry and registers will be reset after a certain time-out period. The time-out counter starts to count on an I²C bus "START" & "address match" condition, and is cleared by an SCL falling edge. Before the next SCL falling edge arrives, if the time elapsed is greater than the time-out period specified by the SIMTOC register, then a time-out condition will occur. The time-out function will stop when an I²C "STOP" condition occurs.



When an I²C time-out counter overflow occurs, the counter will stop and the SIMTOEN bit will be cleared to zero and the SIMTOF bit will be set high to indicate that a time-out condition has occurred. The time-out condition will also generate an interrupt which uses the I²C interrupt vector. When an I²C time-out occurs, the I²C internal circuitry will be reset and the registers will be reset into the following condition:

Register	After I ² C Time-out
SIMD, SIMA, SIMC0	No change
SIMC1	Reset to POR condition

I²C Register after Time-out

The SIMTOF flag can be cleared by the application program. There are 64 time-out period selections which can be selected using the SIMTOS bits in the SIMTOC register. The time-out duration is calculated by the formula: $((1-64) \times (32/f_{SUB}))$. This gives a time-out period which ranges from about 1ms to 64ms.

• SIMTOC Register

Bit	7	6	5	4	3	2	1	0
Name	SIMTOEN	SIMTOF	SIMTOS5	SIMTOS4	SIMTOS3	SIMTOS2	SIMTOS1	SIMTOS0
R/W	R/W	R/W	R/W	R/W	R/W	R/W	R/W	R/W
POR	0	0	0	0	0	0	0	0

Bit 7 **SIMTOEN**: SIM I²C Time-out control
 0: Disable
 1: Enable

Bit 6 **SIMTOF**: SIM I²C Time-out flag
 0: No time-out occurred
 1: Time-out occurred

Bit 5~0 **SIMTOS5~SIMTOS0**: SIM I²C Time-out period selection
 I²C Time-out clock source is $f_{SUB}/32$
 I²C Time-out period is equal to $(SIMTOS[5:0]+1) \times (32/f_{SUB})$

Serial Interface – SPIA

These devices contain an independent SPI function. It is important not to confuse this independent SPI function with the additional one contained within the combined SIM function, which is described in another section of this datasheet. This independent SPI function will carry the name SPIA to distinguish it from the other one in the SIM.

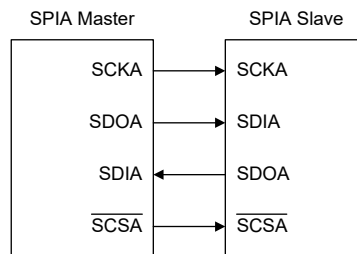
This SPIA interface is often used to communicate with external peripheral devices such as sensors, Flash or EEPROM memory devices, etc. Originally developed by Motorola, the four line SPI interface is a synchronous serial data interface that has a relatively simple communication protocol simplifying the programming requirements when communicating with external hardware devices.

The communication is full duplex and operates as a slave/master type, where the device can be either master or slave. Although the SPIA interface specification can control multiple slave devices from a single master, this device is provided only one \overline{SCSA} pin. If the master needs to control multiple slave devices from a single master, the master can use I/O pins to select the slave devices.

SPIA Interface Operation

The SPIA interface is a full duplex synchronous serial data link. It is a four line interface with pin names SDIA, SDOA, SCKA and \overline{SCSA} . Pins SDIA and SDOA are the Serial Data Input and Serial Data Output lines, SCKA is the Serial Clock line and \overline{SCSA} is the Slave Select line. As the SPIA interface pins are pin-shared with other functions, the SPIA interface pins must first be selected by configuring the corresponding selection bits in the pin-shared function selection registers. The SPIA interface function is disabled or enabled using the SPIAEN bit in the SPIAC0 register. Communication between devices connected to the SPIA interface is carried out in a slave/master mode with all data transfer initiations being implemented by the master. The master also controls the clock/signal. As the device only contains a single \overline{SCSA} pin only one slave device can be utilised.

The \overline{SCSA} pin is controlled by the application program, set the SACSEN bit to "1" to enable the \overline{SCSA} pin function and clear the SACSEN bit to "0" to place the \overline{SCSA} pin into an I/O function.

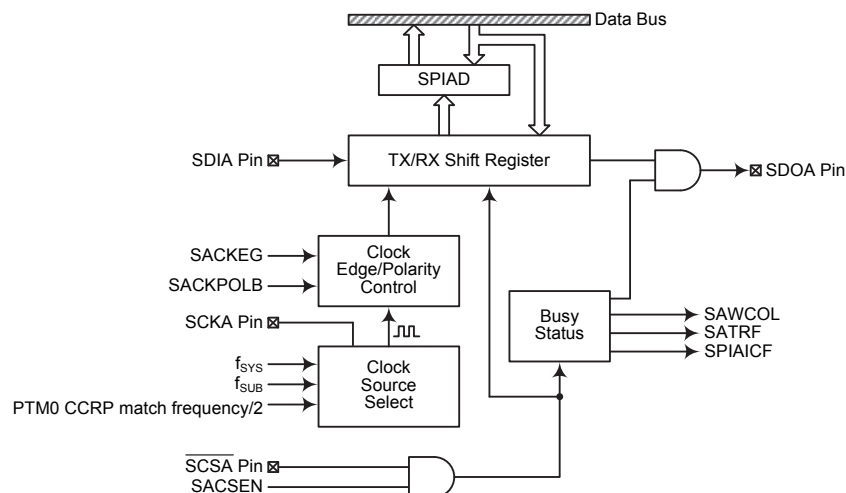


SPIA Master/Slave Connection

The SPIA Serial Interface function includes the following features:

- Full-duplex synchronous data transfer
- Both Master and Slave mode
- LSB first or MSB first data transmission modes
- Transmission complete flag
- Rising or falling active clock edge

The status of the SPIA interface pins is determined by a number of factors such as whether the device is in the master or slave mode and upon the condition of certain control bits such as SACSEN and SPIAEN.



SPIA Block Diagram

SPIA Registers

There are three internal registers which control the overall operation of the SPIA interface. These are the SPIAD data register and two registers SPIAC0 and SPIAC1.

Register Name	Bit							
	7	6	5	4	3	2	1	0
SPIAC0	SASPI2	SASPI1	SASPI0	—	—	—	SPIAEN	SPIAICF
SPIAC1	—	—	SACKPOLB	SACKEG	SAMLS	SACSEN	SAWCOL	SATRF
SPIAD	D7	D6	D5	D4	D3	D2	D1	D0

SPIA Registers List

SPIAD Register

The SPIAD register is used to store the data being transmitted and received. Before the device writes data to the SPIA bus, the actual data to be transmitted must be placed in the SPIAD register. After the data is received from the SPIA bus, the device can read it from the SPIAD register. Any transmission or reception of data from the SPIA bus must be made via the SPIAD register.

Bit	7	6	5	4	3	2	1	0
Name	D7	D6	D5	D4	D3	D2	D1	D0
R/W	R/W	R/W	R/W	R/W	R/W	R/W	R/W	R/W
POR	x	x	x	x	x	x	x	x

"x": unknown

There are also two control registers for the SPIA interface, SPIAC0 and SPIAC1. Register SPIAC0 is used to control the enable/disable function and to set the data transmission clock frequency. Register SPIAC1 is used for other control functions such as LSB/MSB selection, write collision flag, etc.

SPIAC0 Register

Bit	7	6	5	4	3	2	1	0
Name	SASPI2	SASPI1	SASPI0	—	—	—	SPIAEN	SPIAICF
R/W	R/W	R/W	R/W	—	—	—	R/W	R/W
POR	1	1	1	—	—	—	0	0

Bit 7~5 **SASPI2~SASPI0**: SPIA Master/Slave clock select
 000: SPIA master mode with clock $f_{SYS}/4$
 001: SPIA master mode with clock $f_{SYS}/16$
 010: SPIA master mode with clock $f_{SYS}/64$
 011: SPIA master mode with clock f_{SUB}
 100: SPIA master mode with clock PTM0 CCRP match frequency/2
 101: SPIA slave mode
 11x: SPIA disable

Bit 4~2 Unimplemented, read as "0"

Bit 1 **SPIAEN**: SPIA Enable Control
 0: Disable
 1: Enable

The bit is the overall on/off control for the SPIA interface. When the SPIAEN bit is cleared to zero to disable the SPIA interface, the SDIA, SDOA, SCKA and SCSA lines will lose the SPI function and the SPIA operating current will be reduced to a minimum value. When the bit is high the SPIA interface is enabled.

Bit 0 **SPIAICF**: SPIA Incomplete Flag
 0: SPIA incomplete condition not occurred
 1: SPIA incomplete condition occurred

This bit is only available when the SPIA is configured to operate in an SPIA slave mode. If the SPIA operates in the slave mode with the SPIAEN and SACSSEN bits both being set to 1 but the SCSA line is pulled high by the external master device before the SPIA data transfer is completely finished, the SPIAICF bit will be set to 1 together with the SATRF bit. When this condition occurs, the corresponding interrupt will occur if the interrupt function is enabled. However, the SATRF bit will not be set to 1 if the SPIAICF bit is set to 1 by software application program.

SPIAC1 Register

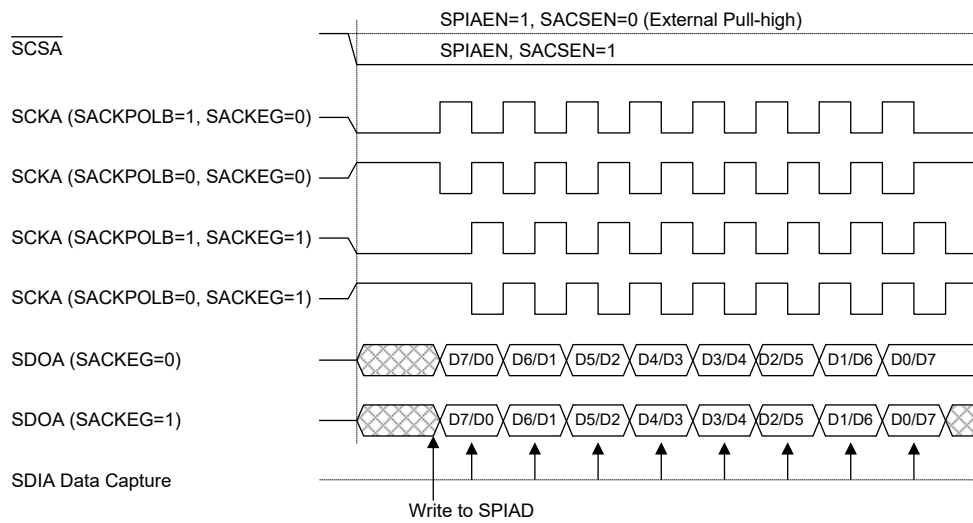
Bit	7	6	5	4	3	2	1	0
Name	—	—	SACKPOLB	SACKEG	SAMLS	SACSEN	SAWCOL	SATRF
R/W	—	—	R/W	R/W	R/W	R/W	R/W	R/W
POR	—	—	0	0	0	0	0	0

- Bit 7~6 Unimplemented, read as "0"
- Bit 5 **SACKPOLB**: SPIA clock line base condition selection
 0: The SCKA line will be high when the clock is inactive.
 1: The SCKA line will be low when the clock is inactive.
 The SACKPOLB bit determines the base condition of the clock line, if the bit is high, then the SCKA line will be low when the clock is inactive. When the SACKPOLB bit is low, then the SCKA line will be high when the clock is inactive.
- Bit 4 **SACKEG**: SPIA SCKA clock active edge type selection
 SACKPOLB=0
 0: SCKA is high base level and data capture at SCKA rising edge
 1: SCKA is high base level and data capture at SCKA falling edge
 SACKPOLB=1
 0: SCKA is low base level and data capture at SCKA falling edge
 1: SCKA is low base level and data capture at SCKA rising edge
 The SACKEG and SACKPOLB bits are used to setup the way that the clock signal outputs and inputs data on the SPIA bus. These two bits must be configured before data transfer is executed otherwise an erroneous clock edge may be generated. The SACKPOLB bit determines the base condition of the clock line, if the bit is high, then the SCKA line will be low when the clock is inactive. When the SACKPOLB bit is low, then the SCKA line will be high when the clock is inactive. The SACKEG bit determines active clock edge type which depends upon the condition of SACKPOLB bit.
- Bit 3 **SAMLS**: SPIA data shift order
 0: LSB first
 1: MSB first
 This is the data shift select bit and is used to select how the data is transferred, either MSB or LSB first. Setting the bit high will select MSB first and low for LSB first.
- Bit 2 **SACSEN**: SPIA $\overline{\text{SCSA}}$ pin control
 0: Disable
 1: Enable
 The SACSEN bit is used as an enable/disable for the $\overline{\text{SCSA}}$ pin. If this bit is low, then the $\overline{\text{SCSA}}$ pin function will be disabled and can be placed into I/O pin or other pin-shared functions. If the bit is high, the $\overline{\text{SCSA}}$ pin will be enabled and used as a select pin.
- Bit 1 **SAWCOL**: SPIA write collision flag
 0: No collision
 1: Collision
 The SAWCOL flag is used to detect whether a data collision has occurred or not. If this bit is high, it means that data has been attempted to be written to the SPIAD register during a data transfer operation. This writing operation will be ignored if data is being transferred. This bit can be cleared by the application program.
- Bit 0 **SATRF**: SPIA Transmit/Receive complete flag
 0: SPIA data is being transferred
 1: SPIA data transfer is completed
 The SATRF bit is the Transmit/Receive Complete flag and is set to 1 automatically when an SPIA data transfer is completed, but must be cleared to 0 by the application program. It can be used to generate an interrupt.

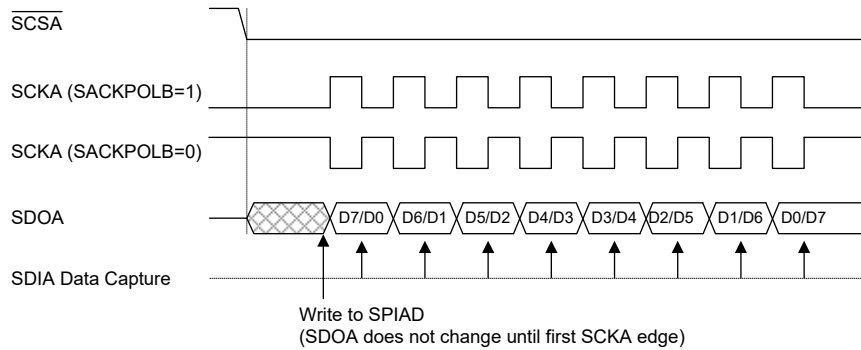
SPIA Communication

After the SPIA interface is enabled by setting the SPIAEN bit high, then in the Master Mode, when data is written to the SPIAD register, transmission/reception will begin simultaneously. When the data transfer is complete, the SATRF flag will be set automatically, but must be cleared using the application program. In the Slave Mode, when the clock signal from the master has been received, any data in the SPIAD register will be transmitted and any data on the SDIA pin will be shifted into the SPIAD registers.

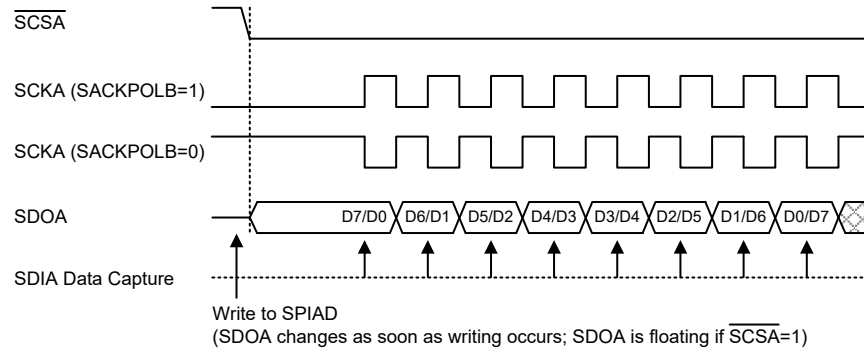
The master should output a \overline{SCSA} signal to enable the slave device before a clock signal is provided. The slave data to be transferred should be well prepared at the appropriate moment relative to the \overline{SCSA} signal depending upon the configurations of the SACKPOLB bit and SACKEG bit. The accompanying timing diagram shows the relationship between the slave data and \overline{SCSA} signal for various configurations of the SACKPOLB and SACKEG bits. The SPIA will continue to function if the SPIA clock source is active.



SPIA Master Mode Timing

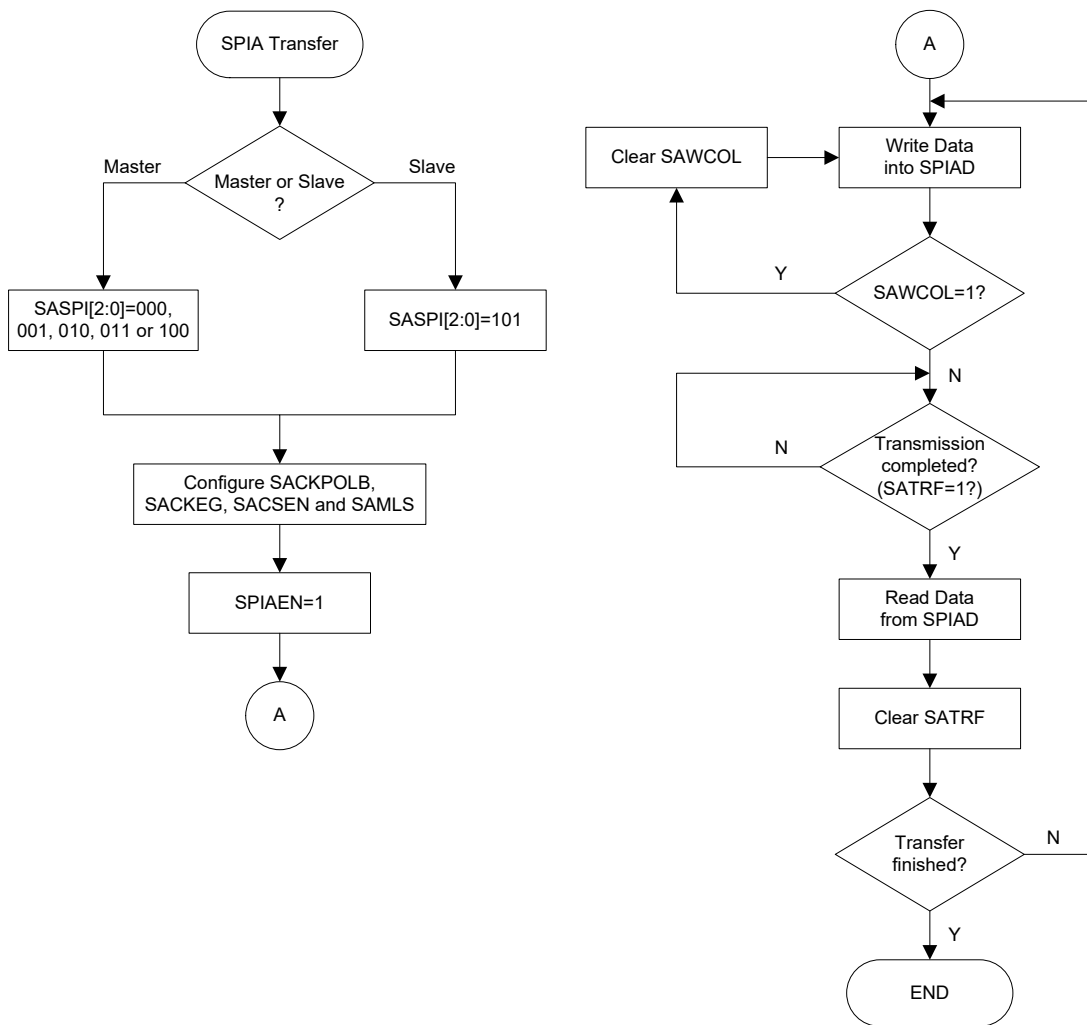


SPIA Slave Mode Timing – SACKEG=0



Note: For SPIA slave mode, if SPIAEN=1 and SACSSEN=0, SPIA is always enabled and ignores the \overline{SCSA} level.

SPIA Slave Mode Timing – SACKEG=1



SPIA Transfer Control Flow Chart

SPIA Bus Enable/Disable

To enable the SPIA bus, set SACSEN=1 and \overline{SCSA} =0, then wait for data to be written into the SPIAD (TXRX buffer) register. For the Master Mode, after data has been written to the SPIAD (TXRX buffer) register, then transmission or reception will start automatically. When all the data has been transferred the SATRF bit should be set. For the Slave Mode, when clock pulses are received on SCKA, data in the TXRX buffer will be shifted out or data on SDIA will be shifted in.

When the SPIA bus is disabled, the SCKA, SDIA, SDOA and \overline{SCSA} pins can become I/O pins or other pin-shared functions using the corresponding pin-shared function selection bits.

SPIA Operation

All communication is carried out using the 4-line interface for either Master or Slave Mode.

The SACSEN bit in the SPIAC1 register controls the overall function of the SPIA interface. Setting this bit high will enable the SPIA interface by allowing the \overline{SCSA} line to be active, which can then be used to control the SPIA interface. If the SACSEN bit is low, the SPIA interface will be disabled and the \overline{SCSA} line will be an I/O pin or other pin-shared functions and can therefore not be used for control of the SPIA interface. If the SACSEN bit and the SPIAEN bit in the SPIAC0 register are set high, this will place the SDIA line in a floating condition and the SDOA line high. If in Master Mode the SCKA line will be either high or low depending upon the clock polarity selection bit SACKPOLB in the SPIAC1 register. If in Slave Mode the SCKA line will be in a floating condition. If SPIAEN is low, then the bus will be disabled and \overline{SCSA} , SDIA, SDOA and SCKA pins will all become I/O pins or other pin-shared functions using the corresponding pin-shared function selection bits. In the Master Mode the Master will always generate the clock signal. The clock and data transmission will be initiated after data has been written into the SPIAD register. In the Slave Mode, the clock signal will be received from an external master device for both data transmission and reception. The following sequences show the order to be followed for data transfer in both Master and Slave Mode.

Master Mode:

- Step 1
Select the clock source and Master mode using the SASPI2~SASPI0 bits in the SPIAC0 control register.
- Step 2
Setup the SACSEN bit and setup the SAMLS bit to choose if the data is MSB or LSB shifted first, this must be same as the Slave device.
- Step 3
Setup the SPIAEN bit in the SPIAC0 control register to enable the SPIA interface.
- Step 4
For write operations: write the data to the SPIAD register, which will actually place the data into the TXRX buffer. Then use the SCKA and \overline{SCSA} lines to output the data. After this go to step 5.
For read operations: the data transferred in on the SDIA line will be stored in the TXRX buffer until all the data has been received at which point it will be latched into the SPIAD register.
- Step 5
Check the SAWCOL bit if set high then a collision error has occurred so return to step 4. If equal to zero then go to the following step.
- Step 6
Check the SATRF bit or wait for a SPIA serial bus interrupt.

- Step 7
Read data from the SPIAD register.
- Step 8
Clear SATRF.
- Step 9
Go to step 4.

Slave Mode:

- Step 1
Select the SPI Slave mode using the SASPI2~SASPI0 bits in the SPIAC0 control register
- Step 2
Setup the SACSEN bit and setup the SAMLS bit to choose if the data is MSB or LSB shifted first, this setting must be the same with the Master device.
- Step 3
Setup the SPIAEN bit in the SPIAC0 control register to enable the SPIA interface.
- Step 4
For write operations: write the data to the SPIAD register, which will actually place the data into the TXRX buffer. Then wait for the master clock SCKA and \overline{SCSA} signal. After this, go to step 5.
For read operations: the data transferred in on the SDIA line will be stored in the TXRX buffer until all the data has been received at which point it will be latched into the SPIAD register.
- Step 5
Check the SAWCOL bit if set high then a collision error has occurred so return to step 4. If equal to zero then go to the following step.
- Step 6
Check the SATRF bit or wait for a SPIA serial bus interrupt.
- Step 7
Read data from the SPIAD register.
- Step 8
Clear SATRF.
- Step 9
Go to step 4.

Error Detection

The SAWCOL bit in the SPIAC1 register is provided to indicate errors during data transfer. The bit is set by the SPIA serial Interface but must be cleared by the application program. This bit indicates a data collision has occurred which happens if a write to the SPIAD register takes place during a data transfer operation and will prevent the write operation from continuing.

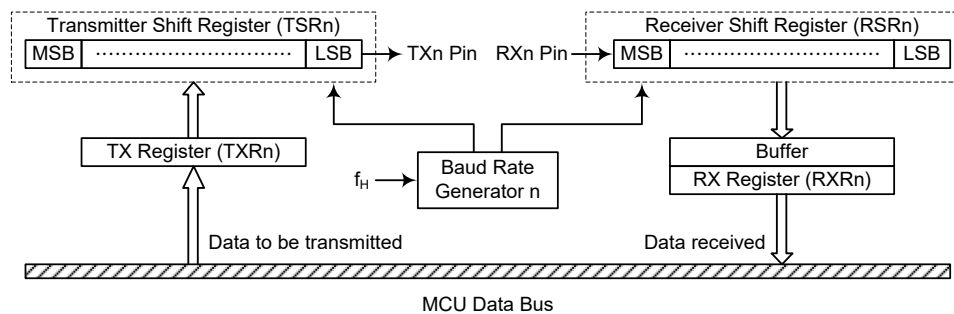
UART Interface

These devices contain up to three integrated full-duplex asynchronous serial communications UART interfaces that enable communication with external devices that contain a serial interface. The UART function has many features and can transmit and receive data serially by transferring a frame of data with eight or nine data bits per transmission as well as being able to detect errors when the data is overwritten or incorrectly framed. The UART function possesses its own internal interrupt which can be used to indicate when a reception occurs or when a transmission terminates.

Decive	UART Interface
HT67F2350/HT67F2360	2
HT67F2370/HT67F2390	3

Each integrated UART function contains the following features:

- Full-duplex, asynchronous communication
- 8 or 9 bits character length
- Even, odd or no parity options
- One or two stop bits
- Baud rate generator with 8-bit prescaler
- Parity, framing, noise and overrun error detection
- Support for interrupt on address detect (last character bit=1)
- Separately enabled transmitter and receiver
- 2-byte Deep FIFO Receive Data Buffer
- RX pin wake-up function
- Transmit and receive interrupts
- Interrupts can be initialized by the following conditions:
 - ♦ Transmitter Empty
 - ♦ Transmitter Idle
 - ♦ Receiver Full
 - ♦ Receiver Overrun
 - ♦ Address Mode Detect



UART Data Transfer Block Diagram

UART External Pin

To communicate with an external serial interface, the internal UARTn has two external pins known as TXn and RXn. The TXn and RXn pins are the UARTn transmitter and receiver pins respectively. The TXn and RXn pin function should first be selected by the corresponding pin-shared function selection register before the UARTn function is used. Along with the UARTENn bit, the TXENn and RXENn bits, if set, will automatically setup the TXn and RXn pins to their respective TXn output and RXn input conditions and disable any pull-high resistor option which may exist on the TXn and RXn pins. When the TXn or RXn pin function is disabled by clearing the UARTENn, TXENn or RXENn bit, the TXn or RXn pin will be set to a floating state. At this time whether the internal pull-high resistor is connected to the TXn or RXn pin or not is determined by the corresponding I/O pull-high function control bit.

UART Data Transfer Scheme

The above diagram shows the overall data transfer structure arrangement for the UARTn interface. The actual data to be transmitted from the MCU is first transferred to the TXRn register by the application program. The data will then be transferred to the Transmit Shift Register from where it will be shifted out, LSB first, onto the TXn pin at a rate controlled by the Baud Rate Generator n. Only the TXRn register is mapped onto the MCU Data Memory, the Transmit Shift Register is not mapped and is therefore inaccessible to the application program.

Data to be received by the UARTn is accepted on the external RXn pin, from where it is shifted in, LSB first, to the Receiver Shift Register at a rate controlled by the Baud Rate Generator. When the shift register is full, the data will then be transferred from the shift register to the internal RXRn register, where it is buffered and can be manipulated by the application program. Only the TXRn register is mapped onto the MCU Data Memory, the Receiver Shift Register is not mapped and is therefore inaccessible to the application program.

It should be noted that the actual register for data transmission and reception, although referred to in the text, and in application programs, as separate TXRn and RXRn registers, only exists as a single shared register in the Data Memory. This shared register known as the TXR_RXRn register is used for both data transmission and data reception.

UART Status and Control Registers

There are five control registers associated with the UARTn function. The UnSR, UnCR1 and UnCR2 registers control the overall function of the UARTn, while the BRGn register controls the Baud rate. The actual data to be transmitted and received on the serial interface is managed through the TXR_RXRn data registers.

TXR_RXRn Register

The TXR_RXRn register is the data register which is used to store the data to be transmitted on the TXn pin or being received from the RXn pin.

Bit	7	6	5	4	3	2	1	0
Name	D7	D6	D5	D4	D3	D2	D1	D0
R/W	R/W	R/W	R/W	R/W	R/W	R/W	R/W	R/W
POR	x	x	x	x	x	x	x	x

"x": unknown

Bit 7~0 **D7~D0**: UARTn Transmit/Receive Data bits

UnSR Register

The UnSR register is the status register for the UARTn, which can be read by the program to determine the present status of the UARTn. All flags within the UnSR register are read only and further explanations are given below.

Bit	7	6	5	4	3	2	1	0
Name	PERRn	NFn	FERRn	OERRn	RIDLEn	RXIFn	TIDLEn	TXIFn
R/W	R	R	R	R	R	R	R	R
POR	0	0	0	0	1	0	1	1

- Bit 7** **PERRn:** Parity error flag
0: No parity error is detected
1: Parity error is detected
- The PERRn flag is the parity error flag. When this read only flag is "0", it indicates a parity error has not been detected. When the flag is "1", it indicates that the parity of the received word is incorrect. This error flag is applicable only if Parity mode (odd or even) is selected. The flag can also be cleared by a software sequence which involves a read to the status register UnSR followed by an access to the TXR_RXRn data register.
- Bit 6** **NFn:** Noise flag
0: No noise is detected
1: Noise is detected
- The NFn flag is the noise flag. When this read only flag is "0", it indicates no noise condition. When the flag is "1", it indicates that the UARTn has detected noise on the receiver input. The NFn flag is set during the same cycle as the RXIFn flag but will not be set in the case of an overrun. The NFn flag can be cleared by a software sequence which will involve a read to the status register UnSR followed by an access to the TXR_RXRn data register.
- Bit 5** **FERRn:** Framing error flag
0: No framing error is detected
1: Framing error is detected
- The FERRn flag is the framing error flag. When this read only flag is "0", it indicates that there is no framing error. When the flag is "1", it indicates that a framing error has been detected for the current character. The flag can also be cleared by a software sequence which will involve a read to the status register UnSR followed by an access to the TXR_RXRn data register.
- Bit 4** **OERRn:** Overrun error flag
0: No overrun error is detected
1: Overrun error is detected
- The OERRn flag is the overrun error flag which indicates when the receiver buffer has overflowed. When this read only flag is "0", it indicates that there is no overrun error. When the flag is "1", it indicates that an overrun error occurs which will inhibit further transfers to the TXR_RXRn receive data register. The flag is cleared by a software sequence, which is a read to the status register UnSR followed by an access to the TXR_RXRn data register.
- Bit 3** **RIDLEn:** Receiver status
0: data reception is in progress (data being received)
1: no data reception is in progress (receiver is idle)
- The RIDLEn flag is the receiver status flag. When this read only flag is "0", it indicates that the receiver is between the initial detection of the start bit and the completion of the stop bit. When the flag is "1", it indicates that the receiver is idle. Between the completion of the stop bit and the detection of the next start bit, the RIDLEn bit is "1" indicating that the UARTn receiver is idle and the RXn pin stays in logic high condition.

- Bit 2** **RXIFn:** Receive TXR_RXRn data register status
 0: TXR_RXRn data register is empty
 1: TXR_RXRn data register has available data
 The RXIFn flag is the receive data register status flag. When this read only flag is "0", it indicates that the TXR_RXRn read data register is empty. When the flag is "1", it indicates that the TXR_RXRn read data register contains new data. When the contents of the shift register are transferred to the TXR_RXRn register, an interrupt is generated if RIEn=1 in the UnCR2 register. If one or more errors are detected in the received word, the appropriate receive-related flags NF_n, FERR_n, and/or PERR_n are set within the same clock cycle. The RXIFn flag will eventually be cleared when the UnSR register is read with RXIFn set, followed by a read from the TXR_RXRn register, and if the TXR_RXRn register has no more new data available.
- Bit 1** **TIDLEn:** Transmission status
 0: data transmission is in progress (data being transmitted)
 1: no data transmission is in progress (transmitter is idle)
 The TIDLEn flag is known as the transmission complete flag. When this read only flag is "0", it indicates that a transmission is in progress. This flag will be set to "1" when the TXIFn flag is "1" and when there is no transmit data or break character being transmitted. When TIDLEn is equal to 1, the TX_n pin becomes idle with the pin state in logic high condition. The TIDLEn flag is cleared by reading the UnSR register with TIDLEn set and then writing to the TXR_RXRn register. The flag is not generated when a data character or a break is queued and ready to be sent.
- Bit 0** **TXIFn:** Transmit TXR data register status
 0: character is not transferred to the transmit shift register
 1: character has transferred to the transmit shift register (TXR_RXRn data register is empty)
 The TXIFn flag is the transmit data register empty flag. When this read only flag is "0", it indicates that the character is not transferred to the transmitter shift register. When the flag is "1", it indicates that the transmitter shift register has received a character from the TXR_RXRn data register. The TXIFn flag is cleared by reading the UART_n status register (UnSR) with TXIFn set and then writing to the TXR_RXRn data register. Note that when the TXEN_n bit is set, the TXIFn flag bit will also be set since the transmit data register is not yet full.

UnCR1 Register

The UnCR1 register together with the UnCR2 register are the UART_n control registers that are used to set the various options for the UART_n function such as overall on/off control, parity control, data transfer bit length, etc. Further explanation on each of the bits is given below.

Bit	7	6	5	4	3	2	1	0
Name	UARTEN _n	BNON _n	PREN _n	PRT _n	STOPS _n	TXBRK _n	RX8 _n	TX8 _n
R/W	R/W	R/W	R/W	R/W	R/W	R/W	R	W
POR	0	0	0	0	0	0	x	0

"x": unknown

- Bit 7** **UARTENn:** UART_n function enable control
 0: Disable UART_n; TX_n and RX_n pins are in a high impedance state.
 1: Enable UART_n; TX_n and RX_n pins function as UART_n pins
 The UARTEN_n bit is the UART_n enable bit. When this bit is equal to "0", the UART_n will be disabled and the RX_n pin as well as the TX_n pin will be set in a high impedance state. When the bit is equal to "1", the UART_n will be enabled and the TX_n and RX_n pins will function as defined by the TXEN_n and RXEN_n enable control bits. When the UART_n is disabled, it will empty the buffer so any character remaining in the buffer will be discarded. In addition, the value of the baud rate counter will be reset. If the UART_n is disabled, all error and status flags will be reset. Also the TXEN_n, RXEN_n, TXBRK_n, RXIFn, OERR_n, FERR_n, PERR_n and NF_n bits will be

cleared, while the TIDLEn, TXIFn and RIDLEn bits will be set. Other control bits in UnCR1, UnCR2 and BRGn registers will remain unaffected. If the UARTn is active and the UARTEFn bit is cleared, all pending transmissions and receptions will be terminated and the module will be reset as defined above. When the UARTn is re-enabled, it will restart in the same configuration.

- Bit 6 **BNO_n**: Number of data transfer bits selection
 0: 8-bit data transfer
 1: 9-bit data transfer
 This bit is used to select the data length format, which can have a choice of either 8-bit or 9-bit format. When this bit is equal to "1", a 9-bit data length format will be selected. If the bit is equal to "0", then an 8-bit data length format will be selected. If 9-bit data length format is selected, then bits RX8n and TX8n will be used to store the 9th bit of the received and transmitted data respectively.
- Bit 5 **PRE_n**: Parity function enable control
 0: Parity function is disabled
 1: Parity function is enabled
 This bit is the parity function enable bit. When this bit is equal to 1, the parity function will be enabled. If the bit is equal to 0, then the parity function will be disabled.
- Bit 4 **PRT_n**: Parity type selection bit
 0: Even parity for parity generator
 1: Odd parity for parity generator
 This bit is the parity type selection bit. When this bit is equal to 1, odd parity type will be selected. If the bit is equal to 0, then even parity type will be selected.
- Bit 3 **STOPS_n**: Number of stop bits selection
 0: One stop bit format is used
 1: Two stop bits format is used
 This bit determines if one or two stop bits are to be used. When this bit is equal to "1", two stop bits format are used. If the bit is equal to "0", then only one stop bit format is used.
- Bit 2 **TXBRK_n**: Transmit break character
 0: No break character is transmitted
 1: Break characters transmit
 The TXBRK_n bit is the Transmit Break Character bit. When this bit is equal to "0", there are no break characters and the TXn pin operates normally. When the bit is equal to "1", there are transmit break characters and the transmitter will send logic zeros. When this bit is equal to "1", after the buffered data has been transmitted, the transmitter output is held low for a minimum of a 13-bit length and until the TXBRK_n bit is reset.
- Bit 1 **RX8_n**: Receive data bit 8 for 9-bit data transfer format (read only)
 This bit is only used if 9-bit data transfers are used, in which case this bit location will store the 9th bit of the received data known as RX8n. The BNO_n bit is used to determine whether data transfers are in 8-bit or 9-bit format.
- Bit 0 **TX8_n**: Transmit data bit 8 for 9-bit data transfer format (write only)
 This bit is only used if 9-bit data transfers are used, in which case this bit location will store the 9th bit of the transmitted data known as TX8n. The BNO_n bit is used to determine whether data transfers are in 8-bit or 9-bit format.

UnCR2 Register

The UnCR2 register is the second of the UARTn control registers and serves several purposes. One of its main functions is to control the basic enable/disable operation of the UARTn Transmitter and Receiver as well as enabling the various UARTn interrupt sources. The register also serves to control the baud rate speed, receiver wake-up function enable and the address detect function enable. Further explanation on each of the bits is given below.

Bit	7	6	5	4	3	2	1	0
Name	TXENn	RXENn	BRGHn	ADDENn	WAKEn	RIEn	TIIEEn	TEIEEn
R/W	R/W	R/W	R/W	R/W	R/W	R/W	R/W	R/W
POR	0	0	0	0	0	0	0	0

Bit 7 **TXENn**: UARTn Transmitter enable control
 0: UARTn Transmitter is disabled
 1: UARTn Transmitter is enabled

The TXENn bit is the Transmitter Enable Bit. When this bit is equal to "0", the transmitter will be disabled with any pending data transmissions being aborted. In addition the buffers will be reset. If the TXENn bit is equal to "1" and the UARTENn bit is also equal to 1, the transmitter will be enabled and the TXn pin will be controlled by the UARTn. Clearing the TXENn bit during a transmission will cause the data transmission to be aborted and will reset the transmitter.

Bit 6 **RXENn**: UARTn Receiver enable control
 0: UARTn Receiver is disabled
 1: UARTn Receiver is enabled

The RXENn bit is the Receiver Enable Bit. When this bit is equal to "0", the receiver will be disabled with any pending data receptions being aborted. In addition the receiver buffers will be reset. If the RXENn bit is equal to "1" and the UARTENn bit is also equal to 1, the receiver will be enabled and the RXn pin will be controlled by the UARTn. Clearing the RXENn bit during a reception will cause the data reception to be aborted and will reset the receiver.

Bit 5 **BRGHn**: Baud Rate speed selection
 0: Low speed baud rate
 1: High speed baud rate

The bit named BRGHn selects the high or low speed mode of the Baud Rate Generator n. This bit, together with the value placed in the baud rate register, BRGn, controls the baud rate of the UARTn. If the bit is equal to 0, the low speed mode is selected.

Bit 4 **ADDENn**: Address detect function enable control
 0: Address detection function is disabled
 1: Address detection function is enabled

The bit named ADDENn is the address detection function enable control bit. When this bit is equal to 1, the address detection function is enabled. When it occurs, if the 8th bit, which corresponds to RX7n if BNO=0, or the 9th bit, which corresponds to RX8n if BNO=1, has a value of "1", then the received word will be identified as an address, rather than data. If the corresponding interrupt is enabled, an interrupt request will be generated each time the received word has the address bit set, which is the 8th or 9th bit depending on the value of the BNO bit. If the address bit known as the 8th or 9th bit of the received word is "0" with the address detection function being enabled, an interrupt will not be generated and the received data will be discarded.

- Bit 3 **WAKEn:** RXn pin falling edge wake-up function enable control
 0: RXn pin wake-up UARTn function is disabled
 1: RXn pin wake-up UARTn function is enabled
 The bit is used to control the wake-up UARTn function when a falling edge on the RXn pin occurs. Note that this bit is only available when the UARTn clock, f_{Hn} , is switched off. There will be no RXn pin wake-up UARTn function if the UARTn clock, f_{Hn} , exists. If the WAKEn bit is equal to 1 and the UARTn clock, f_{Hn} , is switched off, a UARTn wake-up request will be initiated when a falling edge on the RXn pin occurs. When this request happens and the corresponding interrupt is enabled, an RXn pin wake-up UARTn interrupt will be generated to inform the MCU to wake up the UARTn function by switching on the UARTn clock, f_{Hn} , via the application programs. Otherwise, the UARTn function can not resume even if there is a falling edge on the RXn pin when the WAKEn bit is cleared to 0.
- Bit 2 **RIEn:** Receiver interrupt enable control
 0: Receiver related interrupt is disabled
 1: Receiver related interrupt is enabled
 The bit enables or disables the receiver interrupt. If this bit is equal to 1 and when the receiver overrun flag OERRn or received data available flag RXIFn is set, the UARTn interrupt request flag will be set. If this bit is equal to 0, the UARTn interrupt request flag will not be influenced by the condition of the OERRn or RXIFn flags.
- Bit 1 **TIEn:** Transmitter Idle interrupt enable control
 0: Transmitter idle interrupt is disabled
 1: Transmitter idle interrupt is enabled
 The bit enables or disables the transmitter idle interrupt. If this bit is equal to 1 and when the transmitter idle flag TIDLEn is set, due to a transmitter idle condition, the UARTn interrupt request flag will be set. If this bit is equal to 0, the UARTn interrupt request flag will not be influenced by the condition of the TIDLEn flag.
- Bit 0 **TEIEn:** Transmitter Empty interrupt enable control
 0: Transmitter empty interrupt is disabled
 1: Transmitter empty interrupt is enabled
 The bit enables or disables the transmitter empty interrupt. If this bit is equal to 1 and when the transmitter empty flag TXIFn is set, due to a transmitter empty condition, the UARTn interrupt request flag will be set. If this bit is equal to 0, the UARTn interrupt request flag will not be influenced by the condition of the TXIFn flag.

Baud Rate Generator

To setup the speed of the serial data communication, the UARTn function contains its own dedicated baud rate generator. The baud rate is controlled by its own internal free running 8-bit timer, the period of which is determined by two factors. The first of these is the value placed in the BRGn register and the second is the value of the BRGHn bit within the UnCR2 control register. The BRGHn bit decides, if the baud rate generator is to be used in a high speed mode or low speed mode, which in turn determines the formula that is used to calculate the baud rate. The value in the BRGn register, N, which is used in the following baud rate calculation formula determines the division factor. Note that N is the decimal value placed in the BRGn register and has a range of between 0 and 255.

UnCR2 BRGHn Bit	0	1
Baud Rate (BR)	$f_H / [64 (N+1)]$	$f_H / [16 (N+1)]$

By programming the BRGHn bit which allows selection of the related formula and programming the required value in the BRGn register, the required baud rate can be setup. Note that because the actual baud rate is determined using a discrete value, N, placed in the BRGn register, there will be an error associated between the actual and requested value. The following example shows how the BRGn register value N and the error value can be calculated.

BRGn Register

Bit	7	6	5	4	3	2	1	0
Name	D7	D6	D5	D4	D3	D2	D1	D0
R/W	R/W	R/W	R/W	R/W	R/W	R/W	R/W	R/W
POR	x	x	x	x	x	x	x	x

"x": unknown

Bit 7~0 **D7~D0**: Baud Rate values

By programming the BRGHn bit in the UnCR2 register which allows selection of the related formula described above and programming the required value in the BRGn register, the required baud rate can be setup.

Calculating the Baud Rate and Error Values

For a clock frequency of 4MHz, and with BRGHn set to 0 determine the BRGn register value N, the actual baud rate and the error value for a desired baud rate of 4800.

From the above table the desired baud rate $BR = f_{H} / [64 (N+1)]$

Re-arranging this equation gives $N = [f_{H} / (BR \times 64)] - 1$

Giving a value for $N = [4000000 / (4800 \times 64)] - 1 = 12.0208$

To obtain the closest value, a decimal value of 12 should be placed into the BRGn register. This gives an actual or calculated baud rate value of $BR = 4000000 / [64 \times (12+1)] = 4808$

Therefore the error is equal to $(4808 - 4800) / 4800 = 0.16\%$

UART Setup and Control

For data transfer, the UARTn function utilizes a non-return-to-zero, more commonly known as NRZ, format. This is composed of one start bit, eight or nine data bits and one or two stop bits. Parity is supported by the UARTn hardware and can be setup to be even, odd or no parity. For the most common data format, 8 data bits along with no parity and one stop bit, denoted as 8, N, 1, is used as the default setting, which is the setting at power-on. The number of data bits and stop bits, along with the parity, are setup by programming the corresponding BNO_n, PRT_n, PREN_n and STOPS_n bits in the UnCR1 register. The baud rate used to transmit and receive data is setup using the internal 8-bit baud rate generator, while the data is transmitted and received LSB first. Although the transmitter and receiver of the UARTn are functionally independent, they both use the same data format and baud rate. In all cases stop bits will be used for data transmission.

Enabling/Disabling the UART Interface

The basic on/off function of the internal UARTn function is controlled using the UARTEN_n bit in the UnCR1 register. If the UARTEN_n, TXEN_n and RXEN_n bits are set, then these two UARTn pins will act as normal TX_n output pin and RX_n input pin respectively. If no data is being transmitted on the TX_n pin, then it will default to a logic high value.

Clearing the UARTEN_n bit will disable the TX_n and RX_n pins and then these two pins can be used as an I/O or other pin-shared functional pins by properly configurations. When the UARTn function is disabled, the buffer will be reset to an empty condition, at the same time discarding any remaining residual data. Disabling the UARTn will also reset the enable control, the error and status flags with bits TXEN_n, RXEN_n, TXBRK_n, RXIF_n, OERR_n, FERR_n, PERR_n and NF_n being cleared while bits TIDLE_n, TXIF_n and RIDLE_n will be set. The remaining control bits in the UnCR1, UnCR2 and BRGn registers will remain unaffected. If the UARTEN_n bit in the UnCR1 register is cleared while the UARTn is active, then all pending transmissions and receptions will be immediately suspended and the UARTn will be reset to a condition as defined above. If the UARTn is then subsequently re-enabled, it will restart again in the same configuration.

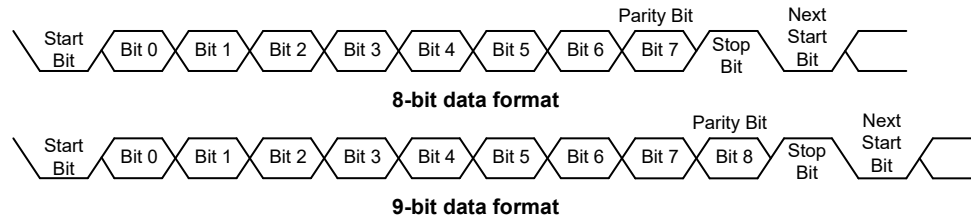
Data, Parity and Stop Bit Selection

The format of the data to be transferred is composed of various factors such as data bit length, parity on/off, parity type, address bits and the number of stop bits. These factors are determined by the setup of various bits within the UnCR1 register. The BNO_n bit controls the number of data bits which can be set to either 8 or 9. The PR_{Tn} bit controls the choice if odd or even parity. The PRE_{Nn} bit controls the parity on/off function. The STOP_{Sn} bit decides whether one or two stop bits are to be used. The following table shows various formats for data transmission. The address bit, which is the MSB of the data byte, identifies the frame as an address character or data if the address detect function is enabled. The number of stop bits, which can be either one or two, is independent of the data length.

Start Bit	Data Bits	Address Bits	Parity Bit	Stop Bit
Example of 8-bit Data Formats				
1	8	0	0	1
1	7	0	1	1
1	7	1	0	1
Example of 9-bit Data Formats				
1	9	0	0	1
1	8	0	1	1
1	8	1	0	1

Transmitter Receiver Data Format

The following diagram shows the transmit and receive waveforms for both 8-bit and 9-bit data formats.



UART Transmitter

Data word lengths of either 8 or 9 bits can be selected by programming the BNO_n bit in the UnCR1 register. When BNO_n bit is set, the word length will be set to 9 bits. In this case the 9th bit, which is the MSB, needs to be stored in the TX8_n bit in the UnCR1 register. At the transmitter core lies the Transmitter Shift Register, more commonly known as the TSR_n, whose data is obtained from the transmit data register, which is known as the TXR_RXR_n register. The data to be transmitted is loaded into this TXR_RXR_n register by the application program. The TSR_n register is not written to with new data until the stop bit from the previous transmission has been sent out. As soon as this stop bit has been transmitted, the TSR_n can then be loaded with new data from the TXR_RXR_n register, if it is available. It should be noted that the TSR_n register, unlike many other registers, is not directly mapped into the Data Memory area and as such is not available to the application program for direct read/write operations. An actual transmission of data will normally be enabled when the TXEN_n bit is set, but the data will not be transmitted until the TXR_RXR_n register has been loaded with data and the baud rate generator has defined a shift clock source. However, the transmission can also be initiated by first loading data into the TXR_RXR_n register, after which the TXEN_n bit can be set. When a transmission of data begins, the TSR_n is normally empty, in which case a transfer to the TXR_RXR_n register will result in an immediate transfer to the TSR_n. If during a transmission the TXEN_n bit is cleared, the transmission will immediately cease and the transmitter will be reset. The TX_n output pin can then return to the I/O or other pin-shared function by properly configurations.

Transmitting Data

When the UARTn is transmitting data, the data is shifted on the TXn pin from the shift register, with the least significant bit LSB first. In the transmit mode, the TXR_RXRn register forms a buffer between the internal bus and the transmitter shift register. It should be noted that if 9-bit data format has been selected, then the MSB will be taken from the TX8n bit in the UnCR1 register. The steps to initiate a data transfer can be summarized as follows:

- Make the correct selection of the BNO_n, PRT_n, PREN_n and STOPS_n bits to define the required word length, parity type and number of stop bits.
- Setup the BRG_n register to select the desired baud rate.
- Set the TXEN_n bit to ensure that the UARTn transmitter is enabled and the TXn pin is used as a UARTn transmitter pin.
- Access the UnSR register and write the data that is to be transmitted into the TXR_RXRn register. Note that this step will clear the TXIFn bit.

This sequence of events can now be repeated to send additional data. It should be noted that when TXIFn=0, data will be inhibited from being written to the TXR_RXRn register. Clearing the TXIFn flag is always achieved using the following software sequence:

1. A UnSR register access
2. A TXR_RXRn register write execution

The read-only TXIFn flag is set by the UARTn hardware and if set indicates that the TXR_RXRn register is empty and that other data can now be written into the TXR_RXRn register without overwriting the previous data. If the TEIEn bit is set, then the TXIFn flag will generate an interrupt. During a data transmission, a write instruction to the TXR_RXRn register will place the data into the TXR_RXRn register, which will be copied to the shift register at the end of the present transmission. When there is no data transmission in progress, a write instruction to the TXR_RXRn register will place the data directly into the shift register, resulting in the commencement of data transmission, and the TXIFn bit being immediately set. When a frame transmission is complete, which happens after stop bits are sent or after the break frame, the TIDLEn bit will be set. To clear the TIDLEn bit the following software sequence is used:

1. A UnSR register access
2. A TXR_RXRn register write execution

Note that both the TXIFn and TIDLEn bits are cleared by the same software sequence.

Transmitting Break

If the TXBRKn bit is set, then the break characters will be sent on the next transmission. Break character transmission consists of a start bit, followed by 13xN "0" bits, where N=1, 2, etc. If a break character is to be transmitted, then the TXBRKn bit must be first set by the application program and then cleared to generate the stop bits. Transmitting a break character will not generate a transmit interrupt. Note that a break condition length is at least 13 bits long. If the TXBRKn bit is continually kept at a logic high level, then the transmitter circuitry will transmit continuous break characters. After the application program has cleared the TXBRKn bit, the transmitter will finish transmitting the last break character and subsequently send out one or two stop bits. The automatic logic high at the end of the last break character will ensure that the start bit of the next frame is recognized.

UART Receiver

The UARTn is capable of receiving word lengths of either 8 or 9 bits can be selected by programming the BNO_n bit in the UnCR1 register. When BNO_n bit is set, the word length will be set to 9 bits. In this case the 9th bit, which is the MSB, will be stored in the RX8_n bit in the UnCR1 register. At the receiver core lies the Receiver Shift Register more commonly known as the RSR_n. The data which is received on the RX_n external input pin is sent to the data recovery block. The data recovery block operating speed is 16 times that of the baud rate, while the main receive serial shifter operates at the baud rate. After the RX_n pin is sampled for the stop bit, the received data in RSR_n is transferred to the receive data register, if the register is empty. The data which is received on the external RX_n input pin is sampled three times by a majority detect circuit to determine the logic level that has been placed onto the RX_n pin. It should be noted that the RSR_n register, unlike many other registers, is not directly mapped into the Data Memory area and as such is not available to the application program for direct read/write operations.

Receiving Data

When the UARTn receiver is receiving data, the data is serially shifted in on the external RX_n input pin to the shift register, with the least significant bit LSB first. The TXR_RXR_n register is a two byte deep FIFO data buffer, where two bytes can be held in the FIFO while the 3rd byte can continue to be received. Note that the application program must ensure that the data is read from TXR_RXR_n before the 3rd byte has been completely shifted in, otherwise the 3rd byte will be discarded and an overrun error OERR_n will be subsequently indicated. The steps to initiate a data transfer can be summarized as follows:

- Make the correct selection of the BNO_n, PRT_n, PREN_n and STOPS_n bits to define the required word length, parity type and number of stop bits.
- Setup the BRG_n register to select the desired baud rate.
- Set the RXEN_n bit to ensure that the UARTn receiver is enabled and the RX_n pin is used as a UARTn receiver pin.

At this point the receiver will be enabled which will begin to look for a start bit.

When a character is received, the following sequence of events will occur:

- The RXIF_n bit in the UnSR register will be set when the TXR_RXR_n register has data available. There will be at most one more character that can be read.
- When the contents of the shift register have been transferred to the TXR_RXR_n register and if the RIEN bit is set, then an interrupt will be generated.
- If during reception, a frame error, noise error, parity error or an overrun error has been detected, then the error flags can be set.

The RXIF_n bit can be cleared using the following software sequence:

1. A UnSR register access
2. A TXR_RXR_n register read execution

Receiving Break

Any break character received by the UARTn will be managed as a framing error. The receiver will count and expect a certain number of bit times as specified by the values programmed into the BNO_n and STOPS_n bits. If the break is much longer than 13 bit times, the reception will be considered as complete after the number of bit times specified by BNO_n and STOPS_n. The RXIF_n bit is set, FERR_n is set, zeros are loaded into the receive data register, interrupts are generated if appropriate and the RIDLE_n bit is set. A break is regarded as a character that contains only zeros with the FERR_n flag being set. If a long break signal has been detected, the receiver will regard it as a data frame including a start bit, data bits and the invalid stop bit and the FERR_n flag will be set. The receiver must wait for a valid stop bit before looking for the next start bit. The receiver will not make the assumption that the break condition on the line is the next start bit. The break character will be loaded into the buffer and no further data will be received until stop bits are received. It should be noted that the RIDLE_n read only flag will go high when the stop bits have not yet been received. The reception of a break character on the UARTn registers will result in the following:

- The framing error flag, FERR_n, will be set.
- The receive data register, TXR_RXR_n, will be cleared.
- The OERR_n, NF_n, PERR_n, RIDLE_n or RXIF_n flags will possibly be set.

Idle Status

When the receiver is reading data, which means it will be in between the detection of a start bit and the reading of a stop bit, the receiver status flag in the UnSR register, otherwise known as the RIDLE_n flag, will have a zero value. In between the reception of a stop bit and the detection of the next start bit, the RIDLE_n flag will have a high value, which indicates the receiver is in an idle condition.

Receiver Interrupt

The read only receive interrupt flag, RXIF_n, in the UnSR register is set by an edge generated by the receiver. An interrupt is generated if RIEN=1, when a word is transferred from the Receive Shift Register, RSR_n, to the Receive Data Register, TXR_RXR_n. An overrun error can also generate an interrupt if RIEN=1.

Managing Receiver Errors

Several types of reception errors can occur within the UARTn module, the following section describes the various types and how they are managed by the UARTn.

Overrun Error – OERR_n

The TXR_RXR_n register is composed of a two byte deep FIFO data buffer, where two bytes can be held in the FIFO register, while a 3th byte can continue to be received. Before the 3th byte has been entirely shifted in, the data should be read from the TXR_RXR_n register. If this is not done, the overrun error flag OERR_n will be consequently indicated.

In the event of an overrun error occurring, the following will happen:

- The OERR_n flag in the UnSR register will be set.
- The TXR_RXR_n contents will not be lost.
- The shift register will be overwritten.
- An interrupt will be generated if the RIEN bit is set.

The OERR_n flag can be cleared by an access to the UnSR register followed by a read to the TXR_RXR_n register.

Noise Error – NFn

Over-sampling is used for data recovery to identify valid incoming data and noise. If noise is detected within a frame, the following will occur:

- The read only noise flag, NFn, in the UnSR register will be set on the rising edge of the RXIFn bit.
- Data will be transferred from the shift register to the TXR_RXRn register.
- No interrupt will be generated. However this bit rises at the same time as the RXIFn bit which itself generates an interrupt.

Note that the NFn flag is reset by an UnSR register read operation followed by a TXR_RXRn register read operation.

Framing Error – FERRn

The read only framing error flag, FERRn, in the UnSR register, is set if a zero is detected instead of stop bits. If two stop bits are selected, both stop bits must be high. Otherwise the FERRn flag will be set. The FERRn flag and the received data will be recorded in the UnSR and TXR_RXRn registers respectively and the FERRn flag will be cleared in any reset.

Parity Error – PERRn

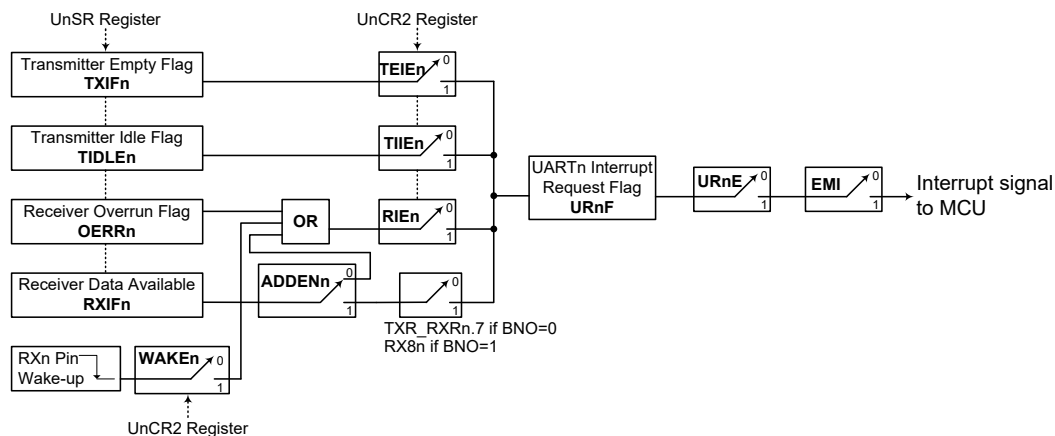
The read only parity error flag, PERRn, in the UnSR register, is set if the parity of the received word is incorrect. This error flag is only applicable if the parity function is enabled, PRENn=1, and if the parity type, odd or even, is selected. The read only PERRn flag and the received data will be recorded in the UnSR and TXR_RXRn registers respectively and the flag will be cleared on any reset. It should be noted that the FERRn and PERRn flags in the UnSR register should first be read by the application programs before reading the data word.

UART Interrupt Structure

Several individual UARTn conditions can generate a UARTn interrupt. When these conditions exist, a low pulse will be generated to get the attention of the microcontroller. These conditions are a transmitter data register empty, transmitter idle, receiver data available, receiver overrun, address detect and an RXn pin wake-up. When any of these conditions are created, if its corresponding interrupt control is enabled and the stack is not full, the program will jump to its corresponding interrupt vector where it can be serviced before returning to the main program. Four of these conditions have the corresponding UnSR register flags which will generate a UARTn interrupt if its associated interrupt enable control bit in the UnCR2 register is set. The two transmitter interrupt conditions have their own corresponding enable control bits, while the two receiver interrupt conditions have a shared enable control bit. These enable bits can be used to mask out individual UARTn interrupt sources.

The address detect condition, which is also a UARTn interrupt source, does not have an associated flag, but will generate a UARTn interrupt when an address detect condition occurs if its function is enabled by setting the ADDENn bit in the UnCR2 register. An RXn pin wake-up, which is also a UARTn interrupt source, does not have an associated flag, but will generate a UARTn interrupt if the UARTn clock source, f_{H} , is switched off and the WAKEn and RIEn bits in the UnCR2 register are set when a falling edge on the RXn pin occurs. Note that in the event of an RXn wake-up interrupt occurring, there will be a certain period of delay, commonly known as the System Start-up Time, for the oscillator to restart and stabilize before the system resumes normal operation.

Note that the UnSR register flags are read only and cannot be cleared or set by the application program, neither will they be cleared when the program jumps to the corresponding interrupt servicing routine, as is the case for some of the other interrupts. The flags will be cleared automatically when certain actions are taken by the UARTn, the details of which are given in the UARTn register section. The overall UARTn interrupt can be disabled or enabled by the related interrupt enable control bits in the interrupt control registers of the microcontroller to decide whether the interrupt requested by the UARTn module is masked out or allowed.



UARTn Interrupt Structure

Address Detect Mode

Setting the Address Detect function enable control bit, ADDENn, in the UnCR2 register, enables this special function. If this bit is set to 1, then an additional qualifier will be placed on the generation of a Receiver Data Available interrupt, which is requested by the RXIFn flag. If the ADDENn bit is equal to 1, then when the data is available, an interrupt will only be generated, if the highest received bit has a high value. Note that the related interrupt enable control bit and the EMI bit of the microcontroller must also be enabled for correct interrupt generation. The highest address bit is the 9th bit if the bit BNO=1 or the 8th bit if the bit BNO=0. If the highest bit is high, then the received word will be defined as an address rather than data. A Data Available interrupt will be generated every time the last bit of the received word is set. If the ADDENn bit is equal to 0, then a Receive Data Available interrupt will be generated each time the RXIFn flag is set, irrespective of the data last bit status. The address detection and parity functions are mutually exclusive functions. Therefore, if the address detect function is enabled, then to ensure correct operation, the parity function should be disabled by resetting the parity function enable bit PRENn to zero.

ADDENn	Bit 9 if BNO=1 Bit 8 if BNO=0	UARTn Interrupt Generated
0	0	√
	1	√
1	0	x
	1	√

ADDENn Bit Function

UART Power Down and Wake-up

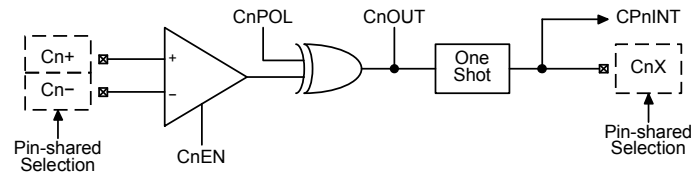
When the UARTn clock, f_{Hn} , is switched off, the UARTn will cease to function. If the MCU switches off the UARTn clock f_{Hn} and enters the power down mode while a transmission is still in progress, then the transmission will be paused until the UARTn clock source derived from the microcontroller is activated. In a similar way, if the MCU switches off the UART clock f_H and enters the power down mode by executing the "HALT" instruction while receiving data, then the reception of data will likewise be paused. When the MCU enters the power down mode, note that the UnSR, UnCR1, UnCR2, transmit and receive registers, as well as the BRGn register will not be affected. It is recommended to make sure first that the UARTn data transmission or reception has been finished before the microcontroller enters the power down mode.

The UARTn function contains a receiver RXn pin wake-up function, which is enabled or disabled by the WAKEn bit in the UnCR2 register. If this bit, along with the UARTn enable bit, UARTENn, the receiver enable bit, RXENn and the receiver interrupt bit, RIEn, are all set before the MCU enters the power down mode with the UARTn clock f_{Hn} being switched off, then a falling edge on the RXn pin will initiate a RXn pin wake-up UARTn interrupt. Note that as it takes certain system clock cycles after a wake-up, before normal microcontroller operation resumes, any data received during this time on the RXn pin will be ignored.

For a UARTn wake-up interrupt to occur, in addition to the bits for the wake-up being set, the global interrupt enable bit, EMI, and the UARTn interrupt enable bit, URnE, must be set. If the EMI and URnE bits are not set then only a wake up event will occur and no interrupt will be generated. Note also that as it takes certain system clock cycles after a wake-up before normal microcontroller resumes, the UARTn interrupt will not be generated until after this time has elapsed.

Comparators

Two independent analog comparators are contained in these devices. The comparator functions offer flexibility via their register controlled features such as power-down, polarity select, response time, etc. In sharing their pins with normal I/O pins the comparators do not waste precious I/O pins if the comparator functions are otherwise unused.



Comparators – n=0~1

Comparator Operation

The devices contain two comparator functions which are used to compare two analog voltages and provide an output based on their difference. Full control over the two internal comparators is provided via the control register, CP0C and CP1C, one assigned to each comparator. The comparator output is recorded via a bit in the control register, but can also be transferred out onto a shared I/O pin. Additional comparator functions include output polarity, response time and power down control.

Any pull-high resistors connected to the shared comparator input pins will be automatically disconnected when the comparator is enabled. As the comparator inputs approach their switching level, some spurious output signals may be generated on the comparator output due to the slow rising or falling nature of the input signals. This can be minimised by the hysteresis function which will apply a small amount of positive feedback to the comparator. When the comparator operates in the normal mode, the hysteresis function will automatically be enabled. However, the hysteresis function will be disabled when the comparator operates in the input offset calibration mode.

Ideally the comparator should switch at the point where the positive and negative inputs signals are at the same voltage level. However, unavoidable input offsets introduce some uncertainties here. The offset calibration function, if executed, will minimise the switching offset value. The comparator also provides the output response time select function using the CNVTn1~CNVTn0 bits in the CPnC register.

Comparator Registers

There are four registers for overall comparator operation, two registers, CPnC and CPnVOS, for each comparator. As corresponding bits in these registers have identical functions, the following register table applies to the registers.

Register Name	Bit							
	7	6	5	4	3	2	1	0
CPnC	—	CnEN	CnPOL	CnOUT	CNVTn1	CNVTn0	—	—
CPnVOS	—	CnOFM	CnRSP	CnOF4	CnOF3	CnOF2	CnOF1	CnOF0

Comparator Registers List – n=0~1

CPnC Register

Bit	7	6	5	4	3	2	1	0
Name	—	CnEN	CnPOL	CnOUT	CNVtn1	CNVtn0	—	—
R/W	—	R/W	R/W	R	R/W	R/W	—	—
POR	—	0	0	0	0	0	—	—

- Bit 7 Unimplemented, read as "0"
- Bit 6 **CnEN**: Comparator enable control
 0: Disable
 1: Enable
 This bit is used to enable the comparator function. If this bit is cleared to zero, the comparator will be switched off and no power consumed even if analog voltages are applied to its inputs. When the comparator function is disabled, the comparator output will be set to zero.
- Bit 5 **CnPOL**: Comparator output polarity selection
 0: Output not inverted
 1: Output inverted
 If this bit is cleared to zero, the CnOUT bit will reflect the non-inverted output condition of the comparator. If this bit is set high, the CnOUT bit will be inverted.
- Bit 4 **CnOUT**: Comparator output bit
 CnPOL=0
 0: Cn+ < Cn-
 1: Cn+ > Cn-
 CnPOL=1
 0: Cn+ > Cn-
 1: Cn+ < Cn-
 This bit is used to store the comparator output bit. The polarity of this bit is determined by the voltages on the comparator inputs and by the condition of the CnPOL bit.
- Bit 3~2 **CNVtn1~CNVtn0**: Comparator response time selection
 00: Response time 0 (max.)
 01: Response time 1
 10: Response time 2
 11: Response time 3 (min.)
 These bits are used to select the comparator response time. The detailed response time specifications are listed in the Comparator Characteristics.
- Bit 1~0 Unimplemented, read as "0"

CPnVOS Register

Bit	7	6	5	4	3	2	1	0
Name	—	CnOFM	CnRSP	CnOF4	CnOF3	CnOF2	CnOF1	CnOF0
R/W	—	R/W	R/W	R/W	R/W	R/W	R/W	R/W
POR	—	0	0	1	0	0	0	0

- Bit 7 Unimplemented, read as "0"
- Bit 6 **CnOFM**: Comparator normal operation or input offset calibration mode selection
 0: Normal operation mode
 1: Input offset calibration mode
 This bit is used to enable the comparator input offset calibration function. Refer to the "Input Offset Calibration" section for the detailed input offset calibration procedures.
- Bit 5 **CnRSP**: Comparator input offset calibration reference input selection
 0: Cn- is selected as reference input
 1: Cn+ is selected as reference input

Bit 4~0 **CnOF4~CnOF0**: Comparator input offset calibration value
This 5-bit field is used to perform the comparator input offset calibration operation and the value after the input offset calibration can be restored into this bit field. Refer to the "Input Offset Calibration" section for more detailed information.

Input Offset Calibration

To operate in the input offset calibration mode, the comparator input pins to be used should first be selected by properly configuring the corresponding pin-shared function selection bits followed by setting the CnOFM bit high. The procedure is described in the following.

Step 1. Set CnOFM=1 to enable the comparator input offset calibration mode.

Step 2. Set CnOF [4:0]=00000 and read the CnOUT bit.

Step 3. Increase the CnOF [4:0] value by 1 and then read the CnOUT bit.

If the CnOUT bit state does not changed, then repeat Step 3 until the CnOUT bit state changes.

If the CnOUT bit state changes, record the CnOF field value as VCnOS1 and then go to Step 4.

Step 4. Set CnOF [4:0]=11111 and read the CnOUT bit.

Step 5. Decrease the CnOF [4:0] value by 1 and then read the CnOUT bit.

If the CnOUT bit state does not changed, then repeat Step 5 until the CnOUT bit state changes.

If the CnOUT bit state changes, record the CnOF field value as VCnOS2 and then go to Step 6.

Step 6. Restore the comparator input offset calibration value VCnOS into the CnOF [4:0] bit field.
The offset calibration procedure is now finished.

Where $VCnOS = (VCnOS1 + VCnOS2) / 2$

Comparator Interrupt

The comparator interrupt is contained within the Multi-function interrupt. When the comparator output changes state, its relevant interrupt flag will be set, and if the corresponding interrupt enable bit and the Multi-function interrupt enable bit are set, then a jump to its relevant interrupt vector will be executed. Note that it is the changing state of the CnOUT bit and not the output pin which generates an interrupt. If the microcontroller is in the SLEEP or IDLE Mode and the Comparator is enabled, then if the external input lines cause the Comparator output to change state, the resulting generated interrupt flag will also generate a wake-up. If it is required to disable a wake-up from occurring, then the interrupt flag should be first set high before entering the SLEEP or IDLE Mode.

Programming Considerations

If the comparator is enabled, it will remain active when the microcontroller enters the SLEEP or IDLE Mode, however as it will consume a certain amount of power, the user may wish to consider disabling it before the SLEEP or IDLE Mode is entered. As comparator pins are shared with normal I/O pins the I/O data bits for these pins will be read as zero regardless of the port control register bit value due to normal I/O path being switched off if the comparator function is enabled.

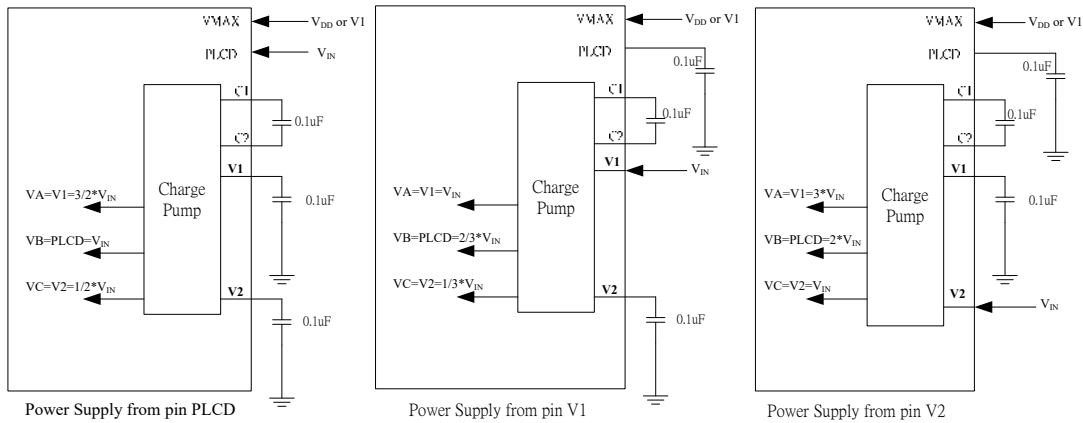
LCD Driver

For large volume applications, which incorporate an LCD in their design, the use of a custom display rather than a more expensive character based display reduces costs significantly. However, the corresponding COM and SEG signals required, which vary in both amplitude and time, to drive such a custom display require many special considerations for proper LCD operation to occur. This device contains an LCD Driver function, which with their internal LCD signal generating circuitry and various options, will automatically generate these time and amplitude varying signals to provide a means of direct driving and easy interfacing to a range of custom LCDs.

The device includes a wide range of options to enable LCD displays of various types to be driven. The table shows the range of options available for the device range.

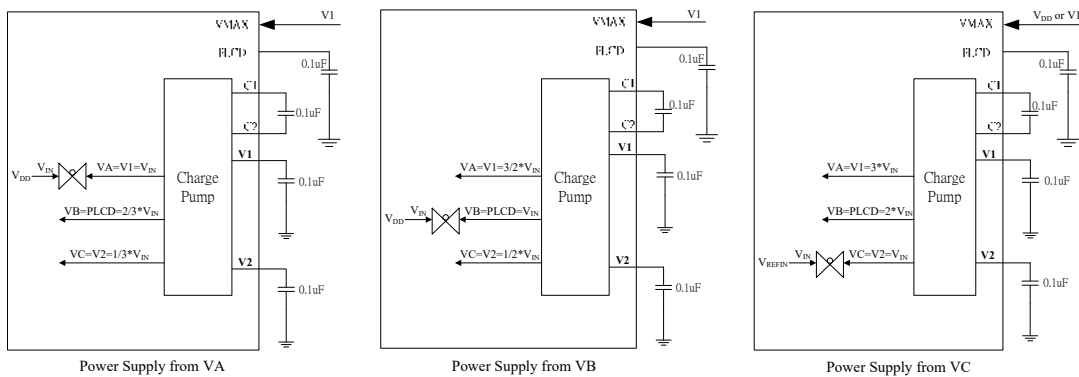
Device No.	Duty	Bias	Bias Type	Wave Type
HT67F2350	1/4	1/3	R or C	A or B
HT67F2360	1/6	1/3	R or C	A or B
HT67F2370	1/8	1/3	R	A or B
HT67F2390	1/8	1/4	R	A or B

LCD Selection



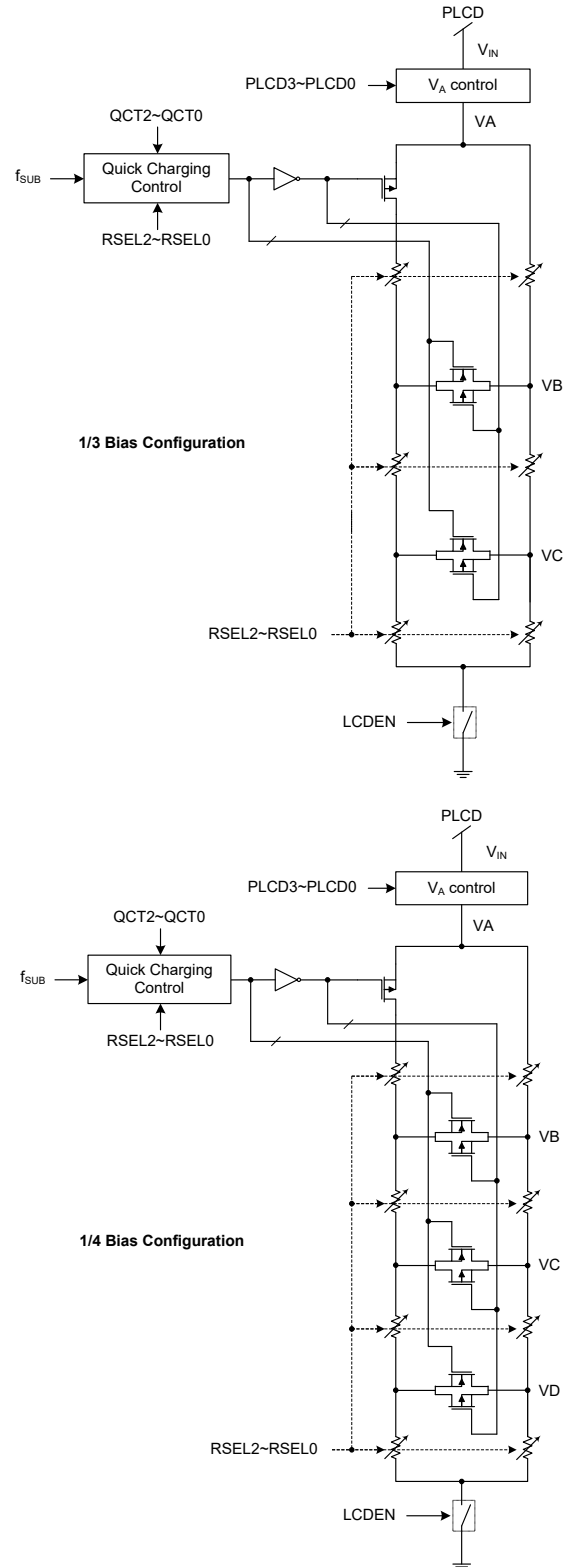
Note: The pin VMAX must be connected to the maximum voltage to prevent from the pad current leakage.

C Type Bias External Power Supply Configuration – 1/3 Bias



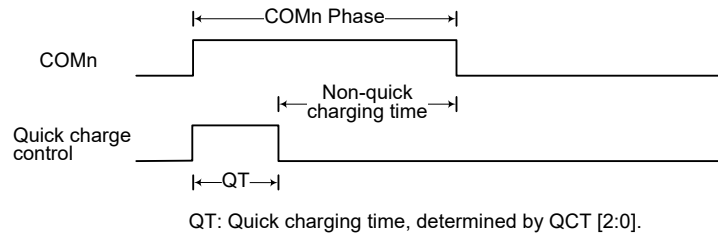
Note: The pin VMAX must be connected to the maximum voltage to prevent from the pad current leakage.

C Type Bias Internal Power Supply Configuration – 1/3 Bias



Note: When the R type LCD is disabled, the DC path will be switched off.

R Type Bias Configurations – 1/3 Bias & 1/4 Bias



QT: Quick charging time, determined by QCT [2:0].

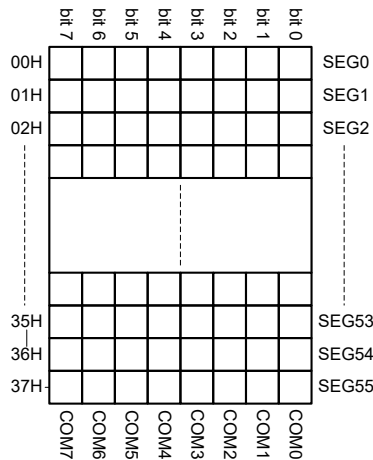
Quick Charging Mode

LCD Memory

An area of Data Memory is especially reserved for use for the LCD display data. This data area is known as the LCD Memory. Any data written here will be automatically read by the internal display driver circuits, which will in turn automatically generate the necessary LCD driving signals. Therefore any data written into this Memory will be immediately reflected into the actual display connected to the microcontroller. Note that for the un-bonded or unused LCD SEG/COM pins the corresponding LCD display memory data bits can be used as general data bits.

As the LCD Memory addresses overlap those of the General Purpose Data Memory, it is stored in its own independent Sector 4 area. The Data Memory sector to be used is chosen by using the Memory Pointer high byte register, which is a special function register in the Data Memory, with the name, MP1H or MP2H. To access the LCD Memory therefore requires first that Sector 4 is selected by writing a value of 04H to the MP1H or MP2H register. After this, the memory can then be accessed by using indirect addressing through the use of Memory Pointer low byte, MP1L or MP2L. With Sector 4 selected, then using MP1L or MP2L to read or write to the memory area, starting with address "00H" for all the devices, will result in operations to the LCD Memory. Directly addressing the LCD Display Memory can be applicable using the extended instructions for the full range address access.

The accompanying LCD Memory Map diagrams shows how the internal LCD Memory is mapped to the Segments and Commons of the display for the devices.



LCD Memory Map

LCD Clock Source

The LCD clock source is the internal clock signal, f_{SUB} , divided by 8 using an internal divider circuit. The f_{SUB} internal clock is supplied by either the LIRC or LXT oscillator, the choice of which is determined by a software control bit. For proper LCD operation, this arrangement is provided to generate an ideal LCD clock source frequency of 4 kHz.

LCD Register

There are control registers, named as LCDC0, LCDC1 and LCDC2, in the Data Memory which is used to control the various setup features of the LCD Driver.

Various bits in these registers control functions such as LCD wave type, bias type, supply power selection, total bias resistor selection together with the overall LCD enable and disable control. The LCDEN bit in the LCDC0 register, which provides the overall LCD enable/disable function, will only be effective when the device is in the FAST, SLOW or IDLE Mode. If the device is in the SLEEP Mode then the display will always be disabled. Bits, RSEL2~RSEL0, in the LCDC0 register select the internal total bias resistors to supply the LCD panel with the proper bias current. A choice to best match the LCD panel used in the application can be selected also to minimise bias current. The TYPE bit in the LCDC0 register is used to select whether Type A or Type B LCD waveform signals are used. The RCT bit in the same register is used to select whether R Type or C Type LCD bias is used. The LCDP1 and LCDP0 bits are used to select that the LCD supply power comes from either the external pin or internal power supply for C type bias application.

The PLCD3~PLCD0 bits in the LCDC1 register are used to select the V_A voltage for R type bias circuitry. The QCT2~QCT0 bits in the same register are used to determine the quick charge time period.

Register Name	Bit							
	7	6	5	4	3	2	1	0
LCDC0	TYPE	RCT	LCDP1	LCDP0	RSEL2	RSEL1	RSEL0	LCDEN
LCDC1	QCT2	QCT1	QCT0	—	PLCD3	PLCD2	PLCD1	PLCD0
LCDC2	—	—	—	—	—	DTYC1	DTYC0	BIAS

LCD Registers List

LCDC0 Register

Bit	7	6	5	4	3	2	1	0
Name	TYPE	RCT	LCDP1	LCDP0	RSEL2	RSEL1	RSEL0	LCDEN
R/W	R/W	R/W	R/W	R/W	R/W	R/W	R/W	R/W
POR	0	0	0	0	0	0	0	0

Bit 7 **TYPE**: LCD waveform type selection

0: Type A
 1: Type B

Bit 6 **RCT**: LCD bias type selection

0: R type
 1: C type

When the RCT bit is cleared to 0, the LCDP[1:0] bits should be fixed at "00" and the power source is from the PLCD pin.

If the C1, C2 and V2 pin has pin-shared I/O or other pin-shared functions, when the RCT=1, the selected I/O or other pin-shared functions will interference with the C1, C2 and V2 functions.

Bit 5~4 **LCDP1~LCDP0**: C type bias LCD power supply selection

00: From external pin PLCD, V1 or V2
 01: From internal reference voltage V_{REFIN} supplied to VC
 10: From internal voltage V_{DD} supplied to VB
 11: From internal voltage V_{DD} supplied to VA

The V_{REFIN} is an internal reference voltage with an approximate level of 1.04V.

Bit 3~1 **RSEL2~RSEL0**: R type total bias resistors selection – for both 1/3 and 1/4 bias selections
 000: 1170 kΩ
 001: 225 kΩ
 010: 60 kΩ
 011: Quick charging mode – switching between 60 kΩ and 1170 kΩ
 1xx: Quick charging mode – switching between 60 kΩ and 225 kΩ

The device provides the low power quick charging mode for R type LCD display. In quick charging mode the LCD will provide more bias current at the beginning of each COMn phase as LCD display refreshes and then provide less bias current to reduce the bias current consumption in the remaining time duration in the same COMn phase.

Bit 0 **LCDEN**: LCD Enable control
 0: Disable
 1: Enable

In the FAST, SLOW or IDLE mode, the LCD on/off function can be controlled by this bit. However, in the SLEEP mode, the LCD function is always switched off.

LCDC1 Register

Bit	7	6	5	4	3	2	1	0
Name	QCT2	QCT1	QCT0	—	PLCD3	PLCD2	PLCD1	PLCD0
R/W	R/W	R/W	R/W	—	R/W	R/W	R/W	R/W
POR	0	0	0	—	0	0	0	0

Bit 7~5 **QCT2~QCT0**: R type quick charging time selection
 000: 1 t_{SUB}
 001: 2 t_{SUB}
 010: 3 t_{SUB}
 011: 4 t_{SUB}
 100: 5 t_{SUB}
 101: 6 t_{SUB}
 110: 7 t_{SUB}
 111: 8 t_{SUB}

The t_{SUB} is the period of the LCD clock source f_{SUB}, i.e., 1/f_{SUB}.

Bit 4 Unimplemented, read as "0"

Bit 3~0 **PLCD3~PLCD0**: R type bias supply voltage selection for VA node
 0000: 8/16 × V_{PLCD}
 0001: 9/16 × V_{PLCD}
 0010: 10/16 × V_{PLCD}
 0011: 11/16 × V_{PLCD}
 0100: 12/16 × V_{PLCD}
 0101: 13/16 × V_{PLCD}
 0110: 14/16 × V_{PLCD}
 0111: 15/16 × V_{PLCD}
 1XXX: V_{PLCD}

Note that the V_A voltage level has to be equal to or greater than 2.1V.

LCDC2 Register

Bit	7	6	5	4	3	2	1	0
Name	—	—	—	—	—	DTYC1	DTYC0	BIAS
R/W	—	—	—	—	—	R/W	R/W	R/W
POR	—	—	—	—	—	0	0	0

Bit 7~3 Unimplemented, read as "0"

Bit 2~1 **DTC1~DTC0**: LCD duty selection

00: 1/4 duty – COM0~COM3 used, for both R and C type.

01: 1/6 duty – COM0~COM5 used, for both R and C type.

10: 1/8 duty – COM0~COM7 used, for R type only.

11: Unimplemented

The unused COM pin can be configured as other pin-shared functions using the corresponding pin-shared selection register.

Bit 0 **BIAS**: LCD bias selection

0: 1/3 bias – for both R and C types

1: 1/4 bias – for R type only

The 1/3 bias selection can be used for both R and C types while the 1/4 bias selection can only be used for R type. It is recommended to use the 1/4 bias selection for the 1/8 duty configuration.

LCD Voltage Source and Biasing

The time and amplitude varying signals generated by the LCD Driver function require the generation of several voltage levels for their operation. The devices can have either R type or C type biasing selected via a software control bit named RCT. Selecting the C type biasing will enable an internal charge pump circuitry.

R Type Biasing – 1/3 Bias & 1/4 Bias

For R type biasing an external LCD voltage source must be supplied on pin PLCD to generate the internal biasing voltages. This could be the microcontroller power supply V_{DD} or some other voltage source equal to or less than V_{DD} . For the R type 1/3 bias scheme, four voltage levels V_{SS} , V_A , V_B and V_C are utilised. For the R type 1/4 bias scheme, five voltage levels V_{SS} , V_A , V_B , V_C and V_D are utilised. The voltage V_A is selected by the PLCD3~PLCD0 bits to be equal to a specific ratio of V_{PLCD} varying from $8/16 V_{PLCD}$ to V_{PLCD} . Note that the 1/4 bias type is recommended to be used for 1/8 duty selection.

Different values of internal bias resistors can be selected using the RSEL2~RESEL0 bits in the LCDC0 register. This along with the voltage on pin PLCD will determine the bias current. The VMAX pin should be connected to the VDD pin and the available maximum voltage applied to the PLCD pin is equal to V_{DD} . Note that no external capacitors or resistors are required to be connected if R type biasing is used.

Bias Selection	Bias Voltage
1/3 Bias	$V_A=8/16V_{PLCD} \sim V_{PLCD}$; $V_B=2/3V_A$; $V_C=1/3V_A$.
1/4 Bias	$V_A=8/16V_{PLCD} \sim V_{PLCD}$; $V_B=3/4V_A$; $V_C=2/4V_A$; $V_D=1/4V_A$.

R Type Bias Voltage

C Type Biasing – 1/3 Bias Only

For C type biasing the LCD voltage source can be supplied on the external pin PLCD, V1 or V2 or derived from the internal voltage source to generate the required biasing voltages. The C type bias voltage source is selected using the LCDP1 and LCDP0 bits in the LCDC0 register. The C type biasing scheme uses an internal charge pump circuit and can generate voltages higher than what is supplied on PLCD or V2. This feature is useful in applications where the microcontroller supply voltage is less than the supply voltage required by the LCD. Additional charge pump capacitors must also be connected between pins C1 and C2 to generate the necessary voltage levels.

For C type 1/3 bias external power supply scheme, the LCD power can be supplied on PLCD, V1 or V2 pin. However, the LCD power is internally supplied on VA, VB or VC for C type 1/3 bias internal power supply scheme. Four internally generated voltage levels, V_{SS} , V_A , V_B and V_C , are utilised. These bias voltages have different levels depending upon different LCD power supply schemes.

LCD Power Supply		VA voltage	VB voltage	VC voltage
External Power Supply	V_{IN} on V1	V_{IN}	$2/3 \times V_{IN}$	$1/3 \times V_{IN}$
	V_{IN} on PLCD	$3/2 \times V_{IN}$	V_{IN}	$1/2 \times V_{IN}$
	V_{IN} on V2	$3 \times V_{IN}$	$2 \times V_{IN}$	V_{IN}
Internal Power Supply	V_{DD} on VA	V_{DD}	$2/3 \times V_{DD}$	$1/3 \times V_{DD}$
	V_{DD} on VB	$3/2 \times V_{DD}$	V_{DD}	$1/2 \times V_{DD}$
	V_{REFIN} on VC	$3 \times V_{REFIN}$	$2 \times V_{REFIN}$	V_{REFIN}

C Type Bias Power Supply Scheme

The connection to the VMAX pin depends upon the LCD power supply scheme. It is extremely important to ensure that these charge pump generated internal voltages do not exceed the maximum V_{DD} voltage of 5.5V.

Condition	VMAX Connection
$V_{DD} > V_{IN} \times 1.5$	Connect VMAX to VDD
Otherwise	Connect VMAX to V1

C Type Bias VMAX Pin Connection

LCD Reset Function

The LCD has an internal reset function that is an OR function of the inverted LCDEN bit in the LCDC0 register and the SLEEP function. When the LCDEN bit is set to 1 to enable the LCD driver function before the device enters the SLEEP mode, the LCD function will be reset after the device enters the SLEEP mode. Clearing the LCDEN bit to zero will also reset the LCD function.

MCU Reset	SLEEP Mode	LCDEN	LCD Reset	COM & SEG Voltage Level
No	Off	1	No	Normal Operation
No	Off	0	Yes	Low
No	On	x	Yes	Low
Yes	x	x	Yes	Floating

Note: 1. The watchdog time-out reset in the IDLE or SLEEP Mode is excluded from the MCU Reset conditions.

2. "x": Don't care.

LCD Reset Function

LCD Driver Output

The number of COM and SEG outputs supplied by the LCD driver, as well as its biasing and wave type selections, are dependent upon how the LCD control bits are programmed. The Bias Type, whether C or R type is also selected by a software control bit.

The nature of Liquid Crystal Displays require that only AC voltages can be applied to their pixels as the application of DC voltages to LCD pixels may cause permanent damage. For this reason the relative contrast of an LCD display is controlled by the actual RMS voltage applied to each pixel, which is equal to the RMS value of the voltage on the COM pin minus the voltage applied to the SEG pin. This differential RMS voltage must be greater than the LCD saturation voltage for the pixel to be on and less than the threshold voltage for the pixel to be off.

The requirement to limit the DC voltage to zero and to control as many pixels as possible with a minimum number of connections requires that both a time and amplitude signal is generated and applied to the application LCD. These time and amplitude varying signals are automatically generated by the LCD driver circuits in the microcontroller. What is known as the duty determines the number of common lines used, which are also known as backplanes or COMs. The duty, which is to have a value of 1/4 and which equates to a COM number of 4, therefore defines the number of time divisions within each LCD signal frame. Two types of signal generation are also provided, known as Type A and Type B, the required type is selected via the TYPE bit in the LCDC0 register. Type B offers lower frequency signals, however, lower frequencies may introduce flickering and influence display clarity.

R and C Type, 4 COM, 1/3 Bias

LCD Display Off Mode

COM0 ~ COM3

All segment outputs

Normal Operation Mode

1 Frame

COM0

COM1

COM2

COM3

All segments are OFF

COM0 side segments are ON

COM1 side segments are ON

COM2 side segments are ON

COM3 side segments are ON

COM0,1 side segments are ON

COM0,2 side segments are ON

COM0,3 side segments are ON

(other combinations are omitted)

All segments are ON

V_A
V_B
V_C
V_{SS}

V_A
V_B
V_C
V_{SS}

V_A
V_B
V_C
V_{SS}

V_A
V_B
V_C
V_{SS}

V_A
V_B
V_C
V_{SS}

V_A
V_B
V_C
V_{SS}

V_A
V_B
V_C
V_{SS}

V_A
V_B
V_C
V_{SS}

V_A
V_B
V_C
V_{SS}

V_A
V_B
V_C
V_{SS}

V_A
V_B
V_C
V_{SS}

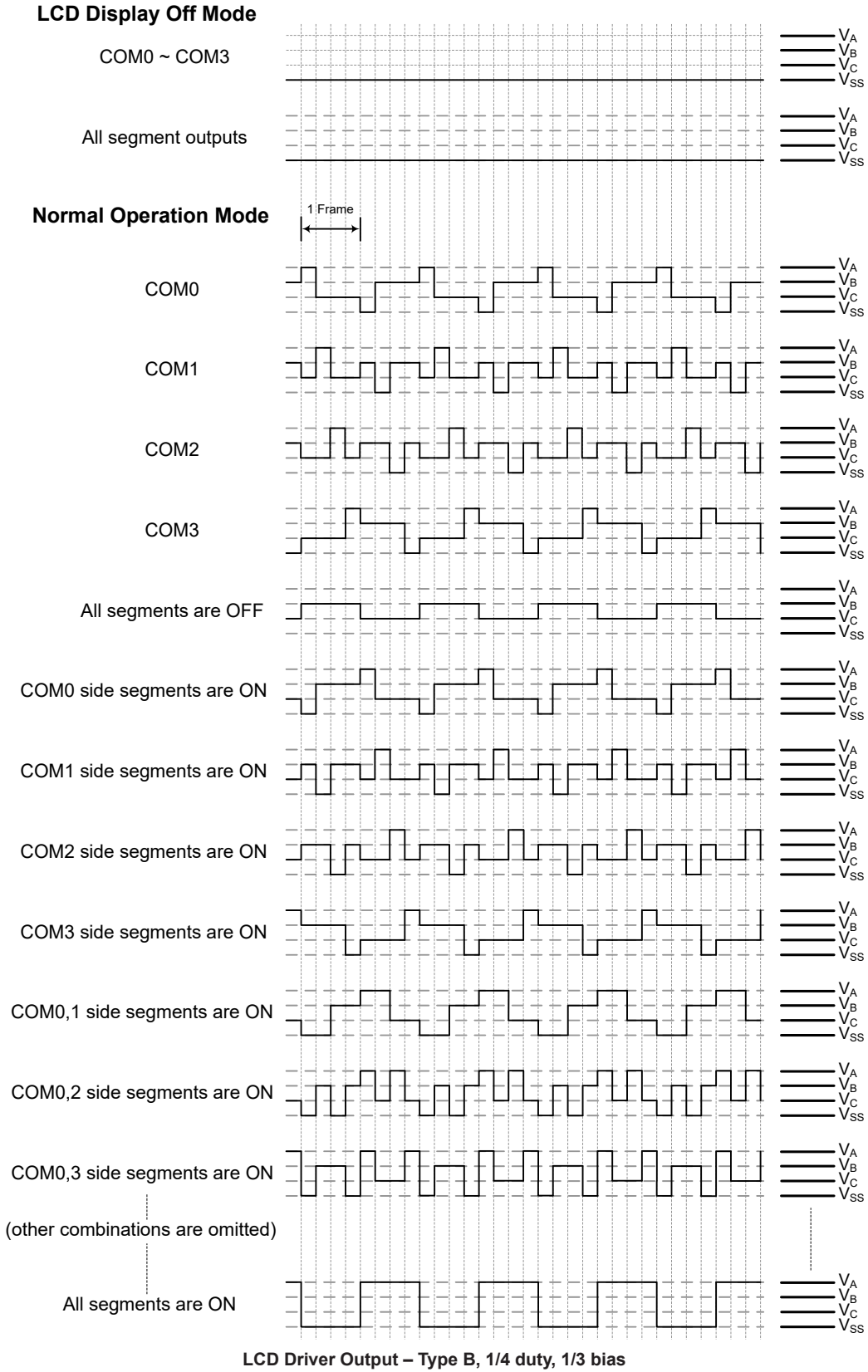
V_A
V_B
V_C
V_{SS}

V_A
V_B
V_C
V_{SS}

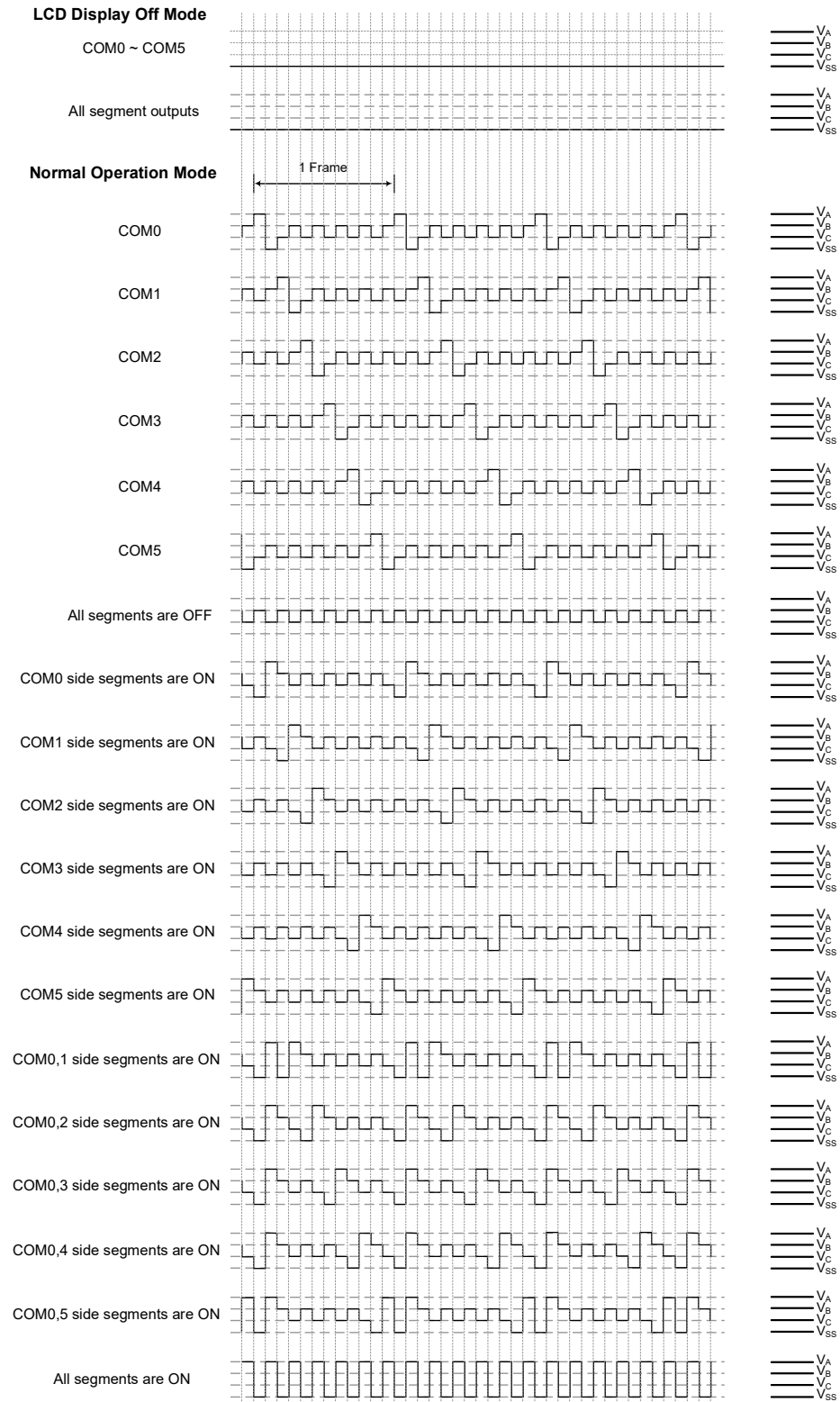
V_A
V_B
V_C
V_{SS}

V_A
V_B
V_C
V_{SS}

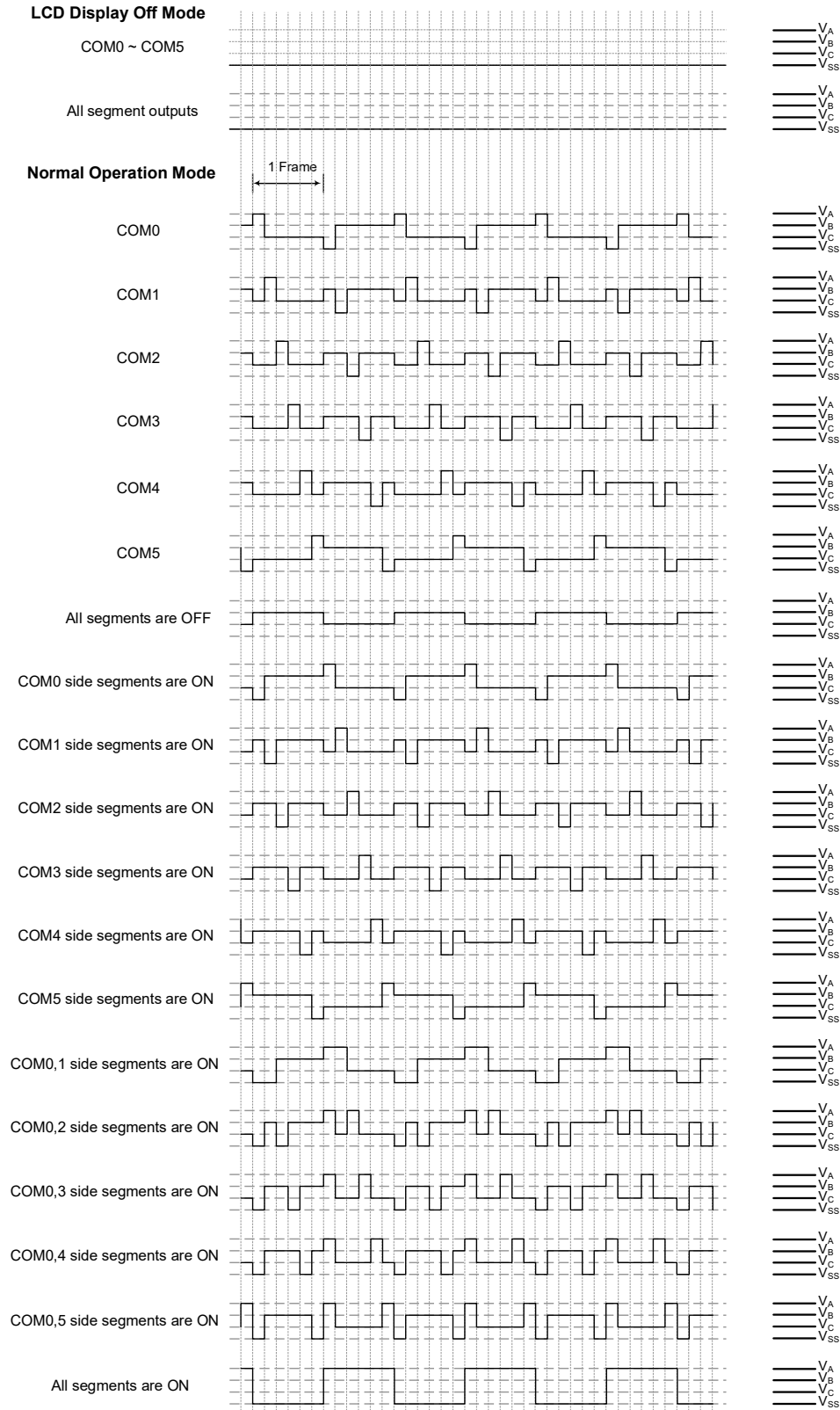
LCD Driver Output – Type A, 1/4 duty, 1/3 bias



R and C Type, 6 COM, 1/3 Bias

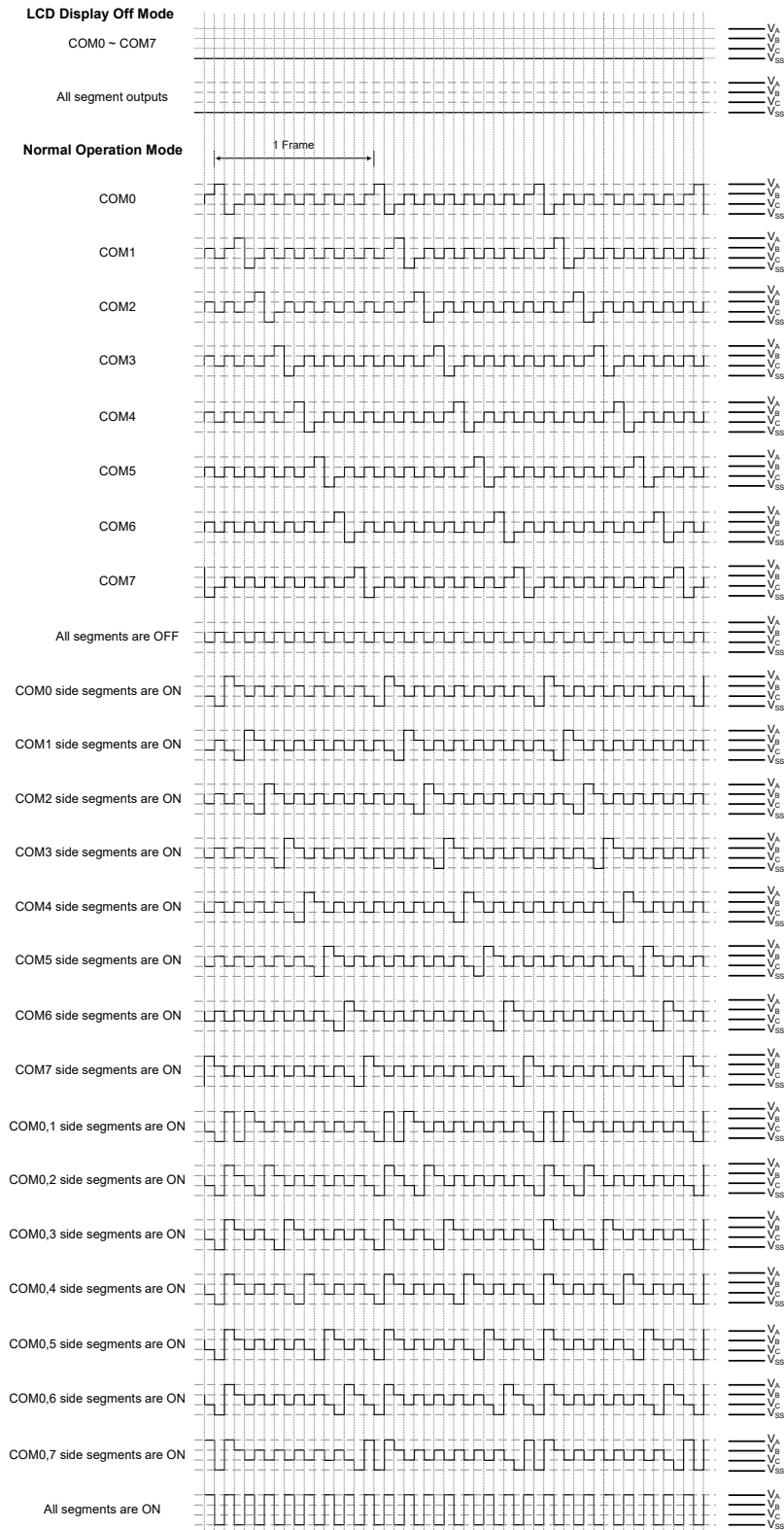


LCD Driver Output – Type A, 1/6 Duty, 1/3 Bias

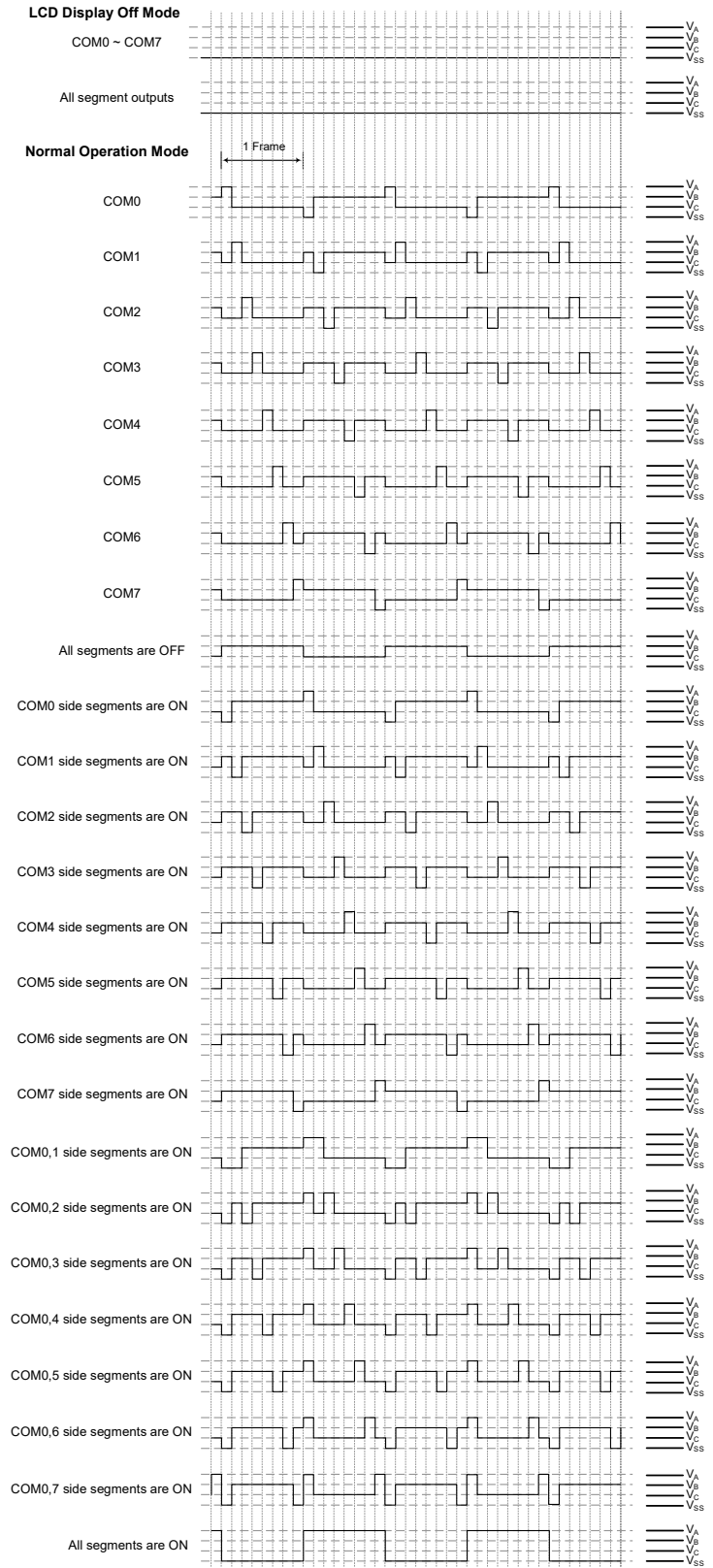


LCD Driver Output – Type B, 1/6 Duty, 1/3 Bias

R Type, 8 COM, 1/3 Bias

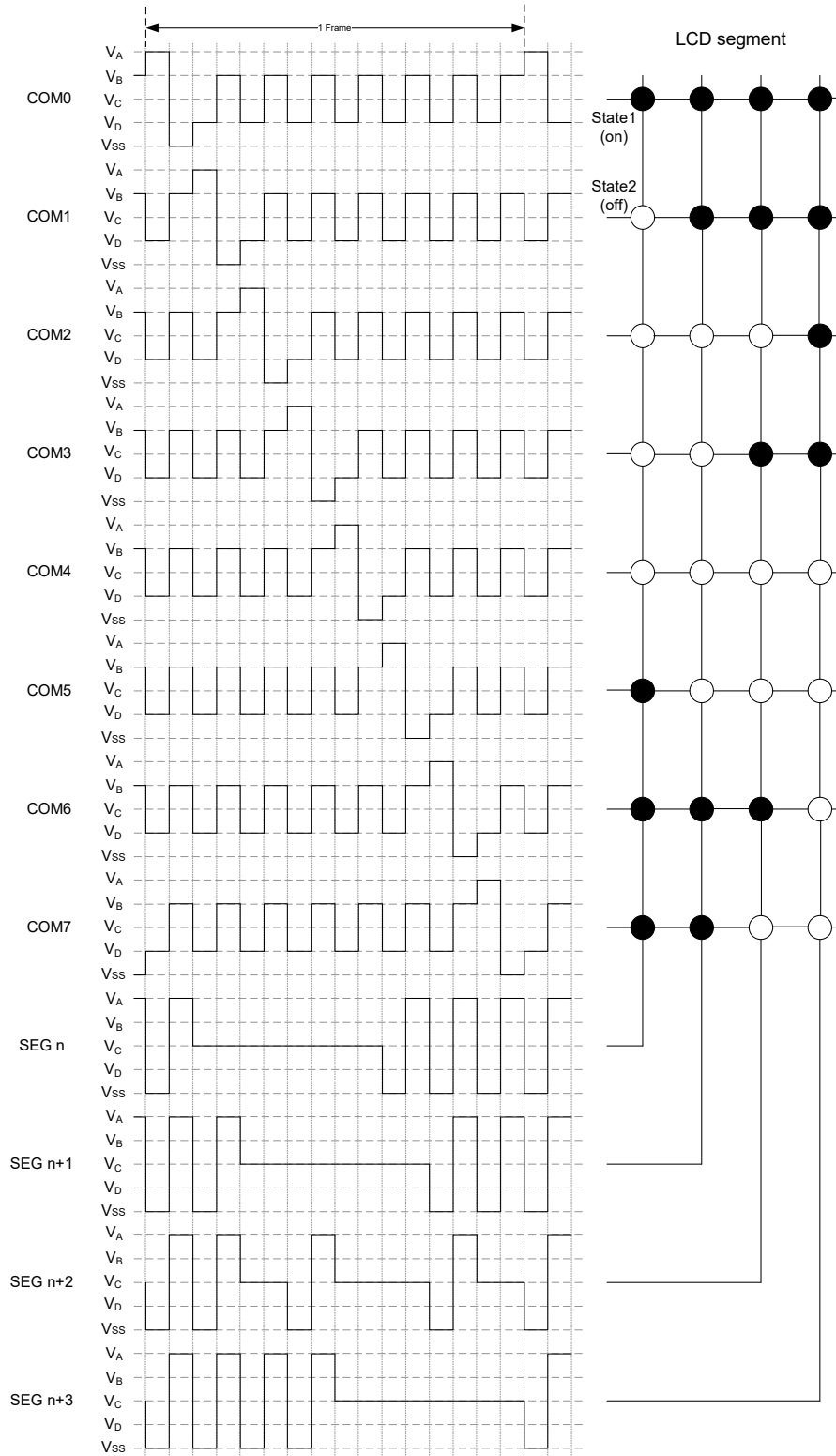


LCD Driver Output – Type A, 1/8 Duty, 1/3 Bias

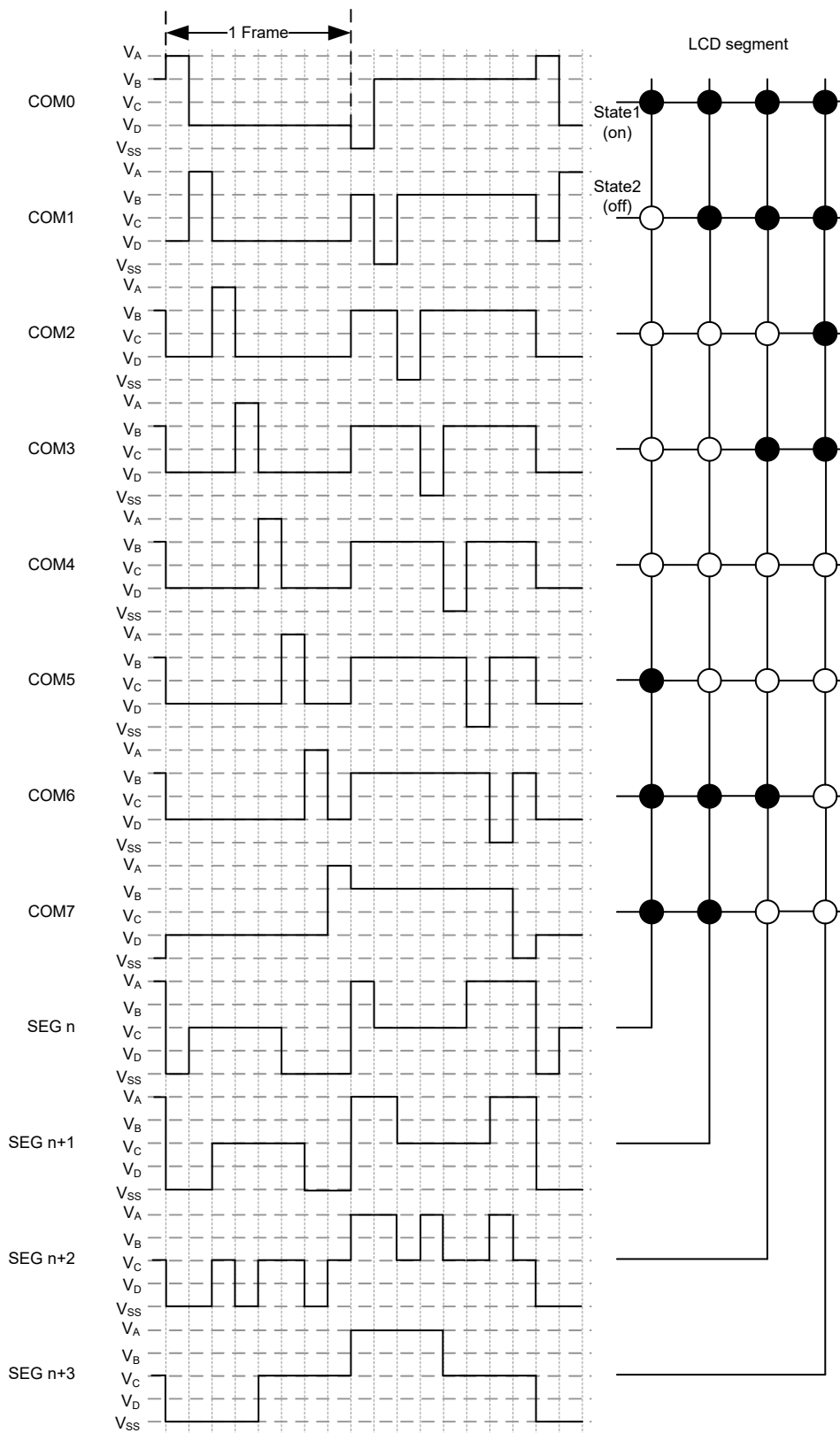


LCD Driver Output – Type B, 1/8 Duty, 1/3 Bias

R Type, 8 COM, 1/4 Bias



LCD Driver Output – Type A, 1/8 Duty, 1/4 Bias



LCD Driver Output – Type B, 1/8 Duty, 1/4 Bias

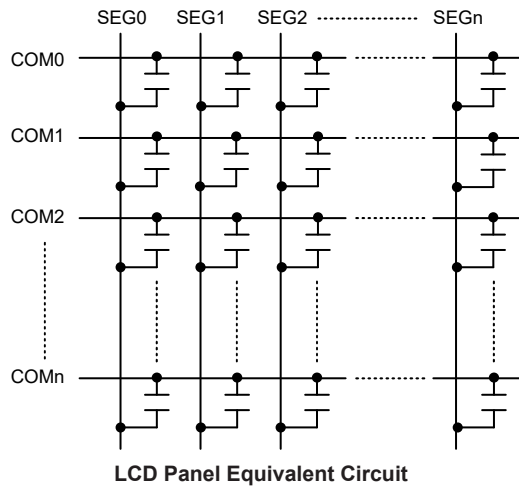
Programming Considerations

Certain precautions must be taken when programming the LCD. One of these is to ensure that the LCD Memory is properly initialised after the microcontroller is powered on. Like the General Purpose Data Memory, the contents of the LCD Memory are in an unknown condition after power-on. As the contents of the LCD Memory will be mapped into the actual display, it is important to initialise this memory area into a known condition soon after applying power to obtain a proper display pattern.

Consideration must also be given to the capacitive load of the actual LCD used in the application. As the load presented to the microcontroller by LCD pixels can be generally modeled as mainly capacitive in nature, it is important that this is not excessive, a point that is particularly true in the case of the COM lines which may be connected to many LCD pixels. The accompanying diagram depicts the equivalent circuit of the LCD.

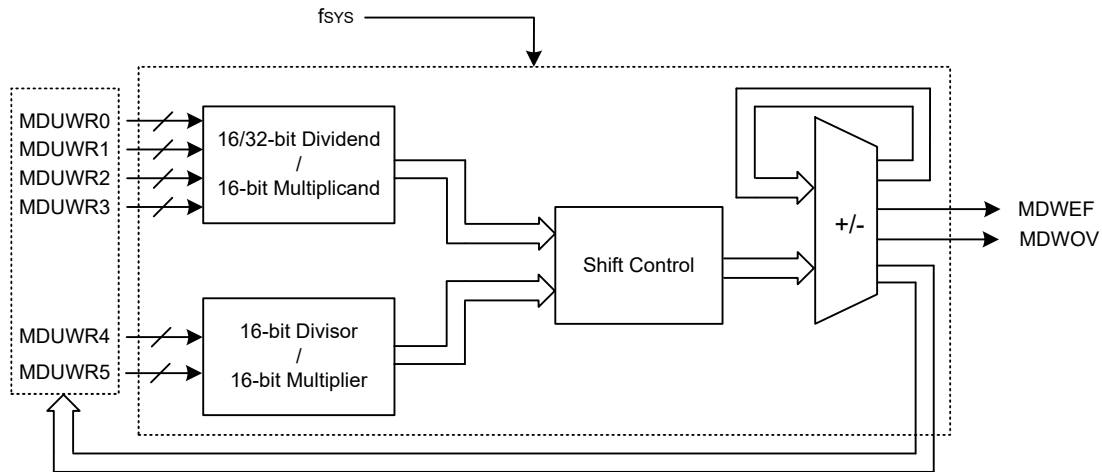
One additional consideration that must be taken into account is what happens when the microcontroller enters the IDLE or SLOW Mode. The LCDEN control bit in the LCDC0 register permits the display to be powered off to reduce power consumption. If this bit is zero, the driving signals to the display will cease, producing a blank display pattern but reducing any power consumption associated with the LCD.

After Power-on, note that as the LCDEN bit will be cleared to zero, the display function will be disabled.



16-bit Multiplication Division Unit – MDU

The devices each has a 16-bit Multiplication Division Unit, MDU, which integrates a 16-bit unsigned multiplier and a 32-bit/16-bit divider. The MDU, in replacing the software multiplication and division operations, can therefore save large amounts of computing time as well as the Program and Data Memory space. It also reduces the overall microcontroller loading and results in the overall system performance improvements.



16-Bit MDU Block Diagram

MDU Registers

The multiplication and division operations are implemented in a specific way, a specific write access sequence of a series of MDU data registers. The status register, MDUWCTRL, provides the indications for the MDU operation. The data register each is used to store the data regarded as the different operand corresponding to different MDU operations.

Register Name	Bit							
	7	6	5	4	3	2	1	0
MDUWR0	D7	D6	D5	D4	D3	D2	D1	D0
MDUWR1	D7	D6	D5	D4	D3	D2	D1	D0
MDUWR2	D7	D6	D5	D4	D3	D2	D1	D0
MDUWR3	D7	D6	D5	D4	D3	D2	D1	D0
MDUWR4	D7	D6	D5	D4	D3	D2	D1	D0
MDUWR5	D7	D6	D5	D4	D3	D2	D1	D0
MDUWCTRL	MDWEF	MDWOV	—	—	—	—	—	—

MDU Registers List

MDUWRn Register – n=0~5

Bit	7	6	5	4	3	2	1	0
Name	D7	D6	D5	D4	D3	D2	D1	D0
R/W	R/W	R/W	R/W	R/W	R/W	R/W	R/W	R/W
POR	x	x	x	x	x	x	x	x

"x": unknown

Bit 7~0 D7~D0: 16-bit MDU data register n

MDUWCTRL Register

Bit	7	6	5	4	3	2	1	0
Name	MDWEF	MDWOV	—	—	—	—	—	—
R/W	R	R	—	—	—	—	—	—
POR	0	0	—	—	—	—	—	—

- Bit 7 **MDWEF**: 16-bit MDU error flag
 0: Normal
 1: Abnormal
 This bit will be set to 1 if the data register MDUWRn is written or read as the MDU operation is executing. This bit should be cleared to 0 by reading the MDUWCTRL register if it is equal to 1 and the MDU operation is completed.
- Bit 6 **MDWOV**: 16-bit MDU overflow flag
 0: No overflow occurs
 1: Multiplication product > FFFFH or Divisor=0
 When an operation is completed, this bit will be updated by hardware to a new value corresponding to the current operation situation.
- Bit 5~0 Unimplemented, read as "0"

MDU Operation

For this MDU the multiplication or division operation is carried out in a specific way and is determined by the write access sequence of the six MDU data registers, MDUWR0~MDUWR5. The low byte data, regardless of the dividend, multiplicand, divisor or multiplier, must first be written into the corresponding MDU data register followed by the high byte data. All MDU operations will be executed after the MDUWR5 register is write-accessed together with the correct specific write access sequence of the MDUWRn. Note that it is not necessary to consecutively write data into the MDU data registers but must be in a correct write access sequence. Therefore, a non-write MDUWRn instruction or an interrupt, etc., can be inserted into the correct write access sequence without destroying the write operation. The relationship between the write access sequence and the MDU operation is shown in the following.

- 32-bit/16-bit division operation: Write data sequentially into the six MDU data registers from MDUWR0 to MDUWR5.
- 16-bit/16-bit division operation: Write data sequentially into the specific four MDU data registers in a sequence of MDUWR0, MDUWR1, MDUWR4 and MDUWR5 with no write access to MDUWR2 and MDUWR3.
- 16-bit/16-bit multiplication operation: Write data sequentially into the specific four MDU data register in a sequence of MDUWR0, MDUWR4, MDUWR1 and MDUWR5 with no write access to MDUWR2 and MDUWR3.

After the specific write access sequence is determined, the MDU will start to perform the corresponding operation. The calculation time necessary for these MDU operations are different. During the calculation time any read/write access to the six MDU data registers is forbidden. After the completion of each operation, it is necessary to check the operation status in the MDUWCTRL register to make sure that whether the operation is correct or not. Then the operation result can be read out from the corresponding MDU data registers in a specific read access sequence if the operation is correctly finished. The necessary calculation time for different MDU operations is listed in the following.

- 32-bit/16-bit division operation: $17 \times t_{SYS}$.
- 16-bit/16-bit division operation: $9 \times t_{SYS}$.
- 16-bit/16-bit multiplication operation: $11 \times t_{SYS}$.

The operation results will be stored in the corresponding MDU data registers and should be read out from the MDU data registers in a specific read access sequence after the operation is completed. Note that it is not necessary to consecutively read data out from the MDU data registers but must be in a correct read access sequence. Therefore, a non-read MDUWRn instruction or an interrupt, etc., can be inserted into the correct read access sequence without destroying the read operation. The relationship between the operation result read access sequence and the MDU operation is shown in the following.

- 32-bit/16-bit division operation: Read the quotient from MDUWR0 to MDUWR3 and remainder from MDUWR4 and MDUWR5 sequentially.
- 16-bit/16-bit division operation: Read the quotient from MDUWR0 and MDUWR1 and remainder from MDUWR4 and MDUWR5 sequentially.
- 16-bit/16-bit multiplication operation: Read the product sequentially from MDUWR0 to MDUWR3.

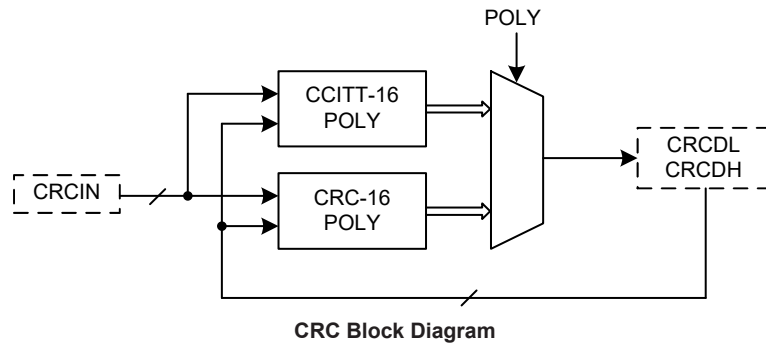
The overall important points for the MDU read/write access sequence and calculation time are summarized in the following table.

Operations Items	32-bit / 16-bit Division	16-bit / 16-bit Division	16-bit x 16-bit Multiplication
Write Sequence First write ↓ ↓ ↓ ↓ Last write	Dividend Byte 0 written to MDUWR0 Dividend Byte 1 written to MDUWR1 Dividend Byte 2 written to MDUWR2 Dividend Byte 3 written to MDUWR3 Divisor Byte 0 written to MDUWR4 Divisor Byte 1 written to MDUWR5	Dividend Byte 0 written to MDUWR0 Dividend Byte 1 written to MDUWR1 Divisor Byte 0 written to MDUWR4 Divisor Byte 1 written to MDUWR5	Multiplicand Byte 0 written to MDUWR0 Multiplier Byte 0 written to MDUWR4 Multiplicand Byte 1 written to MDUWR1 Multiplier Byte 1 written to MDUWR5
Calculation Time	17 × t _{sys}	9 × t _{sys}	11 × t _{sys}
Read Sequence First read ↓ ↓ ↓ ↓ Last read	Quotient Byte 0 read from MDUWR0 Quotient Byte 1 read from MDUWR1 Quotient Byte 2 read from MDUWR2 Quotient Byte 3 read from MDUWR3 Remainder Byte 0 read from MDUWR4 Remainder Byte 1 read from MDUWR5	Quotient Byte 0 read from MDUWR0 Quotient Byte 1 read from MDUWR1 Remainder Byte 0 read from MDUWR4 Remainder Byte 1 read from MDUWR5	Product Byte 0 read from MDUWR0 Product Byte 1 read from MDUWR1 Product Byte 2 read from MDUWR2 Product Byte 3 read from MDUWR3

MDU Operations Summary

Cyclic Redundancy Check – CRC

The Cyclic Redundancy Check, CRC, calculation unit is an error detection technique test algorithm and uses to verify data transmission or storage data correctness. A CRC calculation takes a data stream or a block of data as input and generates a 16-bit output remainder. Ordinarily, a data stream is suffixed by a CRC code and used as a checksum when being sent or stored. Therefore, the received or restored data stream is calculated by the same generator polynomial as described in the following section.



CRC Registers

The CRC generator contains an 8-bit CRC data input register, CRCIN, and a CRC checksum register pair, CRCDH and CRCDL. The CRCIN register is used to input new data and the CRCDH and CRCDL registers are used to hold the previous CRC calculation result. A CRC control register, CRCCR, is used to select which CRC generating polynomial is used.

Register Name	Bit							
	7	6	5	4	3	2	1	0
CRCIN	D7	D6	D5	D4	D3	D2	D1	D0
CRCDL	D7	D6	D5	D4	D3	D2	D1	D0
CRCDH	D7	D6	D5	D4	D3	D2	D1	D0
CRCCR	—	—	—	—	—	—	—	POLY

CRC Registers List

CRCIN Register

Bit	7	6	5	4	3	2	1	0
Name	D7	D6	D5	D4	D3	D2	D1	D0
R/W	R/W	R/W	R/W	R/W	R/W	R/W	R/W	R/W
POR	0	0	0	0	0	0	0	0

Bit 7~0 **D7~D0**: CRC input data register

CRCDL Register

Bit	7	6	5	4	3	2	1	0
Name	D7	D6	D5	D4	D3	D2	D1	D0
R/W	R/W	R/W	R/W	R/W	R/W	R/W	R/W	R/W
POR	0	0	0	0	0	0	0	0

Bit 7~0 **D7~D0**: 16-bit CRC checksum low byte data register

CRCDH Register

Bit	7	6	5	4	3	2	1	0
Name	D7	D6	D5	D4	D3	D2	D1	D0
R/W	R/W	R/W	R/W	R/W	R/W	R/W	R/W	R/W
POR	0	0	0	0	0	0	0	0

Bit 7~0 **D7~D0**: 16-bit CRC checksum high byte data register

CRCCR Register

Bit	7	6	5	4	3	2	1	0
Name	—	—	—	—	—	—	—	POLY
R/W	—	—	—	—	—	—	—	R/W
POR	—	—	—	—	—	—	—	0

Bit 7~1 Unimplemented, read as "0"

Bit 0 **POLY**: 16-bit CRC generating polynomial selection
 0: CRC-CCITT: $X^{16} + X^{12} + X^5 + 1$
 1: CRC-16: $X^{16} + X^{15} + X^2 + 1$

CRC Operation

The CRC generator provides the 16-bit CRC result calculation based on the CRC16 and CCITT CRC16 polynomials. In this CRC generator, there are only these two polynomials available for the numeric values calculation. It can not support the 16-bit CRC calculations based on any other polynomials.

The following two expressions can be used for the CRC generating polynomial which is determined using the POLY bit in the CRC control register, CRCCR. The CRC calculation result is called as the CRC checksum, CRCSUM, and stored in the CRC checksum register pair, CRCDH and CRCDL.

- CRC-CCITT: $X^{16} + X^{12} + X^5 + 1$.
- CRC-16: $X^{16} + X^{15} + X^2 + 1$.

CRC Computation

Each write operation to the CRCIN register creates a combination of the previous CRC value stored in the CRCDH and CRCDL registers and the new data input. The CRC unit calculates the CRC data register value is based on byte by byte. It will take one MCU instruction cycle to calculate the CRC checksum.

• CRC Calculation Procedures:

- Clear the checksum register pair, CRCDH and CRCDL.
- Execute an "Exclusive OR" operation with the 8-bit input data byte and the 16-bit CRCSUM high byte. The result is called the temporary CRCSUM.
- Shift the temporary CRCSUM value left by one bit and move a "0" into the LSB.
- Check the shifted temporary CRCSUM value after procedure 3.
 If the MSB is 0, then this shifted temporary CRCSUM will be considered as a new temporary CRCSUM.
 Otherwise, execute an "Exclusive OR" operation with the shifted temporary CRCSUM in procedure 3 and a data "8005H". Then the operation result will be regarded as the new temporary CRCSUM.
 Note that the data to be perform an "Exclusive OR" operation is "8005H" for the CRC-16 polynomial while for the CRC-CCITT polynomial the data is "1021H".
- Repeat the procedure 3 ~ procedure 4 until all bits of the input data byte are completely calculated.
- Repeat the procedure 2~ procedure 5 until all of the input data bytes are completely calculated. Then, the latest calculated result is the final CRC checksum, CRCSUM.

• **CRC Calculation Examples:**

- Write 1 byte input data into the CRCIN register and the corresponding CRC checksum are individually calculated as the following table shown.

CRC Data Input CRC Polynomial	00H	01H	02H	03H	04H	05H	06H	07H
CRC-CCITT ($X^{16}+X^{12}+X^5+1$)	0000H	1021H	2042H	3063H	4084H	50A5H	60C6H	70E7H
CRC-16 ($X^{16}+X^{15}+X^2+1$)	0000H	8005H	800FH	000AH	801BH	001EH	0014H	8011H

Note: The initial value of the CRC checksum register pair, CRCDH and CRCDL, is zero before each CRC input data is written into the CRCIN register.

- Write 4 bytes input data into the CRCIN register sequentially and the CRC checksum are sequentially listed in the following table.

CRC Data Input CRC Polynomial	CRCIN=78H→56H→34H→12H
CRC-CCITT ($X^{16}+X^{12}+X^5+1$)	(CRCDH, CRCDL)=FF9FH→BBC3H→A367H→D0FAH
CRC-16 ($X^{16}+X^{15}+X^2+1$)	(CRCDH, CRCDL)=0110h→91F1h→F2DEh→5C43h

Note: The initial value of the CRC checksum register pair, CRCDH and CRCDL, is zero before the sequential CRC data input operation.

• **Program Memory CRC Checksum Calculation Example:**

- Clear the checksum register pair, CRCDH and CRCDL.
- Select the CRC-CCITT or CRC-16 polynomial as the generating polynomial using the POLY bit in the CRCCR register.
- Execute the table read instruction to read the program memory data value.
- Write the table data low byte into the CRCIN register and execute the CRC calculation with the current CRCSUM value. Then a new CRCSUM result will be obtained and stored in the CRC checksum register pair, CRCDH and CRCDL.
- Write the table data high byte into the CRCIN register and execute the CRC calculation with the current CRCSUM value. Then a new CRCSUM result will be obtained and stored in the CRC checksum register pair, CRCDH and CRCDL.
- Repeat the procedure 3 ~ procedure 5 to read the next program memory data value and execute the CRC calculation until all program memory data are read followed by the sequential CRC calculation. Then the value in the CRC checksum register pair is the final CRC calculation result.

Low Voltage Detector – LVD

Each device has a Low Voltage Detector function, also known as LVD. This enabled the device to monitor the power supply voltage, V_{DD} , and provide a warning signal should it fall below a certain level. This function may be especially useful in battery applications where the supply voltage will gradually reduce as the battery ages, as it allows an early warning battery low signal to be generated. The Low Voltage Detector also has the capability of generating an interrupt signal.

LVD Register

The Low Voltage Detector function is controlled using a single register with the name LVDC. Three bits in this register, VLVD2~VLVD0, are used to select one of eight fixed voltages below which a low voltage condition will be determined. A low voltage condition is indicated when the LVDO bit is set. If the LVDO bit is low, this indicates that the V_{DD} voltage is above the preset low voltage value. The LVDEN bit is used to control the overall on/off function of the low voltage detector. Setting the bit high will enable the low voltage detector. Clearing the bit to zero will switch off the internal low voltage detector circuits. As the low voltage detector will consume a certain amount of power, it may be desirable to switch off the circuit when not in use, an important consideration in power sensitive battery powered applications.

LVDC Register

Bit	7	6	5	4	3	2	1	0
Name	—	—	LVDO	LVDEN	VBGEN	VLVD2	VLVD1	VLVD0
R/W	—	—	R	R/W	R/W	R/W	R/W	R/W
POR	—	—	0	0	0	0	0	0

Bit 7~6 Unimplemented, read as "0"

Bit 5 **LVDO**: LVD output flag
 0: No Low Voltage Detected
 1: Low Voltage Detected

Bit 4 **LVDEN**: Low Voltage Detector Enable control
 0: Disable
 1: Enable

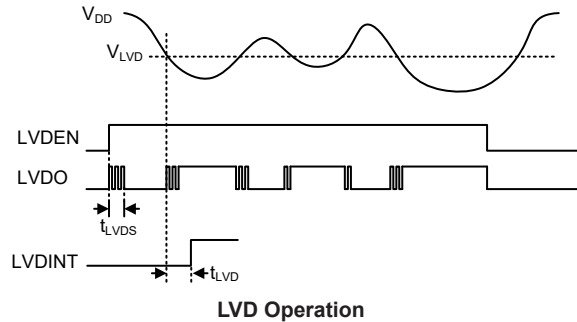
Bit 3 **VBGEN**: Bandgap Voltage Output Enable control
 0: Disable
 1: Enable

Note that the Bandgap circuit is enabled when the LVD or LVR function is enabled or when the VBGEN bit is set to 1.

Bit 2~0 **VLVD2~VLVD0**: LVD Voltage selection
 000: 2.0V
 001: 2.2V
 010: 2.4V
 011: 2.7V
 100: 3.0V
 101: 3.3V
 110: 3.6V
 111: 4.0V

LVD Operation

The Low Voltage Detector function operates by comparing the power supply voltage, V_{DD} , with a pre-specified voltage level stored in the LVDC register. This has a range of between 2.0V and 4.0V. When the power supply voltage, V_{DD} , falls below this pre-determined value, the LVDO bit will be set high indicating a low power supply voltage condition. The Low Voltage Detector function is supplied by a reference voltage which will be automatically enabled. When the device enters the SLEEP Mode, the low voltage detector will automatically be disabled even if the LVDEN bit is high. After enabling the Low Voltage Detector, a time delay t_{LVDS} should be allowed for the circuitry to stabilise before reading the LVDO bit. Note also that as the V_{DD} voltage may rise and fall rather slowly, at the voltage nears that of V_{LVD} , there may be multiple bit LVDO transitions.



The Low Voltage Detector also has its own interrupt which is contained within one of the Multi-function interrupts, providing an alternative means of low voltage detection, in addition to polling the LVDO bit. The interrupt will only be generated after a delay of t_{LVD} after the LVDO bit has been set high by a low voltage condition. When the device is powered down the Low Voltage Detector will remain active if the LVDEN bit is high. In this case, the LVF interrupt request flag will be set, causing an interrupt to be generated if V_{DD} falls below the preset LVD voltage. This will cause the device to wake-up from the IDLE Mode. However, if the Low Voltage Detector wake up function is not required, then the LVF flag should be first set high before the device enters the IDLE Mode.

Interrupts

Interrupts are an important part of any microcontroller system. When an external event or an internal function such as a Timer Module or an A/D converter requires microcontroller attention, their corresponding interrupt will enforce a temporary suspension of the main program allowing the microcontroller to direct attention to their respective needs. These devices contain several external interrupt and internal interrupts functions. The external interrupts are generated by the action of the external INT0 ~ INT3 pins, while the internal interrupts are generated by various internal functions such as the TMs, Time Base, LVD, EEPROM, SIM, UART and the A/D converter, etc.

Interrupt Registers

Overall interrupt control, which basically means the setting of request flags when certain microcontroller conditions occur and the setting of interrupt enable bits by the application program, is controlled by a series of registers, located in the Special Purpose Data Memory, as shown in the accompanying table. The number of registers depends upon the device chosen but fall into three categories. The first is the INTC0~INTC3 registers which setup the primary interrupts, the second is the MFI0~MFI9 registers which setup the Multi-function interrupts. Finally there is an INTEG register to setup the external interrupt trigger edge type.

Each register contains a number of enable bits to enable or disable individual interrupts as well as interrupt flags to indicate the presence of an interrupt request. The naming convention of these follows a specific pattern. First is listed an abbreviated interrupt type, then the (optional) number of that interrupt followed by either an "E" for enable/disable bit or "F" for request flag.

Function	Enable Bit	Request Flag	Notes
Global	EMI	—	—
INTn Pins	INTnE	INTnF	n=0 ~ 3
A/D Converter	ADE	ADF	—
Multi-function	MFnE	MFnF	n=0 ~ 9
Comparator	CPnE	CPnF	n=0 ~ 1
Time Base	TBnE	TBnF	n=0 ~ 1
LVD	LVE	LVF	—
EEPROM write operation	DEE	DEF	—
SIM	SIME	SIMF	—
SPIA	SPIAE	SPIAF	—
UART	URnE	URnF	n=0 ~ 1 (HT67F2350/HT67F2360) n=0 ~ 2 (HT67F2370/HT67F2390)
PTM	PTMnPE	PTMnPF	n=0 ~ 7
	PTMnAE	PTMnAF	
STM	STMnPE	STMnPF	n=0 ~ 2
	STMnAE	STMnAF	

Interrupt Register Bit Naming Conventions

Register Name	Bit							
	7	6	5	4	3	2	1	0
INTEG	INT3S1	INT3S0	INT2S1	INT2S0	INT1S1	INT1S0	INT0S1	INT0S0
INTC0	—	MF6F	INT1F	INT0F	MF6E	INT1E	INT0E	EMI
INTC1	ADF	MF1F	MF0F	MF7F	ADE	MF1E	MF0E	MF7E
INTC2	MF3F	MF9F	MF8F	MF2F	MF3E	MF9E	MF8E	MF2E
INTC3	MF5F	MF4F	INT3F	INT2F	MF5E	MF4E	INT3E	INT2E
MF10	STM0AF	STM0PF	PTM0AF	PTM0PF	STM0AE	STM0PE	PTM0AE	PTM0PE
MF11	STM1AF	STM1PF	PTM1AF	PTM1PF	STM1AE	STM1PE	PTM1AE	PTM1PE
MF12	—	—	PTM2AF	PTM2PF	—	—	PTM2AE	PTM2PE
MF13	SIMF	SPIAF	DEF	LVF	SIME	SPIAE	DEE	LVE
MF14	STM2AF	STM2PF	PTM3AF	PTM3PF	STM2AE	STM2PE	PTM3AE	PTM3PE
MF15 (HT67F2350/ HT67F2360)	—	—	UR1F	UR0F	—	—	UR1E	UR0E
MF15 (HT67F2370/ HT67F2390)	—	UR2F	UR1F	UR0F	—	UR2E	UR1E	UR0E
MF16	—	CP0F	PTM4AF	PTM4PF	—	CP0E	PTM4AE	PTM4PE
MF17	—	CP1F	PTM5AF	PTM5PF	—	CP1E	PTM5AE	PTM5PE
MF18	—	TB0F	PTM6AF	PTM6PF	—	TB0E	PTM6AE	PTM6PE
MF19	—	TB1F	PTM7AF	PTM7PF	—	TB1E	PTM7AE	PTM7PE

Interrupt Registers List

INTEG Register

Bit	7	6	5	4	3	2	1	0
Name	INT3S1	INT3S0	INT2S1	INT2S0	INT1S1	INT1S0	INT0S1	INT0S0
R/W	R/W	R/W	R/W	R/W	R/W	R/W	R/W	R/W
POR	0	0	0	0	0	0	0	0

- Bit 7~6 **INT3S1~INT3S0**: Interrupt edge control for INT3 pin
00: Disable
01: Rising edge
10: Falling edge
11: Rising and falling edges
- Bit 5~4 **INT2S1~INT2S0**: Interrupt edge control for INT2 pin
00: Disable
01: Rising edge
10: Falling edge
11: Rising and falling edges
- Bit 3~2 **INT1S1~INT1S0**: Interrupt edge control for INT1 pin
00: Disable
01: Rising edge
10: Falling edge
11: Rising and falling edges
- Bit 1~0 **INT0S1~INT0S0**: Interrupt edge control for INT0 pin
00: Disable
01: Rising edge
10: Falling edge
11: Rising and falling edges

INTC0 Register

Bit	7	6	5	4	3	2	1	0
Name	—	MF6F	INT1F	INT0F	MF6E	INT1E	INT0E	EMI
R/W	—	R/W	R/W	R/W	R/W	R/W	R/W	R/W
POR	—	0	0	0	0	0	0	0

- Bit 7 Unimplemented, read as "0"
- Bit 6 **MF6F**: Multi-function 6 interrupt request flag
 0: No request
 1: Interrupt request
- Bit 5 **INT1F**: INT1 interrupt request flag
 0: No request
 1: Interrupt request
- Bit 4 **INT0F**: INT0 interrupt request flag
 0: No request
 1: Interrupt request
- Bit 3 **MF6E**: Multi-function 6 interrupt control
 0: Disable
 1: Enable
- Bit 2 **INT1E**: INT1 interrupt control
 0: Disable
 1: Enable
- Bit 1 **INT0E**: INT0 interrupt control
 0: Disable
 1: Enable
- Bit 0 **EMI**: Global interrupt control
 0: Disable
 1: Enable

INTC1 Register

Bit	7	6	5	4	3	2	1	0
Name	ADF	MF1F	MF0F	MF7F	ADE	MF1E	MF0E	MF7E
R/W	R/W	R/W	R/W	R/W	R/W	R/W	R/W	R/W
POR	0	0	0	0	0	0	0	0

- Bit 7 **ADF**: A/D Converter interrupt request flag
 0: No request
 1: Interrupt request
- Bit 6 **MF1F**: Multi-function 1 interrupt request flag
 0: No request
 1: Interrupt request
- Bit 5 **MF0F**: Multi-function 0 interrupt request flag
 0: No request
 1: Interrupt request
- Bit 4 **MF7F**: Multi-function 7 interrupt request flag
 0: No request
 1: Interrupt request
- Bit 3 **ADE**: A/D Converter interrupt control
 0: Disable
 1: Enable
- Bit 2 **MF1E**: Multi-function 1 interrupt control
 0: Disable
 1: Enable

- Bit 1 **MF0E**: Multi-function 0 interrupt control
 0: Disable
 1: Enable

- Bit 0 **MF7E**: Multi-function 7 interrupt control
 0: Disable
 1: Enable

INTC2 Register

Bit	7	6	5	4	3	2	1	0
Name	MF3F	MF9F	MF8F	MF2F	MF3E	MF9E	MF8E	MF2E
R/W	R/W	R/W	R/W	R/W	R/W	R/W	R/W	R/W
POR	0	0	0	0	0	0	0	0

- Bit 7 **MF3F**: Multi-function 3 interrupt request flag
 0: No request
 1: Interrupt request

- Bit 6 **MF9F**: Multi-function 9 interrupt request flag
 0: No request
 1: Interrupt request

- Bit 5 **MF8F**: Multi-function 8 interrupt request flag
 0: No request
 1: Interrupt request

- Bit 4 **MF2F**: Multi-function 2 interrupt request flag
 0: No request
 1: Interrupt request

- Bit 3 **MF3E**: Multi-function 3 interrupt control
 0: Disable
 1: Enable

- Bit 2 **MF9E**: Multi-function 9 interrupt control
 0: Disable
 1: Enable

- Bit 1 **MF8E**: Multi-function 8 interrupt control
 0: Disable
 1: Enable

- Bit 0 **MF2E**: Multi-function 2 interrupt control
 0: Disable
 1: Enable

INTC3 Register

Bit	7	6	5	4	3	2	1	0
Name	MF5F	MF4F	INT3F	INT2F	MF5E	MF4E	INT3E	INT2E
R/W	R/W	R/W	R/W	R/W	R/W	R/W	R/W	R/W
POR	0	0	0	0	0	0	0	0

- Bit 7 **MF5F**: Multi-function 5 interrupt request flag
 0: No request
 1: Interrupt request

- Bit 6 **MF4F**: Multi-function 4 interrupt request flag
 0: No request
 1: Interrupt request

- Bit 5 **INT3F**: INT3 interrupt request flag
 0: No request
 1: Interrupt request

- Bit 4 **INT2F**: INT2 interrupt request flag
 0: No request
 1: Interrupt request
- Bit 3 **MF5E**: Multi-function 5 interrupt control
 0: Disable
 1: Enable
- Bit 2 **MF4E**: Multi-function 4 interrupt control
 0: Disable
 1: Enable
- Bit 1 **INT3E**: INT3 interrupt control
 0: Disable
 1: Enable
- Bit 0 **INT2E**: INT2 interrupt control
 0: Disable
 1: Enable

MF10 Register

Bit	7	6	5	4	3	2	1	0
Name	STM0AF	STM0PF	PTM0AF	PTM0PF	STM0AE	STM0PE	PTM0AE	PTM0PE
R/W	R/W	R/W	R/W	R/W	R/W	R/W	R/W	R/W
POR	0	0	0	0	0	0	0	0

- Bit 7 **STM0AF**: STM0 Comparator A match Interrupt request flag
 0: No request
 1: Interrupt request
- Bit 6 **STM0PF**: STM0 Comparator P match Interrupt request flag
 0: No request
 1: Interrupt request
- Bit 5 **PTM0AF**: PTM0 Comparator A match Interrupt request flag
 0: No request
 1: Interrupt request
- Bit 4 **PTM0PF**: PTM0 Comparator P match Interrupt request flag
 0: No request
 1: Interrupt request
- Bit 3 **STM0AE**: STM0 Comparator A match Interrupt control
 0: Disable
 1: Enable
- Bit 2 **STM0PE**: STM0 Comparator P match Interrupt control
 0: Disable
 1: Enable
- Bit 1 **PTM0AE**: PTM0 Comparator A match Interrupt control
 0: Disable
 1: Enable
- Bit 0 **PTM0PE**: PTM0 Comparator P match Interrupt control
 0: Disable
 1: Enable

MFI1 Register

Bit	7	6	5	4	3	2	1	0
Name	STM1AF	STM1PF	PTM1AF	PTM1PF	STM1AE	STM1PE	PTM1AE	PTM1PE
R/W	R/W	R/W	R/W	R/W	R/W	R/W	R/W	R/W
POR	0	0	0	0	0	0	0	0

- Bit 7 **STM1AF**: STM1 Comparator A match Interrupt request flag
0: No request
1: Interrupt request
- Bit 6 **STM1PF**: STM1 Comparator P match Interrupt request flag
0: No request
1: Interrupt request
- Bit 5 **PTM1AF**: PTM1 Comparator A match Interrupt request flag
0: No request
1: Interrupt request
- Bit 4 **PTM1PF**: PTM1 Comparator P match Interrupt request flag
0: No request
1: Interrupt request
- Bit 3 **STM1AE**: STM1 Comparator A match Interrupt control
0: Disable
1: Enable
- Bit 2 **STM1PE**: STM1 Comparator P match Interrupt control
0: Disable
1: Enable
- Bit 1 **PTM1AE**: PTM1 Comparator A match Interrupt control
0: Disable
1: Enable
- Bit 0 **PTM1PE**: PTM1 Comparator P match Interrupt control
0: Disable
1: Enable

MFI2 Register

Bit	7	6	5	4	3	2	1	0
Name	—	—	PTM2AF	PTM2PF	—	—	PTM2AE	PTM2PE
R/W	—	—	R/W	R/W	—	—	R/W	R/W
POR	—	—	0	0	—	—	0	0

- Bit 7~6 Unimplemented, read as "0"
- Bit 5 **PTM2AF**: PTM2 Comparator A match Interrupt request flag
0: No request
1: Interrupt request
- Bit 4 **PTM2PF**: PTM2 Comparator P match Interrupt request flag
0: No request
1: Interrupt request
- Bit 3~2 Unimplemented, read as "0"
- Bit 1 **PTM2AE**: PTM2 Comparator A match Interrupt control
0: Disable
1: Enable
- Bit 0 **PTM2PE**: PTM2 Comparator P match Interrupt control
0: Disable
1: Enable

MFI3 Register

Bit	7	6	5	4	3	2	1	0
Name	SIMF	SPIAF	DEF	LVF	SIME	SPIAE	DEE	LVE
R/W	R/W	R/W	R/W	R/W	R/W	R/W	R/W	R/W
POR	0	0	0	0	0	0	0	0

- Bit 7 **SIMF**: SIM Interrupt request flag
 0: No request
 1: Interrupt request
- Bit 6 **SPIAF**: SPIA Interrupt request flag
 0: No request
 1: Interrupt request
- Bit 5 **DEF**: Data EEPROM Interrupt request flag
 0: No request
 1: Interrupt request
- Bit 4 **LVF**: LVD Interrupt request flag
 0: No request
 1: Interrupt request
- Bit 3 **SIME**: SIM Interrupt control
 0: Disable
 1: Enable
- Bit 2 **SPIAE**: SPIA Interrupt control
 0: Disable
 1: Enable
- Bit 1 **DEE**: Data EEPROM Interrupt control
 0: Disable
 1: Enable
- Bit 0 **LVE**: LVD Interrupt control
 0: Disable
 1: Enable

MFI4 Register

Bit	7	6	5	4	3	2	1	0
Name	STM2AF	STM2PF	PTM3AF	PTM3PF	STM2AE	STM2PE	PTM3AE	PTM3PE
R/W	R/W	R/W	R/W	R/W	R/W	R/W	R/W	R/W
POR	0	0	0	0	0	0	0	0

- Bit 7 **STM2AF**: STM2 Comparator A match Interrupt request flag
 0: No request
 1: Interrupt request
- Bit 6 **STM2PF**: STM2 Comparator P match Interrupt request flag
 0: No request
 1: Interrupt request
- Bit 5 **PTM3AF**: PTM3 Comparator A match Interrupt request flag
 0: No request
 1: Interrupt request
- Bit 4 **PTM3PF**: PTM3 Comparator P match Interrupt request flag
 0: No request
 1: Interrupt request
- Bit 3 **STM2AE**: STM2 Comparator A match Interrupt control
 0: Disable
 1: Enable

- Bit 2 **STM2PE**: STM2 Comparator P match Interrupt control
 0: Disable
 1: Enable
- Bit 1 **PTM3AE**: PTM3 Comparator A match Interrupt control
 0: Disable
 1: Enable
- Bit 0 **PTM3PE**: PTM3 Comparator P match Interrupt control
 0: Disable
 1: Enable

MF15 Register – HT67F2350/HT67F2360

Bit	7	6	5	4	3	2	1	0
Name	—	—	UR1F	UR0F	—	—	UR1E	UR0E
R/W	—	—	R/W	R/W	—	—	R/W	R/W
POR	—	—	0	0	—	—	0	0

- Bit 7~6 Unimplemented, read as "0"
- Bit 5 **UR1F**: UART1 transfer interrupt request flag
 0: No request
 1: Interrupt request
- Bit 4 **UR0F**: UART0 transfer interrupt request flag
 0: No request
 1: Interrupt request
- Bit 3~2 Unimplemented, read as "0"
- Bit 1 **UR1E**: UART1 transfer interrupt control
 0: Disable
 1: Enable
- Bit 0 **UR0E**: UART0 transfer interrupt control
 0: Disable
 1: Enable

MF15 Register – HT67F2370/HT67F2390

Bit	7	6	5	4	3	2	1	0
Name	—	UR2F	UR1F	UR0F	—	UR2E	UR1E	UR0E
R/W	—	R/W	R/W	R/W	—	R/W	R/W	R/W
POR	—	0	0	0	—	0	0	0

- Bit 7 Unimplemented, read as "0"
- Bit 6 **UR2F**: UART2 transfer interrupt request flag
 0: No request
 1: Interrupt request
- Bit 5 **UR1F**: UART1 transfer interrupt request flag
 0: No request
 1: Interrupt request
- Bit 4 **UR0F**: UART0 transfer interrupt request flag
 0: No request
 1: Interrupt request
- Bit 3 Unimplemented, read as "0"
- Bit 2 **UR2E**: UART2 transfer interrupt control
 0: Disable
 1: Enable

- Bit 1 **UR1E**: UART1 transfer interrupt control
0: Disable
1: Enable
- Bit 0 **UR0E**: UART0 transfer interrupt control
0: Disable
1: Enable

MFI6 Register

Bit	7	6	5	4	3	2	1	0
Name	—	CP0F	PTM4AF	PTM4PF	—	CP0E	PTM4AE	PTM4PE
R/W	—	R/W	R/W	R/W	—	R/W	R/W	R/W
POR	—	0	0	0	—	0	0	0

- Bit 7 Unimplemented, read as "0"
- Bit 6 **CP0F**: Comparator 0 interrupt request flag
0: No request
1: Interrupt request
- Bit 5 **PTM4AF**: PTM4 Comparator A match Interrupt request flag
0: No request
1: Interrupt request
- Bit 4 **PTM4PF**: PTM4 Comparator P match Interrupt request flag
0: No request
1: Interrupt request
- Bit 3 Unimplemented, read as "0"
- Bit 2 **CP0E**: Comparator 0 interrupt control
0: Disable
1: Enable
- Bit 1 **PTM4AE**: PTM4 Comparator A match Interrupt control
0: Disable
1: Enable
- Bit 0 **PTM4PE**: PTM4 Comparator P match Interrupt control
0: Disable
1: Enable

MFI7 Register

Bit	7	6	5	4	3	2	1	0
Name	—	CP1F	PTM5AF	PTM5PF	—	CP1E	PTM5AE	PTM5PE
R/W	—	R/W	R/W	R/W	—	R/W	R/W	R/W
POR	—	0	0	0	—	0	0	0

- Bit 7 Unimplemented, read as "0"
- Bit 6 **CP1F**: Comparator 1 interrupt request flag
0: No request
1: Interrupt request
- Bit 5 **PTM5AF**: PTM5 Comparator A match Interrupt request flag
0: No request
1: Interrupt request
- Bit 4 **PTM5PF**: PTM5 Comparator P match Interrupt request flag
0: No request
1: Interrupt request
- Bit 3 Unimplemented, read as "0"

- Bit 2 **CP1E**: Comparator 1 interrupt control
 0: Disable
 1: Enable
- Bit 1 **PTM5AE**: PTM5 Comparator A match Interrupt control
 0: Disable
 1: Enable
- Bit 0 **PTM5PE**: PTM5 Comparator P match Interrupt control
 0: Disable
 1: Enable

MF18 Register

Bit	7	6	5	4	3	2	1	0
Name	—	TB0F	PTM6AF	PTM6PF	—	TB0E	PTM6AE	PTM6PE
R/W	—	R/W	R/W	R/W	—	R/W	R/W	R/W
POR	—	0	0	0	—	0	0	0

- Bit 7 Unimplemented, read as "0"
- Bit 6 **TB0F**: Time Base 0 interrupt request flag
 0: No request
 1: Interrupt request
- Bit 5 **PTM6AF**: PTM6 Comparator A match Interrupt request flag
 0: No request
 1: Interrupt request
- Bit 4 **PTM6PF**: PTM6 Comparator P match Interrupt request flag
 0: No request
 1: Interrupt request
- Bit 3 Unimplemented, read as "0"
- Bit 2 **TB0E**: Time Base 0 interrupt control
 0: Disable
 1: Enable
- Bit 1 **PTM6AE**: PTM6 Comparator A match Interrupt control
 0: Disable
 1: Enable
- Bit 0 **PTM6PE**: PTM6 Comparator P match Interrupt control
 0: Disable
 1: Enable

MF19 Register

Bit	7	6	5	4	3	2	1	0
Name	—	TB1F	PTM7AF	PTM7PF	—	TB1E	PTM7AE	PTM7PE
R/W	—	R/W	R/W	R/W	—	R/W	R/W	R/W
POR	—	0	0	0	—	0	0	0

- Bit 7 Unimplemented, read as "0"
- Bit 6 **TB1F**: Time Base 1 interrupt request flag
 0: No request
 1: Interrupt request
- Bit 5 **PTM7AF**: PTM7 Comparator A match Interrupt request flag
 0: No request
 1: Interrupt request
- Bit 4 **PTM7PF**: PTM7 Comparator P match Interrupt request flag
 0: No request
 1: Interrupt request

Bit 3	Unimplemented, read as "0"
Bit 2	TB1E : Time Base 1 interrupt control 0: Disable 1: Enable
Bit 1	PTM7AE : PTM7 Comparator A match Interrupt control 0: Disable 1: Enable
Bit 0	PTM7PE : PTM7 Comparator P match Interrupt control 0: Disable 1: Enable

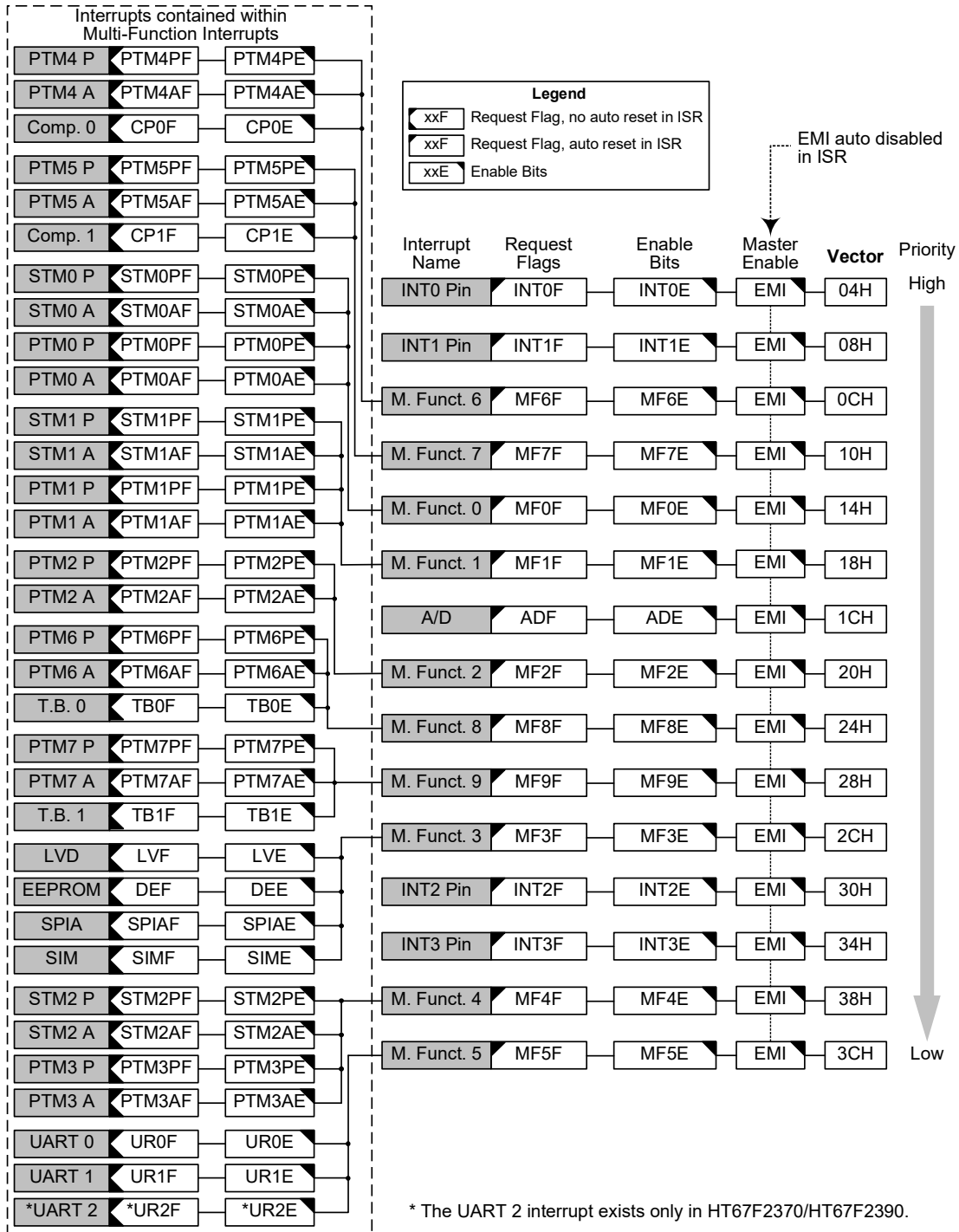
Interrupt Operation

When the conditions for an interrupt event occur, such as a TM Comparator P or Comparator A or A/D conversion completion, etc, the relevant interrupt request flag will be set. Whether the request flag actually generates a program jump to the relevant interrupt vector is determined by the condition of the interrupt enable bit. If the enable bit is set high then the program will jump to its relevant vector; if the enable bit is zero then although the interrupt request flag is set an actual interrupt will not be generated and the program will not jump to the relevant interrupt vector. The global interrupt enable bit, if cleared to zero, will disable all interrupts.

When an interrupt is generated, the Program Counter, which stores the address of the next instruction to be executed, will be transferred onto the stack. The Program Counter will then be loaded with a new address which will be the value of the corresponding interrupt vector. The microcontroller will then fetch its next instruction from this interrupt vector. The instruction at this vector will usually be a JMP which will jump to another section of program which is known as the interrupt service routine. Here is located the code to control the appropriate interrupt. The interrupt service routine must be terminated with a RETI, which retrieves the original Program Counter address from the stack and allows the microcontroller to continue with normal execution at the point where the interrupt occurred.

The various interrupt enable bits, together with their associated request flags, are shown in the accompanying diagrams with their order of priority. Some interrupt sources have their own individual vector while others share the same multi-function interrupt vector. Once an interrupt subroutine is serviced, all other interrupts will be blocked, as the global interrupt enable bit, EMI bit will be cleared automatically. This will prevent any further interrupt nesting from occurring. However, if other interrupt requests occur during this interval, although the interrupt will not be immediately serviced, the request flag will still be recorded.

If an interrupt requires immediate servicing while the program is already in another interrupt service routine, the EMI bit should be set after entering the routine to allow interrupt nesting. If the stack is full, the interrupt request will not be acknowledged, even if the related interrupt is enabled, until the Stack Pointer is decremented. If immediate service is desired, the stack must be prevented from becoming full. In case of simultaneous requests, the accompanying diagram shows the priority that is applied. All of the interrupt request flags when set will wake-up the device if it is in SLEEP or IDLE Mode, however to prevent a wake-up from occurring the corresponding flag should be set before the device is in SLEEP or IDLE Mode.



Interrupt Scheme

External Interrupt

The external interrupts are controlled by signal transitions on the pins INT0~INT3. An external interrupt request will take place when the external interrupt request flags, INT0F~INT3F, are set, which will occur when a transition, whose type is chosen by the edge select bits, appears on the external interrupt pins. To allow the program to branch to its respective interrupt vector address, the global interrupt enable bit, EMI, and respective external interrupt enable bit, INT0E~INT3E, must first be set. Additionally the correct interrupt edge type must be selected using the INTEG register to enable the external interrupt function and to choose the trigger edge type. As the external interrupt pins are pin-shared with I/O pins, they can only be configured as external interrupt pins if their external interrupt enable bit in the corresponding interrupt register has been set and the external interrupt pin is selected by the corresponding pin-shared function selection bits. The pin must also be setup as an input by setting the corresponding bit in the port control register. When the interrupt is enabled, the stack is not full and the correct transition type appears on the external interrupt pin, a subroutine call to the external interrupt vector, will take place. When the interrupt is serviced, the external interrupt request flags, INT0F~INT3F, will be automatically reset and the EMI bit will be automatically cleared to disable other interrupts. Note that any pull-high resistor selections on the external interrupt pins will remain valid even if the pin is used as an external interrupt input.

The INTEG register is used to select the type of active edge that will trigger the external interrupt. A choice of either rising or falling or both edge types can be chosen to trigger an external interrupt. Note that the INTEG register can also be used to disable the external interrupt function.

Multi-function Interrupt

Within the device there are up to ten Multi-function interrupts. Unlike the other independent interrupts, these interrupts have no independent source, but rather are formed from other existing interrupt sources, namely the TM interrupts, LVD interrupt, EEPROM write operation interrupt, SIM interface interrupt, SPIA interface interrupt, UART interface interrupts, Comparator interrupts and Time Base interrupts.

A Multi-function interrupt request will take place when any of the Multi-function interrupt request flags MFnF are set. The Multi-function interrupt flags will be set when any of their included functions generate an interrupt request flag. To allow the program to branch to its respective interrupt vector address, when the Multi-function interrupt is enabled and the stack is not full, and either one of the interrupts contained within each of Multi-function interrupt occurs, a subroutine call to one of the Multi-function interrupt vectors will take place. When the interrupt is serviced, the related Multi-Function request flag will be automatically reset and the EMI bit will be automatically cleared to disable other interrupts.

However, it must be noted that, although the Multi-function Interrupt request flags will be automatically reset when the interrupt is serviced, the request flags from the original source of the Multi-function interrupts will not be automatically reset and must be manually reset by the application program.

A/D Converter Interrupt

The A/D Converter Interrupt is controlled by the termination of an A/D conversion process. An A/D Converter Interrupt request will take place when the A/D Converter Interrupt request flag, ADF, is set, which occurs when the A/D conversion process finishes. To allow the program to branch to its respective interrupt vector address, the global interrupt enable bit, EMI, and A/D Interrupt enable bit, ADE, must first be set. When the interrupt is enabled, the stack is not full and the A/D conversion process has ended, a subroutine call to the A/D Converter Interrupt vector, will take place. When the interrupt is serviced, the A/D Converter Interrupt flag, ADF, will be automatically cleared. The EMI bit will also be automatically cleared to disable other interrupts.

TM Interrupt

The Standard and Periodic TMs have two interrupts, one comes from the comparator A match situation and the other comes from the comparator P match situation. All of the TM interrupts are contained within the Multi-function Interrupts. For all of the TM types there are two interrupt request flags and two enable control bits. A TM interrupt request will take place when any of the TM request flags are set, a situation which occurs when a TM comparator P or A match situation happens.

To allow the program to branch to its respective interrupt vector address, the global interrupt enable bit, EMI, respective TM Interrupt enable bit, and relevant Multi-function Interrupt enable bit, MFnE, must first be set. When the interrupt is enabled, the stack is not full and a TM comparator match situation occurs, a subroutine call to the relevant Multi-function Interrupt vector locations, will take place. When the TM interrupt is serviced, the EMI bit will be automatically cleared to disable other interrupts. However, only the related MFnF flag will be automatically cleared. As the TM interrupt request flags will not be automatically cleared, they have to be cleared by the application program.

LVD Interrupt

The Low Voltage Detector Interrupt is contained within the Multi-function Interrupt. An LVD Interrupt request will take place when the LVD Interrupt request flag, LVF, is set, which occurs when the Low Voltage Detector function detects a low power supply voltage. To allow the program to branch to its respective interrupt vector address, the global interrupt enable bit, EMI, Low Voltage Interrupt enable bit, LVE, and associated Multi-function interrupt enable bit, must first be set. When the interrupt is enabled, the stack is not full and a low voltage condition occurs, a subroutine call to the Multi-function Interrupt vector, will take place. When the Low Voltage Interrupt is serviced, the EMI bit will be automatically cleared to disable other interrupts. However, only the Multi-function interrupt request flag will be also automatically cleared. As the LVF flag will not be automatically cleared, it has to be cleared by the application program.

EEPROM Interrupt

The EEPROM Write Interrupt is contained within the Multi-function Interrupt. An EEPROM Write Interrupt request will take place when the EEPROM Write Interrupt request flag, DEF, is set, which occurs when an EEPROM Write cycle ends. To allow the program to branch to its respective interrupt vector address, the global interrupt enable bit, EMI, EEPROM Write Interrupt enable bit, DEE, and associated Multi-function interrupt enable bit must first be set. When the interrupt is enabled, the stack is not full and an EEPROM Write cycle ends, a subroutine call to the respective Multi-function Interrupt vector will take place. When the EEPROM Write Interrupt is serviced, the EMI bit will be automatically cleared to disable other interrupts. However, only the Multi-function interrupt request flag will be automatically cleared. As the DEF flag will not be automatically cleared, it has to be cleared by the application program.

Serial Interface Module Interrupt

The Serial Interface Module Interrupt, also known as the SIM interrupt, is contained within the Multi-function Interrupt. A SIM Interrupt request will take place when the SIM Interrupt request flag, SIMF, is set, which occurs when a byte of data has been received or transmitted by the SIM interface, an I²C slave address match or I²C bus time-out occurrence. To allow the program to branch to its respective interrupt vector address, the global interrupt enable bit, EMI, the Serial Interface Interrupt enable bit, SIME, and Multi-function interrupt enable bit must first be set. When the interrupt is enabled, the stack is not full and any of the above described situations occurs, a subroutine call to the respective Multi-function Interrupt vector, will take place. When the Serial Interface Interrupt is serviced, the EMI bit will be automatically cleared to disable other interrupts, however only the Multi-function interrupt request flag will be also automatically cleared. As the SIMF flag will not be automatically cleared, it has to be cleared by the application program.

SPIA Interface Interrupt

The SPIA Interface Module Interrupt is contained within the Multi-function Interrupt. A SPIA Interrupt request will take place when the SPIA Interrupt request flag, SPIAF, is set, which occurs when a byte of data has been received or transmitted by the SPIA interface. To allow the program to branch to its respective interrupt vector address, the global interrupt enable bit, EMI, the Serial Interface Interrupt enable bit, SPIAE, and Multi-function interrupt enable bit must first be set. When the interrupt is enabled, the stack is not full and a byte of data has been transmitted or received by the SPIA interface, a subroutine call to the respective Multi-function Interrupt vector, will take place. When the SPIA Interface Interrupt is serviced, the EMI bit will be automatically cleared to disable other interrupts. However, only the Multi-function interrupt request flag will be automatically cleared. As the SPIAF flag will not be automatically cleared, it has to be cleared by the application program.

UART Transfer Interrupt

The UART Transfer Interrupt is contained within the Multi-function interrupt and controlled by several UARTn transfer conditions. When one of these conditions occurs, an interrupt pulse will be generated to get the attention of the microcontroller. These conditions are a transmitter data register empty, transmitter idle, receiver data available, receiver overrun, address detect and an RXn pin wake-up. To allow the program to branch to its respective interrupt vector address, the global interrupt enable bit, EMI, UART Interrupt enable bit, URnE, and Multi-function interrupt enable bit must first be set. When the interrupt is enabled, the stack is not full and any of the conditions described above occurs, a subroutine call to the corresponding Multi-function Interrupt vector, will take place. When the UARTn interrupt is serviced, the EMI bit will be automatically cleared to disable other interrupts. However, only the Multi-function interrupt request flag will be automatically cleared. As the UARTn Interrupt flag, URnF, will not be automatically cleared, it has to be cleared by the application program.

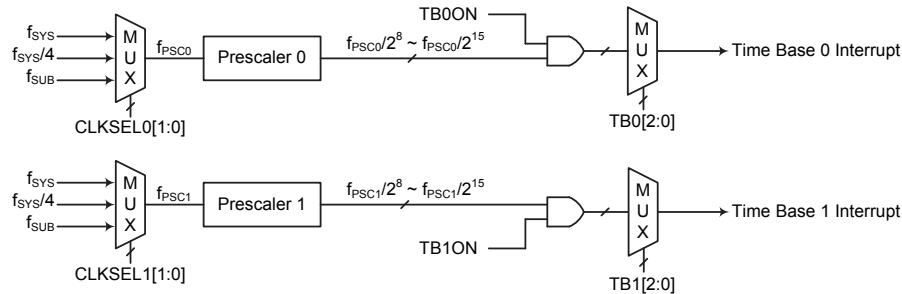
Comparator Interrupt

The comparator interrupt is contained within the Multi-function interrupt and controlled by the relevant internal comparators. A comparator interrupt request will take place when the comparator interrupt request flags, CP0F or CP1F, are set, which occurs when the comparator output bit changes state. To allow the program to branch to its respective interrupt vector address, the global interrupt enable bit, EMI, comparator interrupt enable bit, CP0E or CP1E, and Multi-function interrupt enable bit must first be set. When the interrupt is enabled, the stack is not full and the comparator inputs generate a comparator output transition, a subroutine call to the Multi-function interrupt vector, will take place. When the Comparator interrupt is serviced, the EMI bit will be automatically cleared to disable other interrupts. Also the corresponding Multi-function interrupt request flag will be automatically reset. As the CPnF flag will not be automatically cleared, it has to be cleared by the application program.

Time Base Interrupt

The function of the Time Base Interrupt is to provide regular time signal in the form of an internal interrupt. It is contained within the Multi-function interrupt and controlled by the overflow signal from its internal timer. When this happens its interrupt request flag, TBnF, will be set. To allow the program to branch to its respective interrupt vector addresses, the global interrupt enable bit, EMI, Time Base enable bit, TBnE, and Multi-function interrupt enable bit must first be set. When the interrupt is enabled, the stack is not full and the Time Base overflows, a subroutine call to its respective Multi-function interrupt vector location will take place. When the interrupt is serviced, the EMI bit will automatically be cleared to disable other interrupts. Also the corresponding Multi-function interrupt request flag will be automatically reset. As the interrupt request flag, TBnF, will not be automatically reset, it has to be cleared by the application program.

The purpose of the Time Base Interrupt is to provide an interrupt signal at fixed time periods. Its clock source, f_{PSC0} or f_{PSC1} , originates from the internal clock source f_{SYS} , $f_{SYS}/4$ or f_{SUB} and then passes through a divider, the division ratio of which is selected by programming the appropriate bits in the TB0C and TB1C registers to obtain longer interrupt periods whose value ranges. The clock source which in turn controls the Time Base interrupt period is selected using the CLKSEL0[1:0] and CLKSEL1[1:0] bits in the PSC0R and PSC1R register respectively.



Time Base Interrupts

PSC0R Register

Bit	7	6	5	4	3	2	1	0
Name	—	—	—	—	—	—	CLKSEL01	CLKSEL00
R/W	—	—	—	—	—	—	R/W	R/W
POR	—	—	—	—	—	—	0	0

Bit 7~2 Unimplemented, read as "0"

Bit 1~0 **CLKSEL01~CLKSEL00:** Prescaler 0 clock source f_{PSC0} selection

00: f_{SYS}

01: $f_{SYS}/4$

1x: f_{SUB}

PSC1R Register

Bit	7	6	5	4	3	2	1	0
Name	—	—	—	—	—	—	CLKSEL11	CLKSEL10
R/W	—	—	—	—	—	—	R/W	R/W
POR	—	—	—	—	—	—	0	0

Bit 7~2 Unimplemented, read as "0"

Bit 1~0 **CLKSEL11~CLKSEL10**: Prescaler 1 clock source f_{PSC1} selection
 00: f_{SYS}
 01: $f_{SYS}/4$
 1x: f_{SUB}

TB0C Register

Bit	7	6	5	4	3	2	1	0
Name	TB0ON	—	—	—	—	TB02	TB01	TB00
R/W	R/W	—	—	—	—	R/W	R/W	R/W
POR	0	—	—	—	—	0	0	0

Bit 7 **TB0ON**: Time Base 0 Enable Control
 0: Disable
 1: Enable

Bit 6~3 Unimplemented, read as "0"

Bit 2~0 **TB02~TB00**: Time Base 0 time-out period selection
 000: $2^8/f_{PSC0}$
 001: $2^9/f_{PSC0}$
 010: $2^{10}/f_{PSC0}$
 011: $2^{11}/f_{PSC0}$
 100: $2^{12}/f_{PSC0}$
 101: $2^{13}/f_{PSC0}$
 110: $2^{14}/f_{PSC0}$
 111: $2^{15}/f_{PSC0}$

TB1C Register

Bit	7	6	5	4	3	2	1	0
Name	TB1ON	—	—	—	—	TB12	TB11	TB10
R/W	R/W	—	—	—	—	R/W	R/W	R/W
POR	0	—	—	—	—	0	0	0

Bit 7 **TB1ON**: Time Base 1 Enable Control
 0: Disable
 1: Enable

Bit 6~3 Unimplemented, read as "0"

Bit 2~0 **TB12~TB10**: Time Base 1 time-out period selection
 000: $2^8/f_{PSC1}$
 001: $2^9/f_{PSC1}$
 010: $2^{10}/f_{PSC1}$
 011: $2^{11}/f_{PSC1}$
 100: $2^{12}/f_{PSC1}$
 101: $2^{13}/f_{PSC1}$
 110: $2^{14}/f_{PSC1}$
 111: $2^{15}/f_{PSC1}$

Interrupt Wake-up Function

Each of the interrupt functions has the capability of waking up the microcontroller when in the SLEEP or IDLE Mode. A wake-up is generated when an interrupt request flag changes from low to high and is independent of whether the interrupt is enabled or not. Therefore, even though these devices are in the SLEEP or IDLE Mode and its system oscillator stopped, situations such as external edge transitions on the external interrupt pins, a low power supply voltage or comparator input change may cause their respective interrupt flag to be set high and consequently generate an interrupt. Care must therefore be taken if spurious wake-up situations are to be avoided. If an interrupt wake-up function is to be disabled then the corresponding interrupt request flag should be set high before the device enters the SLEEP or IDLE Mode. The interrupt enable bits have no effect on the interrupt wake-up function.

Programming Considerations

By disabling the relevant interrupt enable bits, a requested interrupt can be prevented from being serviced, however, once an interrupt request flag is set, it will remain in this condition in the interrupt register until the corresponding interrupt is serviced or until the request flag is cleared by the application program.

Where a certain interrupt is contained within a Multi-function interrupt, then when the interrupt service routine is executed, as only the Multi-function interrupt request flags, MFnF, will be automatically cleared, the individual request flag for the function needs to be cleared by the application program.

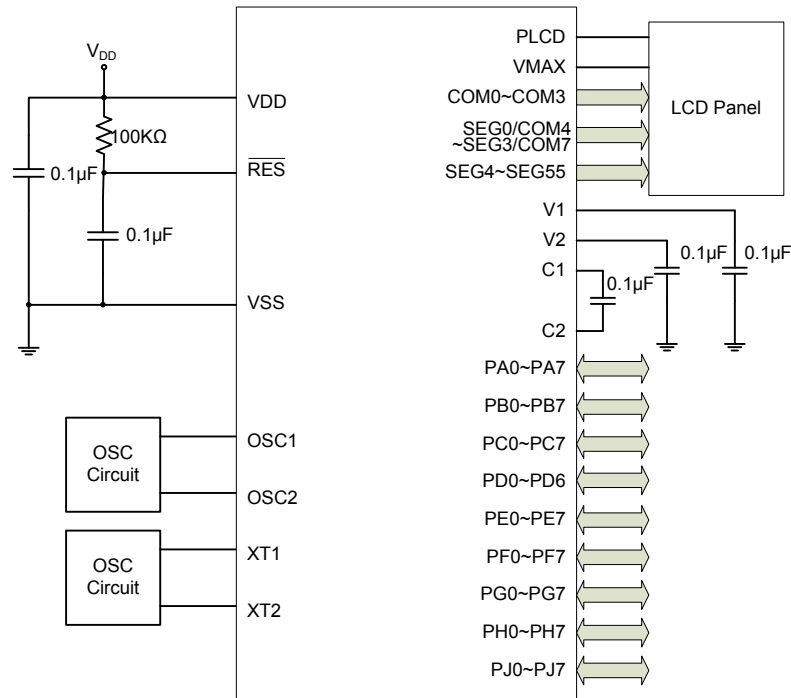
It is recommended that programs do not use the "CALL" instruction within the interrupt service subroutine. Interrupts often occur in an unpredictable manner or need to be serviced immediately. If only one stack is left and the interrupt is not well controlled, the original control sequence will be damaged once a CALL subroutine is executed in the interrupt subroutine.

Every interrupt has the capability of waking up the microcontroller when it is in the SLEEP or IDLE Mode, the wake up being generated when the interrupt request flag changes from low to high. If it is required to prevent a certain interrupt from waking up the microcontroller then its respective request flag should be first set high before enter SLEEP or IDLE Mode.

As only the Program Counter is pushed onto the stack, then when the interrupt is serviced, if the contents of the accumulator, status register or other registers are altered by the interrupt service program, their contents should be saved to the memory at the beginning of the interrupt service routine.

To return from an interrupt subroutine, either a RET or RETI instruction may be executed. The RETI instruction in addition to executing a return to the main program also automatically sets the EMI bit high to allow further interrupts. The RET instruction however only executes a return to the main program leaving the EMI bit in its present zero state and therefore disabling the execution of further interrupts.

Application Circuits



Instruction Set

Introduction

Central to the successful operation of any microcontroller is its instruction set, which is a set of program instruction codes that directs the microcontroller to perform certain operations. In the case of Holtek microcontroller, a comprehensive and flexible set of over 60 instructions is provided to enable programmers to implement their application with the minimum of programming overheads.

For easier understanding of the various instruction codes, they have been subdivided into several functional groupings.

Instruction Timing

Most instructions are implemented within one instruction cycle. The exceptions to this are branch, call, or table read instructions where two instruction cycles are required. One instruction cycle is equal to 4 system clock cycles, therefore in the case of an 8MHz system oscillator, most instructions would be implemented within 0.5 μ s and branch or call instructions would be implemented within 1 μ s. Although instructions which require one more cycle to implement are generally limited to the JMP, CALL, RET, RETI and table read instructions, it is important to realize that any other instructions which involve manipulation of the Program Counter Low register or PCL will also take one more cycle to implement. As instructions which change the contents of the PCL will imply a direct jump to that new address, one more cycle will be required. Examples of such instructions would be “CLR PCL” or “MOV PCL, A”. For the case of skip instructions, it must be noted that if the result of the comparison involves a skip operation then this will also take one more cycle, if no skip is involved then only one cycle is required.

Moving and Transferring Data

The transfer of data within the microcontroller program is one of the most frequently used operations. Making use of several kinds of MOV instructions, data can be transferred from registers to the Accumulator and vice-versa as well as being able to move specific immediate data directly into the Accumulator. One of the most important data transfer applications is to receive data from the input ports and transfer data to the output ports.

Arithmetic Operations

The ability to perform certain arithmetic operations and data manipulation is a necessary feature of most microcontroller applications. Within the Holtek microcontroller instruction set are a range of add and subtract instruction mnemonics to enable the necessary arithmetic to be carried out. Care must be taken to ensure correct handling of carry and borrow data when results exceed 255 for addition and less than 0 for subtraction. The increment and decrement instructions such as INC, INCA, DEC and DECA provide a simple means of increasing or decreasing by a value of one of the values in the destination specified.

Logical and Rotate Operation

The standard logical operations such as AND, OR, XOR and CPL all have their own instruction within the Holtek microcontroller instruction set. As with the case of most instructions involving data manipulation, data must pass through the Accumulator which may involve additional programming steps. In all logical data operations, the zero flag may be set if the result of the operation is zero. Another form of logical data manipulation comes from the rotate instructions such as RR, RL, RRC and RLC which provide a simple means of rotating one bit right or left. Different rotate instructions exist depending on program requirements. Rotate instructions are useful for serial port programming applications where data can be rotated from an internal register into the Carry bit from where it can be examined and the necessary serial bit set high or low. Another application which rotate data operations are used is to implement multiplication and division calculations.

Branches and Control Transfer

Program branching takes the form of either jumps to specified locations using the JMP instruction or to a subroutine using the CALL instruction. They differ in the sense that in the case of a subroutine call, the program must return to the instruction immediately when the subroutine has been carried out. This is done by placing a return instruction “RET” in the subroutine which will cause the program to jump back to the address right after the CALL instruction. In the case of a JMP instruction, the program simply jumps to the desired location. There is no requirement to jump back to the original jumping off point as in the case of the CALL instruction. One special and extremely useful set of branch instructions are the conditional branches. Here a decision is first made regarding the condition of a certain data memory or individual bits. Depending upon the conditions, the program will continue with the next instruction or skip over it and jump to the following instruction. These instructions are the key to decision making and branching within the program perhaps determined by the condition of certain input switches or by the condition of internal data bits.

Bit Operations

The ability to provide single bit operations on Data Memory is an extremely flexible feature of all Holtek microcontrollers. This feature is especially useful for output port bit programming where individual bits or port pins can be directly set high or low using either the “SET [m].i” or “CLR [m].i” instructions respectively. The feature removes the need for programmers to first read the 8-bit output port, manipulate the input data to ensure that other bits are not changed and then output the port with the correct new data. This read-modify-write process is taken care of automatically when these bit operation instructions are used.

Table Read Operations

Data storage is normally implemented by using registers. However, when working with large amounts of fixed data, the volume involved often makes it inconvenient to store the fixed data in the Data Memory. To overcome this problem, Holtek microcontrollers allow an area of Program Memory to be setup as a table where data can be directly stored. A set of easy to use instructions provides the means by which this fixed data can be referenced and retrieved from the Program Memory.

Other Operations

In addition to the above functional instructions, a range of other instructions also exist such as the “HALT” instruction for Power-down operations and instructions to control the operation of the Watchdog Timer for reliable program operations under extreme electric or electromagnetic environments. For their relevant operations, refer to the functional related sections.

Instruction Set Summary

The instructions related to the data memory access in the following table can be used when the desired data memory is located in Data Memory sector 0.

Table Conventions

x: Bits immediate data
m: Data Memory address
A: Accumulator
i: 0~7 number of bits
addr: Program memory address

Mnemonic	Description	Cycles	Flag Affected
Arithmetic			
ADD A,[m]	Add Data Memory to ACC	1	Z, C, AC, OV, SC
ADDM A,[m]	Add ACC to Data Memory	↑Note	Z, C, AC, OV, SC
ADD A,x	Add immediate data to ACC	1	Z, C, AC, OV, SC
ADC A,[m]	Add Data Memory to ACC with Carry	1	Z, C, AC, OV, SC
ADCM A,[m]	Add ACC to Data memory with Carry	↑Note	Z, C, AC, OV, SC
SUB A,x	Subtract immediate data from the ACC	1	Z, C, AC, OV, SC, CZ
SUB A,[m]	Subtract Data Memory from ACC	1	Z, C, AC, OV, SC, CZ
SUBM A,[m]	Subtract Data Memory from ACC with result in Data Memory	↑Note	Z, C, AC, OV, SC, CZ
SBC A,x	Subtract immediate data from ACC with Carry	1	Z, C, AC, OV, SC, CZ
SBC A,[m]	Subtract Data Memory from ACC with Carry	1	Z, C, AC, OV, SC, CZ
SBCM A,[m]	Subtract Data Memory from ACC with Carry, result in Data Memory	↑Note	Z, C, AC, OV, SC, CZ
DAA [m]	Decimal adjust ACC for Addition with result in Data Memory	↑Note	C
Logic Operation			
AND A,[m]	Logical AND Data Memory to ACC	1	Z
OR A,[m]	Logical OR Data Memory to ACC	1	Z
XOR A,[m]	Logical XOR Data Memory to ACC	1	Z
ANDM A,[m]	Logical AND ACC to Data Memory	↑Note	Z
ORM A,[m]	Logical OR ACC to Data Memory	↑Note	Z
XORM A,[m]	Logical XOR ACC to Data Memory	↑Note	Z
AND A,x	Logical AND immediate Data to ACC	1	Z
OR A,x	Logical OR immediate Data to ACC	1	Z
XOR A,x	Logical XOR immediate Data to ACC	1	Z
CPL [m]	Complement Data Memory	↑Note	Z
CPLA [m]	Complement Data Memory with result in ACC	1	Z
Increment & Decrement			
INCA [m]	Increment Data Memory with result in ACC	1	Z
INC [m]	Increment Data Memory	↑Note	Z
DECA [m]	Decrement Data Memory with result in ACC	1	Z
DEC [m]	Decrement Data Memory	↑Note	Z
Rotate			
RRA [m]	Rotate Data Memory right with result in ACC	1	None
RR [m]	Rotate Data Memory right	↑Note	None
RRCA [m]	Rotate Data Memory right through Carry with result in ACC	1	C
RRC [m]	Rotate Data Memory right through Carry	↑Note	C
RLA [m]	Rotate Data Memory left with result in ACC	1	None
RL [m]	Rotate Data Memory left	↑Note	None
RLCA [m]	Rotate Data Memory left through Carry with result in ACC	1	C
RLC [m]	Rotate Data Memory left through Carry	↑Note	C

Mnemonic	Description	Cycles	Flag Affected
Data Move			
MOV A,[m]	Move Data Memory to ACC	1	None
MOV [m],A	Move ACC to Data Memory	1 ^{Note}	None
MOV A,x	Move immediate data to ACC	1	None
Bit Operation			
CLR [m].i	Clear bit of Data Memory	1 ^{Note}	None
SET [m].i	Set bit of Data Memory	1 ^{Note}	None
Branch Operation			
JMP addr	Jump unconditionally	2	None
SZ [m]	Skip if Data Memory is zero	1 ^{Note}	None
SZA [m]	Skip if Data Memory is zero with data movement to ACC	1 ^{Note}	None
SZ [m].i	Skip if bit i of Data Memory is zero	1 ^{Note}	None
SNZ [m]	Skip if Data Memory is not zero	1 ^{Note}	None
SNZ [m].i	Skip if bit i of Data Memory is not zero	1 ^{Note}	None
SIZ [m]	Skip if increment Data Memory is zero	1 ^{Note}	None
SDZ [m]	Skip if decrement Data Memory is zero	1 ^{Note}	None
SIZA [m]	Skip if increment Data Memory is zero with result in ACC	1 ^{Note}	None
SDZA [m]	Skip if decrement Data Memory is zero with result in ACC	1 ^{Note}	None
CALL addr	Subroutine call	2	None
RET	Return from subroutine	2	None
RET A,x	Return from subroutine and load immediate data to ACC	2	None
RETI	Return from interrupt	2	None
Table Read Operation			
TABRD [m]	Read table (specific page) to TBLH and Data Memory	2 ^{Note}	None
TABRDL [m]	Read table (last page) to TBLH and Data Memory	2 ^{Note}	None
ITABRD [m]	Increment table pointer TBLP first and Read table (specific page) to TBLH and Data Memory	2 ^{Note}	None
ITABRDL [m]	Increment table pointer TBLP first and Read table (last page) to TBLH and Data Memory	2 ^{Note}	None
Miscellaneous			
NOP	No operation	1	None
CLR [m]	Clear Data Memory	1 ^{Note}	None
SET [m]	Set Data Memory	1 ^{Note}	None
CLR WDT	Clear Watchdog Timer	1	TO, PDF
SWAP [m]	Swap nibbles of Data Memory	1 ^{Note}	None
SWAPA [m]	Swap nibbles of Data Memory with result in ACC	1	None
HALT	Enter power down mode	1	TO, PDF

Note: 1. For skip instructions, if the result of the comparison involves a skip then two cycles are required, if no skip takes place only one cycle is required.

2. Any instruction which changes the contents of the PCL will also require 2 cycles for execution.

Extended Instruction Set

The extended instructions are used to support the full range address access for the data memory. When the accessed data memory is located in any data memory sector except sector 0, the extended instruction can be used to directly access the data memory instead of using the indirect addressing access. This can not only reduce the use of Flash memory space but also improve the CPU execution efficiency.

Mnemonic	Description	Cycles	Flag Affected
Arithmetic			
LADD A,[m]	Add Data Memory to ACC	2	Z, C, AC, OV, SC
LADDM A,[m]	Add ACC to Data Memory	2 ^{Note}	Z, C, AC, OV, SC
LADC A,[m]	Add Data Memory to ACC with Carry	2	Z, C, AC, OV, SC
LADCM A,[m]	Add ACC to Data memory with Carry	2 ^{Note}	Z, C, AC, OV, SC
LSUB A,[m]	Subtract Data Memory from ACC	2	Z, C, AC, OV, SC, CZ
LSUBM A,[m]	Subtract Data Memory from ACC with result in Data Memory	2 ^{Note}	Z, C, AC, OV, SC, CZ
LSBC A,[m]	Subtract Data Memory from ACC with Carry	2	Z, C, AC, OV, SC, CZ
LSBCM A,[m]	Subtract Data Memory from ACC with Carry, result in Data Memory	2 ^{Note}	Z, C, AC, OV, SC, CZ
LDAA [m]	Decimal adjust ACC for Addition with result in Data Memory	2 ^{Note}	C
Logic Operation			
LAND A,[m]	Logical AND Data Memory to ACC	2	Z
LOR A,[m]	Logical OR Data Memory to ACC	2	Z
LXOR A,[m]	Logical XOR Data Memory to ACC	2	Z
LANDM A,[m]	Logical AND ACC to Data Memory	2 ^{Note}	Z
LORM A,[m]	Logical OR ACC to Data Memory	2 ^{Note}	Z
LXORM A,[m]	Logical XOR ACC to Data Memory	2 ^{Note}	Z
LCPL [m]	Complement Data Memory	2 ^{Note}	Z
LCPLA [m]	Complement Data Memory with result in ACC	2	Z
Increment & Decrement			
LINCA [m]	Increment Data Memory with result in ACC	2	Z
LINC [m]	Increment Data Memory	2 ^{Note}	Z
LDECA [m]	Decrement Data Memory with result in ACC	2	Z
LDEC [m]	Decrement Data Memory	2 ^{Note}	Z
Rotate			
LRRRA [m]	Rotate Data Memory right with result in ACC	2	None
LRR [m]	Rotate Data Memory right	2 ^{Note}	None
LRRCA [m]	Rotate Data Memory right through Carry with result in ACC	2	C
LRRC [m]	Rotate Data Memory right through Carry	2 ^{Note}	C
LRLA [m]	Rotate Data Memory left with result in ACC	2	None
LRL [m]	Rotate Data Memory left	2 ^{Note}	None
LRLCA [m]	Rotate Data Memory left through Carry with result in ACC	2	C
LRLC [m]	Rotate Data Memory left through Carry	2 ^{Note}	C
Data Move			
LMOV A,[m]	Move Data Memory to ACC	2	None
LMOV [m],A	Move ACC to Data Memory	2 ^{Note}	None
Bit Operation			
LCLR [m].i	Clear bit of Data Memory	2 ^{Note}	None
LSET [m].i	Set bit of Data Memory	2 ^{Note}	None

Mnemonic	Description	Cycles	Flag Affected
Branch			
LSZ [m]	Skip if Data Memory is zero	2 ^{Note}	None
LSZA [m]	Skip if Data Memory is zero with data movement to ACC	2 ^{Note}	None
LSNZ [m]	Skip if Data Memory is not zero	2 ^{Note}	None
LSZ [m].i	Skip if bit i of Data Memory is zero	2 ^{Note}	None
LSNZ [m].i	Skip if bit i of Data Memory is not zero	2 ^{Note}	None
LSIZ [m]	Skip if increment Data Memory is zero	2 ^{Note}	None
LSDZ [m]	Skip if decrement Data Memory is zero	2 ^{Note}	None
LSIZA [m]	Skip if increment Data Memory is zero with result in ACC	2 ^{Note}	None
LSDZA [m]	Skip if decrement Data Memory is zero with result in ACC	2 ^{Note}	None
Table Read			
LTABRD [m]	Read table (specific page) to TBLH and Data Memory	3 ^{Note}	None
LTABRDL [m]	Read table (last page) to TBLH and Data Memory	3 ^{Note}	None
LITABRD [m]	Increment table pointer TBLP first and Read table (specific page) to TBLH and Data Memory	3 ^{Note}	None
LITABRDL [m]	Increment table pointer TBLP first and Read table (last page) to TBLH and Data Memory	3 ^{Note}	None
Miscellaneous			
LCLR [m]	Clear Data Memory	2 ^{Note}	None
LSET [m]	Set Data Memory	2 ^{Note}	None
LSWAP [m]	Swap nibbles of Data Memory	2 ^{Note}	None
LSWAPA [m]	Swap nibbles of Data Memory with result in ACC	2	None

Note: 1. For these extended skip instructions, if the result of the comparison involves a skip then three cycles are required, if no skip takes place two cycles is required.

2. Any extended instruction which changes the contents of the PCL register will also require three cycles for execution.

Instruction Definition

ADC A,[m]	Add Data Memory to ACC with Carry
Description	The contents of the specified Data Memory, Accumulator and the carry flag are added. The result is stored in the Accumulator.
Operation	$ACC \leftarrow ACC + [m] + C$
Affected flag(s)	OV, Z, AC, C, SC
ADCM A,[m]	Add ACC to Data Memory with Carry
Description	The contents of the specified Data Memory, Accumulator and the carry flag are added. The result is stored in the specified Data Memory.
Operation	$[m] \leftarrow ACC + [m] + C$
Affected flag(s)	OV, Z, AC, C, SC
ADD A,[m]	Add Data Memory to ACC
Description	The contents of the specified Data Memory and the Accumulator are added. The result is stored in the Accumulator.
Operation	$ACC \leftarrow ACC + [m]$
Affected flag(s)	OV, Z, AC, C, SC
ADD A,x	Add immediate data to ACC
Description	The contents of the Accumulator and the specified immediate data are added. The result is stored in the Accumulator.
Operation	$ACC \leftarrow ACC + x$
Affected flag(s)	OV, Z, AC, C, SC
ADDM A,[m]	Add ACC to Data Memory
Description	The contents of the specified Data Memory and the Accumulator are added. The result is stored in the specified Data Memory.
Operation	$[m] \leftarrow ACC + [m]$
Affected flag(s)	OV, Z, AC, C, SC
AND A,[m]	Logical AND Data Memory to ACC
Description	Data in the Accumulator and the specified Data Memory perform a bitwise logical AND operation. The result is stored in the Accumulator.
Operation	$ACC \leftarrow ACC \text{ "AND" } [m]$
Affected flag(s)	Z
AND A,x	Logical AND immediate data to ACC
Description	Data in the Accumulator and the specified immediate data perform a bit wise logical AND operation. The result is stored in the Accumulator.
Operation	$ACC \leftarrow ACC \text{ "AND" } x$
Affected flag(s)	Z
ANDM A,[m]	Logical AND ACC to Data Memory
Description	Data in the specified Data Memory and the Accumulator perform a bitwise logical AND operation. The result is stored in the Data Memory.
Operation	$[m] \leftarrow ACC \text{ "AND" } [m]$
Affected flag(s)	Z

CALL addr	Subroutine call
Description	Unconditionally calls a subroutine at the specified address. The Program Counter then increments by 1 to obtain the address of the next instruction which is then pushed onto the stack. The specified address is then loaded and the program continues execution from this new address. As this instruction requires an additional operation, it is a two cycle instruction.
Operation	Stack ← Program Counter + 1 Program Counter ← addr
Affected flag(s)	None
CLR [m]	Clear Data Memory
Description	Each bit of the specified Data Memory is cleared to 0.
Operation	[m] ← 00H
Affected flag(s)	None
CLR [m].i	Clear bit of Data Memory
Description	Bit i of the specified Data Memory is cleared to 0.
Operation	[m].i ← 0
Affected flag(s)	None
CLR WDT	Clear Watchdog Timer
Description	The TO, PDF flags and the WDT are all cleared.
Operation	WDT cleared TO ← 0 PDF ← 0
Affected flag(s)	TO, PDF
CPL [m]	Complement Data Memory
Description	Each bit of the specified Data Memory is logically complemented (1's complement). Bits which previously contained a 1 are changed to 0 and vice versa.
Operation	[m] ← $\overline{[m]}$
Affected flag(s)	Z
CPLA [m]	Complement Data Memory with result in ACC
Description	Each bit of the specified Data Memory is logically complemented (1's complement). Bits which previously contained a 1 are changed to 0 and vice versa. The complemented result is stored in the Accumulator and the contents of the Data Memory remain unchanged.
Operation	ACC ← $\overline{[m]}$
Affected flag(s)	Z
DAA [m]	Decimal-Adjust ACC for addition with result in Data Memory
Description	Convert the contents of the Accumulator value to a BCD (Binary Coded Decimal) value resulting from the previous addition of two BCD variables. If the low nibble is greater than 9 or if AC flag is set, then a value of 6 will be added to the low nibble. Otherwise the low nibble remains unchanged. If the high nibble is greater than 9 or if the C flag is set, then a value of 6 will be added to the high nibble. Essentially, the decimal conversion is performed by adding 00H, 06H, 60H or 66H depending on the Accumulator and flag conditions. Only the C flag may be affected by this instruction which indicates that if the original BCD sum is greater than 100, it allows multiple precision decimal addition.
Operation	[m] ← ACC + 00H or [m] ← ACC + 06H or [m] ← ACC + 60H or [m] ← ACC + 66H
Affected flag(s)	C

DEC [m]	Decrement Data Memory
Description	Data in the specified Data Memory is decremented by 1.
Operation	$[m] \leftarrow [m] - 1$
Affected flag(s)	Z
DECA [m]	Decrement Data Memory with result in ACC
Description	Data in the specified Data Memory is decremented by 1. The result is stored in the Accumulator. The contents of the Data Memory remain unchanged.
Operation	$ACC \leftarrow [m] - 1$
Affected flag(s)	Z
HALT	Enter power down mode
Description	This instruction stops the program execution and turns off the system clock. The contents of the Data Memory and registers are retained. The WDT and prescaler are cleared. The power down flag PDF is set and the WDT time-out flag TO is cleared.
Operation	$TO \leftarrow 0$ $PDF \leftarrow 1$
Affected flag(s)	TO, PDF
INC [m]	Increment Data Memory
Description	Data in the specified Data Memory is incremented by 1.
Operation	$[m] \leftarrow [m] + 1$
Affected flag(s)	Z
INCA [m]	Increment Data Memory with result in ACC
Description	Data in the specified Data Memory is incremented by 1. The result is stored in the Accumulator. The contents of the Data Memory remain unchanged.
Operation	$ACC \leftarrow [m] + 1$
Affected flag(s)	Z
JMP addr	Jump unconditionally
Description	The contents of the Program Counter are replaced with the specified address. Program execution then continues from this new address. As this requires the insertion of a dummy instruction while the new address is loaded, it is a two cycle instruction.
Operation	Program Counter \leftarrow addr
Affected flag(s)	None
MOV A,[m]	Move Data Memory to ACC
Description	The contents of the specified Data Memory are copied to the Accumulator.
Operation	$ACC \leftarrow [m]$
Affected flag(s)	None
MOV A,x	Move immediate data to ACC
Description	The immediate data specified is loaded into the Accumulator.
Operation	$ACC \leftarrow x$
Affected flag(s)	None
MOV [m],A	Move ACC to Data Memory
Description	The contents of the Accumulator are copied to the specified Data Memory.
Operation	$[m] \leftarrow ACC$
Affected flag(s)	None

NOP	No operation
Description	No operation is performed. Execution continues with the next instruction.
Operation	No operation
Affected flag(s)	None
OR A,[m]	Logical OR Data Memory to ACC
Description	Data in the Accumulator and the specified Data Memory perform a bitwise logical OR operation. The result is stored in the Accumulator.
Operation	ACC ← ACC "OR" [m]
Affected flag(s)	Z
OR A,x	Logical OR immediate data to ACC
Description	Data in the Accumulator and the specified immediate data perform a bitwise logical OR operation. The result is stored in the Accumulator.
Operation	ACC ← ACC "OR" x
Affected flag(s)	Z
ORM A,[m]	Logical OR ACC to Data Memory
Description	Data in the specified Data Memory and the Accumulator perform a bitwise logical OR operation. The result is stored in the Data Memory.
Operation	[m] ← ACC "OR" [m]
Affected flag(s)	Z
RET	Return from subroutine
Description	The Program Counter is restored from the stack. Program execution continues at the restored address.
Operation	Program Counter ← Stack
Affected flag(s)	None
RET A,x	Return from subroutine and load immediate data to ACC
Description	The Program Counter is restored from the stack and the Accumulator loaded with the specified immediate data. Program execution continues at the restored address.
Operation	Program Counter ← Stack ACC ← x
Affected flag(s)	None
RETI	Return from interrupt
Description	The Program Counter is restored from the stack and the interrupts are re-enabled by setting the EMI bit. EMI is the master interrupt global enable bit. If an interrupt was pending when the RETI instruction is executed, the pending Interrupt routine will be processed before returning to the main program.
Operation	Program Counter ← Stack EMI ← 1
Affected flag(s)	None
RL [m]	Rotate Data Memory left
Description	The contents of the specified Data Memory are rotated left by 1 bit with bit 7 rotated into bit 0.
Operation	[m].(i+1) ← [m].i; (i=0~6) [m].0 ← [m].7
Affected flag(s)	None

RLA [m]	Rotate Data Memory left with result in ACC
Description	The contents of the specified Data Memory are rotated left by 1 bit with bit 7 rotated into bit 0. The rotated result is stored in the Accumulator and the contents of the Data Memory remain unchanged.
Operation	ACC.(i+1) ← [m].i; (i=0~6) ACC.0 ← [m].7
Affected flag(s)	None
RLC [m]	Rotate Data Memory left through Carry
Description	The contents of the specified Data Memory and the carry flag are rotated left by 1 bit. Bit 7 replaces the Carry bit and the original carry flag is rotated into bit 0.
Operation	[m].(i+1) ← [m].i; (i=0~6) [m].0 ← C C ← [m].7
Affected flag(s)	C
RLCA [m]	Rotate Data Memory left through Carry with result in ACC
Description	Data in the specified Data Memory and the carry flag are rotated left by 1 bit. Bit 7 replaces the Carry bit and the original carry flag is rotated into the bit 0. The rotated result is stored in the Accumulator and the contents of the Data Memory remain unchanged.
Operation	ACC.(i+1) ← [m].i; (i=0~6) ACC.0 ← C C ← [m].7
Affected flag(s)	C
RR [m]	Rotate Data Memory right
Description	The contents of the specified Data Memory are rotated right by 1 bit with bit 0 rotated into bit 7.
Operation	[m].i ← [m].(i+1); (i=0~6) [m].7 ← [m].0
Affected flag(s)	None
RRA [m]	Rotate Data Memory right with result in ACC
Description	Data in the specified Data Memory is rotated right by 1 bit with bit 0 rotated into bit 7. The rotated result is stored in the Accumulator and the contents of the Data Memory remain unchanged.
Operation	ACC.i ← [m].(i+1); (i=0~6) ACC.7 ← [m].0
Affected flag(s)	None
RRC [m]	Rotate Data Memory right through Carry
Description	The contents of the specified Data Memory and the carry flag are rotated right by 1 bit. Bit 0 replaces the Carry bit and the original carry flag is rotated into bit 7.
Operation	[m].i ← [m].(i+1); (i=0~6) [m].7 ← C C ← [m].0
Affected flag(s)	C

RRCA [m]	Rotate Data Memory right through Carry with result in ACC
Description	Data in the specified Data Memory and the carry flag are rotated right by 1 bit. Bit 0 replaces the Carry bit and the original carry flag is rotated into bit 7. The rotated result is stored in the Accumulator and the contents of the Data Memory remain unchanged.
Operation	ACC.i ← [m].(i+1); (i=0~6) ACC.7 ← C C ← [m].0
Affected flag(s)	C
SBC A,[m]	Subtract Data Memory from ACC with Carry
Description	The contents of the specified Data Memory and the complement of the carry flag are subtracted from the Accumulator. The result is stored in the Accumulator. Note that if the result of subtraction is negative, the C flag will be cleared to 0, otherwise if the result is positive or zero, the C flag will be set to 1.
Operation	ACC ← ACC – [m] – \bar{C}
Affected flag(s)	OV, Z, AC, C, SC, CZ
SBC A, x	Subtract immediate data from ACC with Carry
Description	The immediate data and the complement of the carry flag are subtracted from the Accumulator. The result is stored in the Accumulator. Note that if the result of subtraction is negative, the C flag will be cleared to 0, otherwise if the result is positive or zero, the C flag will be set to 1.
Operation	ACC ← ACC – [m] – \bar{C}
Affected flag(s)	OV, Z, AC, C, SC, CZ
SBCM A,[m]	Subtract Data Memory from ACC with Carry and result in Data Memory
Description	The contents of the specified Data Memory and the complement of the carry flag are subtracted from the Accumulator. The result is stored in the Data Memory. Note that if the result of subtraction is negative, the C flag will be cleared to 0, otherwise if the result is positive or zero, the C flag will be set to 1.
Operation	[m] ← ACC – [m] – \bar{C}
Affected flag(s)	OV, Z, AC, C, SC, CZ
SDZ [m]	Skip if decrement Data Memory is 0
Description	The contents of the specified Data Memory are first decremented by 1. If the result is 0 the following instruction is skipped. As this requires the insertion of a dummy instruction while the next instruction is fetched, it is a two cycle instruction. If the result is not 0 the program proceeds with the following instruction.
Operation	[m] ← [m] – 1 Skip if [m]=0
Affected flag(s)	None
SDZA [m]	Skip if decrement Data Memory is zero with result in ACC
Description	The contents of the specified Data Memory are first decremented by 1. If the result is 0, the following instruction is skipped. The result is stored in the Accumulator but the specified Data Memory contents remain unchanged. As this requires the insertion of a dummy instruction while the next instruction is fetched, it is a two cycle instruction. If the result is not 0, the program proceeds with the following instruction.
Operation	ACC ← [m] – 1 Skip if ACC=0
Affected flag(s)	None

SET [m]	Set Data Memory
Description	Each bit of the specified Data Memory is set to 1.
Operation	$[m] \leftarrow FFH$
Affected flag(s)	None
SET [m].i	Set bit of Data Memory
Description	Bit i of the specified Data Memory is set to 1.
Operation	$[m].i \leftarrow 1$
Affected flag(s)	None
SIZ [m]	Skip if increment Data Memory is 0
Description	The contents of the specified Data Memory are first incremented by 1. If the result is 0, the following instruction is skipped. As this requires the insertion of a dummy instruction while the next instruction is fetched, it is a two cycle instruction. If the result is not 0 the program proceeds with the following instruction.
Operation	$[m] \leftarrow [m] + 1$ Skip if $[m]=0$
Affected flag(s)	None
SIZA [m]	Skip if increment Data Memory is zero with result in ACC
Description	The contents of the specified Data Memory are first incremented by 1. If the result is 0, the following instruction is skipped. The result is stored in the Accumulator but the specified Data Memory contents remain unchanged. As this requires the insertion of a dummy instruction while the next instruction is fetched, it is a two cycle instruction. If the result is not 0 the program proceeds with the following instruction.
Operation	$ACC \leftarrow [m] + 1$ Skip if $ACC=0$
Affected flag(s)	None
SNZ [m].i	Skip if bit i of Data Memory is not 0
Description	If bit i of the specified Data Memory is not 0, the following instruction is skipped. As this requires the insertion of a dummy instruction while the next instruction is fetched, it is a two cycle instruction. If the result is 0 the program proceeds with the following instruction.
Operation	Skip if $[m].i \neq 0$
Affected flag(s)	None
SNZ [m]	Skip if Data Memory is not 0
Description	The contents of the specified Data Memory are read out and then written back to the specified Data Memory again. If the specified Data Memory is not 0, the following instruction is skipped. As this requires the insertion of a dummy instruction while the next instruction is fetched, it is a two cycle instruction. If the result is 0 the program proceeds with the following instruction.
Operation	Skip if $[m] \neq 0$
Affected flag(s)	None
SUB A,[m]	Subtract Data Memory from ACC
Description	The specified Data Memory is subtracted from the contents of the Accumulator. The result is stored in the Accumulator. Note that if the result of subtraction is negative, the C flag will be cleared to 0, otherwise if the result is positive or zero, the C flag will be set to 1.
Operation	$ACC \leftarrow ACC - [m]$
Affected flag(s)	OV, Z, AC, C, SC, CZ

SUBM A,[m]	Subtract Data Memory from ACC with result in Data Memory
Description	The specified Data Memory is subtracted from the contents of the Accumulator. The result is stored in the Data Memory. Note that if the result of subtraction is negative, the C flag will be cleared to 0, otherwise if the result is positive or zero, the C flag will be set to 1.
Operation	$[m] \leftarrow ACC - [m]$
Affected flag(s)	OV, Z, AC, C, SC, CZ
SUB A,x	Subtract immediate data from ACC
Description	The immediate data specified by the code is subtracted from the contents of the Accumulator. The result is stored in the Accumulator. Note that if the result of subtraction is negative, the C flag will be cleared to 0, otherwise if the result is positive or zero, the C flag will be set to 1.
Operation	$ACC \leftarrow ACC - x$
Affected flag(s)	OV, Z, AC, C, SC, CZ
SWAP [m]	Swap nibbles of Data Memory
Description	The low-order and high-order nibbles of the specified Data Memory are interchanged.
Operation	$[m].3 \sim [m].0 \leftrightarrow [m].7 \sim [m].4$
Affected flag(s)	None
SWAPA [m]	Swap nibbles of Data Memory with result in ACC
Description	The low-order and high-order nibbles of the specified Data Memory are interchanged. The result is stored in the Accumulator. The contents of the Data Memory remain unchanged.
Operation	$ACC.3 \sim ACC.0 \leftarrow [m].7 \sim [m].4$ $ACC.7 \sim ACC.4 \leftarrow [m].3 \sim [m].0$
Affected flag(s)	None
SZ [m]	Skip if Data Memory is 0
Description	The contents of the specified Data Memory are read out and then written back to the specified Data Memory again. If the contents of the specified Data Memory is 0, the following instruction is skipped. As this requires the insertion of a dummy instruction while the next instruction is fetched, it is a two cycle instruction. If the result is not 0 the program proceeds with the following instruction.
Operation	Skip if $[m]=0$
Affected flag(s)	None
SZA [m]	Skip if Data Memory is 0 with data movement to ACC
Description	The contents of the specified Data Memory are copied to the Accumulator. If the value is zero, the following instruction is skipped. As this requires the insertion of a dummy instruction while the next instruction is fetched, it is a two cycle instruction. If the result is not 0 the program proceeds with the following instruction.
Operation	$ACC \leftarrow [m]$ Skip if $[m]=0$
Affected flag(s)	None
SZ [m].i	Skip if bit i of Data Memory is 0
Description	If bit i of the specified Data Memory is 0, the following instruction is skipped. As this requires the insertion of a dummy instruction while the next instruction is fetched, it is a two cycle instruction. If the result is not 0, the program proceeds with the following instruction.
Operation	Skip if $[m].i=0$
Affected flag(s)	None

TABRD [m]	Read table (specific page) to TBLH and Data Memory
Description	The low byte of the program code (specific page) addressed by the table pointer (TBLP and TBHP) is moved to the specified Data Memory and the high byte moved to TBLH.
Operation	[m] ← program code (low byte) TBLH ← program code (high byte)
Affected flag(s)	None
TABRDL [m]	Read table (last page) to TBLH and Data Memory
Description	The low byte of the program code (last page) addressed by the table pointer (TBLP) is moved to the specified Data Memory and the high byte moved to TBLH.
Operation	[m] ← program code (low byte) TBLH ← program code (high byte)
Affected flag(s)	None
ITABRD [m]	Increment table pointer low byte first and read table (specific page) to TBLH and Data Memory
Description	Increment table pointer low byte, TBLP, first and then the program code (specific page) addressed by the table pointer (TBHP and TBLP) is moved to the specified Data Memory and the high byte moved to TBLH.
Operation	[m] ← program code (low byte) TBLH ← program code (high byte)
Affected flag(s)	None
ITABRDL [m]	Increment table pointer low byte first and read table (last page) to TBLH and Data Memory
Description	Increment table pointer low byte, TBLP, first and then the low byte of the program code (last page) addressed by the table pointer (TBLP) is moved to the specified Data Memory and the high byte moved to TBLH.
Operation	[m] ← program code (low byte) TBLH ← program code (high byte)
Affected flag(s)	None
XOR A,[m]	Logical XOR Data Memory to ACC
Description	Data in the Accumulator and the specified Data Memory perform a bitwise logical XOR operation. The result is stored in the Accumulator.
Operation	ACC ← ACC "XOR" [m]
Affected flag(s)	Z
XORM A,[m]	Logical XOR ACC to Data Memory
Description	Data in the specified Data Memory and the Accumulator perform a bitwise logical XOR operation. The result is stored in the Data Memory.
Operation	[m] ← ACC "XOR" [m]
Affected flag(s)	Z
XOR A,x	Logical XOR immediate data to ACC
Description	Data in the Accumulator and the specified immediate data perform a bitwise logical XOR operation. The result is stored in the Accumulator.
Operation	ACC ← ACC "XOR" x
Affected flag(s)	Z

Extended Instruction Definition

The extended instructions are used to directly access the data stored in any data memory sections.

LADC A,[m]	Add Data Memory to ACC with Carry
Description	The contents of the specified Data Memory, Accumulator and the carry flag are added. The result is stored in the Accumulator.
Operation	$ACC \leftarrow ACC + [m] + C$
Affected flag(s)	OV, Z, AC, C, SC
LADCM A,[m]	Add ACC to Data Memory with Carry
Description	The contents of the specified Data Memory, Accumulator and the carry flag are added. The result is stored in the specified Data Memory.
Operation	$[m] \leftarrow ACC + [m] + C$
Affected flag(s)	OV, Z, AC, C, SC
LADD A,[m]	Add Data Memory to ACC
Description	The contents of the specified Data Memory and the Accumulator are added. The result is stored in the Accumulator.
Operation	$ACC \leftarrow ACC + [m]$
Affected flag(s)	OV, Z, AC, C, SC
LADDM A,[m]	Add ACC to Data Memory
Description	The contents of the specified Data Memory and the Accumulator are added. The result is stored in the specified Data Memory.
Operation	$[m] \leftarrow ACC + [m]$
Affected flag(s)	OV, Z, AC, C, SC
LAND A,[m]	Logical AND Data Memory to ACC
Description	Data in the Accumulator and the specified Data Memory perform a bitwise logical AND operation. The result is stored in the Accumulator.
Operation	$ACC \leftarrow ACC \text{ "AND" } [m]$
Affected flag(s)	Z
LANDM A,[m]	Logical AND ACC to Data Memory
Description	Data in the specified Data Memory and the Accumulator perform a bitwise logical AND operation. The result is stored in the Data Memory.
Operation	$[m] \leftarrow ACC \text{ "AND" } [m]$
Affected flag(s)	Z
LCLR [m]	Clear Data Memory
Description	Each bit of the specified Data Memory is cleared to 0.
Operation	$[m] \leftarrow 00H$
Affected flag(s)	None
LCLR [m].i	Clear bit of Data Memory
Description	Bit i of the specified Data Memory is cleared to 0.
Operation	$[m].i \leftarrow 0$
Affected flag(s)	None

LCPL [m]	Complement Data Memory
Description	Each bit of the specified Data Memory is logically complemented (1's complement). Bits which previously contained a 1 are changed to 0 and vice versa.
Operation	$[m] \leftarrow \overline{[m]}$
Affected flag(s)	Z
LCPLA [m]	Complement Data Memory with result in ACC
Description	Each bit of the specified Data Memory is logically complemented (1's complement). Bits which previously contained a 1 are changed to 0 and vice versa. The complemented result is stored in the Accumulator and the contents of the Data Memory remain unchanged.
Operation	$ACC \leftarrow \overline{[m]}$
Affected flag(s)	Z
LDAA [m]	Decimal-Adjust ACC for addition with result in Data Memory
Description	Convert the contents of the Accumulator value to a BCD (Binary Coded Decimal) value resulting from the previous addition of two BCD variables. If the low nibble is greater than 9 or if AC flag is set, then a value of 6 will be added to the low nibble. Otherwise the low nibble remains unchanged. If the high nibble is greater than 9 or if the C flag is set, then a value of 6 will be added to the high nibble. Essentially, the decimal conversion is performed by adding 00H, 06H, 60H or 66H depending on the Accumulator and flag conditions. Only the C flag may be affected by this instruction which indicates that if the original BCD sum is greater than 100, it allows multiple precision decimal addition.
Operation	$[m] \leftarrow ACC + 00H$ or $[m] \leftarrow ACC + 06H$ or $[m] \leftarrow ACC + 60H$ or $[m] \leftarrow ACC + 66H$
Affected flag(s)	C
LDEC [m]	Decrement Data Memory
Description	Data in the specified Data Memory is decremented by 1.
Operation	$[m] \leftarrow [m] - 1$
Affected flag(s)	Z
LDECA [m]	Decrement Data Memory with result in ACC
Description	Data in the specified Data Memory is decremented by 1. The result is stored in the Accumulator. The contents of the Data Memory remain unchanged.
Operation	$ACC \leftarrow [m] - 1$
Affected flag(s)	Z
LINC [m]	Increment Data Memory
Description	Data in the specified Data Memory is incremented by 1.
Operation	$[m] \leftarrow [m] + 1$
Affected flag(s)	Z
LINCA [m]	Increment Data Memory with result in ACC
Description	Data in the specified Data Memory is incremented by 1. The result is stored in the Accumulator. The contents of the Data Memory remain unchanged.
Operation	$ACC \leftarrow [m] + 1$
Affected flag(s)	Z

LMOV A,[m]	Move Data Memory to ACC
Description	The contents of the specified Data Memory are copied to the Accumulator.
Operation	$ACC \leftarrow [m]$
Affected flag(s)	None
LMOV [m],A	Move ACC to Data Memory
Description	The contents of the Accumulator are copied to the specified Data Memory.
Operation	$[m] \leftarrow ACC$
Affected flag(s)	None
LOR A,[m]	Logical OR Data Memory to ACC
Description	Data in the Accumulator and the specified Data Memory perform a bitwise logical OR operation. The result is stored in the Accumulator.
Operation	$ACC \leftarrow ACC \text{ "OR" } [m]$
Affected flag(s)	Z
LORM A,[m]	Logical OR ACC to Data Memory
Description	Data in the specified Data Memory and the Accumulator perform a bitwise logical OR operation. The result is stored in the Data Memory.
Operation	$[m] \leftarrow ACC \text{ "OR" } [m]$
Affected flag(s)	Z
LRL [m]	Rotate Data Memory left
Description	The contents of the specified Data Memory are rotated left by 1 bit with bit 7 rotated into bit 0.
Operation	$[m].(i+1) \leftarrow [m].i; (i=0\sim6)$ $[m].0 \leftarrow [m].7$
Affected flag(s)	None
LRLA [m]	Rotate Data Memory left with result in ACC
Description	The contents of the specified Data Memory are rotated left by 1 bit with bit 7 rotated into bit 0. The rotated result is stored in the Accumulator and the contents of the Data Memory remain unchanged.
Operation	$ACC.(i+1) \leftarrow [m].i; (i=0\sim6)$ $ACC.0 \leftarrow [m].7$
Affected flag(s)	None
LRLC [m]	Rotate Data Memory left through Carry
Description	The contents of the specified Data Memory and the carry flag are rotated left by 1 bit. Bit 7 replaces the Carry bit and the original carry flag is rotated into bit 0.
Operation	$[m].(i+1) \leftarrow [m].i; (i=0\sim6)$ $[m].0 \leftarrow C$ $C \leftarrow [m].7$
Affected flag(s)	C
LRLCA [m]	Rotate Data Memory left through Carry with result in ACC
Description	Data in the specified Data Memory and the carry flag are rotated left by 1 bit. Bit 7 replaces the Carry bit and the original carry flag is rotated into the bit 0. The rotated result is stored in the Accumulator and the contents of the Data Memory remain unchanged.
Operation	$ACC.(i+1) \leftarrow [m].i; (i=0\sim6)$ $ACC.0 \leftarrow C$ $C \leftarrow [m].7$
Affected flag(s)	C

LRR [m]	Rotate Data Memory right
Description	The contents of the specified Data Memory are rotated right by 1 bit with bit 0 rotated into bit 7.
Operation	$[m].i \leftarrow [m].(i+1); (i=0\sim6)$ $[m].7 \leftarrow [m].0$
Affected flag(s)	None
LRRRA [m]	Rotate Data Memory right with result in ACC
Description	Data in the specified Data Memory is rotated right by 1 bit with bit 0 rotated into bit 7. The rotated result is stored in the Accumulator and the contents of the Data Memory remain unchanged.
Operation	$ACC.i \leftarrow [m].(i+1); (i=0\sim6)$ $ACC.7 \leftarrow [m].0$
Affected flag(s)	None
LRRC [m]	Rotate Data Memory right through Carry
Description	The contents of the specified Data Memory and the carry flag are rotated right by 1 bit. Bit 0 replaces the Carry bit and the original carry flag is rotated into bit 7.
Operation	$[m].i \leftarrow [m].(i+1); (i=0\sim6)$ $[m].7 \leftarrow C$ $C \leftarrow [m].0$
Affected flag(s)	C
LRRCA [m]	Rotate Data Memory right through Carry with result in ACC
Description	Data in the specified Data Memory and the carry flag are rotated right by 1 bit. Bit 0 replaces the Carry bit and the original carry flag is rotated into bit 7. The rotated result is stored in the Accumulator and the contents of the Data Memory remain unchanged.
Operation	$ACC.i \leftarrow [m].(i+1); (i=0\sim6)$ $ACC.7 \leftarrow C$ $C \leftarrow [m].0$
Affected flag(s)	C
LSBC A,[m]	Subtract Data Memory from ACC with Carry
Description	The contents of the specified Data Memory and the complement of the carry flag are subtracted from the Accumulator. The result is stored in the Accumulator. Note that if the result of subtraction is negative, the C flag will be cleared to 0, otherwise if the result is positive or zero, the C flag will be set to 1.
Operation	$ACC \leftarrow ACC - [m] - \bar{C}$
Affected flag(s)	OV, Z, AC, C, SC, CZ
LSBCM A,[m]	Subtract Data Memory from ACC with Carry and result in Data Memory
Description	The contents of the specified Data Memory and the complement of the carry flag are subtracted from the Accumulator. The result is stored in the Data Memory. Note that if the result of subtraction is negative, the C flag will be cleared to 0, otherwise if the result is positive or zero, the C flag will be set to 1.
Operation	$[m] \leftarrow ACC - [m] - \bar{C}$
Affected flag(s)	OV, Z, AC, C, SC, CZ

LSDZ [m]	Skip if decrement Data Memory is 0
Description	The contents of the specified Data Memory are first decremented by 1. If the result is 0 the following instruction is skipped. As this requires the insertion of a dummy instruction while the next instruction is fetched, it is a three cycle instruction. If the result is not 0 the program proceeds with the following instruction.
Operation	$[m] \leftarrow [m] - 1$ Skip if $[m]=0$
Affected flag(s)	None
LSDZA [m]	Skip if decrement Data Memory is zero with result in ACC
Description	The contents of the specified Data Memory are first decremented by 1. If the result is 0, the following instruction is skipped. The result is stored in the Accumulator but the specified Data Memory contents remain unchanged. As this requires the insertion of a dummy instruction while the next instruction is fetched, it is a three cycle instruction. If the result is not 0, the program proceeds with the following instruction.
Operation	$ACC \leftarrow [m] - 1$ Skip if $ACC=0$
Affected flag(s)	None
LSET [m]	Set Data Memory
Description	Each bit of the specified Data Memory is set to 1.
Operation	$[m] \leftarrow FFH$
Affected flag(s)	None
LSET [m].i	Set bit of Data Memory
Description	Bit i of the specified Data Memory is set to 1.
Operation	$[m].i \leftarrow 1$
Affected flag(s)	None
LSIZ [m]	Skip if increment Data Memory is 0
Description	The contents of the specified Data Memory are first incremented by 1. If the result is 0, the following instruction is skipped. As this requires the insertion of a dummy instruction while the next instruction is fetched, it is a three cycle instruction. If the result is not 0 the program proceeds with the following instruction.
Operation	$[m] \leftarrow [m] + 1$ Skip if $[m]=0$
Affected flag(s)	None
LSIZA [m]	Skip if increment Data Memory is zero with result in ACC
Description	The contents of the specified Data Memory are first incremented by 1. If the result is 0, the following instruction is skipped. The result is stored in the Accumulator but the specified Data Memory contents remain unchanged. As this requires the insertion of a dummy instruction while the next instruction is fetched, it is a three cycle instruction. If the result is not 0 the program proceeds with the following instruction.
Operation	$ACC \leftarrow [m] + 1$ Skip if $ACC=0$
Affected flag(s)	None
LSNZ [m].i	Skip if bit i of Data Memory is not 0
Description	If bit i of the specified Data Memory is not 0, the following instruction is skipped. As this requires the insertion of a dummy instruction while the next instruction is fetched, it is a three cycle instruction. If the result is 0 the program proceeds with the following instruction.
Operation	Skip if $[m].i \neq 0$
Affected flag(s)	None

LSNZ [m]	Skip if Data Memory is not 0
Description	The contents of the specified Data Memory are read out and then written to the specified Data Memory again. If the content of the specified Data Memory is not 0, the following instruction is skipped. As this requires the insertion of a dummy instruction while the next instruction is fetched, it is a three cycle instruction. If the result is 0 the program proceeds with the following instruction.
Operation	Skip if [m] ≠ 0
Affected flag(s)	None
LSUB A,[m]	Subtract Data Memory from ACC
Description	The specified Data Memory is subtracted from the contents of the Accumulator. The result is stored in the Accumulator. Note that if the result of subtraction is negative, the C flag will be cleared to 0, otherwise if the result is positive or zero, the C flag will be set to 1.
Operation	ACC ← ACC – [m]
Affected flag(s)	OV, Z, AC, C, SC, CZ
LSUBM A,[m]	Subtract Data Memory from ACC with result in Data Memory
Description	The specified Data Memory is subtracted from the contents of the Accumulator. The result is stored in the Data Memory. Note that if the result of subtraction is negative, the C flag will be cleared to 0, otherwise if the result is positive or zero, the C flag will be set to 1.
Operation	[m] ← ACC – [m]
Affected flag(s)	OV, Z, AC, C, SC, CZ
LSWAP [m]	Swap nibbles of Data Memory
Description	The low-order and high-order nibbles of the specified Data Memory are interchanged.
Operation	[m].3~[m].0 ↔ [m].7~[m].4
Affected flag(s)	None
LSWAPA [m]	Swap nibbles of Data Memory with result in ACC
Description	The low-order and high-order nibbles of the specified Data Memory are interchanged. The result is stored in the Accumulator. The contents of the Data Memory remain unchanged.
Operation	ACC.3~ACC.0 ← [m].7~[m].4 ACC.7~ACC.4 ← [m].3~[m].0
Affected flag(s)	None
LSZ [m]	Skip if Data Memory is 0
Description	The contents of the specified Data Memory are read out and then written to the specified Data Memory again. If the contents of the specified Data Memory is 0, the following instruction is skipped. As this requires the insertion of a dummy instruction while the next instruction is fetched, it is a three cycle instruction. If the result is not 0 the program proceeds with the following instruction.
Operation	Skip if [m]=0
Affected flag(s)	None
LSZA [m]	Skip if Data Memory is 0 with data movement to ACC
Description	The contents of the specified Data Memory are copied to the Accumulator. If the value is zero, the following instruction is skipped. As this requires the insertion of a dummy instruction while the next instruction is fetched, it is a three cycle instruction. If the result is not 0 the program proceeds with the following instruction.
Operation	ACC ← [m] Skip if [m]=0
Affected flag(s)	None

LSZ [m],i	Skip if bit i of Data Memory is 0
Description	If bit i of the specified Data Memory is 0, the following instruction is skipped. As this requires the insertion of a dummy instruction while the next instruction is fetched, it is a three cycle instruction. If the result is not 0, the program proceeds with the following instruction.
Operation	Skip if [m].i=0
Affected flag(s)	None
LTABRD [m]	Read table (specific page) to TBLH and Data Memory
Description	The low byte of the program code (specific page) addressed by the table pointer (TBHP and TBLP) is moved to the specified Data Memory and the high byte moved to TBLH.
Operation	[m] ← program code (low byte) TBLH ← program code (high byte)
Affected flag(s)	None
LTABRDL [m]	Read table (last page) to TBLH and Data Memory
Description	The low byte of the program code (last page) addressed by the table pointer (TBLP) is moved to the specified Data Memory and the high byte moved to TBLH.
Operation	[m] ← program code (low byte) TBLH ← program code (high byte)
Affected flag(s)	None
LITABRD [m]	Increment table pointer low byte first and read table (specific page) to TBLH and Data Memory
Description	Increment table pointer low byte, TBLP, first and then the program code (specific page) addressed by the table pointer (TBHP and TBLP) is moved to the specified Data Memory and the high byte moved to TBLH.
Operation	[m] ← program code (low byte) TBLH ← program code (high byte)
Affected flag(s)	None
LITABRDL [m]	Increment table pointer low byte first and read table (last page) to TBLH and Data Memory
Description	Increment table pointer low byte, TBLP, first and then the low byte of the program code (last page) addressed by the table pointer (TBLP) is moved to the specified Data Memory and the high byte moved to TBLH.
Operation	[m] ← program code (low byte) TBLH ← program code (high byte)
Affected flag(s)	None
LXOR A,[m]	Logical XOR Data Memory to ACC
Description	Data in the Accumulator and the specified Data Memory perform a bitwise logical XOR operation. The result is stored in the Accumulator.
Operation	ACC ← ACC "XOR" [m]
Affected flag(s)	Z
LXORM A,[m]	Logical XOR ACC to Data Memory
Description	Data in the specified Data Memory and the Accumulator perform a bitwise logical XOR operation. The result is stored in the Data Memory.
Operation	[m] ← ACC "XOR" [m]
Affected flag(s)	Z

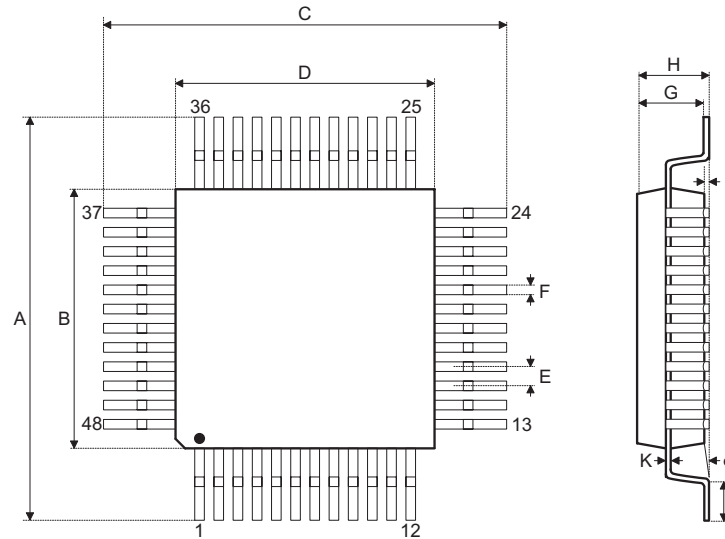
Package Information

Note that the package information provided here is for consultation purposes only. As this information may be updated at regular intervals users are reminded to consult the [Holtek website](#) for the latest version of the [Package Information](#).

Additional supplementary information with regard to packaging is listed below. Click on the relevant section to be transferred to the relevant website page.

- [Package Information \(include Outline Dimensions, Product Tape and Reel Specifications\)](#)
- [The Operation Instruction of Packing Materials](#)
- [Carton information](#)

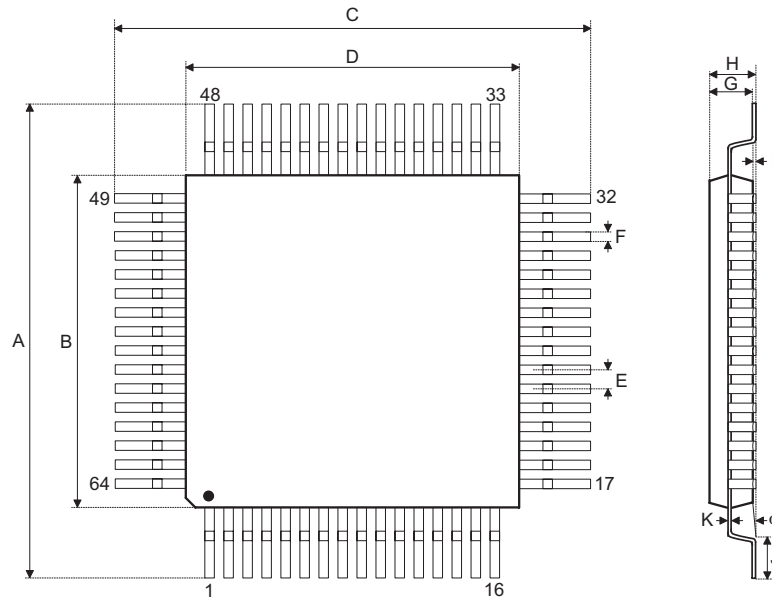
48-pin LQFP (7mm×7mm) Outline Dimensions



Symbol	Dimensions in inch		
	Min.	Nom.	Max.
A	—	0.354 BSC	—
B	—	0.276 BSC	—
C	—	0.354 BSC	—
D	—	0.276 BSC	—
E	—	0.020 BSC	—
F	0.007	0.009	0.011
G	0.053	0.055	0.057
H	—	—	0.063
I	0.002	—	0.006
J	0.018	0.024	0.030
K	0.004	—	0.008
α	0°	—	7°

Symbol	Dimensions in mm		
	Min.	Nom.	Max.
A	—	9.000 BSC	—
B	—	7.000 BSC	—
C	—	9.000 BSC	—
D	—	7.000 BSC	—
E	—	0.500 BSC	—
F	0.170	0.220	0.270
G	1.350	1.400	1.450
H	—	—	1.600
I	0.050	—	0.150
J	0.450	0.600	0.750
K	0.090	—	0.200
α	0°	—	7°

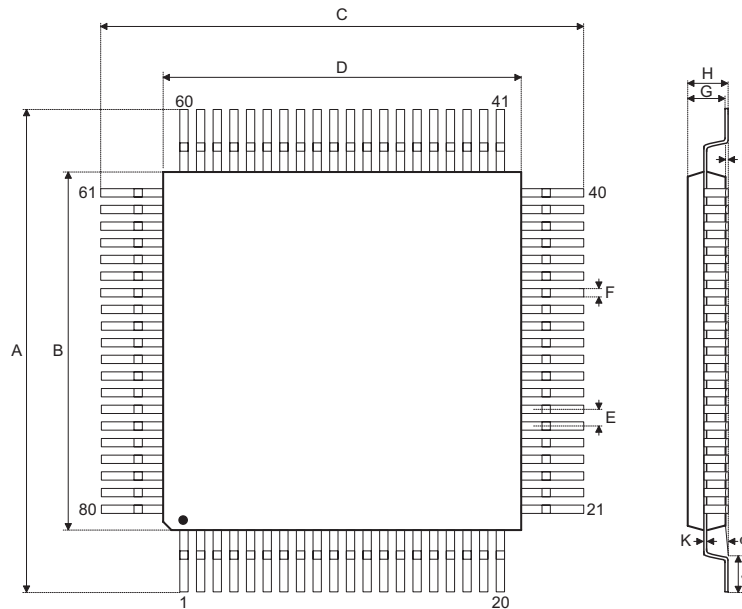
64-pin LQFP (7mm×7mm) Outline Dimensions



Symbol	Dimensions in inch		
	Min.	Nom.	Max.
A	—	0.354 BSC	—
B	—	0.276 BSC	—
C	—	0.354 BSC	—
D	—	0.276 BSC	—
E	—	0.016 BSC	—
F	0.005	0.007	0.009
G	0.053	0.055	0.057
H	—	—	0.063
I	0.002	—	0.006
J	0.018	0.024	0.030
K	0.004	—	0.008
α	0°	—	7°

Symbol	Dimensions in mm		
	Min.	Nom.	Max.
A	—	9.00 BSC	—
B	—	7.00 BSC	—
C	—	9.00 BSC	—
D	—	7.00 BSC	—
E	—	0.40 BSC	—
F	0.13	0.18	0.23
G	1.35	1.40	1.45
H	—	—	1.60
I	0.05	—	0.15
J	0.45	0.60	0.75
K	0.09	—	0.20
α	0°	—	7°

80-pin LQFP (10mm×10mm) Outline Dimensions



Symbol	Dimensions in inch		
	Min.	Nom.	Max.
A	—	0.472 BSC	—
B	—	0.394 BSC	—
C	—	0.472 BSC	—
D	—	0.394 BSC	—
E	—	0.016 BSC	—
F	0.007	0.009	0.011
G	0.053	0.055	0.057
H	—	—	0.063
I	0.002	—	0.006
J	0.018	0.024	0.030
K	0.004	—	0.008
α	0°	—	7°

Symbol	Dimensions in mm		
	Min.	Nom.	Max.
A	—	12.00 BSC	—
B	—	10.00 BSC	—
C	—	12.00 BSC	—
D	—	10.00 BSC	—
E	—	0.40 BSC	—
F	0.13	0.18	0.23
G	1.35	1.4	1.45
H	—	—	1.60
I	0.05	—	0.15
J	0.45	0.60	0.75
K	0.09	—	0.20
α	0°	—	7°

Copyright© 2023 by HOLTEK SEMICONDUCTOR INC. All Rights Reserved.

The information provided in this document has been produced with reasonable care and attention before publication, however, HOLTEK does not guarantee that the information is completely accurate. The information contained in this publication is provided for reference only and may be superseded by updates. HOLTEK disclaims any expressed, implied or statutory warranties, including but not limited to suitability for commercialization, satisfactory quality, specifications, characteristics, functions, fitness for a particular purpose, and non-infringement of any third-party's rights. HOLTEK disclaims all liability arising from the information and its application. In addition, HOLTEK does not recommend the use of HOLTEK's products where there is a risk of personal hazard due to malfunction or other reasons. HOLTEK hereby declares that it does not authorize the use of these products in life-saving, life-sustaining or safety critical components. Any use of HOLTEK's products in life-saving/sustaining or safety applications is entirely at the buyer's risk, and the buyer agrees to defend, indemnify and hold HOLTEK harmless from any damages, claims, suits, or expenses resulting from such use. The information provided in this document, including but not limited to the content, data, examples, materials, graphs, and trademarks, is the intellectual property of HOLTEK (and its licensors, where applicable) and is protected by copyright law and other intellectual property laws. No license, express or implied, to any intellectual property right, is granted by HOLTEK herein. HOLTEK reserves the right to revise the information described in the document at any time without prior notice. For the latest information, please contact us.