



USB RGB LED Flash MCU

HT66FB572/HT66FB574/HT66FB576

Revision: V2.00 Date: June 22, 2021

www.holtek.com

Table of Contents

Features	7
CPU Features	7
Peripheral Features.....	7
General Description	8
Selection Table	9
Block Diagram	9
Pin Assignment	10
Pin Description	13
Absolute Maximum Ratings	26
D.C. Characteristics	27
A.C. Characteristics	29
A/D Converter Electrical Characteristics	30
LVR/LVD Electrical Characteristics	31
Comparator Electrical Characteristics	32
Memory Characteristics	33
USB Electrical Characteristics	33
Constant Current LED Driver Electrical Characteristics	34
Power-on Reset Characteristics	34
System Architecture	35
Clocking and Pipelining.....	35
Program Counter.....	36
Stack	36
Arithmetic and Logic Unit – ALU	37
Flash Program Memory	38
Structure.....	38
Special Vectors	38
Look-up Table.....	39
Table Program Example	39
In Circuit Programming – ICP	40
On-Chip Debug Support – OCDS	41
In Application Programming – IAP	42
In System Programming – ISP.....	59
Data Memory	60
Structure.....	60
Data Memory Addressing.....	61
General Purpose Data Memory	61
Special Purpose Data Memory	61

Special Function Register Description.....	65
Indirect Addressing Registers – IAR0, IAR1, IAR2	65
Memory Pointers – MP0, MP1L, MP1H, MP2L, MP2H.....	65
Program Memory Bank Pointer – PBP.....	66
Accumulator – ACC.....	67
Program Counter Low Register – PCL.....	67
Look-up Table Registers – TBLP, TBHP, TBLH.....	67
Status Register – STATUS.....	68
EEPROM Data Memory.....	69
EEPROM Data Memory Structure	69
EEPROM Registers	69
Reading Data from the EEPROM	71
Writing Data to the EEPROM.....	71
Write Protection.....	71
EEPROM Interrupt.....	71
Programming Considerations.....	72
Oscillators	73
Oscillator Overview	73
System Clock Configurations	73
Internal PLL Frequency Generator.....	74
External Crystal/Ceramic Oscillator – HXT	75
Internal High Speed RC Oscillator – HIRC	76
Internal 32kHz Oscillator – LIRC.....	76
Operating Modes and System Clocks	76
System Clocks	76
System Operation Modes.....	77
Control Registers	79
Operating Mode Switching.....	82
Standby Current Considerations	86
Wake-up.....	86
Watchdog Timer.....	87
Watchdog Timer Clock Source.....	87
Watchdog Timer Control Register.....	87
Watchdog Timer Operation	88
Reset and Initialisation.....	89
Reset Functions	89
Reset Initial Conditions	92
Input/Output Ports	102
Pull-high Resistors	105
I/O Port Wake-up.....	105
Port A Wake-up Polarity Control Register	105
I/O Port Control Registers	107
Port A Power Source Control Register.....	107

I/O Port Output Slew Rate Control Registers	107
I/O Port Output Current Control Registers	112
Pin-shared Functions	115
I/O Pin Structures	124
Programming Considerations.....	124
Timer Modules – TM	125
Introduction	125
TM Operation	125
TM Clock Source.....	125
TM Interrupts.....	126
TM External Pins.....	126
TM Input/Output Pin Selection	126
Programming Considerations.....	127
Standard Type TM – STM	128
Standard TM Operation.....	128
Standard Type TM Register Description	128
Standard Type TM Operation Modes	132
Periodic Type TM – PTM.....	142
Periodic TM Operation	142
Periodic Type TM Register Description	142
Periodic Type TM Operating Modes	146
Analog to Digital Converter	155
A/D Converter Overview	155
A/D Converter Register Description	156
A/D Converter Operation	159
A/D Converter Reference Voltage.....	160
A/D Converter Input Signals.....	161
Conversion Rate and Timing Diagram	161
Summary of A/D Conversion Steps.....	162
Programming Considerations.....	163
A/D Conversion Function	163
A/D Conversion Programming Examples.....	164
Comparators	165
Comparator Operation	165
Comparator Registers	166
Comparator Interrupt.....	167
Programming Considerations.....	167
Serial Interface Module – SIM	167
SPI Interface	167
I ² C Interface	175
Serial Peripheral Interface – SPIA	184
SPIA Interface Operation	185
SPIA Registers	186

SPIA Communication	188
SPIA Bus Enable/Disable	190
SPIA Operation	190
Error Detection	192
UART Interface	193
UART External Pins	194
UART Data Transfer Scheme.....	194
UART Status and Control Registers.....	194
Baud Rate Generator	199
UART Setup and Control.....	200
UART Transmitter.....	201
UART Receiver	203
Managing Receiver Errors	204
UART Interrupt Structure.....	205
UART Power Down and Wake-up.....	206
Low Voltage Detector – LVD	207
LVD Register	207
LVD Operation.....	208
USB Interface	209
Power Plane.....	209
USB Interface Operation	209
USB Interface Registers.....	210
USB Interrupts.....	221
PWM for RGB LED	222
PWM Registers	223
LED PWM Modules.....	235
LED COM Output Unit.....	235
LED RAM & Register Transfer Unit.....	235
LED Interrupt.....	237
LED PWM Timing, Waveform and Flow Chart	237
Constant Current LED Driver.....	239
Interrupts	240
Interrupt Registers.....	240
Interrupt Operation	247
External Interrupts.....	249
USB Interrupt	249
Comparator Interrupts.....	249
SIM Interrupt	250
SPIA Interrupt.....	250
Time Base Interrupts	250
Multi-function Interrupts.....	252
LED Frame Interrupt	252
LED Up/Down Interrupt.....	252

A/D Converter Interrupt	252
UART Interrupt	253
EEPROM Interrupt	253
LVD Interrupt	253
TM Interrupts	253
Interrupt Wake-up Function	254
Programming Considerations	254
Configuration Options	255
Application Circuits	255
Instruction Set	256
Introduction	256
Instruction Timing	256
Moving and Transferring Data	256
Arithmetic Operations	256
Logical and Rotate Operation	257
Branches and Control Transfer	257
Bit Operations	257
Table Read Operations	257
Other Operations	257
Instruction Set Summary	258
Table Conventions	258
Extended Instruction Set	260
Instruction Definition	262
Extended Instruction Definition	271
Package Information	278
48-pin LQFP (7mm×7mm) Outline Dimensions	279
64-pin LQFP (7mm×7mm) Outline Dimensions	280
80-pin LQFP (10mm×10mm) Outline Dimensions	281
128-pin LQFP (14mm×14mm) Outline Dimensions (Exposed Pad)	282

Features

CPU Features

- Operating voltage
 - ♦ V_{DD} (MCU):
 - $f_{SYS}=6\text{MHz}$: 2.2V~5.5V
 - $f_{SYS}=12\text{MHz}$: 2.7V~5.5V
 - $f_{SYS}=16\text{MHz}$: 3.3V~5.5V
 - ♦ V_{DD} (USB mode):
 - $f_{SYS}=6\text{MHz}/12\text{MHz}/16\text{MHz}$: 3.3V~5.5V
- Up to 0.25 μs instruction cycle with 16MHz system clock at $V_{DD}=5\text{V}$
- Power down and wake-up functions to reduce power consumption
- Oscillator types
 - ♦ External High Speed Crystal – HXT
 - ♦ Internal High Speed RC – HIRC
 - ♦ Internal Low Speed 32kHz RC – LIRC
- Multi-mode operation: NORMAL, SLOW, IDLE and SLEEP
- Fully integrated internal 12MHz oscillator requires no external components
- All instructions executed in 1~3 instruction cycles
- Table read instructions
- 109 powerful instructions
- 12-level subroutine nesting
- Bit manipulation instruction

Peripheral Features

- Flash Program Memory: 8K \times 16~32K \times 16
- Data Memory: 1024 \times 8
- LED Control Memory: 512 \times 8~1024 \times 8
- True EEPROM Memory: 256 \times 8
- Watchdog Timer function
- Up to 52 bidirectional I/O lines
- Dual pin-shared external interrupts
- Multiple Timer Modules for time measurement, input capture, compare match output or PWM output or single pulse output function
 - ♦ 1 Standard type 16-bit Timer Module – STM
 - ♦ 3 Periodic type 10-bit Timer Modules – PTM0~PTM2
- Up to 48-pin PWM outputs for RGB LED application
- Four integrated constant current gain LED drivers
- Integrated RGB LED automatic colour & brightness

- USB interface
 - ♦ USB 2.0 Full Speed compatible
 - ♦ 8 endpoints supported including endpoint 0
 - ♦ All endpoints except endpoint 0 can support interrupt and bulk transfer
 - ♦ All endpoints except endpoint 0 can be configured as 8, 16, 32, 64 bytes FIFO size
 - ♦ Endpoint 0 support control transfer
 - ♦ Endpoint 0 has 8 byte FIFO
 - ♦ Support 3.3V LDO and internal UDP 1.5kΩ pull-up resistor
 - ♦ Internal 12MHz RC oscillator with 0.25% accuracy for all USB modes
- Serial Interface Module – SIM for SPI or I²C
- Single Serial Peripheral Interface – SPIA
- Fully-duplex Universal Asynchronous Receiver and Transmitter Interface – UART
- Dual comparator functions
- Dual Time-Base functions for generation of fixed time interrupt signals
- Multi-channel 12-bit resolution A/D converter
- Low voltage reset function
- Low voltage detect function
- In Application Programming function – IAP
- In System Programming function – ISP
- Package types: 48/64/80-pin LQFP, 128-pin LQFP-EP

General Description

These devices are Flash Memory type 8-bit high performance RISC architecture microcontrollers with a USB interface and integrated RGB control functions. Specifically designed for applications that interface directly to analog signals, require a USB interface and also are required to drive RGB LEDs, they offer users the convenience of Flash Memory multi-programming features. The devices also include a wide range of other useful functions and features. Other memory includes an area of RAM Data Memory as well as an area of true EEPROM memory for storage of non-volatile data such as serial numbers, calibration data etc.

Analog features include a multi-channel 12-bit A/D converter and two comparators. Multiple and extremely flexible Timer Modules provide timing, pulse generation and PWM generation functions. There are multiple PWM outputs specially provided for multiple RGB LED applications. Communication with the outside world is catered for by including fully integrated SPI, I²C, UART and USB interface functions, four popular interfaces which provide designers with a means of easy communication with external peripheral hardware. Protective features such as an internal Watchdog Timer, Low Voltage Reset and Low Voltage Detector coupled with excellent noise immunity and ESD protection ensure that reliable operation is maintained in hostile electrical environments. The external interrupt can be triggered with falling edges or both falling and rising edges.

A full choice of external, internal high and low oscillators is provided including two fully integrated system oscillators which require no external components for their implementation. The ability to operate and switch dynamically between a range of operating modes using different clock sources gives users the ability to optimise microcontroller operation and minimise power consumption.

The inclusion of flexible I/O programming features along with many other features ensure that the devices will find specific excellent use in a wide range of application possibilities such as sensor signal processing, motor driving, industrial control, consumer products, subsystem controllers, etc.

These devices are fully supported by the Holtek range of fully functional development and programming tools, providing a means for fast and efficient product development cycles.

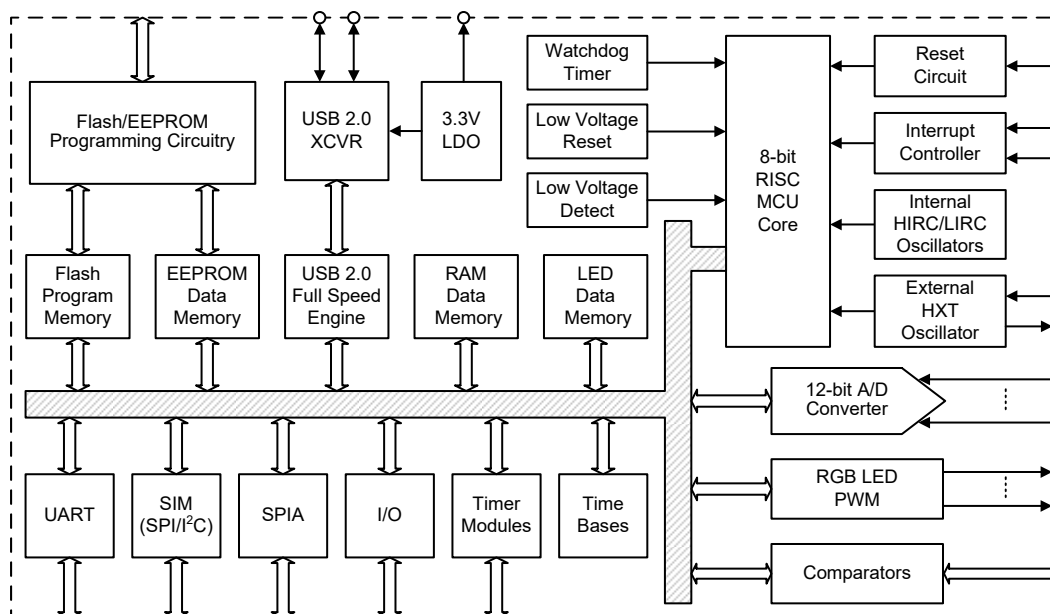
Selection Table

Most features are common to all devices and the main features distinguishing them are Memory capacity, I/O count, A/D Converter channel, PWM count for external RGB LEDs and package type. The following table summarises the main features of each device.

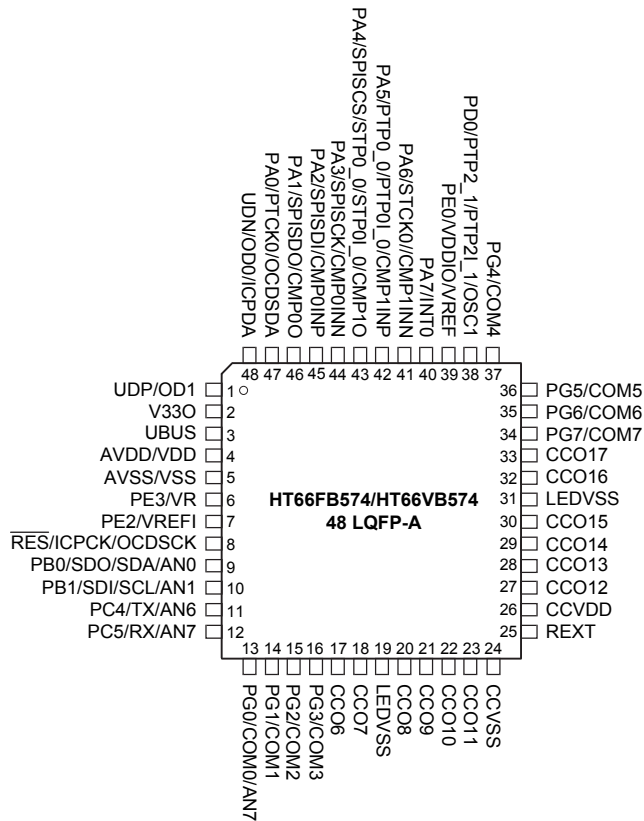
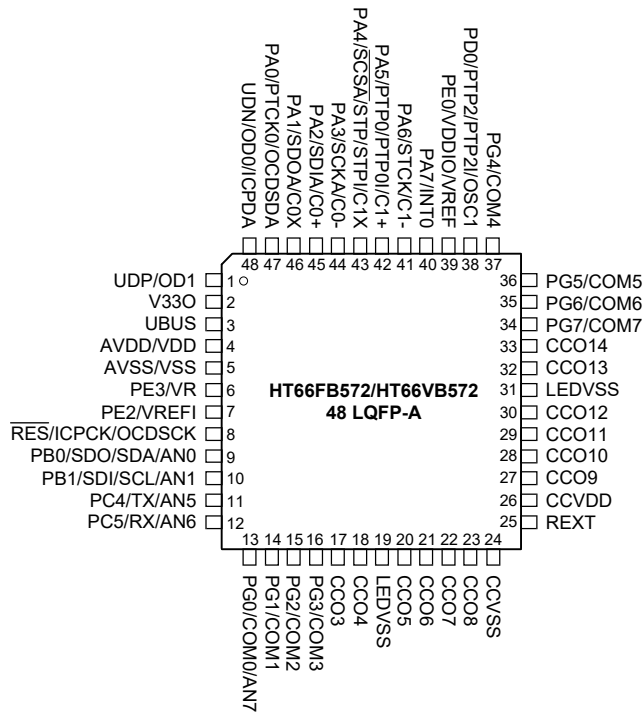
Part No.	V _{DD}	Program Memory	Data Memory	LED Data Memory	Data EEPROM	I/O	RGB LED PWM	Max RGB LED Support	A/D Converter
HT66FB572	2.2V~5.5V	8K×16	1024×8	512×8	256×8	34	15	40	12-bit×8
HT66FB574		16K×16		512×8		38	24	64	12-bit×12
HT66FB576		32K×16		1024×8		52	48	128	12-bit×16

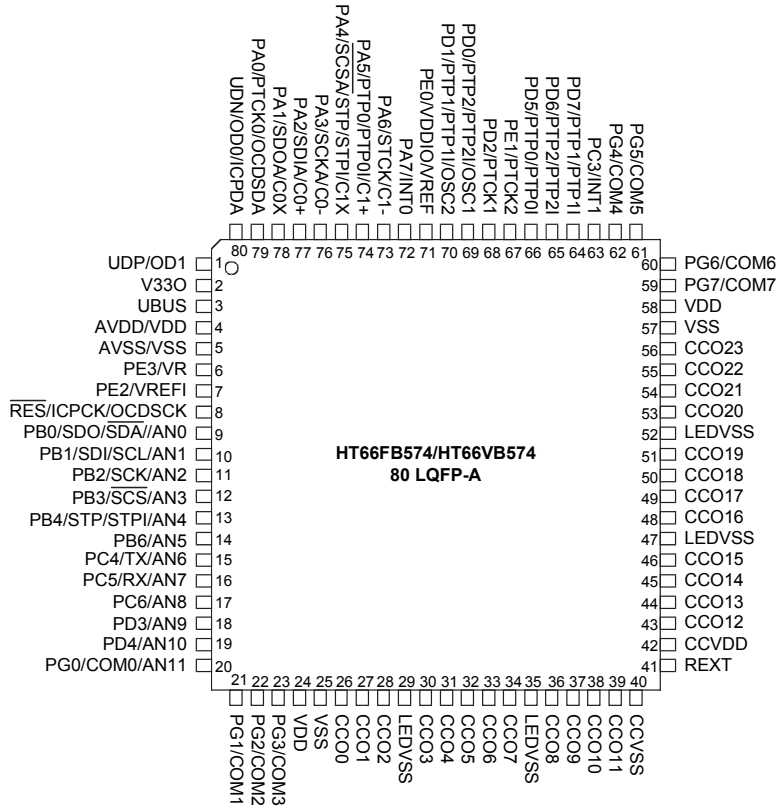
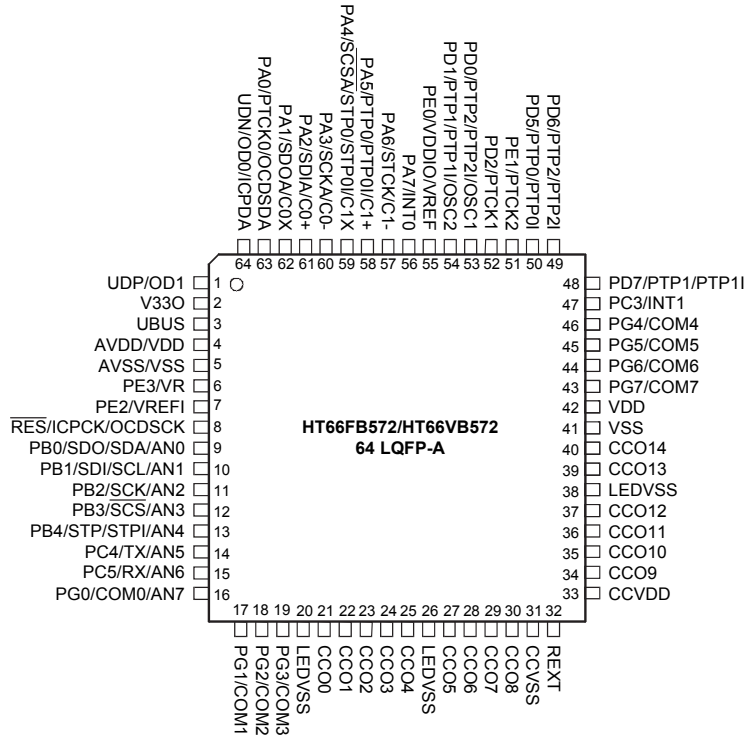
Part No.	Timer Modules	Comparator	External Interrupts	SIM	SPIA	Time Base	UART	USB	Stacks	Package
HT66FB572	16-bit STM×1 10-bit PTM×3	2	2	√	√	2	√	√	12	48/64LQFP
HT66FB574										48/80LQFP
HT66FB576										128LQFP-EP

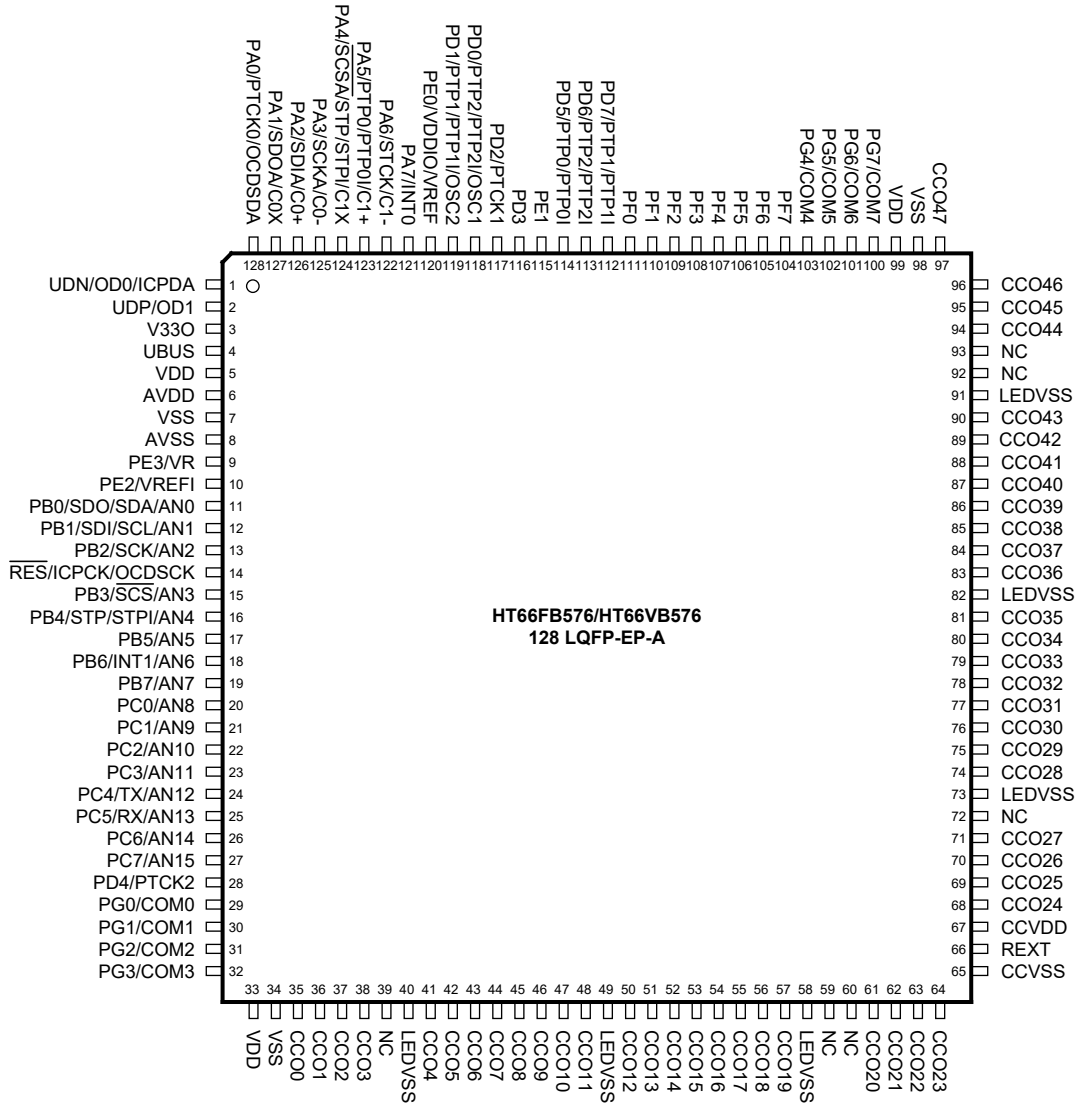
Block Diagram



Pin Assignment







- Note: 1. If the pin-shared pin functions have multiple outputs, the desired pin-shared function is determined by the corresponding software control bits.
2. The OCSDA and OCDSCCK pins are supplied for the OCDS dedicated pins and as such only available for the HT66VB572/HT66VB574/HT66VB576 devices which are the OCDS EV chips for the HT66FB572/HT66FB574/HT66FB576 devices.
3. For less pin-count package types there will be unbonded pins of which status should be properly configured to avoid the current consumption resulting from an input floating condition. Refer to the “Standby Current Considerations” and “Input/Output Ports” sections.

Pin Description

The pins on the devices can be referenced by its Port name, e.g. PA0, PA1 etc., which refer to the digital I/O function of the pins. However these Port pins are also shared with other functions such as the Analog to Digital Converter, Serial Port pins etc. The function of each pin is listed in the following table, however the details behind how each pin is configured is contained in other sections of the datasheet.

As the Pin Description table shows the situation for the package with the most pins, not all pins in the table will be available on smaller package sizes.

HT66FB572

Pin Name	Function	OPT	I/T	O/T	Description
PA0/PTCK0/ OCSDA	PA0	PAPU PAWUEG0	ST	CMOS	General purpose I/O. Register enabled pull-up and wake-up
	PTCK0	—	ST	—	PTM0 clock input
	OCSDA	—	ST	CMOS	OCDS data/address pin, for EV chip only.
PA1/SDOA/C0X	PA1	PAPU PAWUEG0 PAS0	ST	CMOS	General purpose I/O. Register enabled pull-up and wake-up
	SDOA	PAS0	—	CMOS	SPIA serial data output
	C0X	PAS0	—	CMOS	Comparator 0 output
PA2/SDIA/C0+	PA2	PAPU PAWUEG0 PAS0	ST	CMOS	General purpose I/O. Register enabled pull-up and wake-up
	SDIA	PAS0	ST	—	SPIA serial data input
	C0+	PAS0	AN	—	Comparator 0 positive input
PA3/SCKA/C0-	PA3	PAPU PAWUEG0 PAS0	ST	CMOS	General purpose I/O. Register enabled pull-up and wake-up
	SCKA	PAS0	ST	CMOS	SPIA serial clock
	C0-	PAS0	AN	—	Comparator 0 negative input
PA4/SCSA/STP/ STPI/C1X	PA4	PAPU PAWUEG1 PAS1	ST	CMOS	General purpose I/O. Register enabled pull-up and wake-up
	SCSA	PAS1	ST	CMOS	SPIA slave select
	STP	PAS1	—	CMOS	STM output
	STPI	PAS1 IFS	ST	—	STM capture input
PA5/PTP0/PTP0/ C1+	PA5	PAPU PAWUEG1 PAS1	ST	CMOS	General purpose I/O. Register enabled pull-up and wake-up
	PTP0	PAS1	—	CMOS	PTM0 output
	PTP0I	PAS1 IFS	ST	—	PTM0 capture input
	C1+	PAS1	AN	—	Comparator 1 positive input
PA6/STCK/C1-	PA6	PAPU PAWUEG1 PAS1	ST	CMOS	General purpose I/O. Register enabled pull-up and wake-up
	STCK	PAS1	ST	—	STM clock input
	C1-	PAS1	AN	—	Comparator 1 negative input

Pin Name	Function	OPT	I/T	O/T	Description
PA7/INT0	PA7	PAPU PAWUEG1	ST	CMOS	General purpose I/O. Register enabled pull-up and wake-up
	INT0	INTEG INTC0	ST	—	External interrupt 0 input
PB0/SDO/SDA/AN0	PB0	PBPU PBWU PBS0	ST	CMOS	General purpose I/O. Register enabled pull-up and wake-up
	SDO	PBS0	—	CMOS	SPI serial data output
	SDA	PBS0	ST	NMOS	I ² C data line
	AN0	PBS0	AN	—	A/D Converter external input 0
PB1/SDI/SCL/AN1	PB1	PBPU PBWU PBS0	ST	CMOS	General purpose I/O. Register enabled pull-up and wake-up
	SDI	PBS0	ST	—	SPI serial data input
	SCL	PBS0	ST	NMOS	I ² C clock line
	AN1	PBS0	AN	—	A/D Converter external input 1
PB2/SCK/AN2	PB2	PBPU PBWU PBS0	ST	CMOS	General purpose I/O. Register enabled pull-up and wake-up
	SCK	PBS0	ST	CMOS	SPI serial clock
	AN2	PBS0	AN	—	A/D Converter external input 2
PB3/ \overline{SCS} /AN3	PB3	PBPU PBWU PBS0	ST	CMOS	General purpose I/O. Register enabled pull-up and wake-up
	\overline{SCS}	PBS0	ST	CMOS	SPI slave select
	AN3	PBS0	AN	—	A/D Converter external input 3
PB4/STP/STPI/AN4	PB4	PBPU PBWU PBS1	ST	CMOS	General purpose I/O. Register enabled pull-up and wake-up
	STP	PBS1	—	CMOS	STM output
	STPI	PBS1 IFS	ST	—	STM capture input
	AN4	PBS1	AN	—	A/D Converter external input 4
PC3/INT1	PC3	PCPU PCWU PCS0	ST	CMOS	General purpose I/O. Register enabled pull-up and wake-up
	INT1	INTEG INTC0	ST	—	External interrupt 1 input
PC4/TX/AN5	PC4	PCPU PCWU PCS1	ST	CMOS	General purpose I/O. Register enabled pull-up and wake-up
	TX	PCS1	—	CMOS	UART TX serial data output
	AN5	PCS1	AN	—	A/D Converter external input 5
PC5/RX/AN6	PC5	PCPU PCWU PCS1	ST	CMOS	General purpose I/O. Register enabled pull-up and wake-up
	RX	PCS1	ST	—	UART RX serial data input
	AN6	PCS1	AN	—	A/D Converter external input 6

Pin Name	Function	OPT	I/T	O/T	Description
PD0/PTP2/PTP2I/ OSC1	PD0	PDP PDW PDS0	ST	CMOS	General purpose I/O. Register enabled pull-up and wake-up
	PTP2	PDS0	—	CMOS	PTM2 output
	PTP2I	PDS0 IFS	ST	—	PTM2 capture input
	OSC1	PDS0	HXT	—	HXT oscillator pin
PD1/PTP1/PTP1I/ OSC2	PD1	PDP PDW PDS0	ST	CMOS	General purpose I/O. Register enabled pull-up and wake-up
	PTP1	PDS0	—	CMOS	PTM1 output
	PTP1I	PDS0 IFS	ST	—	PTM1 capture input
	OSC2	PDS0	—	HXT	HXT oscillator pin
PD2/PTCK1	PD2	PDP PDW	ST	CMOS	General purpose I/O. Register enabled pull-up and wake-up
	PTCK1	—	ST	—	PTM1 clock input
PD5/PTP0/PTP0I	PD5	PDP PDW PDS1	ST	CMOS	General purpose I/O. Register enabled pull-up and wake-up
	PTP0	PDS1	—	CMOS	PTM0 output
	PTP0I	PDS1 IFS	ST	—	PTM0 capture input
PD6/PTP2/PTP2I	PD6	PDP PDW PDS1	ST	CMOS	General purpose I/O. Register enabled pull-up and wake-up
	PTP2	PDS1	—	CMOS	PTM2 output
	PTP2I	PDS1 IFS	ST	—	PTM2 capture input
PD7/PTP1/PTP1I	PD7	PDP PDW PDS1	ST	CMOS	General purpose I/O. Register enabled pull-up and wake-up
	PTP1	PDS1	—	CMOS	PTM1 output
	PTP1I	PDS1 IFS	ST	—	PTM1 capture input
PE0/VDDIO/VREF	PE0	PEP PEW PES0	ST	CMOS	General purpose I/O. Register enabled pull-up and wake-up
	VDDIO	PES0	PWR	—	PA external power input
	VREF	PES0	AN	—	A/D Converter external reference voltage input
PE1/PTCK2	PE1	PEP PEW	ST	CMOS	General purpose I/O. Register enabled pull-up and wake-up
	PTCK2	—	ST	—	PTM2 clock input
PE2/VREF1	PE2	PEP PEW PES0	ST	CMOS	General purpose I/O. Register enabled pull-up and wake-up
	VREF1	PES0	AN	—	A/D Converter PGA input
PE3/VR	PE3	PEP PEW PES0	ST	CMOS	General purpose I/O. Register enabled pull-up and wake-up
	VR	PES0	—	AN	A/D Converter reference voltage output

Pin Name	Function	OPT	I/T	O/T	Description
PG0/COM0/AN7	PG0	PGPU PGWU PGS0	ST	CMOS	General purpose I/O. Register enabled pull-up and wake-up
	COM0	PGS0	—	AN	LED COM0 output
	AN7	PGS0	AN	—	A/D Converter external input 7
PG1/COM1	PG1	PGPU PGWU PGS0	ST	CMOS	General purpose I/O. Register enabled pull-up and wake-up
	COM1	PGS0	—	AN	LED COM1 output
PG2/COM2	PG2	PGPU PGWU PGS0	ST	CMOS	General purpose I/O. Register enabled pull-up and wake-up
	COM2	PGS0	—	AN	LED COM2 output
PG3/COM3	PG3	PGPU PGWU PGS0	ST	CMOS	General purpose I/O. Register enabled pull-up and wake-up
	COM3	PGS0	—	AN	LED COM3 output
PG4/COM4	PG4	PGPU PGWU PGS1	ST	CMOS	General purpose I/O. Register enabled pull-up and wake-up
	COM4	PGS1	—	AN	LED COM4 output
PG5/COM5	PG5	PGPU PGWU PGS1	ST	CMOS	General purpose I/O. Register enabled pull-up and wake-up
	COM5	PGS1	—	AN	LED COM5 output
PG6/COM6	PG6	PGPU PGWU PGS1	ST	CMOS	General purpose I/O. Register enabled pull-up and wake-up
	COM6	PGS1	—	AN	LED COM6 output
PG7/COM7	PG7	PGPU PGWU PGS1	ST	CMOS	General purpose I/O. Register enabled pull-up and wake-up
	COM7	PGS1	—	AN	LED COM7 output
UBUS*	UBUS	—	PWR	—	USB SIE power supply
V330	V330	—	—	PWR	USB 3.3V regulator output
UDN/OD0/ICPDA	UDN	—	ST	CMOS	USB UDN line
	OD0	—	ST	NMOS	NMOS Open Drain I/O pin
	ICPDA	—	ST	CMOS	ICP address/data
UDP/OD1	UDP	—	ST	CMOS	USB UDP line
	OD1	—	ST	NMOS	NMOS Open Drain I/O pin
RES/ICPCK/ OCDSCK	RES	—	ST	—	External reset input
	ICPCK	—	ST	—	ICP clock
	OCDSCK	—	ST	—	OCDS clock pin, for EV chip only
VDD	VDD	—	PWR	—	Digital positive power supply
	IOVDD	—	PWR	—	I/O positive power supply
AVDD	AVDD	—	PWR	—	Analog positive power supply
CCVDD	CCVDD	—	PWR	—	Constant current positive power supply
VSS	VSS	—	PWR	—	Digital negative power supply, ground.
	IOVSS	—	PWR	—	I/O negative power supply, ground.
	HVSS	—	PWR	—	HIRC oscillator negative power supply, ground.
AVSS	AVSS	—	PWR	—	Analog negative power supply, ground.

Pin Name	Function	OPT	I/T	O/T	Description
CCVSS	CCVSS	—	PWR	—	Constant current negative power supply, ground.
LEDVSS	LEDVSS	—	PWR	—	Negative power supply for LED CCO0~CCO14 output
CCO0~CCO14	CCOn	—	—	AN	LED PWM constant current output
REXT	REXT	—	AN	—	External resistor input pin to setup output current for all CCOn output

Legend: I/T: Input type; O/T: Output type;
 OPT: Optional by register option; PWR: Power;
 ST: Schmitt Trigger input; CMOS: CMOS output;
 NMOS: NMOS output; AN: Analog signal;
 HXT: High frequency crystal oscillator;
 *: UBUS pin needs to be connected to VDD for ICP mode.

HT66FB574

Pin Name	Function	OPT	I/T	O/T	Description
PA0/PTCK0/ OCSDA	PA0	PAPU PAWUEG0	ST	CMOS	General purpose I/O. Register enabled pull-up and wake-up
	PTCK0	—	ST	—	PTM0 clock input
	OCSDA	—	ST	CMOS	OCDS data/address pin, for EV chip only.
PA1/SDOA/C0X	PA1	PAPU PAWUEG0 PAS0	ST	CMOS	General purpose I/O. Register enabled pull-up and wake-up
	SDOA	PAS0	—	CMOS	SPIA serial data output
	C0X	PAS0	—	CMOS	Comparator 0 output
PA2/SDIA/C0+	PA2	PAPU PAWUEG0 PAS0	ST	CMOS	General purpose I/O. Register enabled pull-up and wake-up
	SDIA	PAS0	ST	—	SPIA serial data input
	C0+	PAS0	AN	—	Comparator 0 positive input
PA3/SCKA/C0-	PA3	PAPU PAWUEG0 PAS0	ST	CMOS	General purpose I/O. Register enabled pull-up and wake-up
	SCKA	PAS0	ST	CMOS	SPIA serial clock
	C0-	PAS0	AN	—	Comparator 0 negative input
PA4/ $\overline{\text{SCSA}}$ /STP/ STPI/C1X	PA4	PAPU PAWUEG1 PAS1	ST	CMOS	General purpose I/O. Register enabled pull-up and wake-up
	$\overline{\text{SCSA}}$	PAS1	ST	CMOS	SPIA slave select
	STP	PAS1	—	CMOS	STM output
	STPI	PAS1 IFS	ST	—	STM capture input
PA5/PTP0/PTP0I/ C1+	PA5	PAPU PAWUEG1 PAS1	ST	CMOS	General purpose I/O. Register enabled pull-up and wake-up
	PTP0	PAS1	—	CMOS	PTM0 output
	PTP0I	PAS1 IFS	ST	—	PTM0 capture input
	C1+	PAS1	AN	—	Comparator 1 positive input

Pin Name	Function	OPT	I/T	O/T	Description
PA6/STCK/C1-	PA6	PAPU PAWUEG1 PAS1	ST	CMOS	General purpose I/O. Register enabled pull-up and wake-up
	STCK	PAS1	ST	—	STM clock input
	C1-	PAS1	AN	—	Comparator 1 negative input
PA7/INT0	PA7	PAPU PAWUEG1	ST	CMOS	General purpose I/O. Register enabled pull-up and wake-up
	INT0	INTEG INTC0	ST	—	External interrupt 0 input
PB0/SDO/SDA/AN0	PB0	PBPU PBWU PBS0	ST	CMOS	General purpose I/O. Register enabled pull-up and wake-up
	SDO	PBS0	—	CMOS	SPI serial data output
	SDA	PBS0	ST	NMOS	I ² C data line
	AN0	PBS0	AN	—	A/D Converter external input 0
PB1/SDI/SCL/AN1	PB1	PBPU PBWU PBS0	ST	CMOS	General purpose I/O. Register enabled pull-up and wake-up
	SDI	PBS0	ST	—	SPI serial data input
	SCL	PBS0	ST	NMOS	I ² C clock line
	AN1	PBS0	AN	—	A/D Converter external input 1
PB2/SCK/AN2	PB2	PBPU PBWU PBS0	ST	CMOS	General purpose I/O. Register enabled pull-up and wake-up
	SCK	PBS0	ST	CMOS	SPI serial clock
	AN2	PBS0	AN	—	A/D Converter external input 2
PB3/ \overline{SCS} /AN3	PB3	PBPU PBWU PBS0	ST	CMOS	General purpose I/O. Register enabled pull-up and wake-up
	\overline{SCS}	PBS0	ST	CMOS	SPI slave select
	AN3	PBS0	AN	—	A/D Converter external input 3
PB4/STP/STPI/AN4	PB4	PBPU PBWU PBS1	ST	CMOS	General purpose I/O. Register enabled pull-up and wake-up
	STP	PBS1	—	CMOS	STM output
	STPI	PBS1 IFS	ST	—	STM capture input
	AN4	PBS1	AN	—	A/D Converter external input 4
PB6/AN5	PB6	PBPU PBWU PBS1	ST	CMOS	General purpose I/O. Register enabled pull-up and wake-up
	AN5	PBS1	AN	—	A/D Converter external input 5
PC3/INT1	PC3	PCPU PCWU PCS0	ST	CMOS	General purpose I/O. Register enabled pull-up and wake-up
	INT1	INTEG INTC0	ST	—	External interrupt 1 input
PC4/TX/AN6	PC4	PCPU PCWU PCS1	ST	CMOS	General purpose I/O. Register enabled pull-up and wake-up
	TX	PCS1	—	CMOS	UART TX serial data output
	AN6	PCS1	AN	—	A/D Converter external input 6

Pin Name	Function	OPT	I/T	O/T	Description
PC5/RX/AN7	PC5	PCPU PCWU PCS1	ST	CMOS	General purpose I/O. Register enabled pull-up and wake-up
	RX	PCS1	ST	—	UART RX serial data input
	AN7	PCS1	AN	—	A/D Converter external input 7
PC6/AN8	PC6	PCPU PCWU PCS1	ST	CMOS	General purpose I/O. Register enabled pull-up and wake-up
	AN8	PCS1	AN	—	A/D Converter external input 8
PD0/PTP2/PTP2I/ OSC1	PD0	PDP PDWU PDS0	ST	CMOS	General purpose I/O. Register enabled pull-up and wake-up
	PTP2	PDS0	—	CMOS	PTM2 output
	PTP2I	PDS0 IFS	ST	—	PTM2 capture input
	OSC1	PDS0	HXT	—	HXT oscillator pin
PD1/PTP1/PTP1I/ OSC2	PD1	PDP PDWU PDS0	ST	CMOS	General purpose I/O. Register enabled pull-up and wake-up
	PTP1	PDS0	—	CMOS	PTM1 output
	PTP1I	PDS0 IFS	ST	—	PTM1 capture input
	OSC2	PDS0	—	HXT	HXT oscillator pin
PD2/PTCK1	PD2	PDP PDWU	ST	CMOS	General purpose I/O. Register enabled pull-up and wake-up
	PTCK1	—	ST	—	PTM1 clock input
PD3/AN9	PD3	PDP PDWU	ST	CMOS	General purpose I/O. Register enabled pull-up and wake-up
	AN9	—	AN	—	A/D Converter external input 9
PD4/AN10	PD4	PDP PDWU	ST	CMOS	General purpose I/O. Register enabled pull-up and wake-up
	AN10	—	AN	—	A/D Converter external input 10
PD5/PTP0/PTP0I	PD5	PDP PDWU PDS1	ST	CMOS	General purpose I/O. Register enabled pull-up and wake-up
	PTP0	PDS1	—	CMOS	PTM0 output
	PTP0I	PDS1 IFS	ST	—	PTM0 capture input
PD6/PTP2/PTP2I	PD6	PDP PDWU PDS1	ST	CMOS	General purpose I/O. Register enabled pull-up and wake-up
	PTP2	PDS1	—	CMOS	PTM2 output
	PTP2I	PDS1 IFS	ST	—	PTM2 capture input
PD7/PTP1/PTP1I	PD7	PDP PDWU PDS1	ST	CMOS	General purpose I/O. Register enabled pull-up and wake-up
	PTP1	PDS1	—	CMOS	PTM1 output
	PTP1I	PDS1 IFS	ST	—	PTM1 capture input

Pin Name	Function	OPT	I/T	O/T	Description
PE0/VDDIO/VREF	PE0	PEPU PEWU PES0	ST	CMOS	General purpose I/O. Register enabled pull-up and wake-up
	VDDIO	PES0	PWR	—	PA external power input
	VREF	PES0	AN	—	A/D Converter external reference voltage input
PE1/PTCK2	PE1	PEPU PEWU	ST	CMOS	General purpose I/O. Register enabled pull-up and wake-up
	PTCK2	—	ST	—	PTM2 clock input
PE2/VREF1	PE2	PEPU PEWU PES0	ST	CMOS	General purpose I/O. Register enabled pull-up and wake-up
	VREF1	PES0	AN	—	A/D Converter PGA input
PE3/VR	PE3	PEPU PEWU PES0	ST	CMOS	General purpose I/O. Register enabled pull-up and wake-up
	VR	PES0	—	AN	A/D Converter reference voltage output
PG0/COM0/AN11	PG0	PGPU PGWU PGS0	ST	CMOS	General purpose I/O. Register enabled pull-up and wake-up
	COM0	PGS0	—	AN	LED COM0 output
	AN11	PGS0	AN	—	A/D Converter external input 11
PG1/COM1	PG1	PGPU PGWU PGS0	ST	CMOS	General purpose I/O. Register enabled pull-up and wake-up
	COM1	PGS0	—	AN	LED COM1 output
PG2/COM2	PG2	PGPU PGWU PGS0	ST	CMOS	General purpose I/O. Register enabled pull-up and wake-up
	COM2	PGS0	—	AN	LED COM2 output
PG3/COM3	PG3	PGPU PGWU PGS0	ST	CMOS	General purpose I/O. Register enabled pull-up and wake-up
	COM3	PGS0	—	AN	LED COM3 output
PG4/COM4	PG4	PGPU PGWU PGS1	ST	CMOS	General purpose I/O. Register enabled pull-up and wake-up
	COM4	PGS1	—	AN	LED COM4 output
PG5/COM5	PG5	PGPU PGWU PGS1	ST	CMOS	General purpose I/O. Register enabled pull-up and wake-up
	COM5	PGS1	—	AN	LED COM5 output
PG6/COM6	PG6	PGPU PGWU PGS1	ST	CMOS	General purpose I/O. Register enabled pull-up and wake-up
	COM6	PGS1	—	AN	LED COM6 output
PG7/COM7	PG7	PGPU PGWU PGS1	ST	CMOS	General purpose I/O. Register enabled pull-up and wake-up
	COM7	PGS1	—	AN	LED COM7 output
UBUS*	UBUS	—	PWR	—	USB SIE power supply
V330	V330	—	—	PWR	USB 3.3V regulator output

Pin Name	Function	OPT	I/T	O/T	Description
UDN/OD0/ICPDA	UDN	—	ST	CMOS	USB UDN line
	OD0	—	ST	NMOS	NMOS Open Drain I/O pin
	ICPDA	—	ST	CMOS	ICP address/data
UDP/OD1	UDP	—	ST	CMOS	USB UDP line
	OD1	—	ST	NMOS	NMOS Open Drain I/O pin
RES/ICPCK/ OCDSCCK	RES	—	ST	—	External reset input
	ICPCK	—	ST	—	ICP clock
	OCDSCCK	—	ST	—	OCDSCCK clock pin, for EV chip only
VDD	VDD	—	PWR	—	Digital positive power supply
	IOVDD	—	PWR	—	I/O positive power supply
AVDD	AVDD	—	PWR	—	Analog positive power supply
CCVDD	CCVDD	—	PWR	—	Constant current positive power supply
VSS	VSS	—	PWR	—	Digital negative power supply, ground.
	IOVSS	—	PWR	—	I/O negative power supply, ground.
	HVSS	—	PWR	—	HIRC oscillator negative power supply, ground.
AVSS	AVSS	—	PWR	—	Analog negative power supply, ground.
CCVSS	CCVSS	—	PWR	—	Constant current negative power supply, ground.
LEDVSS	LEDVSS	—	PWR	—	Negative power supply for LED CCO0~CCO23 output
CCO0~CCO23	CCOn	—	—	AN	LED PWM constant current output
REXT	REXT	—	AN	—	External resistor input pin to setup output current for all CCOn output

Legend: I/T: Input type; O/T: Output type;
 OPT: Optional by register option; PWR: Power;
 ST: Schmitt Trigger input; CMOS: CMOS output;
 NMOS: NMOS output; AN: Analog signal;
 HXT: High frequency crystal oscillator;
 *: UBUS pin needs to be connected to VDD for ICP mode.

HT66FB576

Pin Name	Function	OPT	I/T	O/T	Description
PA0/PTCK0/ OCDSDA	PA0	PAPU PAWUEG0	ST	CMOS	General purpose I/O. Register enabled pull-up and wake-up
	PTCK0	—	ST	—	PTM0 clock input
	OCDSDA	—	ST	CMOS	OCDSCCK data/address pin, for EV chip only.
PA1/SDOA/C0X	PA1	PAPU PAWUEG0 PAS0	ST	CMOS	General purpose I/O. Register enabled pull-up and wake-up
	SDOA	PAS0	—	CMOS	SPIA serial data output
	C0X	PAS0	—	CMOS	Comparator 0 output
PA2/SDIA/C0+	PA2	PAPU PAWUEG0 PAS0	ST	CMOS	General purpose I/O. Register enabled pull-up and wake-up
	SDIA	PAS0	ST	—	SPIA serial data input
	C0+	PAS0	AN	—	Comparator 0 positive input
PA3/SCKA/C0-	PA3	PAPU PAWUEG0 PAS0	ST	CMOS	General purpose I/O. Register enabled pull-up and wake-up
	SCKA	PAS0	ST	CMOS	SPIA serial clock
	C0-	PAS0	AN	—	Comparator 0 negative input

Pin Name	Function	OPT	I/T	O/T	Description
PA4/ $\overline{\text{SCSA}}$ /STP/ STPI/C1X	PA4	PAPU PAWUEG1 PAS1	ST	CMOS	General purpose I/O. Register enabled pull-up and wake-up
	$\overline{\text{SCSA}}$	PAS1	ST	CMOS	SPIA slave select
	STP	PAS1	—	CMOS	STM output
	STPI	PAS1 IFS	ST	—	STM capture input
	C1X	PAS1	—	CMOS	Comparator 1 output
PA5/PTP0/PTP0I/ C1+	PA5	PAPU PAWUEG1 PAS1	ST	CMOS	General purpose I/O. Register enabled pull-up and wake-up
	PTP0	PAS1	—	CMOS	PTM0 output
	PTP0I	PAS1 IFS	ST	—	PTM0 capture input
	C1+	PAS1	AN	—	Comparator 1 positive input
PA6/STCK/C1-	PA6	PAPU PAWUEG1 PAS1	ST	CMOS	General purpose I/O. Register enabled pull-up and wake-up
	STCK	PAS1	ST	—	STM clock input
	C1-	PAS1	AN	—	Comparator 1 negative input
PA7/INT0	PA7	PAPU PAWUEG1	ST	CMOS	General purpose I/O. Register enabled pull-up and wake-up
	INT0	INTEG INTC0	ST	—	External interrupt 0 input
PB0/SDO/SDA/AN0	PB0	PBPU PBWU PBS0	ST	CMOS	General purpose I/O. Register enabled pull-up and wake-up
	SDO	PBS0	—	CMOS	SPI serial data output
	SDA	PBS0	ST	NMOS	I ² C data line
	AN0	PBS0	AN	—	A/D Converter external input 0
PB1/SDI/SCL/AN1	PB1	PBPU PBWU PBS0	ST	CMOS	General purpose I/O. Register enabled pull-up and wake-up
	SDI	PBS0	ST	—	SPI serial data input
	SCL	PBS0	ST	NMOS	I ² C clock line
	AN1	PBS0	AN	—	A/D Converter external input 1
PB2/SCK/AN2	PB2	PBPU PBWU PBS0	ST	CMOS	General purpose I/O. Register enabled pull-up and wake-up
	SCK	PBS0	ST	CMOS	SPI serial clock
	AN2	PBS0	AN	—	A/D Converter external input 2
PB3/ $\overline{\text{SCS}}$ /AN3	PB3	PBPU PBWU PBS0	ST	CMOS	General purpose I/O. Register enabled pull-up and wake-up
	$\overline{\text{SCS}}$	PBS0	ST	CMOS	SPI slave select
	AN3	PBS0	AN	—	A/D Converter external input 3
PB4/STP/STPI/AN4	PB4	PBPU PBWU PBS1	ST	CMOS	General purpose I/O. Register enabled pull-up and wake-up
	STP	PBS1	—	CMOS	STM output
	STPI	PBS1 IFS	ST	—	STM capture input
	AN4	PBS1	AN	—	A/D Converter external input 4

Pin Name	Function	OPT	I/T	O/T	Description
PB5/AN5	PB5	PBPU PBWU PBS1	ST	CMOS	General purpose I/O. Register enabled pull-up and wake-up
	AN5	PBS1	AN	—	A/D Converter external input 5
PB6/INT1/AN6	PB6	PBPU PBWU PBS1	ST	CMOS	General purpose I/O. Register enabled pull-up and wake-up
	INT1	PBS1 INTEG INTC0	ST	—	External interrupt 1 input
	AN6	PBS1	AN	—	A/D Converter external input 6
PB7/AN7	PB7	PBPU PBWU PBS1	ST	CMOS	General purpose I/O. Register enabled pull-up and wake-up
	AN7	PBS1	AN	—	A/D Converter external input 7
PC0/AN8	PC0	PCPU PCWU PCS0	ST	CMOS	General purpose I/O. Register enabled pull-up and wake-up
	AN8	PCS0	AN	—	A/D Converter external input 8
PC1/AN9	PC1	PCPU PCWU PCS0	ST	CMOS	General purpose I/O. Register enabled pull-up and wake-up
	AN9	PCS0	AN	—	A/D Converter external input 9
PC2/AN10	PC2	PCPU PCWU PCS0	ST	CMOS	General purpose I/O. Register enabled pull-up and wake-up
	AN10	PCS0	AN	—	A/D Converter external input 10
PC3/AN11	PC3	PCPU PCWU PCS0	ST	CMOS	General purpose I/O. Register enabled pull-up and wake-up
	AN11	PCS0	AN	—	A/D Converter external input 11
PC4/TX/AN12	PC4	PCPU PCWU PCS1	ST	CMOS	General purpose I/O. Register enabled pull-up and wake-up
	TX	PCS1	—	CMOS	UART TX serial data output
	AN12	PCS1	AN	—	A/D Converter external input 12
PC5/RX/AN13	PC5	PCPU PCWU PCS1	ST	CMOS	General purpose I/O. Register enabled pull-up and wake-up
	RX	PCS1	ST	—	UART RX serial data input
	AN13	PCS1	AN	—	A/D Converter external input 13
PC6/AN14	PC6	PCPU PCWU PCS1	ST	CMOS	General purpose I/O. Register enabled pull-up and wake-up
	AN14	PCS1	AN	—	A/D Converter external input 14
PC7/AN15	PC7	PCPU PCWU PCS1	ST	CMOS	General purpose I/O. Register enabled pull-up and wake-up
	AN15	PCS1	AN	—	A/D Converter external input 15

Pin Name	Function	OPT	I/T	O/T	Description
PD0/PTP2/PTP2I/ OSC1	PD0	PDP PDW PDS0	ST	CMOS	General purpose I/O. Register enabled pull-up and wake-up
	PTP2	PDS0	—	CMOS	PTM2 output
	PTP2I	PDS0 IFS	ST	—	PTM2 capture input
	OSC1	PDS0	HXT	—	HXT oscillator pin
PD1/PTP1/PTP1I/ OSC2	PD1	PDP PDW PDS0	ST	CMOS	General purpose I/O. Register enabled pull-up and wake-up
	PTP1	PDS0	—	CMOS	PTM1 output
	PTP1I	PDS0 IFS	ST	—	PTM1 capture input
	OSC2	PDS0	—	HXT	HXT oscillator pin
PD2/PTCK1	PD2	PDP PDW	ST	CMOS	General purpose I/O. Register enabled pull-up and wake-up
	PTCK1	—	ST	—	PTM1 clock input
PD3	PD3	PDP PDW	ST	CMOS	General purpose I/O. Register enabled pull-up and wake-up
PD4/PTCK2	PD4	PDP PDW	ST	CMOS	General purpose I/O. Register enabled pull-up and wake-up
	PTCK2	—	ST	—	PTM2 clock input
PD5/PTP0/PTP0I	PD5	PDP PDW PDS1	ST	CMOS	General purpose I/O. Register enabled pull-up and wake-up
	PTP0	PDS1	—	CMOS	PTM0 output
	PTP0I	PDS1 IFS	ST	—	PTM0 capture input
PD6/PTP2/PTP2I	PD6	PDP PDW PDS1	ST	CMOS	General purpose I/O. Register enabled pull-up and wake-up
	PTP2	PDS1	—	CMOS	PTM2 output
	PTP2I	PDS1 IFS	ST	—	PTM2 capture input
PD7/PTP1/PTP1I	PD7	PDP PDW PDS1	ST	CMOS	General purpose I/O. Register enabled pull-up and wake-up
	PTP1	PDS1	—	CMOS	PTM1 output
	PTP1I	PDS1 IFS	ST	—	PTM1 capture input
PE0/VDDIO/VREF	PE0	PEP PEW PES0	ST	CMOS	General purpose I/O. Register enabled pull-up and wake-up
	VDDIO	PES0	PWR	—	PA external power input
	VREF	PES0	AN	—	A/D Converter external reference voltage input
PE1	PE1	PEP PEW	ST	CMOS	General purpose I/O. Register enabled pull-up and wake-up
PE2/VREFI	PE2	PEP PEW PES0	ST	CMOS	General purpose I/O. Register enabled pull-up and wake-up
	VREFI	PES0	AN	—	A/D Converter PGA input

Pin Name	Function	OPT	I/T	O/T	Description
PE3/VR	PE3	PEPU PEWU PES0	ST	CMOS	General purpose I/O. Register enabled pull-up and wake-up
	VR	PES0	—	AN	A/D Converter reference voltage output
PF0~PF7	PFn	PFPU PFWU	ST	CMOS	General purpose I/O. Register enabled pull-up and wake-up
PG0/COM0	PG0	PGPU PGWU PGS0	ST	CMOS	General purpose I/O. Register enabled pull-up and wake-up
	COM0	PGS0	—	AN	LED COM0 output
PG1/COM1	PG1	PGPU PGWU PGS0	ST	CMOS	General purpose I/O. Register enabled pull-up and wake-up
	COM1	PGS0	—	AN	LED COM1 output
PG2/COM2	PG2	PGPU PGWU PGS0	ST	CMOS	General purpose I/O. Register enabled pull-up and wake-up
	COM2	PGS0	—	AN	LED COM2 output
PG3/COM3	PG3	PGPU PGWU PGS0	ST	CMOS	General purpose I/O. Register enabled pull-up and wake-up
	COM3	PGS0	—	AN	LED COM3 output
PG4/COM4	PG4	PGPU PGWU PGS1	ST	CMOS	General purpose I/O. Register enabled pull-up and wake-up
	COM4	PGS1	—	AN	LED COM4 output
PG5/COM5	PG5	PGPU PGWU PGS1	ST	CMOS	General purpose I/O. Register enabled pull-up and wake-up
	COM5	PGS1	—	AN	LED COM5 output
PG6/COM6	PG6	PGPU PGWU PGS1	ST	CMOS	General purpose I/O. Register enabled pull-up and wake-up
	COM6	PGS1	—	AN	LED COM6 output
PG7/COM7	PG7	PGPU PGWU PGS1	ST	CMOS	General purpose I/O. Register enabled pull-up and wake-up
	COM7	PGS1	—	AN	LED COM7 output
UBUS*	UBUS	—	PWR	—	USB SIE power supply
V330	V330	—	—	PWR	USB 3.3V regulator output
UDN/OD0/ICPDA	UDN	—	ST	CMOS	USB UDN line
	OD0	—	ST	NMOS	NMOS Open Drain I/O pin
	ICPDA	—	ST	CMOS	ICP address/data
UDP/OD1	UDP	—	ST	CMOS	USB UDP line
	OD1	—	ST	NMOS	NMOS Open Drain I/O pin
RES/ICPCK/ OCDSCK	RES	—	ST	—	External reset input
	ICPCK	—	ST	—	ICP clock
	OCDSCK	—	ST	—	OCDS clock pin, for EV chip only

Pin Name	Function	OPT	I/T	O/T	Description
VDD	VDD	—	PWR	—	Digital positive power supply
	IOVDD	—	PWR	—	I/O positive power supply
AVDD	AVDD	—	PWR	—	Analog positive power supply
CCVDD	CCVDD	—	PWR	—	Constant current positive power supply
VSS	VSS	—	PWR	—	Digital negative power supply, ground.
	IOVSS	—	PWR	—	I/O negative power supply, ground.
	HVSS	—	PWR	—	HIRC oscillator negative power supply, ground.
AVSS	AVSS	—	PWR	—	Analog negative power supply, ground.
CCVSS	CCVSS	—	PWR	—	Constant current negative power supply, ground.
LEDVSS	LEDVSS	—	PWR	—	Negative power supply for LED CCO0~CCO47 output
CCO0~CCO47	CCOn	—	—	AN	LED PWM constant current output
REXT	REXT	—	AN	—	External resistor input pin to setup output current for all CCOn output

Legend: I/T: Input type; O/T: Output type;
 OPT: Optional by register option; PWR: Power;
 ST: Schmitt Trigger input; CMOS: CMOS output;
 NMOS: NMOS output; AN: Analog signal;
 HXT: High frequency crystal oscillator;
 *: UBUS pin needs to be connected to VDD for ICP mode.

Absolute Maximum Ratings

Supply Voltage	$V_{SS}-0.3V$ to $V_{SS}+6.0V$
Input Voltage	$V_{SS}-0.3V$ to $V_{DD}+0.3V$
Storage Temperature.....	$-50^{\circ}C$ to $125^{\circ}C$
Operating Temperature.....	$-40^{\circ}C$ to $85^{\circ}C$
I_{OH} Total	$-100mA$
I_{OL} Total	$1000mA$ (for HT66FB572)
I_{OL} Total	$1500mA$ (for HT66FB574)
I_{OL} Total	$2900mA$ (for HT66FB576)
Total Power Dissipation	$450mW$ (for HT66FB572)
Total Power Dissipation	$800mW$ (for HT66FB574)
Total Power Dissipation	$1500mW$ (for HT66FB576)

Note: These are stress ratings only. Stresses exceeding the range specified under "Absolute Maximum Ratings" may cause substantial damage to the devices. Functional operation of these devices at other conditions beyond those listed in the specification is not implied and prolonged exposure to extreme conditions may affect device reliability.

D.C. Characteristics

Ta=25°C

Symbol	Parameter	Test Conditions		Min.	Typ.	Max.	Unit
		V _{DD}	Conditions				
V _{DD}	Operating Voltage (HXT)	—	f _{sys} =f _{HXT} =6MHz	2.2	—	5.5	V
			f _{sys} =f _{HXT} =12MHz	2.7	—	5.5	
	Operating Voltage (HIRC)	—	f _{sys} =f _{HIRC} =12MHz	2.7	—	5.5	V
	Operating Voltage (LIRC)	—	f _{sys} =f _{LIRC} =32kHz	2.2	—	5.5	V
	Operating Voltage (PLL)	—	f _{sys} =f _{PLL} =6MHz, PLEN=1	2.2	—	5.5	V
f _{sys} =f _{PLL} =12MHz, PLEN=1			2.7	—	5.5		
f _{sys} =f _{PLL} =16MHz, PLEN=1			3.3	—	5.5		
I _{DD}	Operating Current (HXT)	3V	f _{sys} =f _{HXT} =6MHz, No load, all peripherals off	—	0.7	1.5	mA
			5V	—	1.6	3	
		3V	f _{sys} =f _{HXT} =12MHz, No load, all peripherals off	—	1.3	3	mA
			5V	—	2.7	6	
		3.3V	f _{sys} =f _{HXT} =16MHz, No load, all peripherals off	—	3.0	6.0	mA
			5V	—	5.0	9.5	
	Operating Current (HIRC)	3V	f _{sys} =f _{HIRC} =12MHz, No load, all peripherals off	—	1.6	3	mA
			5V	—	2.8	6	
	Operating Current (LIRC)	3V	f _{sys} =f _{LIRC} =32kHz, No load, all peripherals off	—	16	30	μA
			5V	—	28	50	
	Operating Current (PLL)	3V	f _{sys} =f _{PLL} =6MHz, PLEN=1, No load, all peripherals off	—	1.5	2	mA
			5V	—	3	4	
		3V	f _{sys} =f _{PLL} =12MHz, PLEN=1, No load, all peripherals off	—	2.1	3.5	mA
			5V	—	3.8	7	
		3.3V	f _{sys} =f _{PLL} =16MHz, PLEN=1, No load, all peripherals off	—	3.2	6.5	mA
5V			—	4.5	9.0		
I _{STB}	Standby Current (SLEEP Mode)	3V	f _{sys} off, f _{SUB} off, No load, all peripherals off, WDT disable, Ta=25°C	—	0.2	0.8	μA
			5V	—	0.5	1	
		3V	f _{sys} off, f _{SUB} off, No load, all peripherals off, WDT disable, Ta=-40°C~85°C	—	—	1	μA
			5V	—	—	2	
		3V	f _{sys} off, f _{SUB} =f _{LIRC} on, No load, all peripherals off, WDT enable	—	—	3	μA
	5V		—	—	5		
	Standby Current (IDLE0 Mode)	3V	f _{sys} off, f _{SUB} =f _{LIRC} on, No load, all peripherals off	—	1.5	3	μA
			5V	—	2.8	5	
	Standby Current (IDLE1 Mode)	3V	f _{sys} =f _{HIRC} =12MHz on, f _{SUB} on, No load, all peripherals off	—	0.65	1.4	mA
			5V	—	1.3	3	
		3V	f _{sys} =f _{HXT} =12MHz on, f _{SUB} on, No load, all peripherals off	—	0.9	1.5	mA
			5V	—	1.4	3	
3V		f _{sys} =f _{PLL} =6MHz on, f _{SUB} on, PLEN=1, No load, all peripherals off	—	1.0	2.5	mA	
		5V	—	2.0	3.5		
3V		f _{sys} =f _{PLL} =12MHz on, f _{SUB} on, PLEN=1, No load, all peripherals off	—	1.5	3	mA	
		5V	—	2.5	4		
5V	f _{sys} =f _{PLL} =16MHz on, f _{SUB} on, PLEN=1, No load, all peripherals off	—	3	5	mA		
V _{IL}	Input Low Voltage for I/O Ports	5V	—	0	—	1.5	V
		—	—	0	—	0.2V _{DD}	
	Input Low Voltage for RES Pin	—	—	0	—	0.4V _{DD}	V

Symbol	Parameter	Test Conditions		Min.	Typ.	Max.	Unit
		V _{DD}	Conditions				
V _{IH}	Input High Voltage for I/O Ports	5V	—	3.5	—	5	V
		—		0.8V _{DD}	—	V _{DD}	
	Input High Voltage for RES Pin	—	—	0.9V _{DD}	—	V _{DD}	V
R _{PH}	Pull-high Resistance for I/O Ports	3V	—	20	60	100	kΩ
		5V		10	30	50	
I _{LEAK}	Input Leakage Current	3V	V _{IN} =V _{DD} or V _{IN} =V _{SS}	—	—	±1	μA
		5V		—	—	±1	
SR _{RISE}	Output Rising Edge Slew Rate for I/O Ports	3V	SLEWC _n [m+1, m]=00B (n=0,1..., m=0 or 2 or 4 or 6), 0.1V _{DD} to 0.9V _{DD} or 0.9V _{DD} to 0.1V _{DD} , C _{LOAD} =20pF	150	—	—	V/μs
		5V		380	—	—	
		3V	SLEWC _n [m+1, m]=01B (n=0,1..., m=0 or 2 or 4 or 6), 0.1V _{DD} to 0.9V _{DD} or 0.9V _{DD} to 0.1V _{DD} , C _{LOAD} =20pF	—	87	—	V/μs
		5V		—	240	—	
		3V	SLEWC _n [m+1, m]=10B (n=0,1..., m=0 or 2 or 4 or 6), 0.1V _{DD} to 0.9V _{DD} or 0.9V _{DD} to 0.1V _{DD} , C _{LOAD} =20pF	—	45	—	V/μs
		5V		—	120	—	
3V	SLEWC _n [m+1, m]=11B (n=0,1..., m=0 or 2 or 4 or 6), 0.1V _{DD} to 0.9V _{DD} or 0.9V _{DD} to 0.1V _{DD} , C _{LOAD} =20pF	—	20	—	V/μs		
5V		—	60	—			
SR _{FALL}	Output Falling Edge Slew Rate for I/O Ports	3V	SLEWC _n [m+1, m]=00B (n=0,1..., m=0 or 2 or 4 or 6), 0.1V _{DD} to 0.9V _{DD} or 0.9V _{DD} to 0.1V _{DD} , C _{LOAD} =20pF	200	—	—	V/μs
		5V		500	—	—	
		3V	SLEWC _n [m+1, m]=01B (n=0,1..., m=0 or 2 or 4 or 6), 0.1V _{DD} to 0.9V _{DD} or 0.9V _{DD} to 0.1V _{DD} , C _{LOAD} =20pF	—	61	—	V/μs
		5V		—	180	—	
		3V	SLEWC _n [m+1, m]=10B (n=0,1..., m=0 or 2 or 4 or 6), 0.1V _{DD} to 0.9V _{DD} or 0.9V _{DD} to 0.1V _{DD} , C _{LOAD} =20pF	—	29	—	V/μs
		5V		—	90	—	
3V	SLEWC _n [m+1, m]=11B (n=0,1..., m=0 or 2 or 4 or 6), 0.1V _{DD} to 0.9V _{DD} or 0.9V _{DD} to 0.1V _{DD} , C _{LOAD} =20pF	—	15	—	V/μs		
5V		—	45	—			
I _{OL}	Sink Current for I/O Ports	3V	V _{OL} =0.1V _{DD} , DRVCC _n [m]=0	1	2	—	mA
		5V	(n=0,1..., m=0,1,...,7)	2	4	—	
		3V	V _{OL} =0.1V _{DD} , DRVCC _n [m]=1	5	10	—	mA
		5V	(n=0,1..., m=0,1,...,7)	10	20	—	
I _{OH}	Source Current for I/O Ports	3V	V _{OL} =0.9V _{DD} , DRVCC _n [m]=0	-1	-2	—	mA
		5V	(n=0,1..., m=0,1,...,7)	-2	-4	—	
		3V	V _{OL} =0.9V _{DD} , DRVCC _n [m]=1	-1	-5	—	mA
		5V	(n=0,1..., m=0,1,...,7)	-5	-10	—	

Symbol	Parameter	Test Conditions		Min.	Typ.	Max.	Unit
		V _{DD}	Conditions				
V _{OL}	Output Low Voltage for I/O Ports	3V	I _{OL} =1mA, DRVCCn[m]=0 (n=0,1,..., m=0,1,...,7)	—	—	0.3	V
		5V	I _{OL} =2mA, DRVCCn[m]=0 (n=0,1,..., m=0,1,...,7)	—	—	0.5	V
		3V	I _{OL} =5mA, DRVCCn[m]=1 (n=0,1,..., m=0,1,...,7)	—	—	0.3	V
		5V	I _{OL} =10mA, DRVCCn[m]=1 (n=0,1,..., m=0,1,...,7)	—	—	0.5	V
V _{OH}	Output High Voltage for I/O Ports	3V	I _{OH} =-1mA, DRVCCn[m]=0 (n=0,1,..., m=0,1,...,7)	2.7	—	—	V
		5V	I _{OH} =-2mA, DRVCCn[m]=0 (n=0,1,..., m=0,1,...,7)	4.5	—	—	V
		3V	I _{OH} =-1mA, DRVCCn[m]=1 (n=0,1,..., m=0,1,...,7)	2.7	—	—	V
		5V	I _{OH} =-5mA, DRVCCn[m]=1 (n=0,1,..., m=0,1,...,7)	4.5	—	—	V

A.C. Characteristics

T_a=25°C

Symbol	Parameter	Test Conditions		Min.	Typ.	Max.	Unit
		V _{DD}	Conditions				
f _{sys}	System Clock (HXT)	2.2V~5.5V	f _{sys} =f _{HXT} =6MHz	—	6	—	MHz
		2.7V~5.5V	f _{sys} =f _{HXT} =12MHz	—	12	—	MHz
		3.3V~5.5V	f _{sys} =f _{HXT} =16MHz	—	16	—	MHz
	System Clock (HIRC)	2.7V~5.5V	f _{sys} =f _{HIRC} =12MHz	—	12	—	MHz
	System Clock (LIRC)	2.2V~5.5V	f _{sys} =f _{LIRC} =32kHz	—	32	—	kHz
f _{HIRC}	High Speed Internal RC Oscillator (HIRC, trim 12MHz at V _{DD} =5V)	4.4V~5.25V	USB mode and CLKADJ=1, UDP/UDN plug in the HOST, T _a =-40°C~85°C	-0.25%	12	+0.25%	MHz
			T _a =25°C	-2%	12	+2%	MHz
		5V	T _a =0°C~70°C	-3%	12	+3%	MHz
			T _a =-40°C~85°C	-5%	12	+5%	MHz
			T _a =0°C~70°C	-7%	12	+7%	MHz
2.7V~5.5V	T _a =-40°C~85°C	-10%	12	+10%	MHz		
	f _{LIRC}	Low Speed Internal RC Oscillator (LIRC)	2.2V~5.5V	T _a =25°C	-5%	32	+5%
T _a =-40°C~85°C			-10%	32	+10%		
t _{TCK}	STCK, PTCKn Input Pin Minimum Pulse Width	—	—	0.3	—	—	μs
t _{TPI}	STPI, PTPnI Input Pin Minimum Pulse Width	—	—	0.3	—	—	μs
t _{INT}	External Interrupt Minimum Pulse Width	—	—	10	—	—	μs
t _{RES}	External Reset Minimum Low Pulse Width	—	—	10	—	—	μs

Symbol	Parameter	Test Conditions		Min.	Typ.	Max.	Unit
		V _{DD}	Conditions				
t _{SST}	System Start-up Timer Period (Wake-up from Power Down Mode and f _{sys} Off, RES Pin Reset)	—	f _{sys} =f _{HXT} ~ f _{HXT} /64	—	128	—	t _{sys}
			f _{sys} =f _{HIRC} ~ f _{HIRC} /64	—	16	—	t _{sys}
			f _{PLL} off → on (PLL=1)	—	2560	—	t _{PLL} (48MHz)
			f _{sys} =f _{LIRC}	—	2	—	t _{sys}
	System Start-up Timer Period (Slow Mode ↔ Normal Mode, or f _H =f _{HIRC} ↔ f _{HXT})	—	f _{HXT} off → on (HXTF=1)	—	1024	—	t _{HXT}
			f _{HIRC} off → on (HIRCF=1)	—	16	—	t _{HIRC}
			f _{PLL} off → on (PLL=1)	—	2560	—	t _{PLL} (48MHz)
	System Start-up Timer Period (Wake-up from Power Down Mode and f _{sys} On)	—	f _{sys} =f _H ~ f _H /64, f _H =f _{HXT} or f _{HIRC} or f _{PLL}	—	2	—	t _{sys}
f _{sys} =f _{LIRC}			—	2	—	t _{sys}	
t _{RSTD}	System Reset Delay Time (Power-on Reset, LVR Hardware Reset, LVR Software Reset, WDT Software Reset)	—	—	25	50	100	ms
	System Reset Delay Time (RES Pin Reset, WDT Time-out Hardware Cold Reset)	—	—	8.3	16.7	33.3	ms
t _{SRESET}	Minimum Software Reset Width to Reset	—	—	45	90	120	μs
t _{DEW}	Data EEPROM Write Time	—	—	—	2	4	ms

A/D Converter Electrical Characteristics

T_a=-40°C~85°C, unless otherwise specify

Symbol	Parameter	Test Conditions		Min.	Typ.	Max.	Unit
		V _{DD}	Conditions				
V _{DD}	Operating Voltage	—	—	2.2	—	5.5	V
V _{ADI}	Input Voltage	—	—	0	—	V _{REF}	V
V _{REF}	Reference Voltage	—	—	2	—	V _{DD}	V
DNL	Differential Non-linearity	3V	SAINS[3:0]=0000B, SAVRS[1:0]=01B, V _{REF} =V _{DD} , t _{ADCK} =0.5μs	—	—	±3	LSB
		5V					
		3V	SAINS[3:0]=0000B, SAVRS[1:0]=01B, V _{REF} =V _{DD} , t _{ADCK} =10μs				
		5V					
INL	Integral Non-linearity	3V	SAINS[3:0]=0000B, SAVRS[1:0]=01B, V _{REF} =V _{DD} , t _{ADCK} =0.5μs	—	—	±4	LSB
		5V					
		3V	SAINS[3:0]=0000B, SAVRS[1:0]=01B, V _{REF} =V _{DD} , t _{ADCK} =10μs				
		5V					
I _{ADC}	Additional Current Consumption for A/D Converter Enable	3V	No load, t _{ADCK} =0.5μs	—	0.2	0.4	mA
		5V		—	0.3	0.6	mA
t _{ADCK}	Clock Period	—	—	0.5	—	10	μs
t _{ON2ST}	A/D Converter On-to-Start Time	—	—	4	—	—	μs

Symbol	Parameter	Test Conditions		Min.	Typ.	Max.	Unit
		V _{DD}	Conditions				
t _{ADS}	Sampling Time	—	—	—	4	—	t _{ADCK}
t _{ADC}	Conversion Time (Including A/D Converter Sample and Hold Time)	—	—	—	16	—	t _{ADCK}
GERR	A/D Conversion Gain Error	3V	SAINS[3:0]=0000B, SAVRS[1:0]=01B, V _{REF} =V _{DD}	-4	—	+4	LSB
		5V		-4	—	+4	
OSRR	A/D Conversion Offset Error	3V	SAINS[3:0]=0000B, SAVRS[1:0]=01B, V _{REF} =V _{DD}	-4	—	+4	LSB
		5V		-4	—	+4	
I _{PGA}	Additional Current for PGA Enable	3V	No load	—	250	400	μA
		5V		—	400	550	
V _{CM1}	PGA Common Mode Voltage Range (HT66FB572/HT66FB574)	3V	—	V _{SS} +0.1	—	V _{DD} -1.4	V
		5V		V _{SS} +0.1	—	V _{DD} -1.4	
V _{CM1}	PGA Common Mode Voltage Range (HT66FB576)	3V	—	V _{SS} +0.02	—	V _{DD} -1.4	V
		5V		V _{SS} +0.02	—	V _{DD} -1.4	
V _{OR}	PGA Maximum Output Voltage Range	3V	—	V _{SS} +0.1	—	V _{DD} -0.1	V
		5V		V _{SS} +0.1	—	V _{DD} -0.1	
V _{VR}	Fix Voltage Output of PGA	2.2V~5.5V	V _{RI} =V _{BGREF} (PGAIS=1)	-1%	2	+1%	V
		3.2V~5.5V	V _{RI} =V _{BGREF} (PGAIS=1)	-1%	3	+1%	
		4.2V~5.5V	V _{RI} =V _{BGREF} (PGAIS=1)	-1%	4	+1%	
I _{VR}	V _R Maximum Output Current	2.2V	V _{VR} =2V, ΔV _{VR} =-1%	100	200	—	μA
V _{IR}	PGA Input Voltage Range	3V	Gain=1, PGAIS=0 Relative gain Gain error <±5%	V _{SS} +0.1	—	V _{DD} -1.4	V
		5V		V _{SS} +0.1	—	V _{DD} -1.4	V

LVR/LVD Electrical Characteristics

T_a=25°C

Symbol	Parameter	Test Conditions		Min.	Typ.	Max.	Unit
		V _{DD}	Conditions				
V _{LVR}	Low Voltage Reset Voltage	—	LVR enable, voltage select 2.1V	-5%	2.1	+5%	V
			LVR enable, voltage select 2.55V	-5%	2.55	+5%	
			LVR enable, voltage select 3.15V	-5%	3.15	+5%	
			LVR enable, voltage select 3.8V	-5%	3.8	+5%	
V _{LVD}	Low Voltage Detection Voltage	—	LVD enable, voltage select 2.0V	-5%	2.0	+5%	V
			LVD enable, voltage select 2.2V	-5%	2.2	+5%	
			LVD enable, voltage select 2.4V	-5%	2.4	+5%	
			LVD enable, voltage select 2.7V	-5%	2.7	+5%	
			LVD enable, voltage select 3.0V	-5%	3.0	+5%	
			LVD enable, voltage select 3.3V	-5%	3.3	+5%	
			LVD enable, voltage select 3.6V	-5%	3.6	+5%	
LVD enable, voltage select 4.0V	-5%	4.0	+5%				

Symbol	Parameter	Test Conditions		Min.	Typ.	Max.	Unit
		V _{DD}	Conditions				
I _{LVR/LVDBG}	Operating Current	3V	LVD enable, LVR enable, VBGEN=0	—	—	20	μA
		5V	VBGEN=0	—	20	25	
		3V	LVD enable, LVR enable, VBGEN=1	—	—	25	μA
		5V	VBGEN=1	—	25	30	
t _{LVDS}	LVDO Stable Time	—	For LVR enable, VBGEN=0, LVD off → on	—	—	15	μs
			For LVR disable, VBGEN=0, LVD off → on	—	—	150	
t _{LVR}	Minimum Low Voltage Width to Reset	—	—	120	240	480	μs
t _{LVD}	Minimum Low Voltage Width to Interrupt	—	—	60	120	240	μs
I _{LVR}	Additional Current for LVR Enable	—	LVD disable, VBGEN=0	—	—	20	μA
I _{LVD}	Additional Current for LVD Enable	—	LVR disable, VBGEN=0	—	—	25	μA

Comparator Electrical Characteristics

 T_a=25°C

 All measurement is under Cn+ input voltage = (V_{DD}-1.4)/2 and remain constant

Symbol	Parameter	Test Condition		Min.	Typ.	Max.	Unit
		V _{DD}	Conditions				
V _{DD}	Comparator Operating Voltage	—	—	2.2	—	5.5	V
I _{CMP}	Comparator Operating Current	3V	—	—	—	200	μA
		5V	—	—	—	200	
V _{OS}	Comparator Input Offset Voltage	3V	—	-10	—	+10	mV
		5V	—	-10	—	+10	
V _{HYS}	Hysteresis Width	3V	Hysteresis disable CMPnHYEN=0	0	0	5	mV
			Hysteresis enable CMPnHYEN=1	12	24	36	
		5V	Hysteresis disable CMPnHYEN=0	0	0	5	mV
			Hysteresis enable CMPnHYEN=1	20	40	60	
V _{CM}	Input Common Mode Voltage Range	3V	—	V _{SS}	—	V _{DD} -1.4	V
		5V	—	V _{SS}	—	V _{DD} -1.4	
A _{OL}	Comparator Open Loop Gain	3V	—	60	80	—	dB
		5V	—	60	80	—	
t _{PD}	Comparator Response Time	2.2V~5.5V	With 10mV overdrive	—	—	2	μs
		3V	With 100mV overdrive (Note)	—	200	400	ns
		5V					

 Note: Measured with comparator one input pin at V_{CM} = (V_{DD}-1.4)/2 while the other pin input transition from V_{SS} to (V_{CM}+100mV) or from V_{DD} to (V_{CM}-100mV).

Memory Characteristics

Ta=25°C

Symbol	Parameter	Test Conditions		Min.	Typ.	Max.	Unit
		V _{DD}	Conditions				
V _{RW}	V _{DD} for Read/Write	—	—	V _{DDmin}	—	V _{DDmax}	V
Flash Program / Data EEPROM Memory							
t _{DEW}	Erase/Write Cycle Time – Flash Program Memory	—	—	—	2	3	ms
	Write Cycle Time – Data EEPROM Memory	—	—	—	4	6	
I _{DDPGM}	Programming/Erase Current on V _{DD}	—	—	—	—	5.0	mA
E _P	Cell Endurance – Flash Program Memory	—	—	10K	—	—	E/W
	Cell Endurance – Data EEPROM Memory	—	—	100K	—	—	E/W
t _{RETD}	ROM Data Retention Time	—	Ta=25°C	—	40	—	Year
RAM Data Memory							
V _{DR}	RAM Data Retention Voltage	—	Device in SLEEP Mode	1.0	—	—	V

USB Electrical Characteristics

Ta=25°C

Symbol	Parameter	Test Conditions		Min.	Typ.	Max.	Unit
		V _{DD}	Conditions				
I _{DD}	Operating Current (USB)	3V	f _{SYS} =f _{PLL} =6MHz, No load, USB and PLL on, other peripherals off	—	4.5	9	mA
		5V	—	—	9.5	15	
		3V	f _{SYS} =f _{PLL} =12MHz, No load, USB and PLL on, other peripherals off	—	5	10	mA
		5V	—	—	10.5	16	
I _{SUS}	Suspend Current (USB) (IDLE0 Mode)	5V	f _H off, f _{SUB} =f _{LIRC} on, No load, MCU powered down, USB and PLL on, other peripherals off, SUSP2=0	—	360	450	μA
		5V	f _H off, f _{SUB} =f _{LIRC} on, No load, MCU powered down, USB and PLL on, other peripherals off, SUSP2=1	—	240	330	μA
V _{V330}	3.3V Regulator Output Voltage	5V	I _{V330} =70mA	3.0	3.3	3.6	V
R _{UDP}	Pull-high Resistance of UDP to V330	3.3V	—	-5%	1.5	+5%	kΩ
	Pull-high Resistance of UDP to UBUS	5V	RCTRL=1	5.9	9.2	12.5	kΩ
R _{UDPN}	Pull-high Resistance of UDP/UDN to UBUS	5V	PU=1	300	650	1000	kΩ
R _{PL}	Pull-low Resistance of UBUS	5V	SUSP2=1, RUBUS=0	0.5	1	1.5	MΩ
R _{OD}	Pull-high Resistance of OD0/OD1 to VDD	5V	UMS[2:0]=001B	2	4.7	8	kΩ
I _{OL_OD}	Sink Current of OD0/OD1	5V	UMS[2:0]=001B, V _{OL} =0.1V _{DD}	8	12	—	mA
V _{IH}	Input High Voltage of OD0/OD1	5V	UMS[2:0]=001B, OD1O/OD0O=11B	2	—	5	V
V _{IL}	Input Low Voltage of OD0/OD1	5V	UMS[2:0]=001B, OD1O/OD0O=11B	0	—	0.8	V

Note: For I_{SUS} and R_{UDP}, a 15kΩ resistor should be connected between UDP/UDN pin and GND.

Constant Current LED Driver Electrical Characteristics

Ta=25°C

Symbol	Parameter	Test Conditions		Min.	Typ.	Max.	Unit
		V _{DD}	Conditions				
V _{DD}	Constant Current LED Driver Operating Voltage	—	—	2.7	—	5.5	V
	PWM for RGB LED Operating Voltage	—	—	2.7	—	5.5	V
I _{CCS}	Additional Current for Constant Current Function Enable	3V	R _{EXT} =open, CCO _n =off	—	1.7	2.3	mA
			R _{EXT} =1500Ω, CCO _n =off	—	3.5	4	
			R _{EXT} =620Ω, CCO _n =off	—	5.5	6	
		5V	R _{EXT} =open, CCO _n =off	—	2	2.8	mA
			R _{EXT} =1500Ω, CCO _n =off	—	4	4.8	
			R _{EXT} =620Ω, CCO _n =off	—	6	6.8	
I _{CCO}	CCO _n Output Sink Current	—	Current range	8	—	60	mA
accy	CCO _n Output Current Accuracy	—	R _{EXT} =1800Ω	-6	—	+6	%
dl _{CCO}	Current Skew (Channel)	3V/5V	I _{CCO_n} =30mA, V _{CCO_n} =0.7V	—	±1.5	±3	%
	Current Skew (IC)	3V/5V	I _{CCO_n} =30mA, V _{CCO_n} =0.7V	—	±3	±6	%
%/dV _{CCO}	Output Current vs. Output Voltage Regulation	3V/5V	V _{CCO_n} =0.7V~3.0V, I _{CCO_n} =30mA	—	±0.1	—	%/V
%/dV _{DD}	Output Current vs. Supply Voltage Regulation	—	V _{DD} =2.7V~5.5V, V _{CCO_n} =0.7V	—	±1.0	±5.0	%/V

Note: %/dV_{CCO} = $\{ [I_{CCO_n}(\text{at } V_{CCO_n}=3.0V) - I_{CCO_n}(\text{at } V_{CCO_n}=0.7V)] / I_{CCO_n}(\text{at } V_{CCO_n}=1.5V) \} \times 100\% / (3.0V-0.7V)$

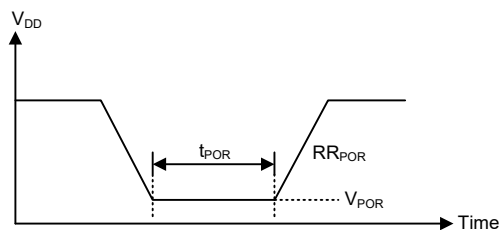
%/dV_{DD} = $\{ [I_{CCO_n}(\text{at } V_{DD}=5.5V) - I_{CCO_n}(\text{at } V_{DD}=2.7V)] / I_{CCO_n}(\text{at } V_{DD}=4V) \} \times 100\% / (5.5V-2.7V)$

The R_{EXT} should be a precision resistance with an error of 1%.

Power-on Reset Characteristics

Ta=25°C

Symbol	Parameter	Test Conditions		Min.	Typ.	Max.	Unit
		V _{DD}	Conditions				
V _{POR}	V _{DD} Start Voltage to Ensure Power-on Reset	—	—	—	—	100	mV
RR _{POR}	V _{DD} Rising Rate to Ensure Power-on Reset	—	—	0.035	—	—	V/ms
t _{POR}	Minimum Time for V _{DD} Stays at V _{POR} to Ensure Power-on Reset	—	—	1	—	—	ms



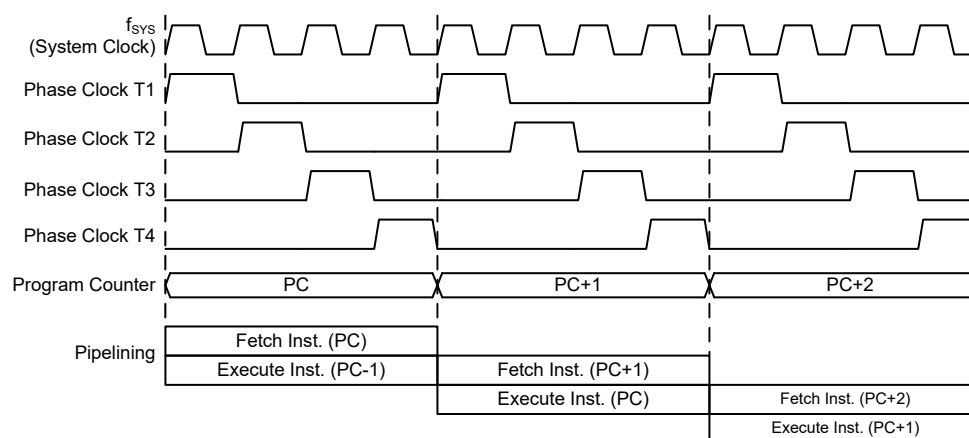
System Architecture

A key factor in the high-performance features of the Holtek range of microcontrollers is attributed to their internal system architecture. The devices take advantage of the usual features found within RISC microcontrollers providing increased speed of operation and enhanced performance. The pipelining scheme is implemented in such a way that instruction fetching and instruction execution are overlapped, hence instructions are effectively executed in one or two cycles for most of the standard or extended instructions respectively. The exceptions to this are branch or call instructions which need one more cycle. An 8-bit wide ALU is used in practically all instruction set operations, which carries out arithmetic operations, logic operations, rotation, increment, decrement, branch decisions, etc. The internal data path is simplified by moving data through the Accumulator and the ALU. Certain internal registers are implemented in the Data Memory and can be directly or indirectly addressed. The simple addressing methods of these registers along with additional architectural features ensure that a minimum of external components is required to provide a functional I/O and A/D control system with maximum reliability and flexibility. This makes the devices suitable for low-cost, high-volume production for controller applications.

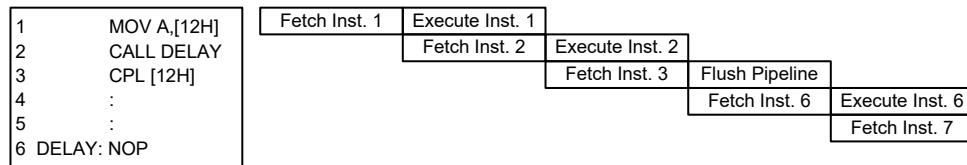
Clocking and Pipelining

The main system clock, derived from either a HXT, HIRC or LIRC oscillator is subdivided into four internally generated non-overlapping clocks, T1~T4. The Program Counter is incremented at the beginning of the T1 clock during which time a new instruction is fetched. The remaining T2~T4 clocks carry out the decoding and execution functions. In this way, one T1~T4 clock cycle forms one instruction cycle. Although the fetching and execution of instructions takes place in consecutive instruction cycles, the pipelining structure of the microcontroller ensures that instructions are effectively executed in one instruction cycle. The exception to this are instructions where the contents of the Program Counter are changed, such as subroutine calls or jumps, in which case the instruction will take one more instruction cycle to execute.

For instructions involving branches, such as jump or call instructions, two machine cycles are required to complete instruction execution. An extra cycle is required as the program takes one cycle to first obtain the actual jump or call address and then another cycle to actually execute the branch. The requirement for this extra cycle should be taken into account by programmers in timing sensitive applications.



System Clocking and Pipelining



Instruction Fetching

Program Counter

During program execution, the Program Counter is used to keep track of the address of the next instruction to be executed. It is automatically incremented by one each time an instruction is executed except for instructions, such as “JMP” or “CALL” that demand a jump to a non-consecutive Program Memory address. As the HT66FB574 and HT66FB576 devices memory capacity is greater than 8K words, the Program Memory address may be located in a certain program memory bank which is selected by the program memory bank pointer register PBP. Only the lower 8 bits, known as the Program Counter Low Register, are directly addressable by the application program.

When executing instructions requiring jumps to non-consecutive addresses such as a jump instruction, a subroutine call, interrupt or reset, etc., the microcontroller manages program control by loading the required address into the Program Counter. For conditional skip instructions, once the condition has been met, the next instruction, which has already been fetched during the present instruction execution, is discarded and a dummy cycle takes its place while the correct instruction is obtained.

Device	Program Counter	
	Program Counter High Byte	PCL Register
HT66FB572	PC12~PC8	PCL7~PCL0
HT66FB574	PBP0, PC12~PC8	
HT66FB576	PBP1~PBP0, PC12~PC8	

Program Counter

The lower byte of the Program Counter, known as the Program Counter Low register or PCL, is available for program control and is a readable and writeable register. By transferring data directly into this register, a short program jump can be executed directly; however, as only this low byte is available for manipulation, the jumps are limited to the present page of memory that is 256 locations. When such program jumps are executed it should also be noted that a dummy cycle will be inserted. Manipulating the PCL register may cause program branching, so an extra cycle is needed to pre-fetch.

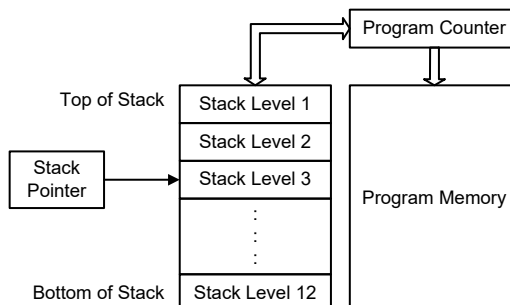
Stack

This is a special part of the memory which is used to save the contents of the Program Counter only. The stack is organized into 12 levels and neither part of the data nor part of the program space, and is neither readable nor writeable. The activated level is indexed by the Stack Pointer, and is neither readable nor writeable. At a subroutine call or interrupt acknowledge signal, the contents of the Program Counter are pushed onto the stack. At the end of a subroutine or an interrupt routine, signaled by a return instruction, RET or RETI, the Program Counter is restored to its previous value from the stack. After a device reset, the Stack Pointer will point to the top of the stack.

If the stack is full and an enabled interrupt takes place, the interrupt request flag will be recorded but the acknowledge signal will be inhibited. When the Stack Pointer is decremented, by RET or RETI,

the interrupt will be serviced. This feature prevents stack overflow allowing the programmer to use the structure more easily. However, when the stack is full, a CALL subroutine instruction can still be executed which will result in a stack overflow. Precautions should be taken to avoid such cases which might cause unpredictable program branching.

If the stack is overflow, the first Program Counter save in the stack will be lost.



Arithmetic and Logic Unit – ALU

The arithmetic-logic unit or ALU is a critical area of the microcontroller that carries out arithmetic and logic operations of the instruction set. Connected to the main microcontroller data bus, the ALU receives related instruction codes and performs the required arithmetic or logical operations after which the result will be placed in the specified register. As these ALU calculation or operations may result in carry, borrow or other status changes, the status register will be correspondingly updated to reflect these changes. The ALU supports the following functions:

- Arithmetic operations:
 ADD, ADDM, ADC, ADCM, SUB, SUBM, SBC, SBCM, DAA,
 LADD, LADDM, LADC, LADCM, LSUB, LSUBM, LSBC, LSBCM, LDAA
- Logic operations:
 AND, OR, XOR, ANDM, ORM, XORM, CPL, CPLA,
 LAND, LANDM, LOR, LORM, LXOR, LXORM, LCPL, LCPLA
- Rotation:
 RRA, RR, RRCA, RRC, RLA, RL, RLCA, RLC,
 LRR, LRRCA, LRR, LRLA, LRL, LRLCA, LRLC
- Increment and Decrement:
 INCA, INC, DECA, DEC,
 LINCA, LINC, LDECA, LDEC
- Branch decision:
 JMP, SZ, SZA, SNZ, SIZ, SDZ, SIZA, SDZA, CALL, RET, RETI,
 LSNZ, LSZ, LSZA, LSIZ, LSIZA, LSDZ, LSDZA

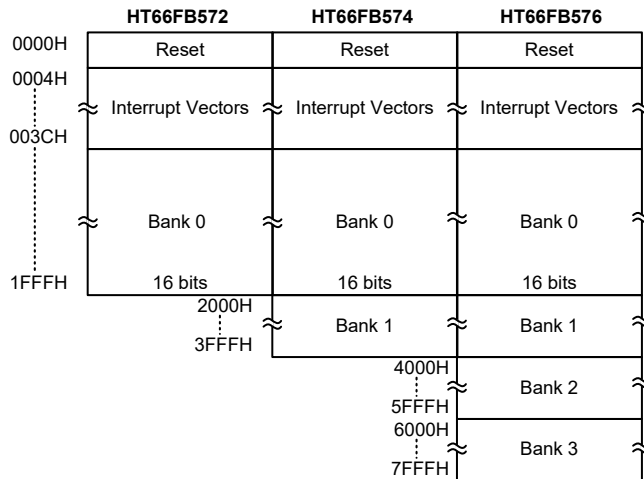
Flash Program Memory

The Program Memory is the location where the user code or program is stored. For these devices the Program Memory is Flash type, which means it can be programmed and re-programmed a large number of times, allowing the user the convenience of code modification on the same device. By using the appropriate programming tools, these Flash devices offer users the flexibility to conveniently debug and develop their applications while also offering a means of field programming and updating.

Device	Capacity	Banks
HT66FB572	8K×16	0
HT66FB574	16K×16	0~1
HT66FB576	32K×16	0~3

Structure

The Program Memory has a capacity of 8K×16 to 32K×16 bits. The Program Memory is addressed by the Program Counter and also contains data, table information and interrupt entries. Table data, which can be setup in any location within the Program Memory, is addressed by a separate table pointer register.



Program Memory Structure

Special Vectors

Within the Program Memory, certain locations are reserved for the reset and interrupts. The location 0000H is reserved for use by these devices reset for program initialisation. After a device reset is initiated, the program will jump to this location and begin execution.

Look-up Table

Any location within the Program Memory can be defined as a look-up table where programmers can store fixed data. To use the look-up table, the table pointer must first be setup by placing the address of the look up data to be retrieved in the table pointer register, TBLP and TBHP. These registers define the total address of the look-up table.

After setting up the table pointer, the table data can be retrieved from the Program Memory using the corresponding table read instruction such as “TABRD [m]” when the memory [m] is located in sector 0. If the memory [m] is located in other sectors, the data can be retrieved from the program memory using the corresponding extended table read instruction such as “LTABRD [m]”. When the instruction is executed, the lower order table byte from the Program Memory will be transferred to the user defined Data Memory register [m] as specified in the instruction. The higher order table data byte from the Program Memory will be transferred to the TBLH special register.

The accompanying diagram illustrates the addressing data flow of the look-up table.

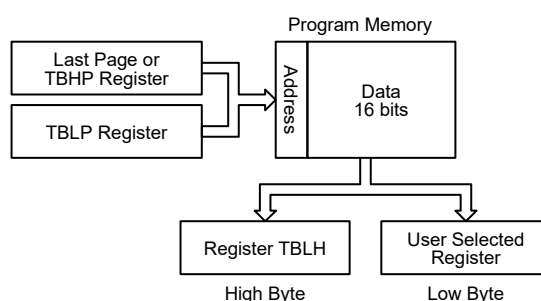


Table Program Example

The following example shows how the table pointer and table data is defined and retrieved from the microcontroller. This example uses raw table data located in the Program Memory which is stored there using the ORG statement.

The value at this ORG statement is “1F00H” which is located in ROM Bank 3 and refers to the start address of the last page within the 32K words Program Memory of the HT66FB576 device if the ISP bootloader provided by Holtek IDE tool is not used. The table pointer low byte register is setup here to have an initial value of “06H”. This will ensure that the first data read from the data table will be at the Program Memory address “7F06H” or 6 locations after the start of the last page. Note that the value for the table pointer is referenced to the first address of the present page pointed by the TBHP register if the “TABRD [m]” instruction is being used. The high byte of the table data which in this case is equal to zero will be transferred to the TBLH register automatically when the “TABRD [m]” instruction is executed.

Because the TBLH register is a read/write register and can be restored, care should be taken to ensure its protection if both the main routine and Interrupt Service Routine use table read instructions. If using the table read instructions, the Interrupt Service Routines may change the value of the TBLH and subsequently cause errors if used again by the main routine. As a rule it is recommended that simultaneous use of the table read instructions should be avoided. However, in situations where simultaneous use cannot be avoided, the interrupts should be disabled prior to the execution of any main routine table-read instructions. Note that all table related instructions require two instruction cycles to complete their operation.

Table Read Program Example – HT66FB576

```

rombank 3 code3
ds .section 'data'
tempreg1 db ?      ; temporary register#1
tempreg2 db ?      ; temporary register#2
:
:
code0 .section 'code'
mov a,06h          ; initialise table pointer - note that this address is referenced
mov tblp,a         ; to the last page or the page that tblp pointed
mov a,7fh          ; initialise high table pointer
mov tbhp,a
:
:
tabrd tempreg1     ; transfers value in table referenced by table pointer
                  ; data at program memory address "7F06H" transferred to
                  ; tempreg1 and TBLH
dec tblp           ; reduce value of table pointer by one
tabrd tempreg2     ; transfers value in table referenced by table pointer
                  ; data at program memory address "7F05H" transferred to
                  ; tempreg2 and TBLH
                  ; in this example the data "1AH" is transferred to
                  ; tempreg1 and data "0FH" to tempreg2
                  ; the value "00H" will be transferred to the high byte register TBLH
:
:
code3 .section 'code'
org 1F00h          ; sets initial address of last page
dc 00Ah,00Bh,00Ch,00Dh,00Eh,00Fh,01Ah,01Bh

```

In Circuit Programming – ICP

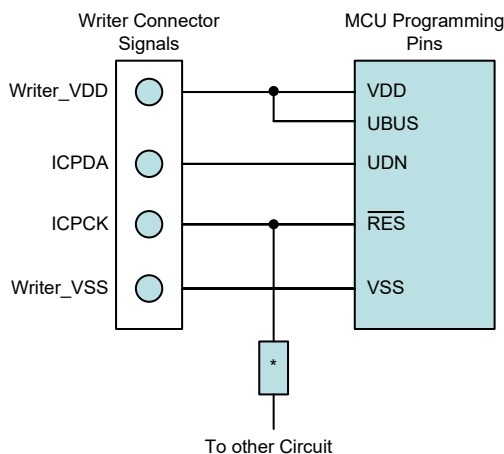
The provision of Flash type Program Memory provides the user with a means of convenient and easy upgrades and modifications to their programs on the same device.

As an additional convenience, Holtek has provided a means of programming the microcontroller in-circuit using a 4-pin interface. This provides manufacturers with the possibility of manufacturing their circuit boards complete with a programmed or un-programmed microcontroller, and then programming or upgrading the program at a later stage. This enables product manufacturers to easily keep their manufactured products supplied with the latest program releases without removal and re-insertion of the device.

Holtek Writer Pins	MCU Programming Pins	Pin Description
ICPDA	UDN	Programming Serial Data/Address
ICPCK	RES	Programming Clock
VDD	VDD & UBUS	Power Supply
VSS	VSS	Ground

The Program Memory can be programmed serially in-circuit using this 4-wire interface. Data is downloaded and uploaded serially on a single pin with an additional line for the clock. Two additional lines are required for the power supply and one line for the reset. The technical details regarding the in-circuit programming of the device is beyond the scope of this document and will be supplied in supplementary literature.

During the programming process, the user must take care of the UDN and $\overline{\text{RES}}$ pins for data and clock programming purposes to ensure that no other outputs are connected to these two pins.



Note: * may be resistor or capacitor. The resistance of * must be greater than 300Ω or the capacitance of * must be less than 1nF.

On-Chip Debug Support – OCDS

There are EV chips named HT66VB572/HT66VB574/HT66VB576 which are used to emulate the HT66FB572/HT66FB574/HT66FB576 devices. The EV chip device also provides an “On-Chip Debug” function to debug the real MCU device during the development process. The EV chip and the real MCU device are almost functionally compatible except for “On-Chip Debug” function. Users can use the EV chip device to emulate the real chip device behavior by connecting the OCSDA and OCDSCK pins to the Holtek HT-IDE development tools. The OCSDA pin is the OCDS Data/Address input/output pin while the OCDSCK pin is the OCDS clock input pin. When users use the EV chip for debugging, other functions which are shared with the OCSDA and OCDSCK pins in the devices will have no effect in the EV chip. However, the two OCDS pins which are pin-shared with the ICP programming pins are still used as the Flash Memory programming pins for ICP. For more detailed OCDS information, refer to the corresponding document named “Holtek e-Link for 8-bit MCU OCDS User’s Guide”.

Holtek e-Link Pins	EV Chip Pins	Pin Description
OCSDA	OCSDA	On-Chip Debug Support Data/Address input/output
OCDSCK	OCDSCK	On-Chip Debug Support Clock input
VDD	VDD	Power Supply
VSS	VSS	Ground

In Application Programming – IAP

Flash type Program Memory provides the user with a means of convenient and easy upgrades and modifications to their programs on the same device. The provision of not only an IAP function but also an additional ISP function offers users the convenience of Flash Memory multi-programming features. The convenience of the IAP function is that it can execute the updated program procedure using its internal firmware, without requiring an external Program Writer or PC. In addition, the IAP interface can also be any type of communication protocol, such as UART or USB, using I/O pins. Regarding the internal firmware, the user can select versions provided by Holtek or create their own. The following section illustrates the procedures regarding how to implement the IAP firmware.

Flash Memory Read/Write Size

The flash memory Erase and Write operations are carried out in a page format while the Read operation is carried out in a word format. The page size and write buffer size are both assigned with a capacity of 32 or 64 words respectively. Note that the Erase operation should be executed before the Write operation is executed.

When the Flash Memory Erase/Write Function is successfully enabled, the CFWEN bit will be set high. When the CFWEN bit is set high, the data can be written into the write buffer. The FWT bit is used to initiate the write process and then indicate the write operation status. This bit is set high by application programs to initiate a write process and will be cleared by hardware if the write process is finished.

The Read operation can be carried out by executing a specific read procedure. The FRDEN bit is used to enable the read function and the FRD bit is used to initiate the read process by application programs and then indicate the read operation status. When the read process is finished, this bit will be cleared by hardware.

Devices	Program Memory Size	Erase	Write	Read	Page
HT66FB572	8K×16	32 words/page	32 words/time	1 word/time	32 words
HT66FB574	16K×16	64 words/page	64 words/time	1 word/time	64 words
HT66FB576	32K×16				

IAP Operation Format

Erase Page	FARH	FARL [7:5]	FARL [4:0]
0	0000 0000	000	x xxxx
1	0000 0000	001	x xxxx
2	0000 0000	010	x xxxx
3	0000 0000	011	x xxxx
4	0000 0001	100	x xxxx
:	:	:	:
:	:	:	:
254	0001 1111	110	x xxxx
255	0001 1111	111	x xxxx

“x”: don't care

HT66FB572 Erase Page Number and Selection

Erase Page	FARH	FARL [7:6]	FARL [5:0]
0	0000 0000	00	xx xxxx
1	0000 0000	01	xx xxxx
2	0000 0000	10	xx xxxx
3	0000 0000	11	xx xxxx
4	0000 0001	00	xx xxxx
⋮	⋮	⋮	⋮
⋮	⋮	⋮	⋮
254	0011 1111	10	xx xxxx
255	0011 1111	11	xx xxxx

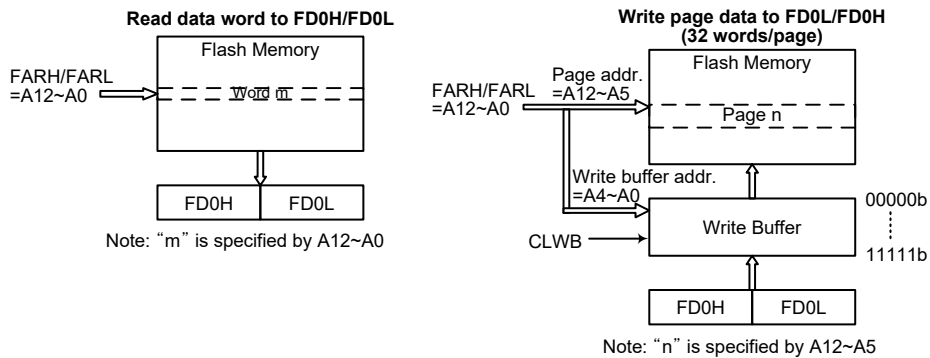
“x”: don't care

HT66FB574 Erase Page Number and Selection

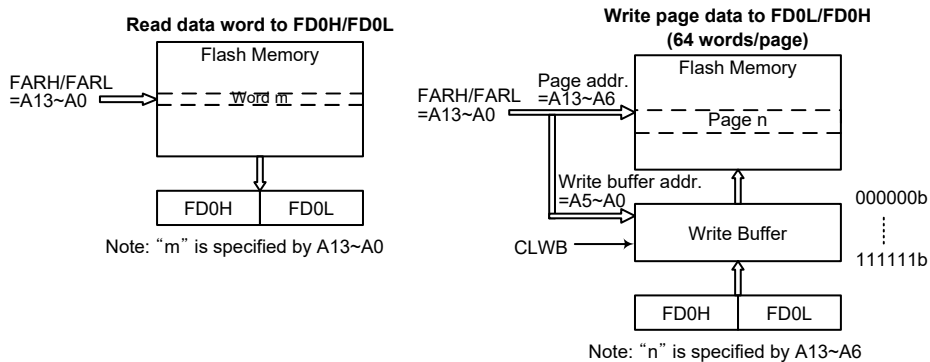
Erase Page	FARH	FARL [7:6]	FARL [5:0]
0	0000 0000	00	xx xxxx
1	0000 0000	01	xx xxxx
2	0000 0000	10	xx xxxx
3	0000 0000	11	xx xxxx
4	0000 0001	00	xx xxxx
⋮	⋮	⋮	⋮
⋮	⋮	⋮	⋮
510	0111 1111	10	xx xxxx
511	0111 1111	11	xx xxxx

“x”: don't care

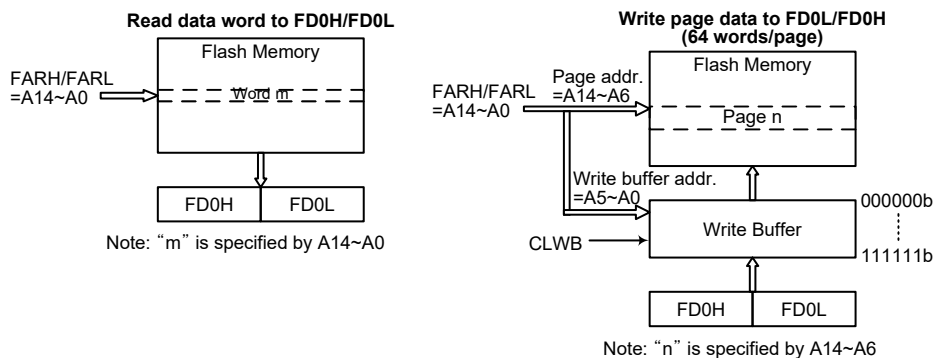
HT66FB576 Erase Page Number and Selection



Flash Memory IAP Read/Write Structure – HT66FB572



Flash Memory IAP Read/Write Structure – HT66FB574



Flash Memory IAP Read/Write Structure – HT66FB576

Write Buffer

The write buffer is used to store the written data temporarily when executing the write operation. The Write Buffer can be filled with written data after the Flash Memory Erase/Write Function has been successfully enabled by executing the Flash Memory Erase/Write Function Enable procedure. The write buffer can be cleared by configuring the CLWB bit in the FRCR register. The CLWB bit can be set high to enable the Clear Write Buffer procedure. When the procedure is finished this bit will be cleared to low by the hardware. It is recommended that the write buffer should be cleared by setting the CLWB bit high before the write buffer is used for the first time or when the data in the write buffer is updated.

The write buffer size is 32 or 64 words corresponding to a page respectively. The write buffer address is mapped to a specific flash memory page specified by the memory address bits, A12~A5, A13~A6 or A14~A6. The data written into the FD0L and FD0H registers will be loaded into the write buffer. When data is written into the high byte data register, FD0H, it will result in the data stored in the high and low byte data registers both being written into the write buffer. It will also cause the flash memory address to be incremented by one, after which the new address will be loaded into the FARH and FARL address registers. When the flash memory address reaches the page boundary, 11111b of a page with 32 words or 111111b of a page with 64 words, the address will now not be incremented but will stop at the last address of the page. At this point a new page address should be specified for any other erase/write operations.

After a write process is finished, the write buffer will automatically be cleared by the hardware. Note that the write buffer should be cleared manually by the application program when the data written into the flash memory is incorrect in the data verification step. The data should again be written into the write buffer after the write buffer has been cleared when the data is found to be incorrect during the data verification step.

IAP Flash Program Memory Registers

There are two address registers, four 16-bit data registers and two control registers. The address and data high byte registers together with the control registers are located in Sector 1 while other registers are located in Sector 0. Read and Write operations to the Flash memory are carried out using 16-bit data operations using the address and data registers and the control register. Several registers control the overall operation of the internal Flash Program Memory. The address registers are named FARL and FARH, the data registers are named FDnL and FDnH and the control registers are named FCR and FRCR. As the FARL and FDnL registers are located in Sector 0, they can be directly accessed in the same way as any other Special Function Register. The FARH, FDnH, FCR and FRCR registers, being located in Sector 1, can be addressed directly only using the corresponding extended instructions or can be read from or written to indirectly using the MP1H/MP1L or MP2H/MP2L Memory Pointer pairs and Indirect Addressing Register, IAR1 or IAR2.

Register Name	Bit							
	7	6	5	4	3	2	1	0
FCR	CFWEN	FMOD2	FMOD1	FMOD0	BWT	FWT	FRDEN	FRD
FRCR	D7	D6	iD	D4	—	—	—	CLWB
FARL	A7	A6	A5	A4	A3	A2	A1	A0
FARH (HT66FB572)	—	—	—	A12	A11	A10	A9	A8
FARH (HT66FB574)	—	—	A13	A12	A11	A10	A9	A8
FARH (HT66FB576)	—	A14	A13	A12	A11	A10	A9	A8
FD0L	D7	D6	D5	D4	D3	D2	D1	D0
FD0H	D15	D14	D13	D12	D11	D10	D9	D8
FD1L	D7	D6	D5	D4	D3	D2	D1	D0
FD1H	D15	D14	D13	D12	D11	D10	D9	D8
FD2L	D7	D6	D5	D4	D3	D2	D1	D0
FD2H	D15	D14	D13	D12	D11	D10	D9	D8
FD3L	D7	D6	D5	D4	D3	D2	D1	D0
FD3H	D15	D14	D13	D12	D11	D10	D9	D8

IAP Registers List

• FARL Register

Bit	7	6	5	4	3	2	1	0
Name	A7	A6	A5	A4	A3	A2	A1	A0
R/W	R/W	R/W	R/W	R/W	R/W	R/W	R/W	R/W
POR	0	0	0	0	0	0	0	0

Bit 7~0 Flash Memory Address bit 7 ~ bit 0

• FARH Register – HT66FB572

Bit	7	6	5	4	3	2	1	0
Name	—	—	—	A12	A11	A10	A9	A8
R/W	—	—	—	R/W	R/W	R/W	R/W	R/W
POR	—	—	—	0	0	0	0	0

Bit 7~5 Unimplemented, read as “0”

Bit 4~0 Flash Memory Address bit 12 ~ bit 8

• FARH Register – HT66FB574

Bit	7	6	5	4	3	2	1	0
Name	—	—	A13	A12	A11	A10	A9	A8
R/W	—	—	R/W	R/W	R/W	R/W	R/W	R/W
POR	—	—	0	0	0	0	0	0

Bit 7~6 Unimplemented, read as “0”

Bit 5~0 Flash Memory Address bit 13 ~ bit 8

• FARH Register – HT66FB576

Bit	7	6	5	4	3	2	1	0
Name	—	A14	A13	A12	A11	A10	A9	A8
R/W	—	R/W	R/W	R/W	R/W	R/W	R/W	R/W
POR	—	0	0	0	0	0	0	0

Bit 7 Unimplemented, read as “0”

Bit 6~0 Flash Memory Address bit 14 ~ bit 8

• FD0L Register

Bit	7	6	5	4	3	2	1	0
Name	D7	D6	D5	D4	D3	D2	D1	D0
R/W	R/W	R/W	R/W	R/W	R/W	R/W	R/W	R/W
POR	0	0	0	0	0	0	0	0

Bit 7~0 The first Flash Memory data word bit 7 ~ bit 0

Note that data written into the low byte data register FD0L will only be stored in the FD0L register and not loaded into the lower 8-bit write buffer.

• FD0H Register

Bit	7	6	5	4	3	2	1	0
Name	D15	D14	D13	D12	D11	D10	D9	D8
R/W	R/W	R/W	R/W	R/W	R/W	R/W	R/W	R/W
POR	0	0	0	0	0	0	0	0

Bit 7~0 The first Flash Memory data word bit 15 ~ bit 8

Note that when 8-bit data is written into the high byte data register FD0H, the whole 16-bits of data stored in the FD0H and FD0L registers will simultaneously be loaded into the 16-bit write buffer after which the contents of the Flash memory address register pair, FARH and FARL, will be incremented by one.

• FD1L Register

Bit	7	6	5	4	3	2	1	0
Name	D7	D6	D5	D4	D3	D2	D1	D0
R/W	R/W	R/W	R/W	R/W	R/W	R/W	R/W	R/W
POR	0	0	0	0	0	0	0	0

Bit 7~0 The second Flash Memory data word bit 7 ~ bit 0

• **FD1H Register**

Bit	7	6	5	4	3	2	1	0
Name	D15	D14	D13	D12	D11	D10	D9	D8
R/W	R/W	R/W	R/W	R/W	R/W	R/W	R/W	R/W
POR	0	0	0	0	0	0	0	0

Bit 7~0 The second Flash Memory data word bit 15 ~ bit 8

• **FD2L Register**

Bit	7	6	5	4	3	2	1	0
Name	D7	D6	D5	D4	D3	D2	D1	D0
R/W	R/W	R/W	R/W	R/W	R/W	R/W	R/W	R/W
POR	0	0	0	0	0	0	0	0

Bit 7~0 The third Flash Memory data word bit 7 ~ bit 0

• **FD2H Register**

Bit	7	6	5	4	3	2	1	0
Name	D15	D14	D13	D12	D11	D10	D9	D8
R/W	R/W	R/W	R/W	R/W	R/W	R/W	R/W	R/W
POR	0	0	0	0	0	0	0	0

Bit 7~0 The third Flash Memory data word bit 15 ~ bit 8

• **FD3L Register**

Bit	7	6	5	4	3	2	1	0
Name	D7	D6	D5	D4	D3	D2	D1	D0
R/W	R/W	R/W	R/W	R/W	R/W	R/W	R/W	R/W
POR	0	0	0	0	0	0	0	0

Bit 7~0 The fourth Flash Memory data word bit 7 ~ bit 0

• **FD3H Register**

Bit	7	6	5	4	3	2	1	0
Name	D15	D14	D13	D12	D11	D10	D9	D8
R/W	R/W	R/W	R/W	R/W	R/W	R/W	R/W	R/W
POR	0	0	0	0	0	0	0	0

Bit 7~0 The fourth Flash Memory data word bit 15 ~ bit 8

• **FCR Register**

Bit	7	6	5	4	3	2	1	0
Name	CFWEN	FMOD2	FMOD1	FMOD0	BWT	FWT	FRDEN	FRD
R/W	R/W	R/W	R/W	R/W	R/W	R/W	R/W	R/W
POR	0	0	0	0	0	0	0	0

Bit 7 **CFWEN**: Flash Memory Erase/Write function enable control

0: Flash memory erase/write function is disabled

1: Flash memory erase/write function has been successfully enabled

When this bit is cleared to 0 by application program, the Flash memory erase/write function is disabled. Note that this bit cannot be set high by application programs. Writing a “1” into this bit results in no action. This bit is used to indicate the Flash memory erase/write function status. When this bit is set to 1 by the hardware, it means that the Flash memory erase/write function is enabled successfully. Otherwise, the

- Flash memory erase/write function is disabled if the bit is zero.
- Bit 6~4 **FMOD2~FMOD0**: Flash memory Mode selection
 000: Write Mode
 001: Page erase Mode
 010: Reserved
 011: Read Mode
 100: Reserved
 101: Reserved
 110: Flash memory Erase/Write function Enable Mode
 111: Reserved
- These bits are used to select the Flash Memory operation modes. Note that the “Flash memory Erase/Write function Enable Mode” should first be successfully enabled before the Erase or Write Flash memory operation is executed.
- Bit 3 **BWT**: Flash memory Erase/Write function enable procedure Trigger
 0: Erase/Write function enable procedure is not triggered or procedure timer times out
 1: Erase/Write function enable procedure is triggered and procedure timer starts to count
- This bit is used to activate the flash memory Erase/Write function enable procedure and an internal timer. It is set by the application programs and cleared by the hardware after 1ms when the internal timer times out. The correct patterns should be written into the FD1L/FD1H, FD2L/FD2H and FD3L/FD3H register pairs respectively within the internal timer time-out period of 1ms.
- Bit 2 **FWT**: Flash memory write initiate control
 0: Do not initiate Flash memory write or indicating that a Flash memory write process has completed
 1: Initiate Flash memory write process
- This bit is set by software and cleared by the hardware when the Flash memory write process has completed. Note that all CPU operations will temporarily cease when this bit is set to 1.
- Bit 1 **FRDEN**: Flash memory read enable control
 0: Flash memory read disable
 1: Flash memory read enable
- This is the Flash memory Read Enable Bit which must be set high before any Flash memory read operations are carried out. Clearing this bit to zero will inhibit Flash memory read operations.
- Bit 0 **FRD**: Flash memory read initiate control
 0: Do not initiate Flash memory read or indicating that a Flash memory read process has completed
 1: Initiate Flash memory read process
- This bit is set by software and cleared by the hardware when the Flash memory read process has completed. Note that all CPU operations will temporarily cease when this bit is set to 1.

Note: The FWT, FRDEN and FRD bits cannot be set to "1" at the same time with a single instruction.

• **FRCR Register**

Bit	7	6	5	4	3	2	1	0
Name	D7	D6	—	D4	—	—	—	CLWB
R/W	R/W	R	—	R/W	—	—	—	R/W
POR	0	0	—	0	—	—	—	0

- Bit 7 **D7:** Reserved bit, cannot be used and must be fixed at 0
- Bit 6 **D6:** Reserved bit
- Bit 5 Unimplemented, read as “0”
- Bit 4 **D4:** Reserved bit, cannot be used and must be fixed at 0
- Bit 3~1 Unimplemented, read as “0”
- Bit 0 **CLWB:** Flash memory Write Buffer Clear control
 - 0: Do not initiate a Write Buffer Clear process or indicating that a Write Buffer Clear process has completed
 - 1: Initiate Write Buffer Clear process

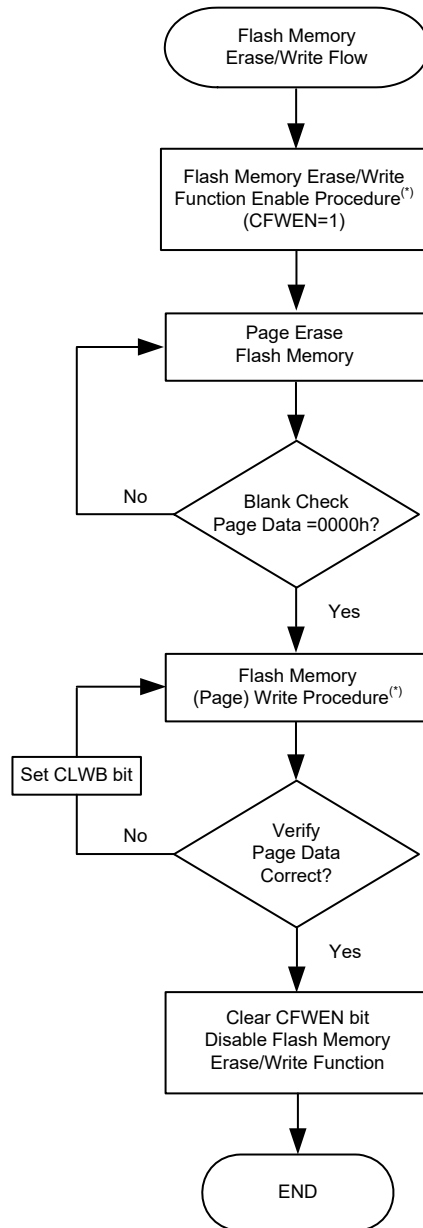
This bit is set by software and cleared by hardware when the Write Buffer Clear process has completed.

Flash Memory Erase/Write Flow

It is important to understand the Flash memory Erase/Write flow before the Flash memory contents are updated. Users can refer to the corresponding operation procedures when developing their IAP program to ensure that the flash memory contents are correctly updated.

Flash Memory Erase/Write Flow Descriptions

1. Activate the “Flash Memory Erase/Write function enable procedure” first. When the Flash Memory Erase/Write function is successfully enabled, the CFWEN bit in the FCR register will automatically be set high by hardware. After this, Erase or Write operations can be executed on the Flash memory. Refer to the “Flash Memory Erase/Write Function Enable Procedure” for details.
2. Configure the flash memory address to select the desired erase page and then erase this page.
3. Execute a Blank Check operation to ensure whether the page erase operation is successful or not. The “TABRD” instruction should be executed to read the flash memory contents and to check if the contents is 0000h or not. If the flash memory page erase operation fails, users should go back to Step 2 and execute the page erase operation again.
4. Write data into the specific page. Refer to the “Flash Memory Write Procedure” for details.
5. Execute the “TABRD” instruction to read the flash memory contents and check if the written data is correct or not. If the data read from the flash memory is different from the written data, it means that the page write operation has failed. The CLWB bit should be set high to clear the write buffer and then write the data into the specific page again if the write operation has failed.
6. Clear the CFWEN bit to disable the Flash Memory Erase/Write function enable mode if the current page Erase and Write operations are complete if no more pages need to be erased or written.



Flash Memory Erase/Write Flow

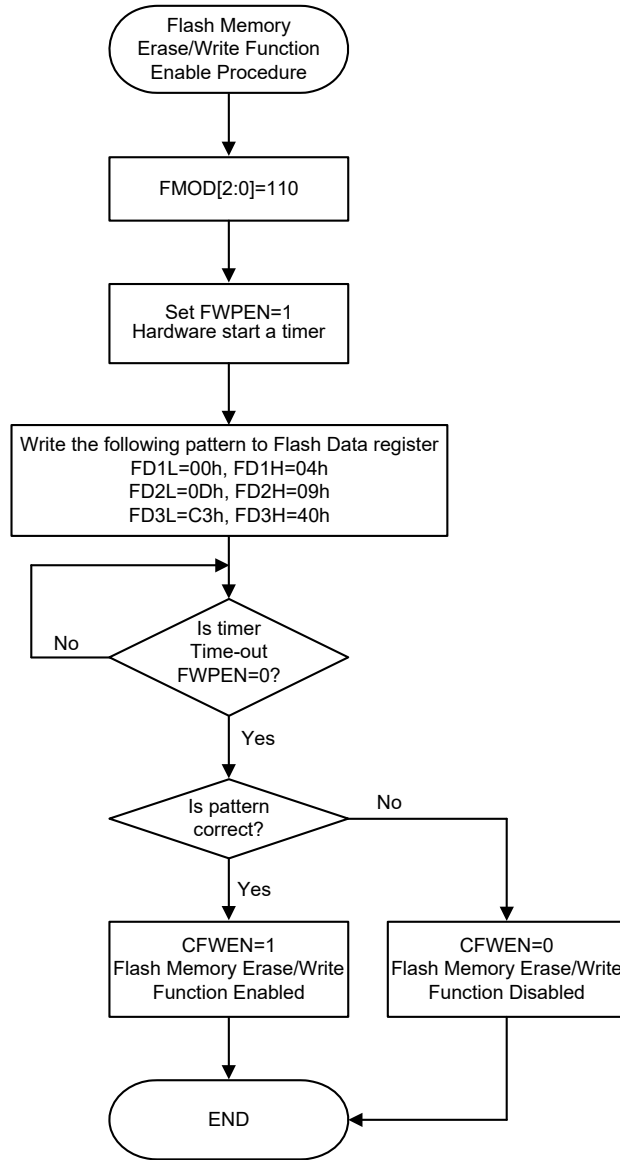
Note: The Flash Memory Erase/Write Function Enable procedure and Flash Memory Write procedure will be described in the following sections.

Flash Memory Erase/Write Function Enable Procedure

The Flash Memory Erase/Write Function Enable Mode is specially designed to prevent the flash memory contents from being wrongly modified. In order to allow users to change the Flash memory data using the IAP control registers, users must first enable the Flash memory Erase/Write function.

Flash Memory Erase/Write Function Enable Procedure Description

1. Write data “110” to the FMOD [2:0] bits in the FCR register to select the Flash Memory Erase/Write Function Enable Mode.
2. Set the BWT bit in the FCR register to “1” to activate the Flash Memory Erase/Write Function. This will also activate an internal timer with a time-out period of 1ms.
3. Write the correct data pattern into the Flash data registers, FD1L~FD3L and FD1H~FD3H, within the time-out period of 1ms. The enable Flash memory erase/write function data pattern is 00H, 0DH, C3H, 04H, 09H and 40H corresponding to the FD1L~FD3L and FD1H~FD3H registers respectively.
4. Once the 1ms timer has timed out, the BWT bit will automatically be cleared to 0 by hardware regardless of the input data pattern.
5. If the written data pattern is incorrect, the Flash memory erase/write function will not be enabled successfully and the above steps should be repeated. If the written data pattern is correct, the Flash memory erase/write function will be enabled successfully.
6. Once the Flash memory erase/write function is enabled, the Flash memory contents can be updated by executing the page erase and write operations using the IAP control registers.
7. To disable the Flash memory erase/write function, the CFWEN bit in the FCR register can be cleared. There is no need to execute the above procedure.



Flash Memory Erase/Write Function Enable Procedure

Flash Memory Write Procedure

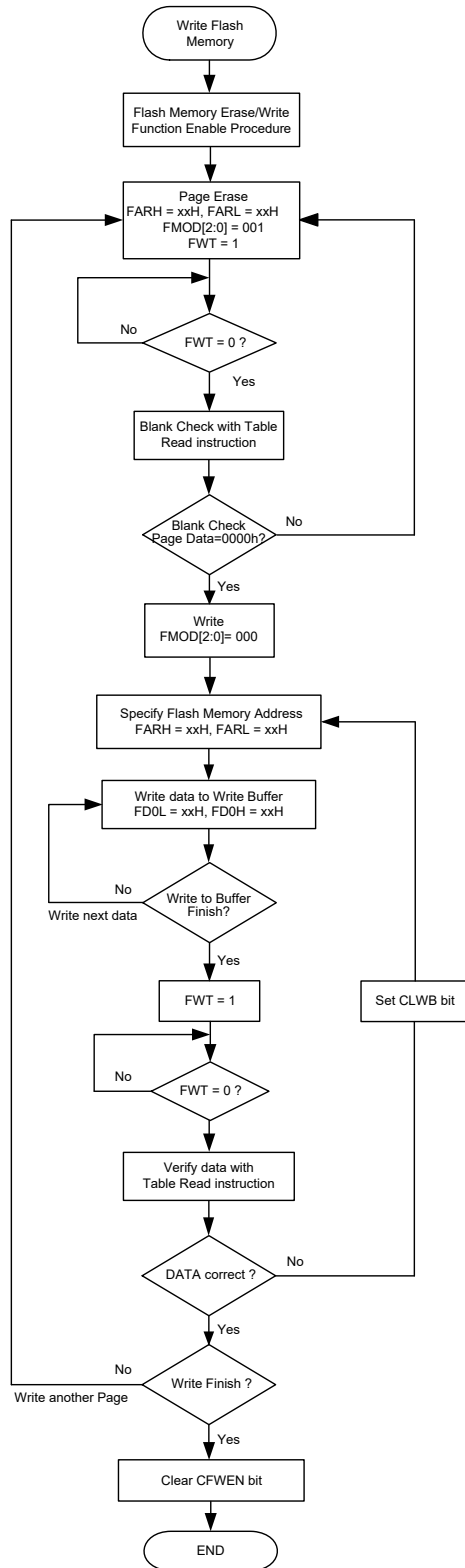
After the Flash memory erase/write function has been successfully enabled as the CFWEN bit is set high, the data to be written into the flash memory can be loaded into the write buffer. The selected flash memory page data should be erased by properly configuring the IAP control registers before the data write procedure is executed.

The write buffer size is 32 or 64 words respectively, known as a page, whose address is mapped to a specific flash memory page specified by the memory address bits, A12~A5, A13~A6 or A14~A6. It is important to ensure that the page where the write buffer data is located is the same one which the memory address bits, specify.

Flash Memory Consecutive Write Description

The maximum amount of write data is 32 or 64 words for each write operation. The write buffer address will be automatically incremented by one when consecutive write operations are executed. The start address of a specific page should first be written into the FARL and FARH registers. Then the data word should first be written into the FD0L register and then the FD0H register. At the same time the write buffer address will be incremented by one and then the next data word can be written into the FD0L and FD0H registers for the next address without modifying the address register pair, FARH and FARL. When the write buffer address reaches the page boundary the address will not be further incremented but will stop at the last address of the page.

1. Activate the “Flash Memory Erase/Write function enable procedure”. Check the CFWEN bit value and then execute the erase/write operations if the CFWEN bit is set high. Refer to the “Flash Memory Erase/Write function enable procedure” for more details.
2. Set the FMOD field to “001” to select the erase operation. Set the FWT bit high to erase the desired page which is specified by the FARH and FARL registers. Wait until the FWT bit goes low.
3. Execute a Blank Check operation using the table read instruction to ensure that the erase operation has successfully completed.
Go to step 2 if the erase operation is not successful.
Go to step 4 if the erase operation is successful.
4. Set the FMOD field to “000” to select the write operation.
5. Setup the desired start address in the FARH and FARL registers. Write the desired data words consecutively into the FD0L and FD0H registers within a page as specified by their consecutive addresses. The maximum written data number is 32 or 64 words.
6. Set the FWT bit high to write the data words from the write buffer to the flash memory. Wait until the FWT bit goes low.
7. Verify the data using the table read instruction to ensure that the write operation has successfully completed.
If the write operation has not successfully completed, set the CLWB bit high to clear the write buffer and then go to step 5.
Go to step 8 if the write operation is successful.
8. Clear the CFWEN bit low to disable the Flash memory erase/write function.



Flash Memory Consecutive Write Procedure

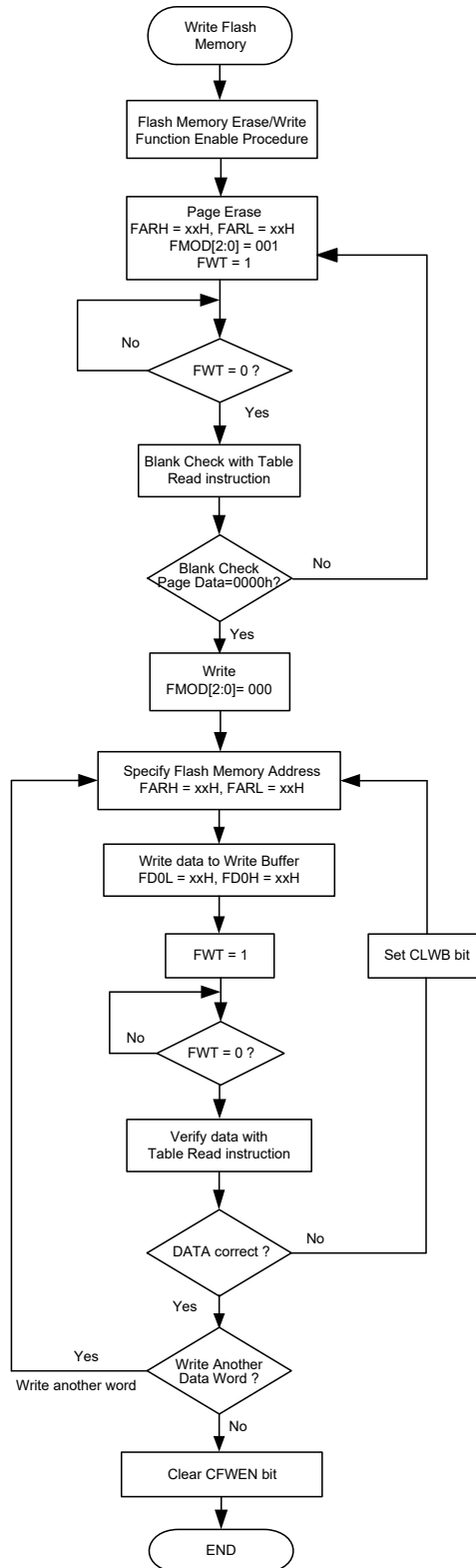
Note: When the FWT bit is set to 1 all CPU operations will temporarily cease.

Flash Memory Non-Consecutive Write Description

The main difference between Flash Memory Consecutive and Non-Consecutive Write operations is whether the data words to be written are located in consecutive addresses or not. If the data to be written is not located in consecutive addresses the desired address should be re-assigned after a data word is successfully written into the Flash Memory.

A two data word non-consecutive write operation is taken as an example here and described as follows:

1. Activate the “Flash Memory Erase/Write function enable procedure”. Check the CFWEN bit value and then execute the erase/write operation if the CFWEN bit is set high. Refer to the “Flash Memory Erase/Write function enable procedure” for more details.
2. Set the FMOD field to “001” to select the erase operation. Set the FWT bit high to erase the desired page which is specified by the FARH and FARL registers. Wait until the FWT bit goes low.
3. Execute a Blank Check operation using the table read instruction to ensure that the erase operation has successfully completed.
Go to step 2 if the erase operation is not successful.
Go to step 4 if the erase operation is successful.
4. Set the FMOD field to “000” to select the write operation.
5. Setup the desired address ADDR1 in the FARH and FRARL registers. Write the desired data word DATA1 first into the FD0L register and then into the FD0H register.
6. Set the FWT bit high to transfer the data word from the write buffer to the flash memory. Wait until the FWT bit goes low.
7. Verify the data using the table read instruction to ensure that the write operation has successfully completed.
If the write operation has not successfully completed, set the CLWB bit high to clear the write buffer and then go to step 5.
Go to step 8 if the write operation is successful.
8. Setup the desired address ADDR2 in the FARH and FRARL registers. Write the desired data word DATA2 first into the FD0L register and then into the FD0H register.
9. Set the FWT bit high to transfer the data word from the write buffer to the flash memory. Wait until the FWT bit goes low.
10. Verify the data using the table read instruction to ensure that the write operation has successfully completed.
If the write operation has not successfully completed, set the CLWB bit high to clear the write buffer and then go to step 8.
Go to step 11 if the write operation is successful.
11. Clear the CFWEN bit low to disable the Flash memory erase/write function.



Flash Memory Non-Consecutive Write Procedure

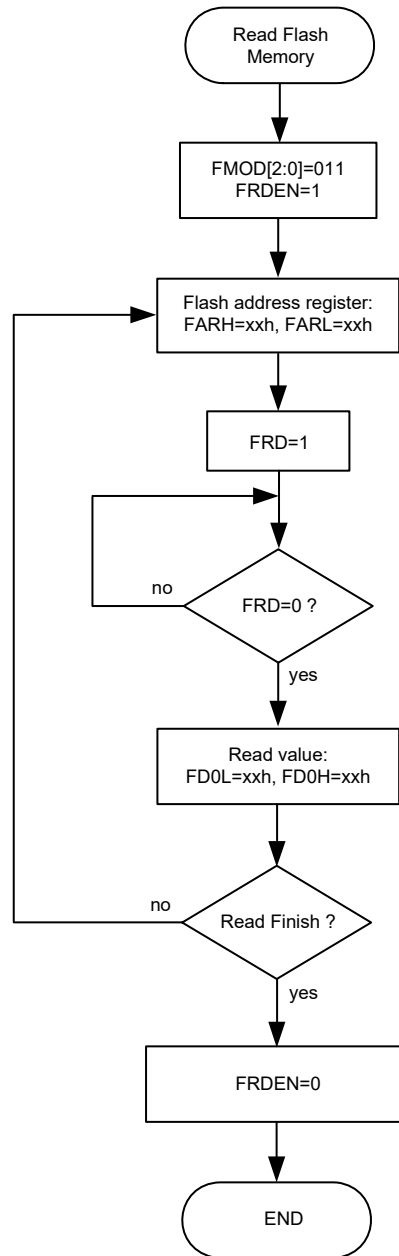
Note: When the FWT bit is set to 1 all CPU operations will temporarily cease.

Important Points to Note for Flash Memory Write Operations

1. The “Flash Memory Erase/Write Function Enable Procedure” must be successfully activated before the Flash Memory erase/write operation is executed.
2. The Flash Memory erase operation is executed to erase a whole page.
3. The whole write buffer data will be written into the flash memory in a page format. The corresponding address cannot exceed the page boundary.
4. Bit 7 ~ bit 1 in the FRCR register must remain at “0” to avoid unpredictable errors during the IAP supported operations.
5. After the data is written into the flash memory the flash memory contents must be read out using the table read instruction, TABRD, and checked if it is correct or not. If the data written into the flash memory is incorrect, the write buffer should be cleared by setting the CLWB bit high and then writing the data again into the write buffer. Then activate a write operation on the same flash memory page without erasing it. The data check, buffer clear and data re-write steps should be repeatedly executed until the data written into the flash memory is correct.
6. The system frequency should be setup to the maximum application frequency when data write and data check operations are executed using the IAP function.

Flash Memory Read Procedure

To activate the Flash Memory Read procedure, the FMOD field should be set to “011” to select the flash memory read mode and the FRDEN bit should be set high to enable the read function. The desired flash memory address should be written into the FARH and FARL registers and then the FRD bit should be set high. After this the flash memory read operation will be activated. The data stored in the specified address can be read from the data registers, FD0H and FD0L, when the FRD bit goes low. There is no need to first activate the Flash Memory Erase/Write Function Enable Procedure before the flash memory read operation is executed.



Flash Memory Read Procedure

Note: When the FRD bit is set to 1 all CPU operations will temporarily cease.

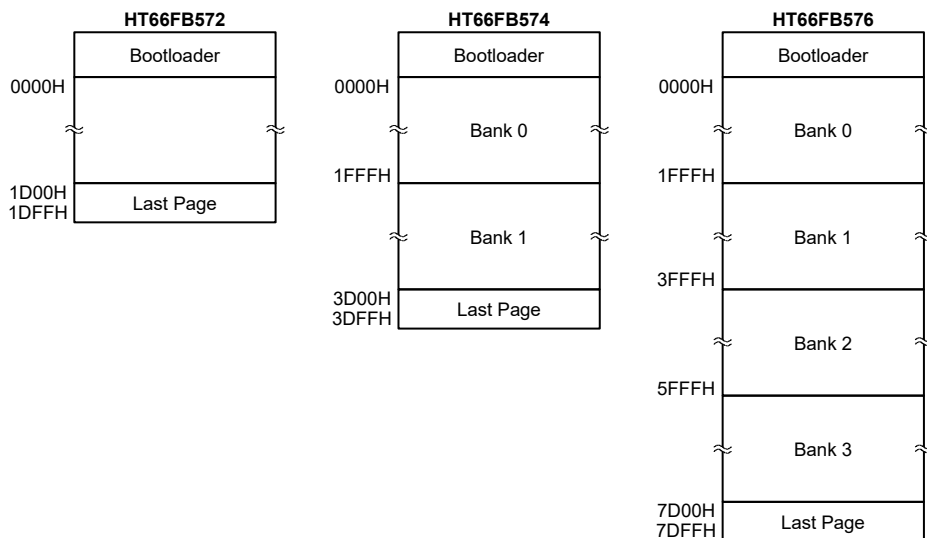
In System Programming – ISP

As an additional convenience, Holtek has provided a means of programming the microcontroller in-system using a two-line USB interface. This provides manufacturers with the possibility of manufacturing their circuit boards complete with a programmed or un-programmed microcontroller and then programming or upgrading the program at a later stage. This enables product manufacturers to easily keep their manufactured products supplied with the latest program releases without removal and re-insertion of the microcontroller device.

The Program Memory can be programmed serially in-system using the USB interface, namely using the UDN and UDP pins. The power is supplied by the UBUS pin. The technical details regarding the in-system programming are beyond the scope of this document and will be supplied in supplementary literature. The Flash Program Memory Read/Write function is implemented using a series of registers.

ISP Bootloader

An ISP Bootloader function is provided to upgrade the software in the Flash memory. The user can utilise either the ISP Bootloader application software provided by the Holtek IDE tools or to create their own Bootloader software. When the Holtek Bootloader software is selected note that it will occupy an area of 0.5K capacity area in the Flash memory. The accompanying diagram illustrates the Flash memory structure including the Holtek Bootloader software.



Flash Program Memory Structure including Bootloader

Data Memory

The Data Memory is a volatile area of 8-bit wide RAM internal memory and is the location where temporary information is stored.

Categorized into three types, the first of these is an area of RAM, known as the Special Function Data Memory. These registers have fixed locations and are necessary for correct operation of the devices. Many of these registers can be read from and written to directly under program control, however, some remain protected from user manipulation. The second area of Data Memory is known as the General Purpose Data Memory, which is reserved for general purpose use. All locations within this area are read and write accessible under program control. The third area is reserved for the LED Memory. The addresses of the LED Memory area overlap those in the General Purpose Data Memory area.

Switching between the different Data Memory sectors is achieved by properly setting the Memory Pointers to the correct value if using the indirect addressing method.

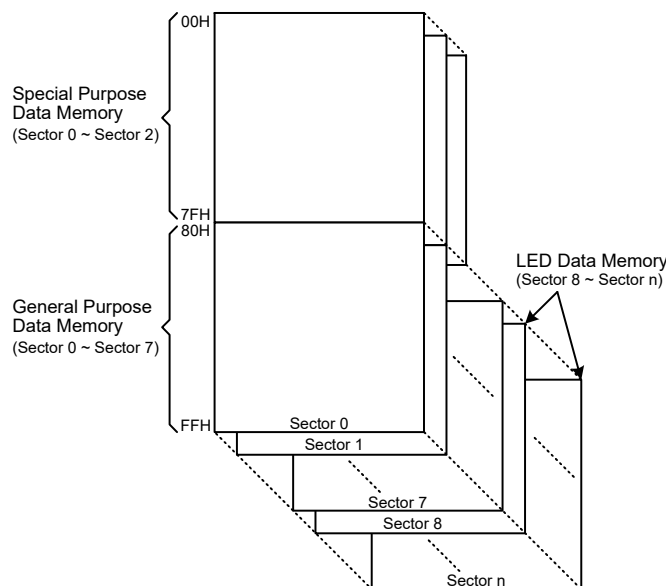
Structure

The Data Memory is subdivided into several sectors, all of which are implemented in 8-bit wide RAM. Each of the Data Memory Sector is categorized into two types, the special Purpose Data Memory and the General Purpose Data Memory.

The address range of the Special Purpose Data Memory for these devices is from 00H to 7FH. The General Purpose Data Memory and the LED Memory address range is from 80H to FFH.

Device	Special Purpose Data Memory	General Purpose Data Memory		LED Memory	
	Located Sectors	Capacity	Sector: Address	Capacity	Sector: Address
HT66FB572	0, 1, 2	1024×8	0: 80H~FFH 1: 80H~FFH : : 6: 80H~FFH 7: 80H~FFH	512×8	8: 80H~FFH 9: 80H~FFH 10: 80H~FFH 11: 80H~FFH
HT66FB574				512×8	8: 80H~FFH 9: 80H~FFH 10: 80H~FFH 11: 80H~FFH
HT66FB576				1024×8	8: 80H~FFH 9: 80H~FFH : : 14: 80H~FFH 15: 80H~FFH

Data Memory Summary



Note: n=11 for HT66FB572/HT66FB574, While n=15 for HT66FB576.

Data Memory Structure

Data Memory Addressing

For these devices that support the extended instructions, there is no Bank Pointer for Data Memory. The Bank Pointer, PBP, is only available for the HT66FB574/HT66FB576 devices Program Memory. For Data Memory the desired Sector is pointed by the MP1H or MP2H register and the certain Data Memory address in the selected sector is specified by the MP1L or MP2L register when using indirect addressing access.

Direct Addressing can be used in all sectors using the corresponding instruction which can address all available data memory space. For the accessed data memory which is located in any data memory sectors except sector 0, the extended instructions can be used to access the data memory instead of using the indirect addressing access. The main difference between standard instructions and extended instructions is that the data memory address “m” in the extended instructions has 12 valid bits for the HT66FB576 device, the high byte indicates a sector and the low byte indicates a specific address.

General Purpose Data Memory

All microcontroller programs require an area of read/write memory where temporary data can be stored and retrieved for use later. It is this area of RAM memory that is known as General Purpose Data Memory. This area of Data Memory is fully accessible by the user programming for both reading and writing operations. By using the bit operation instructions individual bits can be set or reset under program control giving the user a large range of flexibility for bit manipulation in the Data Memory.

Special Purpose Data Memory

This area of Data Memory is where registers, necessary for the correct operation of the microcontroller, are stored. Most of the registers are both readable and writable but some are protected and are readable only, the details of which are located under the relevant Special Function Register section. Note that for locations that are unused, any read instruction to these addresses will return the value “00H”.

	Sector 0	Sector 1	Sector 2		Sector 0	Sector 1	Sector 2
00H	IAR0		LM0IR	40H		FRCR	RAC0E0
01H	MP0		LM0CAR	41H		FCR	
02H	IAR1		LM0CBR	42H	FARL	FARH	RAC1E0
03H	MP1L		LM0CCR	43H	FD0L	FD0H	
04H	MP1H		LM1IR	44H	FD1L	FD1H	RAC2E0
05H	ACC		LM1CAR	45H	FD2L	FD2H	
06H	PCL		LM1CBR	46H	FD3L	FD3H	RAC3E0
07H	TBLP		LM1CCR	47H	PTM2C0		
08H	TBLH		LM2IR	48H	PTM2C1		RAC4E0
09H	TBHP		LM2CAR	49H	PTM2DL		
0AH	STATUS	SLEWC0	LM2CBR	4AH	PTM2DH		RAC5E0
0BH		SLEWC1	LM2CCR	4BH	PTM2AL		
0CH	IAR2	SLEWC2	LM3IR	4CH	PTM2AH		RAC6E0
0DH	MP2L	SLEWC3	LM3CAR	4DH	PTM2RPL		
0EH	MP2H	MF10	LM3CBR	4EH	PTM2RPH		RAC7E0
0FH	RSTFC	MF11	LM3CCR	4FH	WDTC		
10H	INTC0	MF12	LM4IR	50H	SADOL		RBC0E0
11H	INTC1	MF13	LM4CAR	51H	SAD0H		
12H	INTC2	MF14	LM4CBR	52H	SADC0		RBC1E0
13H	INTC3	MF15	LM4CCR	53H	SADC1		
14H	PA	PMPS		54H	SADC2		RBC2E0
15H	PAC	DRVCC0		55H	SCC		
16H	PAPU	DRVCC1		56H	HIRCC		RBC3E0
17H	PAWUEG0	IFS		57H	HXTC	CMP0C	
18H	PAWUEG1	INTEG		58H		CMP1C	RBC4E0
19H	PB	PD		59H	VBGRC		
1AH	PBC	PDC		5AH			RBC5E0
1BH	PBPU	PDPU		5BH			
1CH	PBWU	PDWU		5CH			RBC6E0
1DH	PC			5DH			
1EH	PCC			5EH			RBC7E0
1FH	PCPU			5FH			
20H	PCWU			60H	PLL		LCIO0
21H	PE	PG		61H	TB0C		LCIO1
22H	PEC	PGC		62H	TB1C	PSCR	LFCR
23H	PEPU	PGPU		63H	SYSC		PWMCTL0
24H	PEWU	PGWU		64H	USB_STAT		PWMCTL1
25H	SPIAC0	PAS0		65H	UINT		PWMILM
26H	SPIAC1	PAS1		66H	USC		PWMALM
27H	SPIAD	PBS0		67H	UESR		PWMBLM
28H	LVRC	PBS1		68H	UCC		PWMCLM
29H	LVDC			69H	AWR		PWMIHM
2AH	USR	PCS1		6AH	STLI		PWMAHM
2BH	UCR1	PDS0		6BH	STLO		PWMBHM
2CH	UCR2	PDS1		6CH	SIES		PWMCHM
2DH	TXR_RXR	PES0		6DH	MISC		HLMOS
2EH	BRG			6EH	UFIEN		HLMR
2FH	STMC0			6FH	UFOEN		LLMD
30H	STMC1			70H	UFC0		CCS
31H	STMDL	PGS0		71H	UFC1		
32H	STMDH	PGS1		72H	UFC2		
33H	STMAL			73H	FIFO0		
34H	STMAH			74H	FIFO1		
35H	STMRP			75H	FIFO2		
36H	PTM0C0	PTM1C0		76H	FIFO3		
37H	PTM0C1	PTM1C1		77H	FIFO4		
38H	PTM0DL	PTM1DL		78H	FIFO5		
39H	PTM0DH	PTM1DH		79H	FIFO6		
3AH	PTM0AL	PTM1AL		7AH	FIFO7		
3BH	PTM0AH	PTM1AH		7BH	SIMC0		
3CH	PTM0RPL	PTM1RPL		7CH	SIMC1		
3DH	PTM0RPH	PTM1RPH		7DH	SIMD		
3EH	EEA	EEC		7EH	SIMA/SIMC2		
3FH	EED			7FH	SIMTOC		

□ : Unused, read as 00H

Special Purpose Data Memory – HT66FB572

	Sector 0	Sector 1	Sector 2		Sector 0	Sector 1	Sector 2
00H	IAR0		LM0IR	40H		FRCR	RAC0E0
01H	MP0		LM0CAR	41H		FCR	
02H	IAR1		LM0CBR	42H	FARL	FARH	RAC1E0
03H	MP1L		LM0CCR	43H	FD0L	FD0H	
04H	MP1H		LM1IR	44H	FD1L	FD1H	RAC2E0
05H	ACC		LM1CAR	45H	FD2L	FD2H	
06H	PCL		LM1CBR	46H	FD3L	FD3H	RAC3E0
07H	TBLP		LM1CCR	47H	PTM2C0		
08H	TBLH		LM2IR	48H	PTM2C1		RAC4E0
09H	TBHP		LM2CAR	49H	PTM2DL		
0AH	STATUS	SLEWC0	LM2CBR	4AH	PTM2DH		RAC5E0
0BH	PBP	SLEWC1	LM2CCR	4BH	PTM2AL		
0CH	IAR2	SLEWC2	LM3IR	4CH	PTM2AH		RAC6E0
0DH	MP2L	SLEWC3	LM3CAR	4DH	PTM2RPL		
0EH	MP2H	MFI0	LM3CBR	4EH	PTM2RPH		RAC7E0
0FH	RSTFC	MFI1	LM3CCR	4FH	WDTC		
10H	INTC0	MFI2	LM4IR	50H	SADOL		RBC0E0
11H	INTC1	MFI3	LM4CAR	51H	SAD0H		
12H	INTC2	MFI4	LM4CBR	52H	SADC0		RBC1E0
13H	INTC3	MFI5	LM4CCR	53H	SADC1		
14H	PA	PMPS	LM5IR	54H	SADC2		RBC2E0
15H	PAC	DRVCC0	LM5CAR	55H	SCC		
16H	PAPU	DRVCC1	LM5CBR	56H	HIRCC		RBC3E0
17H	PAWUEG0	IFS	LM5CCR	57H	HXTC	CMP0C	
18H	PAWUEG1	INTEG	LM6IR	58H		CMP1C	RBC4E0
19H	PB	PD	LM6CAR	59H	VBGRC		
1AH	PBC	PDC	LM6CBR	5AH			RBC5E0
1BH	PBPU	PDPU	LM6CCR	5BH			
1CH	PBWU	PDWU	LM7IR	5CH			RBC6E0
1DH	PC		LM7CAR	5DH			
1EH	PCC		LM7CBR	5EH			RBC7E0
1FH	PCPU		LM7CCR	5FH			
20H	PCWU			60H	PLL		LCIO0
21H	PE	PG		61H	TB0C		LCIO1
22H	PEC	PGC		62H	TB1C	PSCR	LFRCR
23H	PEPU	PGPU		63H	SYSC		PWMCTL0
24H	PEWU	PGWU		64H	USB_STAT		PWMCTL1
25H	SPIAC0	PAS0		65H	UINT		PWMILM
26H	SPIAC1	PAS1		66H	USC		PWMALM
27H	SPIAD	PBS0		67H	UESR		PWMBLM
28H	LVRC	PBS1		68H	UCC		PWMCLM
29H	LVDC			69H	AWR		PWMIHM
2AH	USR	PCS1		6AH	STLI		PWMAHM
2BH	UCR1	PDS0		6BH	STLO		PWMBHM
2CH	UCR2	PDS1		6CH	SIES		PWMCHM
2DH	TXR_RXR	PES0		6DH	MISC		HLMOS
2EH	BRG			6EH	UFIEN		HLMR
2FH	STMC0			6FH	UFOEN		LLMD
30H	STMC1			70H	UFC0		CCS
31H	STMDL	PGS0		71H	UFC1		
32H	STMDH	PGS1		72H	UFC2		
33H	STMAL			73H	FIFO0		
34H	STMAH			74H	FIFO1		
35H	STMRP			75H	FIFO2		
36H	PTM0C0	PTM1C0		76H	FIFO3		
37H	PTM0C1	PTM1C1		77H	FIFO4		
38H	PTM0DL	PTM1DL		78H	FIFO5		
39H	PTM0DH	PTM1DH		79H	FIFO6		
3AH	PTM0AL	PTM1AL		7AH	FIFO7		
3BH	PTM0AH	PTM1AH		7BH	SIMC0		
3CH	PTM0RPL	PTM1RPL		7CH	SIMC1		
3DH	PTM0RPH	PTM1RPH		7DH	SIMD		
3EH	EEA	EEC		7EH	SIMA/SIMC2		
3FH	EED			7FH	SIMTOC		

□ : Unused, read as 00H

Special Purpose Data Memory – HT66FB574

	Sector 0	Sector 1	Sector 2		Sector 0	Sector 1	Sector 2
00H	IAR0		LM0IR	40H		FRCR	RAC0E0
01H	MP0		LM0CAR	41H		FCR	RAC0E1
02H	IAR1		LM0CBR	42H	FARL	FARH	RAC1E0
03H	MP1L		LM0CCR	43H	FD0L	FD0H	RAC1E1
04H	MP1H		LM1IR	44H	FD1L	FD1H	RAC2E0
05H	ACC		LM1CAR	45H	FD2L	FD2H	RAC2E1
06H	PCL		LM1CBR	46H	FD3L	FD3H	RAC3E0
07H	TBLP		LM1CCR	47H	PTM2C0		RAC3E1
08H	TBLH		LM2IR	48H	PTM2C1		RAC4E0
09H	TBHP		LM2CAR	49H	PTM2DL		RAC4E1
0AH	STATUS	SLEWC0	LM2CBR	4AH	PTM2DH		RAC5E0
0BH	PBP	SLEWC1	LM2CCR	4BH	PTM2AL		RAC5E1
0CH	IAR2	SLEWC2	LM3IR	4CH	PTM2AH		RAC6E0
0DH	MP2L	SLEWC3	LM3CAR	4DH	PTM2RPL		RAC6E1
0EH	MP2H	MF10	LM3CBR	4EH	PTM2RPH		RAC7E0
0FH	RSTFC	MF11	LM3CCR	4FH	WDTC		RAC7E1
10H	INTC0	MF12	LM4IR	50H	SADOL		RBC0E0
11H	INTC1	MF13	LM4CAR	51H	SAD0H		RBC0E1
12H	INTC2	MF14	LM4CBR	52H	SADC0		RBC1E0
13H	INTC3	MF15	LM4CCR	53H	SADC1		RBC1E1
14H	PA	PMPS	LM5IR	54H	SADC2		RBC2E0
15H	PAC	DRVCC0	LM5CAR	55H	SCC		RBC2E1
16H	PAPU	DRVCC1	LM5CBR	56H	HIRCC		RBC3E0
17H	PAWUEG0	IFS	LM5CCR	57H	HXTC	CMP0C	RBC3E1
18H	PAWUEG1	INTEG	LM6IR	58H		CMP1C	RBC4E0
19H	PB	PD	LM6CAR	59H	VBGRC		RBC4E1
1AH	PBC	PDC	LM6CBR	5AH			RBC5E0
1BH	PBPU	PDPU	LM6CCR	5BH			RBC5E1
1CH	PBWU	PDWU	LM7IR	5CH			RBC6E0
1DH	PC	PF	LM7CAR	5DH			RBC6E1
1EH	PCC	PFC	LM7CBR	5EH			RBC7E0
1FH	PCPU	PFPU	LM7CCR	5FH			RBC7E1
20H	PCWU	PFWU	LM8IR	60H	PLL		LCI00
21H	PE	PG	LM8CAR	61H	TB0C		LCI01
22H	PEC	PGC	LM8CBR	62H	TB1C	PSCR	LCR
23H	PEPU	PGPU	LM8CCR	63H	SYSC		PWMCTL0
24H	PEWU	PGWU	LM9IR	64H	USB_STAT		PWMCTL1
25H	SPIAC0	PAS0	LM9CAR	65H	UINT		PWMILM
26H	SPIAC1	PAS1	LM9CBR	66H	USC		PWMALM
27H	SPIAD	PBS0	LM9CCR	67H	UESR		PWMBLM
28H	LVRC	PBS1	LMAIR	68H	UCC		PWMCLM
29H	LVDC	PCS0	LMACAR	69H	AWR		PWMIHM
2AH	USR	PCS1	LMACBR	6AH	STLI		PWMAHM
2BH	UCR1	PDS0	LMACCR	6BH	STLO		PWMBHM
2CH	UCR2	PDS1	LMBIR	6CH	SIES		PWMCHM
2DH	TXR_RXR	PES0	LMBCAR	6DH	MISC		HLMOS
2EH	BRG		LMBCBR	6EH	UFIEN		HLM
2FH	STMC0		LMBCCR	6FH	UFOEN		LLMD
30H	STMC1		LMCIR	70H	UFC0		CCS
31H	STMDL	PGS0	LMCCAR	71H	UFC1		
32H	STMDH	PGS1	LMCCBR	72H	UFC2		
33H	STMAL		LMCCCR	73H	FIFO0		
34H	STMAH		LMDIR	74H	FIFO1		
35H	STMRP		LMDCAR	75H	FIFO2		
36H	PTM0C0	PTM1C0	LMDCBR	76H	FIFO3		
37H	PTM0C1	PTM1C1	LMDCCR	77H	FIFO4		
38H	PTMODL	PTM1DL	LMEIR	78H	FIFO5		
39H	PTMODH	PTM1DH	LMECAR	79H	FIFO6		
3AH	PTM0AL	PTM1AL	LMECBR	7AH	FIFO7		
3BH	PTM0AH	PTM1AH	LMECCR	7BH	SIMC0		
3CH	PTM0RPL	PTM1RPL	LMFIR	7CH	SIMC1		
3DH	PTM0RPH	PTM1RPH	LMFCAR	7DH	SIMD		
3EH	EEA	EEC	LMFCBR	7EH	SIMA/SIMC2		
3FH	EED		LMFCCR	7FH	SIMTOC		

□ : Unused, read as 00H

Special Purpose Data Memory – HT66FB576

Special Function Register Description

Most of the Special Function Register details will be described in the relevant functional section; however several registers require a separate description in this section.

Indirect Addressing Registers – IAR0, IAR1, IAR2

The Indirect Addressing Registers, IAR0, IAR1 and IAR2, although having their locations in normal RAM register space, do not actually physically exist as normal registers. The method of indirect addressing for RAM data manipulation uses these Indirect Addressing Registers and Memory Pointers, in contrast to direct memory addressing, where the actual memory address is specified. Actions on the IAR0, IAR1 and IAR2 registers will result in no actual read or write operation to these registers but rather to the memory location specified by their corresponding Memory Pointers, MP0, MP1L/MP1H or MP2L/MP2H. Acting as a pair, IAR0 and MP0 can together access data only from Sector 0 while the IAR1 register together with the MP1L/MP1H register pair and IAR2 register together with the MP2L/MP2H register pair can access data from any Data Memory Sector. As the Indirect Addressing Registers are not physically implemented, reading the Indirect Addressing Registers will return a result of “00H” and writing to the registers will result in no operation.

Memory Pointers – MP0, MP1L, MP1H, MP2L, MP2H

Five Memory Pointers, known as MP0, MP1L, MP1H, MP2L, MP2H, are provided. These Memory Pointers are physically implemented in the Data Memory and can be manipulated in the same way as normal registers providing a convenient way with which to address and track data. When any operation to the relevant Indirect Addressing Registers is carried out, the actual address that the microcontroller is directed to is the address specified by the related Memory Pointer. MP0, together with Indirect Addressing Register, IAR0, are used to access data from Sector 0, while MP1L/MP1H together with IAR1 and MP2L/MP2H together with IAR2 are used to access data from all sectors according to the corresponding MP1H or MP2H register. Direct Addressing can be used in all sectors using the extended instructions which can address all available data memory space.

The following example shows how to clear a section of four Data Memory locations already defined as locations `adres1` to `adres4`.

Indirect Addressing Program Example 1

```
data .section 'data'
adres1  db ?
adres2  db ?
adres3  db ?
adres4  db ?
block   db ?
code .section at 0 'code'
org 00h
start:
    mov a, 04h                ; setup size of block
    mov block, a
    mov a, offset adres1     ; Accumulator loaded with first RAM address
    mov mp0, a                ; setup memory pointer with first RAM address
loop:
    clr IAR0                  ; clear the data at address defined by MP0
    inc mp0                   ; increment memory pointer
    sdz block                 ; check if last memory location has been cleared
    jmp loop
continue:
```

Indirect Addressing Program Example 2

```

data .section 'data'
adres1 db ?
adres2 db ?
adres3 db ?
adres4 db ?
block db ?
code .section at 0 'code'
org 00h
start:
    mov a, 04h            ; setup size of block
    mov block, a
    mov a, 01h           ; setup the memory sector
    mov mplh, a
    mov a, offset adres1 ; Accumulator loaded with first RAM address
    mov mp1l, a          ; setup memory pointer with first RAM address
loop:
    clr IAR1            ; clear the data at address defined by MP1L
    inc mp1l            ; increment memory pointer MP1L
    sdz block           ; check if last memory location has been cleared
    jmp loop
continue:

```

The important point to note here is that in the example shown above, no reference is made to specific Data Memory addresses.

Direct Addressing Program Example using extended instructions

```

data .section 'data'
temp db ?
code .section at 0 'code'
org 00h
start:
    lmov a, [m]          ; move [m] data to acc
    lsub a, [m+1]        ; compare [m] and [m+1] data
    snz c                ; [m]>[m+1]?
    jmp continue        ; no
    lmov a, [m]          ; yes, exchange [m] and [m+1] data
    mov temp, a
    lmov a, [m+1]
    lmov [m], a
    mov a, temp
    lmov [m+1], a
continue:

```

Note: Here “m” is a data memory address located in any data memory sectors. For example, m=1F0H, it indicates address 0F0H in Sector 1.

Program Memory Bank Pointer – PBP

For the HT66FB574/HT66FB576 devices, the Program Memory is divided into several banks. Selecting the required Program Memory area is achieved using the Program Memory Bank Pointer, PBP. The PBP register should be properly configured before the HT66FB574/HT66FB576 devices execute the “Branch” operation using the “JMP” or “CALL” instruction. After that a jump to a non-consecutive Program Memory address which is located in a certain bank selected by the program memory bank pointer bits will occur.

• **PBP Register – HT66FB574**

Bit	7	6	5	4	3	2	1	0
Name	—	—	—	—	—	—	—	PBP0
R/W	—	—	—	—	—	—	—	R/W
POR	—	—	—	—	—	—	—	0

Bit 7~1 Unimplemented, read as “0”

Bit 0 **PBP0**: Program Memory Bank Pointer bit 0
0: Bank 0
1: Bank 1

• **PBP Register – HT66FB576**

Bit	7	6	5	4	3	2	1	0
Name	—	—	—	—	—	—	PBP1	PBP0
R/W	—	—	—	—	—	—	R/W	R/W
POR	—	—	—	—	—	—	0	0

Bit 7~2 Unimplemented, read as “0”

Bit 1~0 **PBP1~PBP0**: Program Memory Bank Pointer bit 1~ bit 0
00: Bank 0
01: Bank 1
10: Bank 2
11: Bank 3

Accumulator – ACC

The Accumulator is central to the operation of any microcontroller and is closely related with operations carried out by the ALU. The Accumulator is the place where all intermediate results from the ALU are stored. Without the Accumulator it would be necessary to write the result of each calculation or logical operation such as addition, subtraction, shift, etc., to the Data Memory resulting in higher programming and timing overheads. Data transfer operations usually involve the temporary storage function of the Accumulator; for example, when transferring data between one user-defined register and another, it is necessary to do this by passing the data through the Accumulator as no direct transfer between two registers is permitted.

Program Counter Low Register – PCL

To provide additional program control functions, the low byte of the Program Counter is made accessible to programmers by locating it within the Special Purpose area of the Data Memory. By manipulating this register, direct jumps to other program locations are easily implemented. Loading a value directly into this PCL register will cause a jump to the specified Program Memory location, however, as the register is only 8-bit wide, only jumps within the current Program Memory page are permitted. When such operations are used, note that a dummy cycle will be inserted.

Look-up Table Registers – TBLP, TBHP, TBLH

These three special function registers are used to control operation of the look-up table which is stored in the Program Memory. TBLP and TBHP are the table pointers and indicate the location where the table data is located. Their value must be setup before any table read commands are executed. Their value can be changed, for example using the “INC” or “DEC” instructions, allowing for easy table data pointing and reading. TBLH is the location where the high order byte of the table data is stored after a table read data instruction has been executed. Note that the lower order table data byte is transferred to a user defined location.

Status Register – STATUS

This 8-bit register contains the SC flag, CZ flag, zero flag (Z), carry flag (C), auxiliary carry flag (AC), overflow flag (OV), power down flag (PDF), and watchdog time-out flag (TO). These arithmetic/logical operation and system management flags are used to record the status and operation of the microcontroller.

With the exception of the SC, CZ, TO and PDF flags, bits in the status register can be altered by instructions like most other registers. Any data written into the status register will not change the TO or PDF flag. In addition, operations related to the status register may give different results due to the different instruction operations. The TO flag can be affected only by a system power-up, a WDT time-out or by executing the “CLR WDT” or “HALT” instruction. The PDF flag is affected only by executing the “HALT” or “CLR WDT” instruction or during a system power-up.

The Z, OV, AC, C, SC and CZ flags generally reflect the status of the latest operations.

- SC is the result of the “XOR” operation which is performed by the OV flag and the MSB of the current instruction operation result.
- CZ is the operational result of different flags for different instructions. Refer to register definitions for more details.
- C is set if an operation results in a carry during an addition operation or if a borrow does not take place during a subtraction operation; otherwise C is cleared. C is also affected by a rotate through carry instruction.
- AC is set if an operation results in a carry out of the low nibbles in addition, or no borrow from the high nibble into the low nibble in subtraction; otherwise AC is cleared.
- Z is set if the result of an arithmetic or logical operation is zero; otherwise Z is cleared.
- OV is set if an operation results in a carry into the highest-order bit but not a carry out of the highest-order bit, or vice versa; otherwise OV is cleared.
- PDF is cleared by a system power-up or executing the “CLR WDT” instruction. PDF is set by executing the “HALT” instruction.
- TO is cleared by a system power-up or executing the “CLR WDT” or “HALT” instruction. TO is set by a WDT time-out.

In addition, on entering an interrupt sequence or executing a subroutine call, the status register will not be pushed onto the stack automatically. If the contents of the status registers are important and if the subroutine can corrupt the status register, precautions must be taken to correctly save it.

• STATUS Register

Bit	7	6	5	4	3	2	1	0
Name	SC	CZ	TO	PDF	OV	Z	AC	C
R/W	R	R	R	R	R/W	R/W	R/W	R/W
POR	x	x	0	0	x	x	x	x

"x": unknown

Bit 7 **SC:** The result of the “XOR” operation which is performed by the OV flag and the MSB of the instruction operation result.

Bit 6 **CZ:** The operational result of different flags for different instructions.
 For SUB/SUBM/LSUB/LSUBM instructions, the CZ flag is equal to the Z flag.
 For SBC/SBCM/LSBC/LSBCM instructions, the CZ flag is the “AND” operation result which is performed by the previous operation CZ flag and current operation zero flag.
 For other instructions, the CZ flag will not be affected.

Bit 5	TO: Watchdog Time-out flag 0: After power up or executing the “CLR WDT” or “HALT” instruction 1: A watchdog time-out occurred.
Bit 4	PDF: Power down flag 0: After power up or executing the “CLR WDT” instruction 1: By executing the “HALT” instruction
Bit 3	OV: Overflow flag 0: No overflow 1: An operation results in a carry into the highest-order bit but not a carry out of the highest-order bit or vice versa.
Bit 2	Z: Zero flag 0: The result of an arithmetic or logical operation is not zero 1: The result of an arithmetic or logical operation is zero
Bit 1	AC: Auxiliary flag 0: No auxiliary carry 1: An operation results in a carry out of the low nibbles in addition, or no borrow from the high nibble into the low nibble in subtraction
Bit 0	C: Carry flag 0: No carry-out 1: An operation results in a carry during an addition operation or if a borrow does not take place during a subtraction operation The “C” flag is also affected by a rotate through carry instruction.

EEPROM Data Memory

These devices contain an area of internal EEPROM Data Memory. EEPROM, which stands for Electrically Erasable Programmable Read Only Memory, is by its nature a non-volatile form of re-programmable memory, with data retention even when its power supply is removed. By incorporating this kind of data memory, a whole new host of application possibilities are made available to the designer. The availability of EEPROM storage allows information such as product identification numbers, calibration values, specific user data, system setup data or other product information to be stored directly within the product microcontroller. The process of reading and writing data to the EEPROM memory has been reduced to a very trivial affair.

EEPROM Data Memory Structure

The EEPROM Data Memory capacity is 256×8 bits for these devices. Unlike the Program Memory and RAM Data Memory, the EEPROM Data Memory is not directly mapped into memory space and is therefore not directly addressable in the same way as the other types of memory. Read and Write operations to the EEPROM are carried out in single byte operations using an address and a data register in Sector 0 and a single control register in Sector 1.

EEPROM Registers

Three registers control the overall operation of the internal EEPROM Data Memory. These are the address register, EEA, the data register, EED and a single control register, EEC. As both the EEA and EED registers are located in Sector 0, they can be directly accessed in the same way as many other Special Function Registers. The EEC register however, being located in Sector 1, can be read from or written to directly using the extended instructions, or indirectly using the MP1L/MP1H or MP2L/MP2H Memory Pointer and Indirect Addressing Register, IAR1/IAR2. If using indirect addressing to access the EEC control register, as it is located at address 3EH in Sector 1, the MP1L or MP2L Memory Pointer must first be set to the value 3EH and the MP1H or MP2H Memory Pointer high byte set to the value, 01H, before any operations on the EEC register are executed.

Register Name	Bit							
	7	6	5	4	3	2	1	0
EEA	EEA7	EEA6	EEA5	EEA4	EEA3	EEA2	EEA1	EEA0
EED	EED7	EED6	EED5	EED4	EED3	EED2	EED1	EED0
EEC	—	—	—	—	WREN	WR	RDEN	RD

EEPROM Registers List

• **EEA Register**

Bit	7	6	5	4	3	2	1	0
Name	EEA7	EEA6	EEA5	EEA4	EEA3	EEA2	EEA1	EEA0
R/W	R/W	R/W	R/W	R/W	R/W	R/W	R/W	R/W
POR	0	0	0	0	0	0	0	0

Bit 7~0 **EEA7~EEA0**: Data EEPROM address bit 7 ~ bit 0

• **EED Register**

Bit	7	6	5	4	3	2	1	0
Name	EED7	EED6	EED5	EED4	EED3	EED2	EED1	EED0
R/W	R/W	R/W	R/W	R/W	R/W	R/W	R/W	R/W
POR	0	0	0	0	0	0	0	0

Bit 7~0 **EED7~EED0**: Data EEPROM data bit 7 ~ bit 0

• **EEC Register**

Bit	7	6	5	4	3	2	1	0
Name	—	—	—	—	WREN	WR	RDEN	RD
R/W	—	—	—	—	R/W	R/W	R/W	R/W
POR	—	—	—	—	0	0	0	0

Bit 7~4 Unimplemented, read as “0”

Bit 3 **WREN**: Data EEPROM Write Enable

0: Disable
 1: Enable

This is the Data EEPROM Write Enable Bit which must be set high before Data EEPROM write operations are carried out. Clearing this bit to zero will inhibit Data EEPROM write operations.

Bit 2 **WR**: EEPROM Write Control

0: Write cycle has finished
 1: Activate a write cycle

This is the Data EEPROM Write Control Bit and when set high by the application program will activate a write cycle. This bit will be automatically reset to zero by the hardware after the write cycle has finished. Setting this bit high will have no effect if the WREN has not first been set high.

Bit 1 **RDEN**: Data EEPROM Read Enable

0: Disable
 1: Enable

This is the Data EEPROM Read Enable Bit which must be set high before Data EEPROM read operations are carried out. Clearing this bit to zero will inhibit Data EEPROM read operations.

Bit 0 **RD**: EEPROM Read Control

0: Read cycle has finished
 1: Activate a read cycle

This is the Data EEPROM Read Control Bit and when set high by the application program will activate a read cycle. This bit will be automatically reset to zero by the hardware after the read cycle has finished. Setting this bit high will have no effect if the RDEN has not first been set high.

Note: The WREN, WR, RDEN and RD cannot be set high at the same time in one instruction. The WR and RD cannot be set high at the same time.

Reading Data from the EEPROM

To read data from the EEPROM, the read enable bit, RDEN, in the EEC register must first be set high to enable the read function. The EEPROM address of the data to be read must then be placed in the EEA register. If the RD bit in the EEC register is now set high, a read cycle will be initiated. Setting the RD bit high will not initiate a read operation if the RDEN bit has not been set. When the read cycle terminates, the RD bit will be automatically cleared to zero, after which the data can be read from the EED register. The data will remain in the EED register until another read or write operation is executed. The application program can poll the RD bit to determine when the data is valid for reading.

Writing Data to the EEPROM

The EEPROM address of the data to be written must first be placed in the EEA register and the data placed in the EED register. To write data to the EEPROM, the write enable bit, WREN, in the EEC register must first be set high to enable the write function. After this, the WR bit in the EEC register must be immediately set high to initiate a write cycle. These two instructions must be executed consecutively. The global interrupt bit EMI should also first be cleared before implementing any write operations, and then set again after the write cycle has started. Note that setting the WR bit high will not initiate a write cycle if the WREN bit has not been set. As the EEPROM write cycle is controlled using an internal timer whose operation is asynchronous to microcontroller system clock, a certain time will elapse before the data will have been written into the EEPROM. Detecting when the write cycle has finished can be implemented either by polling the WR bit in the EEC register or by using the EEPROM interrupt. When the write cycle terminates, the WR bit will be automatically cleared to zero by the microcontroller, informing the user that the data has been written to the EEPROM. The application program can therefore poll the WR bit to determine when the write cycle has ended.

Write Protection

Protection against inadvertent write operation is provided in several ways. After the devices are powered-on the Write Enable bit in the control register will be cleared preventing any write operations. Also at power-on the Memory Pointer high byte register, MP1H or MP2H, will be reset to zero, which means that Data Memory Sector 0 will be selected. As the EEPROM control register is located in Sector 1, this adds a further measure of protection against spurious write operations. During normal program operation, ensuring that the Write Enable bit in the control register is cleared will safeguard against incorrect write operations.

EEPROM Interrupt

The EEPROM write interrupt is generated when an EEPROM write cycle has ended. The EEPROM interrupt must first be enabled by setting the DEE bit in the relevant interrupt register. However as the EEPROM is contained within a Multi-function Interrupt, the associated multi-function interrupt enable bit must also be set. When an EEPROM write cycle ends, the DEF request flag and its associated multi-function interrupt request flag will both be set. If the global, EEPROM and Multi-function interrupts are enabled and the stack is not full, a jump to the associated Multi-function

Interrupt vector will take place. When the interrupt is serviced only the Multi-function interrupt flag will be automatically reset, the EEPROM interrupt flag must be manually reset by the application program. More details can be obtained in the Interrupt section.

Programming Considerations

Care must be taken that data is not inadvertently written to the EEPROM. Protection can be enhanced by ensuring that the Write Enable bit is normally cleared to zero when not writing. Also the Memory Pointer high byte register, MP1H or MP2H, could be normally cleared to zero as this would inhibit access to Sector 1 where the EEPROM control register exists. Although certainly not necessary, consideration might be given in the application program to the checking of the validity of new write data by a simple read back process.

When writing data the WR bit must be set high immediately after the WREN bit has been set high, to ensure the write cycle executes correctly. The global interrupt bit EMI should also be cleared before a write cycle is executed and then re-enabled after the write cycle starts. Note that the devices should not enter the IDLE or SLEEP mode until the EEPROM read or write operation is totally complete. Otherwise, the EEPROM read or write operation will fail.

Programming Examples

Reading data from the EEPROM – polling method

```
MOV A, EEPROM_ADRES      ; user defined address
MOV EEA, A
MOV A, 03EH              ; setup memory pointer MP1L
MOV MP1L, A              ; MP1L points to EEC register
MOV A, 01H               ; setup memory pointer MP1H
MOV MP1H, A
SET IAR1.1               ; set RDEN bit, enable read operations
SET IAR1.0               ; start Read Cycle - set RD bit
BACK:
SZ IAR1.0                ; check for read cycle end
JMP BACK
CLR IAR1                 ; disable EEPROM read/write
CLR MP1H
MOV A, EED               ; move read data to register
MOV READ_DATA, A
```

Writing Data to the EEPROM – polling method

```
MOV A, EEPROM_ADRES      ; user defined address
MOV EEA, A
MOV A, EEPROM_DATA       ; user defined data
MOV EED, A
MOV A, 03EH              ; setup memory pointer MP1L
MOV MP1L, A              ; MP1L points to EEC register
MOV A, 01H               ; setup memory pointer MP1H
MOV MP1H, A
CLR EMI
SET IAR1.3               ; set WREN bit, enable write operations
SET IAR1.2               ; start Write Cycle - set WR bit - executed immediately
                        ; after set WREN bit
SET EMI
BACK:
SZ IAR1.2                ; check for write cycle end
JMP BACK
CLR IAR1                 ; disable EEPROM read/write
CLR MP1H
```


Oscillators

Various oscillator options offer the user a wide range of functions according to their various application requirements. The flexible features of the oscillator functions ensure that the best optimisation can be achieved in terms of speed and power saving. Oscillator selections and operation are selected through a combination of configuration options and the relevant control registers.

Oscillator Overview

In addition to being the source of the main system clock the oscillators also provide clock sources for the Watchdog Timer and Time Base Interrupts. External oscillators requiring some external components as well as fully integrated internal oscillators, requiring no external components, are provided to form a wide range of both fast and slow system oscillators. All oscillator options are selected through configuration options and the relevant control registers. The higher frequency oscillators provide higher performance but carry with it the disadvantage of higher power requirements, while the opposite is of course true for the lower frequency oscillators. With the capability of dynamically switching between fast and slow system clock, these devices have the flexibility to optimize the performance/power ratio, a feature especially important in power sensitive portable applications. For USB applications, the HXT pins must be connected to a 6MHz or 12MHz crystal if the HXT oscillator is selected to be used.

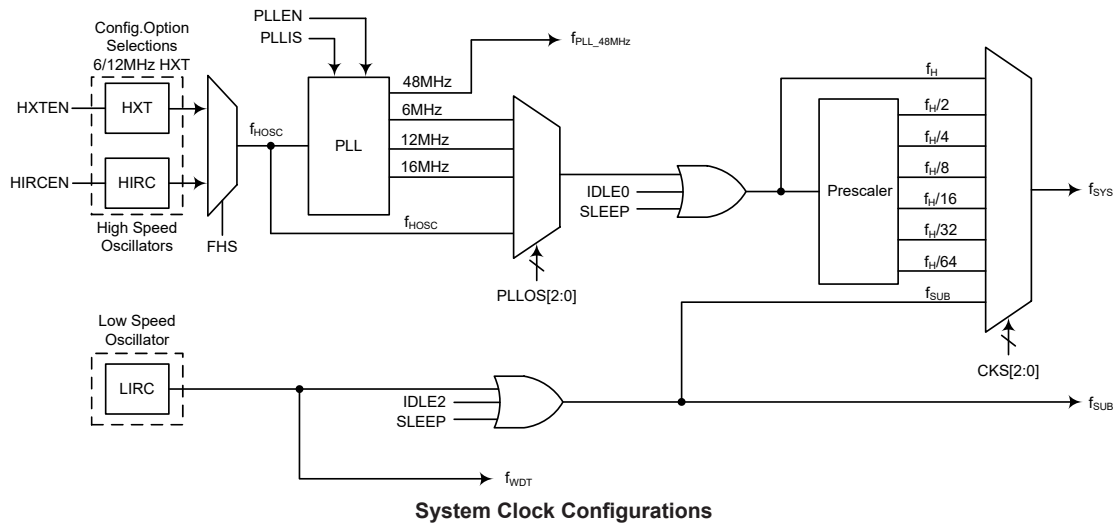
Type	Name	Frequency	Pins
External High Speed Crystal	HXT	6MHz or 12MHz	OSC1/OSC2
Internal High Speed RC	HIRC	12MHz	—
Internal Low Speed RC	LIRC	32kHz	—

Oscillator Types

System Clock Configurations

There are several oscillator sources, two high speed oscillators and one low speed oscillator. The high speed system clocks are sourced from the external crystal/ceramic oscillator, HXT, and the internal 12MHz RC oscillator, HIRC. The low speed oscillator is the internal 32kHz RC oscillator, LIRC. Selecting whether the low or high speed oscillator is used as the system oscillator is implemented using the CKS2~CKS0 bits in the SCC register and as the system clock can be dynamically selected.

The actual source clock used for the high speed oscillator the source clock is selected by the FHS bit in the SCC register. The frequency of the slow speed or high speed system clock is also determined using the CKS2~CKS0 bits in the SCC register. Note that two oscillator selections must be made namely one high speed and one low speed system oscillators. It is not possible to choose a no-oscillator selection for either the high or low speed oscillator. In addition, the internal PLL frequency generator, whose clock source is supplied by an external crystal oscillator, can be enabled by a software control bit to generate various frequencies for the USB interface and system clock.



Internal PLL Frequency Generator

The internal PLL frequency generator is used to generate the frequency for the USB interface and the system clock. This PLL generator can be enabled or disabled by the PLL control bit PLEN in the PLLC register. After a power on reset, the PLL control bit will be set to 1 to turn on the PLL generator. The PLL generator will provide the fixed 48MHz frequency for the USB operating frequency and another frequency for the system clock source which can be 6MHz, 12MHz or 16MHz. The selection of this system frequency is implemented using the PLEN and PLLOS2~PLLOS0 bits in the PLLC register.

The following table illustrates the high frequency system clock f_H selected by the related control bits.

PLEN	PLLOS2	PLLOS1	PLLOS0	f_H
0	x	x	x	f_{HOSC} – HXT or HIRC, depending on the FHS bit in the SCC register.
1	0	x	x	f_{HOSC} – HXT or HIRC, depending on the FHS bit in the SCC register.
1	1	0	0	$f_{PLL} = 6\text{MHz}$
1	1	0	1	$f_{PLL} = 12\text{MHz}$
1	1	1	0	$f_{PLL} = 16\text{MHz}$
1	1	1	1	Reserved

“x”: don't care

• PLLC Register

Bit	7	6	5	4	3	2	1	0
Name	D7	—	PLLIS	PLLOS2	PLLOS1	PLLOS0	PLLIF	PLEN
R/W	R/W	—	R/W	R/W	R/W	R/W	R	R/W
POR	0	—	0	0	0	0	0	1

Bit 7 **D7:** Reserved bit, cannot be used and must be fixed at “0”

Bit 6 Unimplemented, read as “0”

Bit 5 **PLLIS:** PLL input clock source selection
 0: 12MHz clock
 1: 6MHz clock

If FHS=1, when a 12MHz crystal or resonator is used, the HXT frequency is divided by 2 and then multiplied by 8 using the internal PLL circuit, when a 6MHz crystal or resonator is used, the HXT frequency is directly multiplied by 8 using the internal PLL circuit.

If FHS=0, the 12MHz HIRC is selected, this bit will be automatically cleared to zero by the hardware.

Bit 4~2 **PLLOS2~PLLOS0**: f_{HOSC} or f_{PLL} for f_H clock source selection

- 0xx: f_{HOSC}
- 100: $f_{PLL}=6\text{MHz}$
- 101: $f_{PLL}=12\text{MHz}$
- 110: $f_{PLL}=16\text{MHz}$
- 111: Reserved

Bit 1 **PLL**F: PLL clock stable flag

- 0: Unstable
- 1: Stable

This bit is used to indicate whether the PLL clock is stable or not. When the PLEN bit is set to 1 to enable the PLL clock, the PLLF bit will first be cleared to 0 and then set to 1 after the PLL clock is stable.

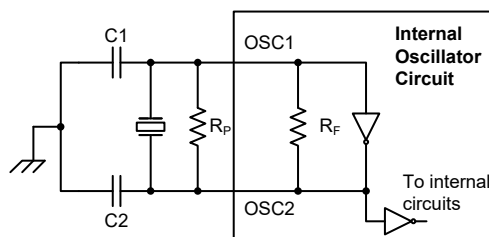
Bit 0 **PLEN**: PLL enable control

- 0: Disable
- 1: Enable

External Crystal/Ceramic Oscillator – HXT

The External Crystal/Ceramic System Oscillator is one of the high frequency oscillators. For most crystal oscillator configurations, the simple connection of a crystal across OSC1 and OSC2 will create the necessary phase shift and feedback for oscillation, without requiring external capacitors. However, for some crystal types and frequencies, to ensure oscillation, it may be necessary to add two small value capacitors, C1 and C2. Using a ceramic resonator will usually require two small value capacitors, C1 and C2, to be connected as shown for oscillation to occur. The values of C1 and C2 should be selected in consultation with the crystal or resonator manufacturer's specification. For USB applications, the HXT pins must be connected to a 6MHz or 12MHz crystal if the HXT oscillator is selected to be used.

For oscillator stability and to minimise the effects of noise and crosstalk, it is important to ensure that the crystal and any associated resistors and capacitors along with interconnecting lines are all located as close to the MCU as possible.



- Note: 1. R_p is normally not required. C1 and C2 are required.
 2. Although not shown OSC1/OSC2 pins have a parasitic capacitance of around 7pF.

Crystal/Resonator Oscillator – HXT

Crystal Oscillator C1 and C2 Values		
Crystal Frequency	C1	C2
12MHz	0pF	0pF
8MHz	0pF	0pF
6MHz	0pF	0pF
4MHz	0pF	0pF
1MHz	100pF	100pF
Note: C1 and C2 values are for guidance only.		

Crystal Recommended Capacitor Values

Internal High Speed RC Oscillator – HIRC

The internal RC oscillator is a fully integrated system oscillator requiring no external components. The internal RC oscillator has a fixed frequency of 12MHz. Device trimming during the manufacturing process and the inclusion of internal frequency compensation circuits are used to ensure that the influence of the power supply voltage, temperature and process variations on the oscillation frequency are minimised. Note that if this internal system clock option is selected, as it requires no external pins for its operation, I/O pins PD0 and PD1 are free for use as normal I/O pins.

Internal 32kHz Oscillator – LIRC

The Internal 32kHz System Oscillator is a low frequency oscillator. It is a fully integrated RC oscillator with a typical frequency of 32kHz at 5V, requiring no external components for its implementation. Device trimming during the manufacturing process and the inclusion of internal frequency compensation circuits are used to ensure that the influence of the power supply voltage, temperature and process variations on the oscillation frequency are minimised.

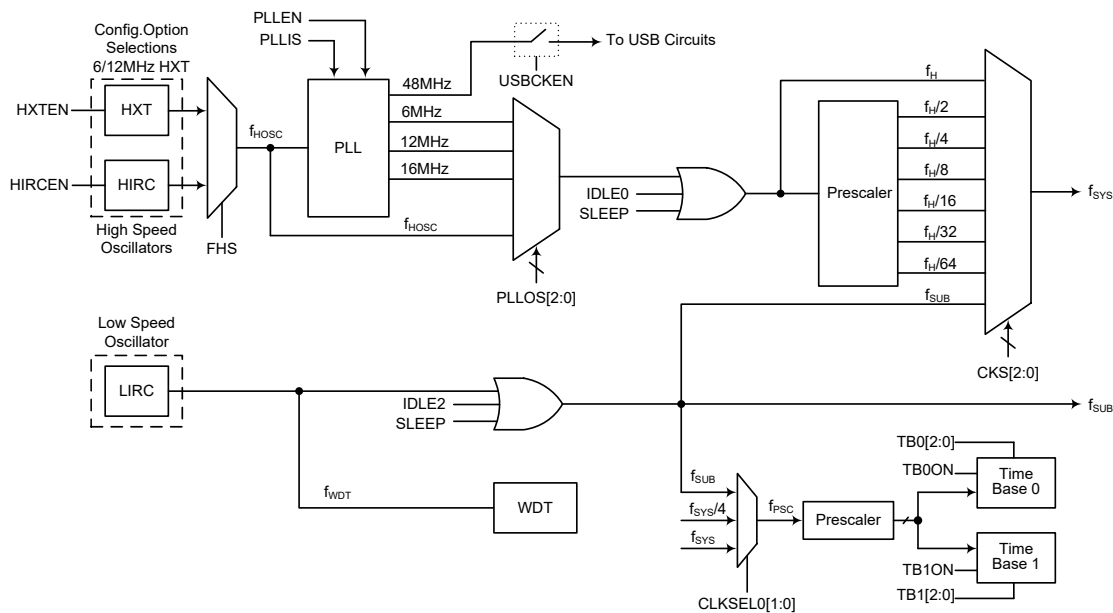
Operating Modes and System Clocks

Present day applications require that their microcontrollers have high performance but often still demand that they consume as little power as possible, conflicting requirements that are especially true in battery powered portable applications. The fast clocks required for high performance will by their nature increase current consumption and of course vice versa, lower speed clocks reduce current consumption. As Holtek has provided these devices with both high and low speed clock sources and the means to switch between them dynamically, the user can optimise the operation of their microcontroller to achieve the best performance/power ratio.

System Clocks

These devices have many different clock sources for both the CPU and peripheral function operation. By providing the user with a wide range of clock options using configuration options and register programming, a clock system can be configured to obtain maximum application performance.

The main system clock, can come from a high frequency, f_H , or low frequency, f_{SUB} , source, and is selected using the CKS2~CKS0 bits in the SCC register. The high speed system clock can be sourced from an HXT or HIRC oscillator or the USB PLL output clock, selected via configuring the FHS bit in the SCC register together with the PLEN and PLLS2~PLLS0 bits in the PLLC register. The low speed system clock source can be sourced from the LIRC oscillator. The other choice, which is a divided version of the high speed system oscillator has a range of $f_H/2 \sim f_H/64$.



Device Clock Configurations

Note: When the system clock source f_{SYS} is switched to f_{SUB} from f_H , the high speed oscillator will stop to conserve the power or continue to oscillate to provide the clock source, $f_H \sim f_H/64$, for peripheral circuit to use, which is determined by configuring the corresponding high speed oscillator enable control bit.

System Operation Modes

There are six different modes of operation for the microcontroller, each one with its own special characteristics and which can be chosen according to the specific performance and power requirements of the application. There are two modes allowing normal operation of the microcontroller, the NORMAL Mode and SLOW Mode. The remaining four modes, the SLEEP, IDLE0, IDLE1 and IDLE2 Mode are used when the microcontroller CPU is switched off to conserve power.

Operation Mode	CPU	Register Setting			f_{SYS}	f_H	f_{SUB}	f_{WDT}	f_{PLL}
		FHIDEN	FSIDEN	CKS2~CKS0					
NORMAL	On	x	x	000~110	$f_H \sim f_H/64$	On	On	On	On
SLOW	On	x	x	111	f_{SUB}	On/Off ⁽¹⁾	On	On	On/Off ⁽³⁾
IDLE0	Off	0	1	000~110	Off	Off	On	On	Off ⁽⁴⁾
				111	On				
IDLE1	Off	1	1	xxx	On	On	On	On	On
IDLE2	Off	1	0	000~110	On	On	Off	On/Off ⁽²⁾	On
				111	Off				
SLEEP	Off	0	0	xxx	Off	Off	Off	On/Off ⁽²⁾	Off ⁽⁴⁾

“x”: Don't care

- Note: 1. The f_H clock will be switched on or off by configuring the corresponding oscillator enable bit in the SLOW mode.
 2. The f_{WDT} clock can be switched on or off which is controlled by the WDT function being enabled or disabled.
 3. The f_{PLL} clock can be switched on or off which is controlled by the PLLEN bit in the PLLC register in the SLOW mode.
 4. The USB function is inactive in IDLE0 and SLEEP mode.

NORMAL Mode

As the name suggests this is one of the main operating modes where the microcontroller has all of its functions operational and where the system clock is provided by one of the high speed oscillators. This mode operates allowing the microcontroller to operate normally with a clock source will come from one of the high speed oscillators, either the HXT or HIRC oscillators. The high speed oscillator will however first be divided by a ratio ranging from 1 to 64, the actual ratio being selected by the CKS2~CKS0 bits in the SCC register. Although a high speed oscillator is used, running the microcontroller at a divided clock ratio reduces the operating current. In the USB mode, the PLL circuit of which the clock source can be derived from the HXT or HIRC oscillator can generate a clock with a frequency of 6MHz, 12MHz, or 16MHz as the devices system clock.

SLOW Mode

This is also a mode where the microcontroller operates normally although now with a slower speed clock source. The clock source used will be from f_{SUB} . The f_{SUB} clock is derived from the LIRC oscillator.

SLEEP Mode

The SLEEP Mode is entered when an HALT instruction is executed and when the FHIDEN and FSIDEN bit are low. In the SLEEP mode the CPU will be stopped. The f_{SUB} clock provided to the peripheral function will also be stopped, too. However the f_{WDT} clock can continue to operate if the WDT function is enabled.

IDLE0 Mode

The IDLE0 Mode is entered when an HALT instruction is executed and when the FHIDEN bit in the SCC register is low and the FSIDEN bit in the SCC register is high. In the IDLE0 Mode the CPU will be switched off but the low speed oscillator will be turned on to drive some peripheral functions.

IDLE1 Mode

The IDLE1 Mode is entered when an HALT instruction is executed and when the FHIDEN bit in the SCC register is high and the FSIDEN bit in the SCC register is high. In the IDLE1 Mode the CPU will be switched off but both the high and low speed oscillators will be turned on to provide a clock source to keep some peripheral functions operational.

IDLE2 Mode

The IDLE2 Mode is entered when an HALT instruction is executed and when the FHIDEN bit in the SCC register is high and the FSIDEN bit in the SCC register is low. In the IDLE2 Mode the CPU will be switched off but the high speed oscillator will be turned on to provide a clock source to keep some peripheral functions operational.

Control Registers

The registers, SCC, HIRCC, HXTC and PLLC, are used to control the system clock and the corresponding oscillator configurations.

Register Name	Bit							
	7	6	5	4	3	2	1	0
SCC	CKS2	CKS1	CKS0	—	FHS	—	FHIDEN	FSIDEN
HIRCC	CLKADJ	CLKADJF	CLKFIX	—	—	—	HIRCF	HIRCEN
HXTC	—	—	—	—	—	HXTM	HXTF	HXTEN
PLLC	D7	—	PL LIS	PLLOS2	PLLOS1	PLLOS0	PLL F	PLLEN

System Operating Mode Control Registers List

• SCC Register

Bit	7	6	5	4	3	2	1	0
Name	CKS2	CKS1	CKS0	—	FHS	—	FHIDEN	FSIDEN
R/W	R/W	R/W	R/W	—	R/W	—	R/W	R/W
POR	0	1	0	—	0	—	0	0

Bit 7~5 **CKS2~CKS0**: System clock selection

000: f_H
 001: $f_H/2$
 010: $f_H/4$
 011: $f_H/8$
 100: $f_H/16$
 101: $f_H/32$
 110: $f_H/64$
 111: f_{SUB}

These three bits are used to select which clock is used as the system clock source. In addition to the system clock source directly derived from f_H or f_{SUB} , a divided version of the high speed system oscillator can also be chosen as the system clock source.

Bit 4 Unimplemented, read as “0”

Bit 3 **FHS**: High Frequency clock, f_{HOSC} , selection

0: HIRC
 1: HXT

Bit 2 Unimplemented, read as “0”

Bit 1 **FHIDEN**: High Frequency oscillator control when CPU is switched off

0: Disable
 1: Enable

This bit is used to control whether the high speed oscillator is activated or stopped when the CPU is switched off by executing an “HALT” instruction.

Bit 0 **FSIDEN**: Low Frequency oscillator control when CPU is switched off

0: Disable
 1: Enable

This bit is used to control whether the low speed oscillator is activated or stopped when the CPU is switched off by executing an “HALT” instruction. The low frequency oscillator is controlled by this bit together with the WDT function enable control. If this bit is cleared to 0 but the WDT function is enabled, the f_{WDT} clock will also be enabled.

• HIRCC Register

Bit	7	6	5	4	3	2	1	0
Name	CLKADJ	CLKADJF	CLKFIX	—	—	—	HIRCF	HIRCEN
R/W	R/W	R/W	R/W	—	—	—	R	R/W
POR	0	0	0	—	—	—	0	1

- Bit 7 **CLKADJ**: HIRC clock automatic adjustment function control in the USB mode
0: Disable
1: Enable
Note that if the user selects the HIRC as the system clock, the CLKADJ bit must be set to 1 to adjust the PLL frequency automatically.
- Bit 6 **CLKADJF**: HIRC clock automatic adjustment stable flag
0: Unstable
1: Stable
The CLKADJF bit indicates whether the HIRC frequency adjusting operation is completed or not when the CLKADJ bit is set to 1. Users can continuously monitor the CLKADJF bit by application programs to make sure that the HIRC frequency accuracy is stably adjusted in the range of $\pm 0.25\%$.
The CLKADJF bit can be cleared by the application program.
- Bit 5 **CLKFIX**: HIRC clock fix automatic adjustment function control
0: Disable
1: Enable
Note that when CLKADJF=1, the CLKFIX bit can be set high to fix the HIRC frequency accuracy in the range of $\pm 0.25\%$.
- Bit 4~2 Unimplemented, read as “0”
- Bit 1 **HIRCF**: HIRC oscillator stable flag
0: HIRC unstable
1: HIRC stable
This bit is used to indicate whether the HIRC oscillator is stable or not. When the HIRCEN bit is set to 1 to enable the HIRC oscillator, the HIRCF bit will first be cleared to 0 and then set to 1 after the HIRC oscillator is stable.
- Bit 0 **HIRCEN**: HIRC oscillator enable control
0: Disable
1: Enable

• **HXTC Register**

Bit	7	6	5	4	3	2	1	0
Name	—	—	—	—	—	HXTM	HXTF	HXTEN
R/W	—	—	—	—	—	R/W	R	R/W
POR	—	—	—	—	—	0	0	0

Bit 7~3 Unimplemented, read as “0”

Bit 2 **HXTM**: HXT mode selection
0: HXT frequency \leq 10MHz
1: HXT frequency $>$ 10MHz

This bit is used to select the HXT oscillator operating mode. Note that this bit must be properly configured before the HXT is enabled. When the OSC1 and OSC2 pins are enabled and the HXTEN bit is set to 1 to enable the HXT oscillator, it is invalid to change the value of this bit. Otherwise, this bit value can be changed with no operation on the HXT function.

Bit 1 **HXTF**: HXT oscillator stable flag
0: HXT unstable
1: HXT stable

This bit is used to indicate whether the HXT oscillator is stable or not. When the HXTEN bit is set to 1 to enable the HXT oscillator, the HXTF bit will first be cleared to 0 and then set to 1 after the HXT oscillator is stable.

Bit 0 **HXTEN**: HXT oscillator enable control
0: Disable
1: Enable

• **PLL Register**

Bit	7	6	5	4	3	2	1	0
Name	D7	—	PLLIS	PLLOS2	PLLOS1	PLLOS0	PLL F	PLLEN
R/W	R/W	—	R/W	R/W	R/W	R/W	R	R/W
POR	0	—	0	0	0	0	0	1

Bit 7 **D7**: Reserved bit, cannot be used and must be fixed at 0

Bit 6 Unimplemented, read as “0”

Bit 5 **PLLIS**: PLL input clock source selection
0: 12MHz clock
1: 6MHz clock

If FHS=1, when a 12MHz crystal or resonator is used, the HXT frequency is divided by 2 and then multiplied by 8 using the internal PLL circuit, when a 6MHz crystal or resonator is used, the HXT frequency is directly multiplied by 8 using the internal PLL circuit.

If FHS=0, the 12MHz HIRC is selected, this bit will be automatically cleared to zero by the hardware.

Bit 4~2 **PLLOS2~PLLOS0**: f_{HOSC} or f_{PLL} for f_H clock source selection

0xx: f_{HOSC}
100: $f_{PLL}=6\text{MHz}$
101: $f_{PLL}=12\text{MHz}$
110: $f_{PLL}=16\text{MHz}$
111: Reserved

Bit 1 **PLL F**: PLL clock stable flag
0: Unstable
1: Stable

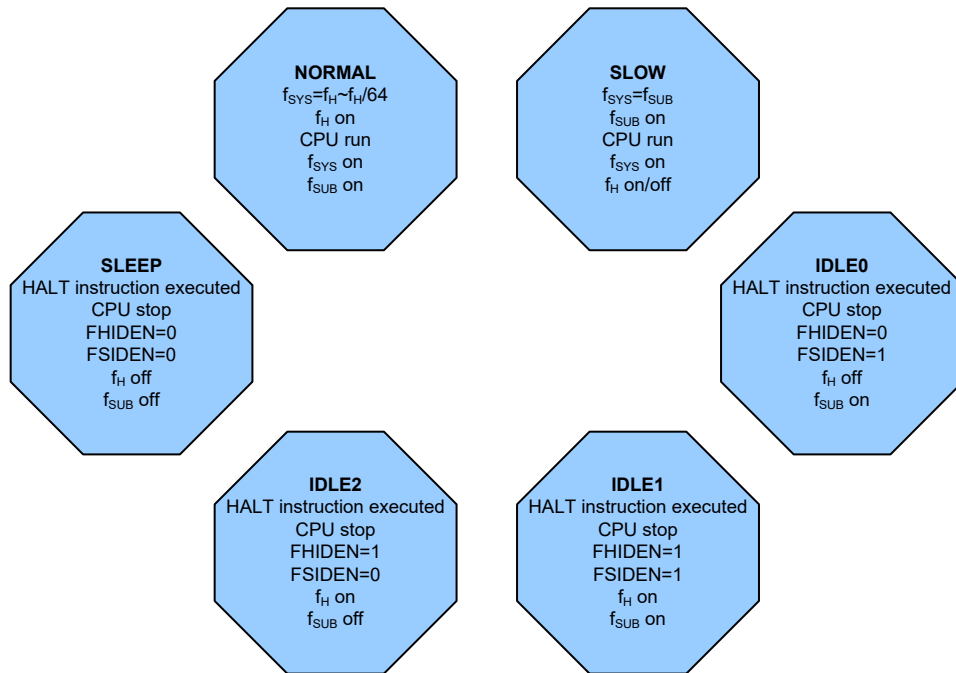
This bit is used to indicate whether the PLL clock is stable or not. When the PLLEN bit is set to 1 to enable the PLL clock, the PLL F bit will first be cleared to 0 and then set to 1 after the PLL clock is stable.

Bit 0 **PLLEN**: PLL enable control
 0: Disable
 1: Enable

Operating Mode Switching

The devices can switch between operating modes dynamically allowing the user to select the best performance/power ratio for the present task in hand. In this way microcontroller operations that do not require high performance can be executed using slower clocks thus requiring less operating current and prolonging battery life in portable applications.

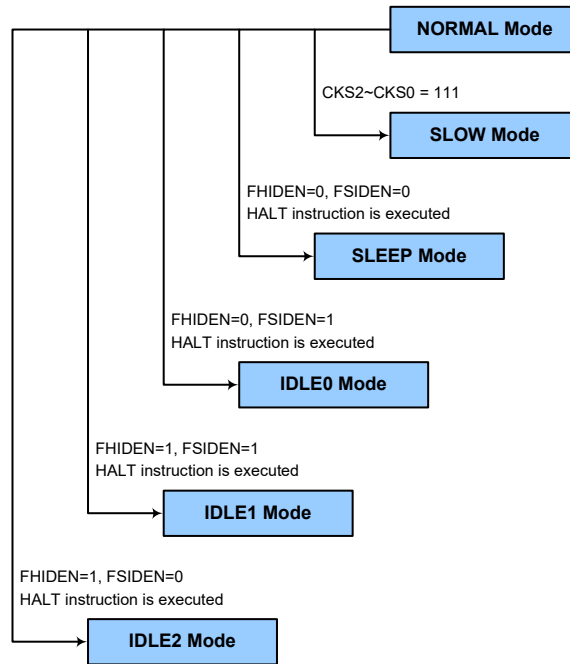
In simple terms, Mode Switching between the NORMAL Mode and SLOW Mode is executed using the CKS2~CKS0 bits in the SCC register while Mode Switching from the NORMAL/SLOW Modes to the SLEEP/IDLE Modes is executed via the HALT instruction. When an HALT instruction is executed, whether the devices enter the IDLE Mode or the SLEEP Mode is determined by the condition of the FHIDEN and FSIDEN bits in the SCC register.



NORMAL Mode to SLOW Mode Switching

When running in the NORMAL Mode, which uses the high speed system oscillator, and therefore consumes more power, the system clock can switch to run in the SLOW Mode by set the CKS2~CKS0 bits to “111” in the SCC register. This will then use the low speed system oscillator which will consume less power. Users may decide to do this for certain operations which do not require high performance and can subsequently reduce power consumption.

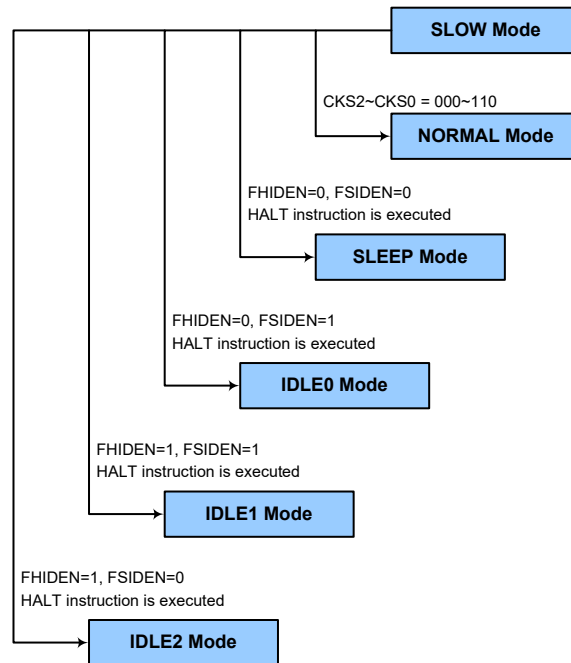
The SLOW Mode is sourced from the LIRC oscillator and therefore requires this oscillator to be stable before full mode switching occurs.



SLOW Mode to NORMAL Mode Switching

In SLOW mode the system clock is derived from f_{SUB} . When system clock is switched back to the NORMAL mode from f_{SUB} , the CKS2~CKS0 bits should be set to “000”~“110” and then the system clock will respectively be switched to $f_H \sim f_H/64$.

However, if f_H is not used in SLOW mode and thus switched off, it will take some time to re-oscillate and stabilise when switching to the NORMAL mode from the SLOW Mode. This is monitored using the HXTF bit in the HXTC register or the HIRCF bit in the HIRCC register or the PLLF bit in the PLLC register. The time duration required for the high speed system oscillator stabilization is specified in the A.C. characteristics.



Entering the SLEEP Mode

There is only one way for the devices to enter the SLEEP Mode and that is to execute the "HALT" instruction in the application program with both the FHIDEN and FSIDEN bits in the SCC register equal to “0”. In this mode all the clocks and functions will be switched off except the WDT function. When this instruction is executed under the conditions described above, the following will occur:

- The system clock will be stopped and the application program will stop at the "HALT" instruction.
- The Data Memory contents and registers will maintain their present condition.
- The I/O ports will maintain their present conditions.
- In the status register, the Power Down flag, PDF, will be set and the Watchdog time-out flag, TO, will be cleared.
- The WDT will be cleared and resume counting if the WDT function is enabled. If the WDT function is disabled, the WDT will be cleared and then stopped.
- The USB will enter the suspend mode if the USB function is enabled.

Entering the IDLE0 Mode

There is only one way for the devices to enter the IDLE0 Mode and that is to execute the "HALT" instruction in the application program with the FHIDEN bit in the SCC register equal to "0" and the FSIDEN bit in the SCC register equal to "1". When this instruction is executed under the conditions described above, the following will occur:

- The f_H clock will be stopped and the application program will stop at the "HALT" instruction, but the f_{SUB} clock will be on.
- The Data Memory contents and registers will maintain their present condition.
- The I/O ports will maintain their present conditions.
- In the status register, the Power Down flag, PDF, will be set and the Watchdog time-out flag, TO, will be cleared.
- The WDT will be cleared and resume counting if the WDT function is enabled. If the WDT function is disabled, the WDT will be cleared and then stopped.
- The USB will enter the suspend mode if the USB function is enabled.

Entering the IDLE1 Mode

There is only one way for the devices to enter the IDLE1 Mode and that is to execute the "HALT" instruction in the application program with both the FHIDEN and FSIDEN bits in the SCC register equal to "1". When this instruction is executed under the conditions described above, the following will occur:

- The f_H and f_{SUB} clocks will be on but the application program will stop at the "HALT" instruction.
- The Data Memory contents and registers will maintain their present condition.
- The I/O ports will maintain their present conditions.
- In the status register, the Power Down flag, PDF, will be set and the Watchdog time-out flag, TO, will be cleared.
- The WDT will be cleared and resume counting if the WDT function is enabled. If the WDT function is disabled, the WDT will be cleared and then stopped.

Entering the IDLE2 Mode

There is only one way for the devices to enter the IDLE2 Mode and that is to execute the "HALT" instruction in the application program with the FHIDEN bit in the SCC register equal to "1" and the FSIDEN bit in the SCC register equal to "0". When this instruction is executed under the conditions described above, the following will occur:

- The f_H clock will be on but the f_{SUB} clock will be off and the application program will stop at the "HALT" instruction.
- The Data Memory contents and registers will maintain their present condition.
- The I/O ports will maintain their present conditions.
- In the status register, the Power Down flag, PDF, will be set and the Watchdog time-out flag, TO, will be cleared.
- The WDT will be cleared and resume counting if the WDT function is enabled. If the WDT function is disabled, the WDT will be cleared and then stopped.

Standby Current Considerations

As the main reason for entering the SLEEP or IDLE Mode is to keep the current consumption of the devices to as low a value as possible, perhaps only in the order of several micro-amps except in the IDLE1 and IDLE2 Mode, there are other considerations which must also be taken into account by the circuit designer if the power consumption is to be minimised. Special attention must be made to the I/O pins on the devices. All high-impedance input pins must be connected to either a fixed high or low level as any floating input pins could create internal oscillations and result in increased current consumption. This also applies to the devices which have different package types, as there may be unbonded pins. These must either be setup as outputs or if setup as inputs must have pull-high resistors connected.

Care must also be taken with the loads, which are connected to I/O pins, which are setup as outputs. These should be placed in a condition in which minimum current is drawn or connected only to external circuits that do not draw current, such as other CMOS inputs. Also note that additional standby current will also be required if the LIRC oscillator has enabled.

In the IDLE1 and IDLE2 Mode the high speed oscillator is on, if the peripheral function clock source is derived from the high speed oscillator, the additional standby current will also be perhaps in the order of several hundred micro-amps.

Wake-up

To minimise power consumption the devices can enter the SLEEP or any IDLE Mode, where the CPU will be switched off. However, when the devices are woken up again, it will take a considerable time for the original system oscillator to restart, stabilise and allow normal operation to resume.

After the system enters the SLEEP or IDLE Mode, it can be woken up from one of various sources listed as follows:

- An external pin reset
- An USB reset signal reset
- An external active trigger edge on I/O Port
- A system interrupt
- A WDT overflow

If the system is woken up by an external pin or USB reset, the devices will experience a full system reset, however, if the devices are woken up by a WDT overflow, a Watchdog Timer reset will be initiated. Although both of these wake-up methods will initiate a reset operation, the actual source of the wake-up can be determined by examining the TO and PDF flags. The PDF flag is cleared by a system power-up or executing the clear Watchdog Timer instructions and is set when executing the “HALT” instruction. The TO flag is set if a WDT time-out occurs, and causes a wake-up that only resets the Program Counter and Stack Pointer, the other flags remain in their original status.

Each pin on I/O Port can be setup using the PAWUEG0, PAWUEG1 or PBWU~PGWU register to permit an active trigger edge transition on the pin to wake-up the system. When a pin wake-up occurs, the program will resume execution at the instruction following the “HALT” instruction. If the system is woken up by an interrupt, then two possible situations may occur. The first is where the related interrupt is disabled or the interrupt is enabled but the stack is full, in which case the program will resume execution at the instruction following the “HALT” instruction. In this situation, the interrupt which woke-up the devices will not be immediately serviced, but will rather be serviced later when the related interrupt is finally enabled or when a stack level becomes free. The other situation is where the related interrupt is enabled and the stack is not full, in which case the regular interrupt response takes place. If an interrupt request flag is set high before entering the SLEEP or IDLE Mode, the wake-up function of the related interrupt will be disabled.

Watchdog Timer

The Watchdog Timer is provided to prevent program malfunctions or sequences from jumping to unknown locations, due to certain uncontrollable external events such as electrical noise.

Watchdog Timer Clock Source

The Watchdog Timer clock source is provided by the internal clock, f_{WDT} , which is sourced from the LIRC oscillator. The LIRC internal oscillator has an approximate frequency of 32kHz and this specified internal clock period can vary with V_{DD} , temperature and process variations. The Watchdog Timer source clock is then subdivided by a ratio of 2^8 to 2^{18} to give longer timeouts, the actual value being chosen using the WS2~WS0 bits in the WDTC register.

Watchdog Timer Control Register

A single register, WDTC, controls the required timeout period as well as the enable/disable operation.

• WDTC Register

Bit	7	6	5	4	3	2	1	0
Name	WE4	WE3	WE2	WE1	WE0	WS2	WS1	WS0
R/W	R/W	R/W	R/W	R/W	R/W	R/W	R/W	R/W
POR	0	1	0	1	0	0	1	1

Bit 7~3 **WE4~WE0**: WDT function software control

10101: Disable

01010: Enable

Other values: Reset MCU

When these bits are changed to any other values due to environmental noise the microcontroller will be reset; this reset operation will be activated after a delay time, t_{RESET} , and the WRF bit in the RSTFC register will be set high.

Bit 2~0 **WS2~WS0**: WDT time-out period selection

000: $2^8/f_{WDT}$

001: $2^{10}/f_{WDT}$

010: $2^{12}/f_{WDT}$

011: $2^{14}/f_{WDT}$

100: $2^{15}/f_{WDT}$

101: $2^{16}/f_{WDT}$

110: $2^{17}/f_{WDT}$

111: $2^{18}/f_{WDT}$

These three bits determine the division ratio of the Watchdog Timer source clock, which in turn determines the timeout period.

• RSTFC Register

Bit	7	6	5	4	3	2	1	0
Name	—	—	—	—	—	LVRF	LRF	WRF
R/W	—	—	—	—	—	R/W	R/W	R/W
POR	—	—	—	—	—	x	0	0

“x”: unknown

Bit 7~3 Unimplemented, read as “0”

Bit 2 **LVRF**: LVR function reset flag

Described elsewhere.

Bit 1 **LRF**: LVR control register software reset flag

Described elsewhere.

Bit 0 **WRF:** WDT control register software reset flag
 0: Not occurred
 1: Occurred

This bit is set to 1 by the WDT Control register software reset and cleared by the application program. Note that this bit can only be cleared to 0 by the application program.

Watchdog Timer Operation

The Watchdog Timer operates by providing a device reset when its timer overflows. This means that in the application program and during normal operation the user has to strategically clear the Watchdog Timer before it overflows to prevent the Watchdog Timer from executing a reset. This is done using the clear watchdog instructions. If the program malfunctions for whatever reason, jumps to an unknown location, or enters an endless loop, these clear instructions will not be executed in the correct manner, in which case the Watchdog Timer will overflow and reset the devices. There are five bits, WE4~WE0, in the WDTC register to offer the enable/disable control and reset control of the Watchdog Timer. The WDT function will be disabled when the WE4~WE0 bits are set to a value of 10101B while the WDT function will be enabled if the WE4~WE0 bits are equal to 01010B. If the WE4~WE0 bits are set to any other values, other than 01010B and 10101B, it will reset the devices after a delay time, t_{SRESET} . After power on these bits will have a value of 01010B.

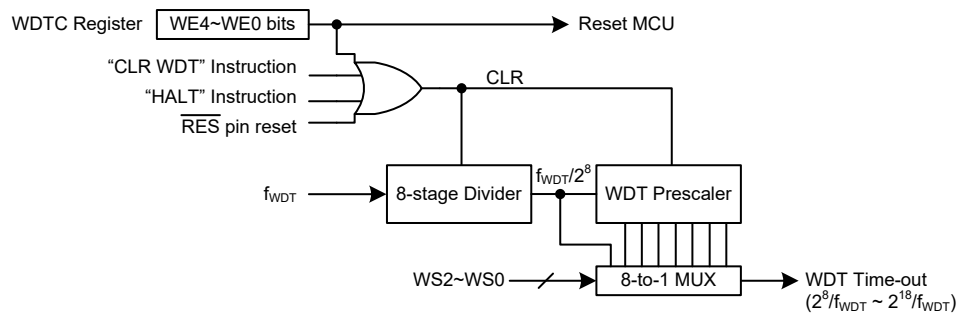
WE4~WE0 Bits	WDT Function
10101B	Disable
01010B	Enable
Any other values	Reset MCU

Watchdog Timer Enable/Disable Control

Under normal program operation, a Watchdog Timer time-out will initialise a device reset and set the status bit TO. However, if the system is in the SLEEP or IDLE Mode, when a Watchdog Timer time-out occurs, the TO bit in the status register will be set and only the Program Counter and Stack Pointer will be reset. Four methods can be adopted to clear the contents of the Watchdog Timer. The first is a WDT reset, which means a certain value except 01010B and 10101B written into the WE4~WE0 bits, the second is using the Watchdog Timer software clear instruction, the third is via a HALT instruction and the fourth is an external hardware reset, which means a low level on the external \overline{RES} pin.

There is only one method of using software instruction to clear the Watchdog Timer. That is to use the single “CLR WDT” instruction to clear the WDT.

The maximum time-out period is when the 2^{18} division ratio is selected. As an example, with a 32kHz LIRC oscillator as its source clock, this will give a maximum watchdog period of around 8 second for the 2^{18} division ratio, and a minimum timeout of 8ms for the 2^8 division ration.



Watchdog Timer

Reset and Initialisation

A reset function is a fundamental part of any microcontroller ensuring that the devices can be set to some predetermined condition irrespective of outside parameters. The most important reset condition is after power is first applied to the microcontroller. In this case, internal circuitry will ensure that the microcontroller, after a short delay, will be in a well-defined state and ready to execute the first program instruction. After this power-on reset, certain important internal registers will be set to defined states before the program commences. One of these registers is the Program Counter, which will be reset to zero forcing the microcontroller to begin program execution from the lowest Program Memory address.

In addition to the power-on reset, situations may arise where it is necessary to forcefully apply a reset condition when the devices are running. One example of this is where after power has been applied and the devices are already running, the $\overline{\text{RES}}$ line is forcefully pulled low. In such a case, known as a normal operation reset, some of the registers remain unchanged allowing the devices to proceed with normal operation after the reset line is allowed to return high.

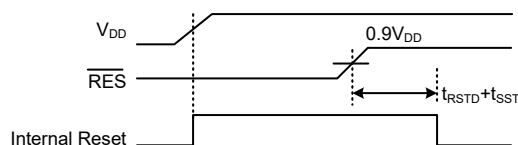
Another type of reset is when the Watchdog Timer overflows and resets the microcontroller. All types of reset operations result in different register conditions being setup. Another reset exists in the form of a Low Voltage Reset, LVR, where a full reset, similar to the $\overline{\text{RES}}$ reset is implemented in situations where the power supply voltage falls below a certain threshold.

Reset Functions

There are several ways in which a microcontroller reset can occur, through events occurring both internally and externally:

Power-on Reset

The most fundamental and unavoidable reset is the one that occurs after power is first applied to the microcontroller. As well as ensuring that the Program Memory begins execution from the first memory address, a power-on reset also ensures that certain other registers are preset to known conditions. All the I/O port and port control registers will power up in a high condition ensuring that all pins will be first set to inputs.



Note: t_{RSTD} is power-on delay specified in A.C. Characteristics.

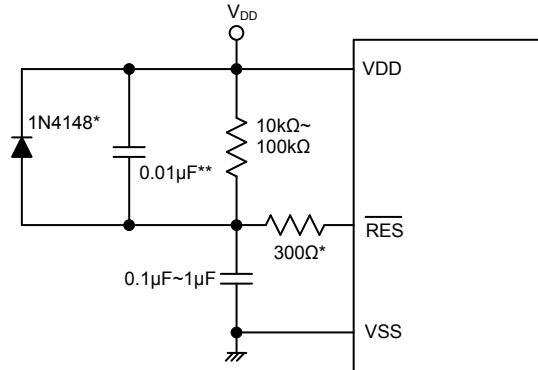
Power-on Reset Timing Chart

$\overline{\text{RES}}$ Pin Reset

Although the microcontroller has an internal RC reset function, if the V_{DD} power supply rise time is not fast enough or does not stabilise quickly at power-on, the internal reset function may be incapable of providing proper reset operation. For this reason it is recommended that an external RC network is connected to the $\overline{\text{RES}}$ pin, whose additional time delay will ensure that the $\overline{\text{RES}}$ pin remains low for an extended period to allow the power supply to stabilise. During this time delay, normal operation of the microcontroller will be inhibited. After the $\overline{\text{RES}}$ line reaches a certain voltage value, the reset delay time t_{RSTD} is invoked to provide an extra delay time after which the microcontroller will begin normal operation. The abbreviation SST in the figures stands for System Start-up Timer.

For most applications a resistor connected between VDD and the $\overline{\text{RES}}$ pin and a capacitor connected between VSS and the $\overline{\text{RES}}$ pin will provide a suitable external reset circuit. Any wiring connected to the $\overline{\text{RES}}$ pin should be kept as short as possible to minimise any stray noise interference.

For applications that operate within an environment where more noise is present the Enhanced Reset Circuit shown is recommended.

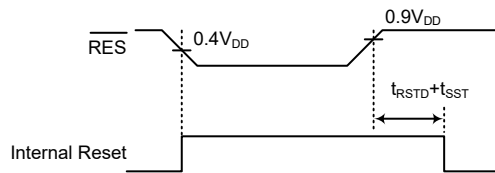


Note: * It is recommended that this component is added for added ESD protection.

** It is recommended that this component is added in environments where power line noise is significant.

External $\overline{\text{RES}}$ Circuit

Pulling the $\overline{\text{RES}}$ Pin low using external hardware will also execute a device reset. In this case, as in the case of other resets, the Program Counter will reset to zero and program execution initiated from this point.



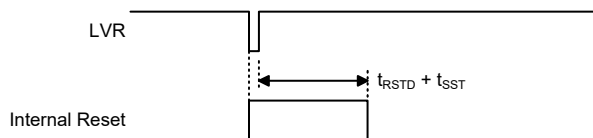
Note: t_{RSTD} is power-on delay specified in A.C. Characteristics.

RES Reset Timing Chart

Low Voltage Reset – LVR

The microcontroller contains a low voltage reset circuit in order to monitor the supply voltage of the devices and provides an MCU reset should the value fall below a certain predefined level.

The LVR function is always enabled with a specific LVR voltage V_{LVR} . If the supply voltage of the devices drops to within a range of $0.9V \sim V_{\text{LVR}}$ such as might occur when changing the battery in battery powered applications, the LVR will automatically reset the devices internally and the LVRF bit in the RSTFC register will also be set to 1. For a valid LVR signal, a low supply voltage, i.e., a voltage in the range between $0.9V \sim V_{\text{LVR}}$ must exist for a time greater than that specified by t_{LVR} in the LVR/LVD electrical characteristics. If the low supply voltage state does not exceed this value, the LVR will ignore the low supply voltage and will not perform a reset function. The actual V_{LVR} value can be selected by the LVS bits in the LVRC register. If the LVS7~LVS0 bits are changed to some different values by environmental noise, the LVR will reset the devices after a delay time, t_{SRESET} . When this happens, the LRF bit in the RSTFC register will be set to 1. After power on the register will have the value of 01010101B. Note that the LVR function will be automatically disabled when the devices enter the power down mode.



Note: t_{RSTD} is power-on delay specified in A.C. Characteristics.

Low Voltage Reset Timing Chart

• **LVRC Register**

Bit	7	6	5	4	3	2	1	0
Name	LVS7	LVS6	LVS5	LVS4	LVS3	LVS2	LVS1	LVS0
R/W	R/W	R/W	R/W	R/W	R/W	R/W	R/W	R/W
POR	0	1	0	1	0	1	0	1

Bit 7~0 **LVS7~LVS0**: LVR Voltage Select control

01010101: 2.1V

00110011: 2.55V

10011001: 3.15V

10101010: 3.8V

Any other value: Generates MCU reset – register is reset to POR value

When an actual low voltage condition occurs, as specified by one of the four defined LVR voltage values above, an MCU reset will be generated. The reset operation will be activated the low voltage condition keeps more than a t_{LVR} time. In this situation the register contents will remain the same after such a reset occurs.

Any register value, other than the four defined LVR values above, will also result in the generation of an MCU reset. The reset operation will be activated after a delay time, t_{SRESET} . However in this situation the register contents will be reset to the POR value.

• **RSTFC Register**

Bit	7	6	5	4	3	2	1	0
Name	—	—	—	—	—	LVRF	LRF	WRF
R/W	—	—	—	—	—	R/W	R/W	R/W
POR	—	—	—	—	—	x	0	0

“x”: unknown

Bit 7~3 Unimplemented, read as “0”

Bit 2 **LVRF**: LVR function reset flag

0: Not occur

1: Occurred

This bit is set to 1 when a specific Low Voltage Reset situation condition occurs. This bit can only be cleared to 0 by the application program.

Bit 1 **LRF**: LVR control register software reset flag

0: Not occur

1: Occurred

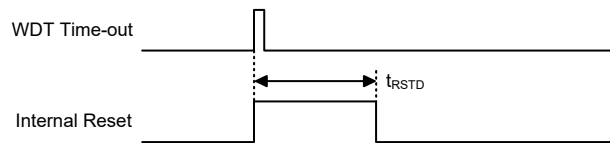
This bit is set to 1 if the LVRC register contains any non-defined LVR voltage register values. This in effect acts like a software-reset function. This bit can only be cleared to 0 by the application program.

Bit 0 **WRF**: WDT control register software reset flag

Describe elsewhere.

Watchdog Time-out Reset during Normal Operation

The Watchdog time-out Reset during normal operation is the same as a hardware $\overline{\text{RES}}$ pin reset except that the Watchdog time-out flag TO will be set to “1”.

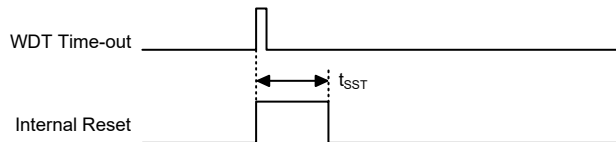


Note: t_{RSTD} is power-on delay specified in A.C. Characteristics.

WDT Time-out Reset during Normal Operation Timing Chart

Watchdog Time-out Reset during SLEEP or IDLE Mode

The Watchdog time-out Reset during SLEEP or IDLE Mode is a little different from other kinds of reset. Most of the conditions remain unchanged except that the Program Counter and the Stack Pointer will be cleared to “0” and the TO flag will be set to “1”. Refer to the A.C. Characteristics for t_{SST} details.



WDT Time-out Reset during SLEEP or IDLE Timing Chart

Reset Initial Conditions

The different types of reset described affect the reset flags in different ways. These flags, known as PDF and TO are located in the status register and are controlled by various microcontroller operations, such as the SLEEP or IDLE Mode function or Watchdog Timer. The reset flags are shown in the table:

TO	PDF	RESET Conditions
0	0	Power-on reset
u	u	$\overline{\text{RES}}$, LVR or USB reset during NORMAL or SLOW Mode operation
1	u	WDT time-out reset during NORMAL or SLOW Mode operation
1	1	WDT time-out reset during IDLE or SLEEP Mode operation

“u” stands for unchanged

The following table indicates the way in which the various components of the microcontroller are affected after a power-on reset occurs.

Item	Condition After RESET
Program Counter	Reset to zero
Interrupts	All interrupts will be disabled
WDT, Time Bases	Clear after reset, WDT begins counting
Timer Modules	Timer Modules will be turned off
Input/Output Ports	I/O ports will be setup as inputs
Stack Pointer	Stack Pointer will point to the top of the stack

The different kinds of resets all affect the internal registers of the microcontroller in different ways. To ensure reliable continuation of normal program execution after a reset occurs, it is important to know what condition the microcontroller is in after a particular reset occurs. The following table describes how each type of reset affects each of the microcontroller internal registers. Note that where more than one package type exists the table will reflect the situation for the larger package type.

Register	HT66FB572	HT66FB574	HT66FB576	Power On Reset	RES Reset (Normal Operation)	WDT Time-out (Normal Operation)	WDT Time-out (IDLE/SLEEP)	USB-reset (Normal Operation)	USB-reset (IDLE/SLEEP)
IAR0	•	•	•	0000 0000	0000 0000	0000 0000	uuuu uuuu	0000 0000	0000 0000
MP0	•	•	•	0000 0000	0000 0000	0000 0000	uuuu uuuu	0000 0000	0000 0000
IAR1	•	•	•	0000 0000	0000 0000	0000 0000	uuuu uuuu	0000 0000	0000 0000
MP1L	•	•	•	0000 0000	0000 0000	0000 0000	uuuu uuuu	0000 0000	0000 0000
MP1H	•	•	•	0000 0000	0000 0000	0000 0000	uuuu uuuu	0000 0000	0000 0000
ACC	•	•	•	xxxx xxxx	uuuu uuuu	uuuu uuuu	uuuu uuuu	uuuu uuuu	uuuu uuuu
PCL	•	•	•	0000 0000	0000 0000	0000 0000	0000 0000	0000 0000	0000 0000
TBLP	•	•	•	xxxx xxxx	uuuu uuuu	uuuu uuuu	uuuu uuuu	uuuu uuuu	uuuu uuuu
TBLH	•	•	•	xxxx xxxx	uuuu uuuu	uuuu uuuu	uuuu uuuu	uuuu uuuu	uuuu uuuu
TBHP	•			--x xxxx	---u uuuu	---u uuuu	---u uuuu	---u uuuu	---u uuuu
TBHP		•		--xx xxxx	--uu uuuu	--uu uuuu	--uu uuuu	--uu uuuu	--uu uuuu
TBHP			•	-xxx xxxx	-uuu uuuu	-uuu uuuu	-uuu uuuu	-uuu uuuu	-uuu uuuu
STATUS			•	xx00 xxxx	uuuu uuuu	xx1u uuuu	uu11 uuuu	xxuu uuuu	xxuu uuuu
PBP		•		---- --0	---- --u	---- --u	---- --u	---- --u	---- --u
PBP			•	---- --00	---- --uu	---- --uu	---- --uu	---- --uu	---- --uu
IAR2	•	•	•	0000 0000	0000 0000	0000 0000	uuuu uuuu	0000 0000	0000 0000
MP2L	•	•	•	0000 0000	0000 0000	0000 0000	uuuu uuuu	0000 0000	0000 0000
MP2H	•	•	•	0000 0000	0000 0000	0000 0000	uuuu uuuu	0000 0000	0000 0000
RSTFC	•	•	•	---- -x00	---- -uuu	---- -uuu	---- -uuu	---- -uuu	---- -uuu
INTC0	•	•	•	-000 0000	-000 0000	-000 0000	-uuu uuuu	-000 0000	-000 0000
INTC1	•	•	•	0000 0000	0000 0000	0000 0000	uuuu uuuu	0000 0000	0000 0000
INTC2	•	•	•	0000 0000	0000 0000	0000 0000	uuuu uuuu	0000 0000	0000 0000
INTC3	•	•	•	0000 0000	0000 0000	0000 0000	uuuu uuuu	0000 0000	0000 0000
PA	•	•	•	1111 1111	1111 1111	1111 1111	uuuu uuuu	1111 1111	1111 1111
PAC	•	•	•	1111 1111	1111 1111	1111 1111	uuuu uuuu	1111 1111	1111 1111
PAPU	•	•	•	0000 0000	0000 0000	0000 0000	uuuu uuuu	0000 0000	0000 0000
PAWUEG0	•	•	•	0000 0000	0000 0000	0000 0000	uuuu uuuu	0000 0000	0000 0000
PAWUEG1	•	•	•	0000 0000	0000 0000	0000 0000	uuuu uuuu	0000 0000	0000 0000
PB	•			--1 1111	--1 1111	--1 1111	---u uuuu	---1 1111	---1 1111
PB		•		-1-1 1111	-1-1 1111	-1-1 1111	-u-u uuuu	-1-1 1111	-1-1 1111
PB			•	1111 1111	1111 1111	1111 1111	uuuu uuuu	1111 1111	1111 1111
PBC	•			---1 1111	---1 1111	---1 1111	---u uuuu	---1 1111	---1 1111
PBC		•		-1-1 1111	-1-1 1111	-1-1 1111	-u-u uuuu	-1-1 1111	-1-1 1111
PBC			•	1111 1111	1111 1111	1111 1111	uuuu uuuu	1111 1111	1111 1111
PBPU	•			---0 0000	---0 0000	---0 0000	---u uuuu	---0 0000	---0 0000
PBPU		•		-0-0 0000	-0-0 0000	-0-0 0000	-u-u uuuu	-0-0 0000	-0-0 0000
PBPU			•	0000 0000	0000 0000	0000 0000	uuuu uuuu	0000 0000	0000 0000
PBWU	•			---0 0000	---0 0000	---0 0000	---u uuuu	---0 0000	---0 0000
PBWU		•		-0-0 0000	-0-0 0000	-0-0 0000	-u-u uuuu	-0-0 0000	-0-0 0000
PBWU			•	0000 0000	0000 0000	0000 0000	uuuu uuuu	0000 0000	0000 0000

Register	HT66FB572	HT66FB574	HT66FB576	Power On Reset	RES Reset (Normal Operation)	WDT Time-out (Normal Operation)	WDT Time-out (IDLE/SLEEP)	USB-reset (Normal Operation)	USB-reset (IDLE/SLEEP)
PC	•			--11 1---	--11 1---	--11 1---	--uu u---	--11 1---	--11 1---
PC		•		-111 1---	-111 1---	-111 1---	-uuu u---	-111 1---	-111 1---
PC			•	1111 1111	1111 1111	1111 1111	uuuu uuuu	1111 1111	1111 1111
PCC	•			--11 1---	--11 1---	--11 1---	--uu u---	--11 1---	--11 1---
PCC		•		-111 1---	-111 1---	-111 1---	-uuu u---	-111 1---	-111 1---
PCC			•	1111 1111	1111 1111	1111 1111	uuuu uuuu	1111 1111	1111 1111
PCPU	•			--00 0---	--00 0---	--00 0---	--uu u---	--00 0---	--00 0---
PCPU		•		-000 0---	-000 0---	-000 0---	-uuu u---	-000 0---	-000 0---
PCPU			•	0000 0000	0000 0000	0000 0000	uuuu uuuu	0000 0000	0000 0000
PCWU	•			--00 0---	--00 0---	--00 0---	--uu u---	--00 0---	--00 0---
PCWU		•		-000 0---	-000 0---	-000 0---	-uuu u---	-000 0---	-000 0---
PCWU			•	0000 0000	0000 0000	0000 0000	uuuu uuuu	0000 0000	0000 0000
PE	•	•	•	---- 1111	---- 1111	---- 1111	---- uuuu	---- 1111	---- 1111
PEC	•	•	•	---- 1111	---- 1111	---- 1111	---- uuuu	---- 1111	---- 1111
PEPU	•	•	•	---- 0000	---- 0000	---- 0000	---- uuuu	---- 0000	---- 0000
PEWU	•	•	•	---- 0000	---- 0000	---- 0000	---- uuuu	---- 0000	---- 0000
SPIAC0	•	•	•	111- --00	111- --00	111- --00	uuu- --uu	111- --00	111- --00
SPIAC1	•	•	•	--00 0000	--00 0000	--00 0000	--uu uuuu	--00 0000	--00 0000
SPIAD	•	•	•	xxxx xxxx	xxxx xxxx	xxxx xxxx	uuuu uuuu	xxxx xxxx	xxxx xxxx
LVRC	•	•	•	0101 0101	0101 0101	0101 0101	uuuu uuuu	0101 0101	0101 0101
LVDC	•	•	•	--00 0000	--00 0000	--00 0000	--uu uuuu	--00 0000	--00 0000
USR	•	•	•	0000 1011	0000 1011	0000 1011	uuuu uuuu	0000 1011	0000 1011
UCR1	•	•	•	0000 00x0	0000 00x0	0000 00x0	uuuu uuuu	0000 00x0	0000 00x0
UCR2	•	•	•	0000 0000	0000 0000	0000 0000	uuuu uuuu	0000 0000	0000 0000
TXR_RXR	•	•	•	xxxx xxxx	xxxx xxxx	xxxx xxxx	uuuu uuuu	xxxx xxxx	xxxx xxxx
BRG	•	•	•	xxxx xxxx	xxxx xxxx	xxxx xxxx	uuuu uuuu	xxxx xxxx	xxxx xxxx
STMC0	•	•	•	0000 0---	0000 0---	0000 0---	uuuu u---	0000 0---	0000 0---
STMC1	•	•	•	0000 0000	0000 0000	0000 0000	uuuu uuuu	0000 0000	0000 0000
STMDL	•	•	•	0000 0000	0000 0000	0000 0000	uuuu uuuu	0000 0000	0000 0000
STMDH	•	•	•	0000 0000	0000 0000	0000 0000	uuuu uuuu	0000 0000	0000 0000
STMAL	•	•	•	0000 0000	0000 0000	0000 0000	uuuu uuuu	0000 0000	0000 0000
STMAH	•	•	•	0000 0000	0000 0000	0000 0000	uuuu uuuu	0000 0000	0000 0000
STMRP	•	•	•	0000 0000	0000 0000	0000 0000	uuuu uuuu	0000 0000	0000 0000
PTM0C0	•	•	•	0000 0---	0000 0---	0000 0---	uuuu u---	0000 0---	0000 0---
PTM0C1	•	•	•	0000 0000	0000 0000	0000 0000	uuuu uuuu	0000 0000	0000 0000
PTM0DL	•	•	•	0000 0000	0000 0000	0000 0000	uuuu uuuu	0000 0000	0000 0000
PTM0DH	•	•	•	---- --00	---- --00	---- --00	---- --uu	---- --00	---- --00
PTM0AL	•	•	•	0000 0000	0000 0000	0000 0000	uuuu uuuu	0000 0000	0000 0000
PTM0AH	•	•	•	---- --00	---- --00	---- --00	---- --uu	---- --00	---- --00
PTM0RPL	•	•	•	0000 0000	0000 0000	0000 0000	uuuu uuuu	0000 0000	0000 0000

Register	HT66FB572	HT66FB574	HT66FB576	Power On Reset	RES Reset (Normal Operation)	WDT Time-out (Normal Operation)	WDT Time-out (IDLE/SLEEP)	USB-reset (Normal Operation)	USB-reset (IDLE/SLEEP)
PTM0RPH	•	•	•	---- -00	---- -00	---- -00	---- -uu	---- -00	---- -00
EEA	•	•	•	0000 0000	0000 0000	0000 0000	uuuu uuuu	0000 0000	0000 0000
EED	•	•	•	0000 0000	0000 0000	0000 0000	uuuu uuuu	0000 0000	0000 0000
FARL	•	•	•	0000 0000	0000 0000	0000 0000	uuuu uuuu	0000 0000	0000 0000
FD0L	•	•	•	0000 0000	0000 0000	0000 0000	uuuu uuuu	0000 0000	0000 0000
FD1L	•	•	•	0000 0000	0000 0000	0000 0000	uuuu uuuu	0000 0000	0000 0000
FD2L	•	•	•	0000 0000	0000 0000	0000 0000	uuuu uuuu	0000 0000	0000 0000
FD3L	•	•	•	0000 0000	0000 0000	0000 0000	uuuu uuuu	0000 0000	0000 0000
PTM2C0	•	•	•	0000 0---	0000 0---	0000 0---	uuuu u---	0000 0---	0000 0---
PTM2C1	•	•	•	0000 0000	0000 0000	0000 0000	uuuu uuuu	0000 0000	0000 0000
PTM2DL	•	•	•	0000 0000	0000 0000	0000 0000	uuuu uuuu	0000 0000	0000 0000
PTM2DH	•	•	•	---- -00	---- -00	---- -00	---- -uu	---- -00	---- -00
PTM2AL	•	•	•	0000 0000	0000 0000	0000 0000	uuuu uuuu	0000 0000	0000 0000
PTM2AH	•	•	•	---- -00	---- -00	---- -00	---- -uu	---- -00	---- -00
PTM2RPL	•	•	•	0000 0000	0000 0000	0000 0000	uuuu uuuu	0000 0000	0000 0000
PTM2RPH	•	•	•	---- -00	---- -00	---- -00	---- -uu	---- -00	---- -00
WDTC	•	•	•	0101 0011	0101 0011	0101 0011	uuuu uuuu	0101 0011	0101 0011
SADOL	•	•	•	xxxx ----	xxxx ----	xxxx ----	uuuu ---- (ADRF=0) uuuu uuuu (ADRF=1)	xxxx ----	xxxx ----
SADOH	•	•	•	xxxx xxxx	xxxx xxxx	xxxx xxxx	uuuu uuuu (ADRF=0) ---- uuuu (ADRF=1)	xxxx xxxx	xxxx xxxx
SADC0	•	•	•	0000 0000	0000 0000	0000 0000	uuuu uuuu	0000 0000	0000 0000
SADC1	•	•	•	0000 -000	0000 -000	0000 -000	uuuu -uuu	0000 -000	0000 -000
SADC2	•	•	•	0--0 0000	0--0 0000	0--0 0000	u--u uuuu	0--0 0000	0--0 0000
SCC	•	•	•	010- 0-00	010- 0-00	010- 0-00	uuu- u-uu	010- 0-00	010- 0-00
HIRCC	•	•	•	000- --01	uuu- --01	uuu- --01	uuu- --uu	uuu- --01	uuu- --01
HXTC	•	•	•	---- -000	---- -000	---- -000	---- -uuu	---- -000	---- -000
VBGRC	•	•	•	---- ---0	---- ---0	---- ---0	---- ---u	---- ---0	---- ---0
PLL	•	•	•	0-00 0001	0-uu uu0u	0-uu uu0u	u-uu uuuu	0-uu uu0u	0-uu uu0u
TB0C	•	•	•	0--- -000	0--- -000	0--- -000	u--- -uuu	0--- -000	0--- -000
TB1C	•	•	•	0--- -000	0--- -000	0--- -000	u--- -uuu	0--- -000	0--- -000
SYSC	•	•	•	-000 --0x	-000 --0x	-000 --0x	-uuu --ux	-000 --0x	-000 --0x
USB_STAT	•	•	•	11xx 000-	uuxx uuu-	uuxx uuu-	uuxx uuu-	uuxx uuu-	uuxx uuu-
UINT	•	•	•	0000 0000	uuuu uuuu	uuuu uuuu	uuuu uuuu	uuuu uuuu	uuuu uuuu
USC	•	•	•	1000 xxxx	uuuu xuuu	uuuu xuuu	uuuu xuuu	uuuu 0100	uuuu 0100
UESR	•	•	•	xxxx xxxx	uuuu uuuu	uuuu uuuu	uuuu uuuu	uuuu uuuu	uuuu uuuu
UCC	•	•	•	0-0x 0xxx	u-uu uuuu	u-uu uuuu	u-uu uuuu	u-u0 u000	u-u0 u000

Register	HT66FB572	HT66FB574	HT66FB576	Power On Reset	RES Reset (Normal Operation)	WDT Time-out (Normal Operation)	WDT Time-out (IDLE/SLEEP)	USB-reset (Normal Operation)	USB-reset (IDLE/SLEEP)
AWR	•	•	•	xxxx xxxx	uuuu uuuu	uuuu uuuu	uuuu uuuu	0000 0000	0000 0000
STLI	•	•	•	xxxx xxxx	uuuu uuuu	uuuu uuuu	uuuu uuuu	0000 0000	0000 0000
STLO	•	•	•	xxxx xxx-	uuuu uuu-	uuuu uu-	uuuu uu-	0000 000-	0000 000-
SIES	•	•	•	xxxx xxxx	uxxx xuuu	uxxx xuuu	uxxx xuuu	0000 0000	0000 0000
MISC	•	•	•	xxx0 -xxx	xxuu -uux	xxuu -uux	xxuu -uux	000u -000	000u -000
UFIEN	•	•	•	0000 0000	uuuu uuuu	uuuu uuuu	uuuu uuuu	uuuu uuuu	uuuu uuuu
UFOEN	•	•	•	0000 0000	uuuu uuuu	uuuu uuuu	uuuu uuuu	uuuu uuuu	uuuu uuuu
UFC0	•	•	•	0000 00--	uuuu uu--	uuuu uu--	uuuu uu--	uuuu uu--	uuuu uu--
UFC1	•	•	•	0000 0000	uuuu uuuu	uuuu uuuu	uuuu uuuu	uuuu uuuu	uuuu uuuu
UFC2	•	•	•	---- 0000	---- uuuu	---- uuuu	---- uuuu	---- uuuu	---- uuuu
FIFO0	•	•	•	xxxx xxxx	uuuu uuuu	uuuu uuuu	uuuu uuuu	uuuu uuuu	uuuu uuuu
FIFO1	•	•	•	xxxx xxxx	uuuu uuuu	uuuu uuuu	uuuu uuuu	uuuu uuuu	uuuu uuuu
FIFO2	•	•	•	xxxx xxxx	uuuu uuuu	uuuu uuuu	uuuu uuuu	uuuu uuuu	uuuu uuuu
FIFO3	•	•	•	xxxx xxxx	uuuu uuuu	uuuu uuuu	uuuu uuuu	uuuu uuuu	uuuu uuuu
FIFO4	•	•	•	xxxx xxxx	uuuu uuuu	uuuu uuuu	uuuu uuuu	uuuu uuuu	uuuu uuuu
FIFO5	•	•	•	xxxx xxxx	uuuu uuuu	uuuu uuuu	uuuu uuuu	uuuu uuuu	uuuu uuuu
FIFO6	•	•	•	xxxx xxxx	uuuu uuuu	uuuu uuuu	uuuu uuuu	uuuu uuuu	uuuu uuuu
FIFO7	•	•	•	xxxx xxxx	uuuu uuuu	uuuu uuuu	uuuu uuuu	uuuu uuuu	uuuu uuuu
SIMC0	•	•	•	111- 0000	111- 0000	111- 0000	uuu- uuuu	111- 0000	111- 0000
SIMC1	•	•	•	1000 0001	1000 0001	1000 0001	uuuu uuuu	1000 0001	1000 0001
SIMD	•	•	•	xxxx xxxx	xxxx xxxx	xxxx xxxx	uuuu uuuu	xxxx xxxx	xxxx xxxx
SIMA/ SIMC2	•	•	•	0000 0000	0000 0000	0000 0000	uuuu uuuu	0000 0000	0000 0000
SIMTOC	•	•	•	0000 0000	0000 0000	0000 0000	uuuu uuuu	0000 0000	0000 0000
SLEWC0	•	•	•	0000 0000	0000 0000	0000 0000	uuuu uuuu	0000 0000	0000 0000
SLEWC1	•	•	•	0000 0000	0000 0000	0000 0000	uuuu uuuu	0000 0000	0000 0000
SLEWC2	•	•	•	0000 --00	0000 --00	0000 --00	uuuu --uu	0000 --00	0000 --00
SLEWC3	•	•	•	---- 0000	---- 0000	---- 0000	---- uuuu	---- 0000	---- 0000
MFI0	•	•	•	--00 --00	--00 --00	--00 --00	--uu --uu	--00 --00	--00 --00
MFI1	•	•	•	--00 --00	--00 --00	--00 --00	--uu --uu	--00 --00	--00 --00
MFI2	•	•	•	--00 --00	--00 --00	--00 --00	--uu --uu	--00 --00	--00 --00
MFI3	•	•	•	--00 --00	--00 --00	--00 --00	--uu --uu	--00 --00	--00 --00
MFI4	•	•	•	--00 --00	--00 --00	--00 --00	--uu --uu	--00 --00	--00 --00
MFI5	•	•	•	0000 0000	0000 0000	0000 0000	uuuu uuuu	0000 0000	0000 0000
PMPS	•	•	•	---- 0000	---- 0000	---- 0000	---- uuuu	---- 0000	---- 0000
DRVCC0	•	•	•	0000 0000	0000 0000	0000 0000	uuuu uuuu	0000 0000	0000 0000
DRVCC1	•	•		--00 ---0	--00 ---0	--00 ---0	--uu ---u	--00 ---0	--00 ---0
DRVCC1			•	--00 00-0	--00 00-0	--00 00-0	--uu uu-u	--00 00-0	--00 00-0
IFS	•	•	•	---- 0000	---- 0000	---- 0000	---- uuuu	---- 0000	---- 0000
INTEG	•	•	•	---- 0000	---- 0000	---- 0000	---- uuuu	---- 0000	---- 0000

Register	HT66FB572	HT66FB574	HT66FB576	Power On Reset	RES Reset (Normal Operation)	WDT Time-out (Normal Operation)	WDT Time-out (IDLE/SLEEP)	USB-reset (Normal Operation)	USB-reset (IDLE/SLEEP)
PD	•			111- -111	111- -111	111- -111	uuu- -uuu	111- -111	111- -111
PD		•	•	1111 1111	1111 1111	1111 1111	uuuu uuuu	1111 1111	1111 1111
PDC	•			111- -111	111- -111	111- -111	uuu- -uuu	111- -111	111- -111
PDC		•	•	1111 1111	1111 1111	1111 1111	uuuu uuuu	1111 1111	1111 1111
PDPU	•			000- -000	000- -000	000- -000	uuu- -uuu	000- -000	000- -000
PDPU		•	•	0000 0000	0000 0000	0000 0000	uuuu uuuu	0000 0000	0000 0000
PDWU	•			000- -000	000- -000	000- -000	uuu- -uuu	000- -000	000- -000
PDWU		•	•	0000 0000	0000 0000	0000 0000	uuuu uuuu	0000 0000	0000 0000
PF			•	1111 1111	1111 1111	1111 1111	uuuu uuuu	1111 1111	1111 1111
PFC			•	1111 1111	1111 1111	1111 1111	uuuu uuuu	1111 1111	1111 1111
PFPU			•	0000 0000	0000 0000	0000 0000	uuuu uuuu	0000 0000	0000 0000
PFWU			•	0000 0000	0000 0000	0000 0000	uuuu uuuu	0000 0000	0000 0000
PG	•	•	•	1111 1111	1111 1111	1111 1111	uuuu uuuu	1111 1111	1111 1111
PGC	•	•	•	1111 1111	1111 1111	1111 1111	uuuu uuuu	1111 1111	1111 1111
PGPU	•	•	•	0000 0000	0000 0000	0000 0000	uuuu uuuu	0000 0000	0000 0000
PGWU	•	•	•	0000 0000	0000 0000	0000 0000	uuuu uuuu	0000 0000	0000 0000
PAS0	•	•	•	0000 00--	0000 00--	0000 00--	uuuu uu--	0000 00--	0000 00--
PAS1	•	•	•	--00 0000	--00 0000	--00 0000	--uu uuuu	--00 0000	--00 0000
PBS0	•	•	•	0000 0000	0000 0000	0000 0000	uuuu uuuu	0000 0000	0000 0000
PBS1	•			---- -00	---- -00	---- -00	---- -uu	---- -00	---- -00
PBS1		•		--00 --00	--00 --00	--00 --00	--uu --uu	--00 --00	--00 --00
PBS1			•	0000 0000	0000 0000	0000 0000	uuuu uuuu	0000 0000	0000 0000
PCS0			•	0000 0000	0000 0000	0000 0000	uuuu uuuu	0000 0000	0000 0000
PCS1	•			---- 0000	---- 0000	---- 0000	---- uuuu	---- 0000	---- 0000
PCS1		•		--00 0000	--00 0000	--00 0000	--uu uuuu	--00 0000	--00 0000
PCS1			•	0000 0000	0000 0000	0000 0000	uuuu uuuu	0000 0000	0000 0000
PDS0	•		•	---- 0000	---- 0000	---- 0000	---- uuuu	---- 0000	---- 0000
PDS0		•		00-- 0000	00-- 0000	00-- 0000	uu-- uuuu	00-- 0000	00-- 0000
PDS1	•		•	0000 00--	0000 00--	0000 00--	uuuu uu--	0000 00--	0000 00--
PDS1		•		0000 0000	0000 0000	0000 0000	uuuu uuuu	0000 0000	0000 0000
PES0	•	•	•	0000 --00	0000 --00	0000 --00	uuuu --uu	0000 --00	0000 --00
PGS0	•	•	•	0000 0000	0000 0000	0000 0000	uuuu uuuu	0000 0000	0000 0000
PGS1	•	•	•	0000 0000	0000 0000	0000 0000	uuuu uuuu	0000 0000	0000 0000
PTM1C0	•	•	•	0000 0---	0000 0---	0000 0---	uuuu u---	0000 0---	0000 0---
PTM1C1	•	•	•	0000 0000	0000 0000	0000 0000	uuuu uuuu	0000 0000	0000 0000
PTM1DL	•	•	•	0000 0000	0000 0000	0000 0000	uuuu uuuu	0000 0000	0000 0000
PTM1DH	•	•	•	---- -00	---- -00	---- -00	---- -uu	---- -00	---- -00
PTM1AL	•	•	•	0000 0000	0000 0000	0000 0000	uuuu uuuu	0000 0000	0000 0000
PTM1AH	•	•	•	---- -00	---- -00	---- -00	---- -uu	---- -00	---- -00
PTM1RPL	•	•	•	0000 0000	0000 0000	0000 0000	uuuu uuuu	0000 0000	0000 0000

Register	HT66FB572	HT66FB574	HT66FB576	Power On Reset	RES Reset (Normal Operation)	WDT Time-out (Normal Operation)	WDT Time-out (IDLE/SLEEP)	USB-reset (Normal Operation)	USB-reset (IDLE/SLEEP)
PTM1RPH	•	•	•	---- --00	---- --00	---- --00	---- --uu	---- --00	---- --00
EEC	•	•	•	---- 0000	---- 0000	---- 0000	---- uuuu	---- 0000	---- 0000
FRCR	•	•	•	00-0 ---0	00-u ---0	00-u ---0	uu-u ---u	00-u ---0	00-u ---0
FCR	•	•	•	0000 0000	0000 0000	0000 0000	uuuu uuuu	0000 0000	0000 0000
FARH	•			---0 0000	---0 0000	---0 0000	---u uuuu	---0 0000	---0 0000
FARH		•		--00 0000	--00 0000	--00 0000	--uu uuuu	--00 0000	--00 0000
FARH			•	-000 0000	-000 0000	-000 0000	-000 0000	-uuu uuuu	-000 0000
FD0H	•	•	•	0000 0000	0000 0000	0000 0000	0000 0000	uuuu uuuu	0000 0000
FD1H	•	•	•	0000 0000	0000 0000	0000 0000	0000 0000	uuuu uuuu	0000 0000
FD2H	•	•	•	0000 0000	0000 0000	0000 0000	0000 0000	uuuu uuuu	0000 0000
FD3H	•	•	•	0000 0000	0000 0000	0000 0000	0000 0000	uuuu uuuu	0000 0000
CMP0C	•	•	•	-000 ---1	-000 ---1	-000 ---1	-uuu ---u	-000 ---1	-000 ---1
CMP1C	•	•	•	-000 ---1	-000 ---1	-000 ---1	-uuu ---u	-000 ---1	-000 ---1
PSCR	•	•	•	---- --00	---- --00	---- --00	---- --uu	---- --00	---- --00
LM0IR	•	•	•	0-00 0000	0-00 0000	0-00 0000	u-uu uuuu	0-00 0000	0-00 0000
LM0CAR	•	•	•	0-00 0000	0-00 0000	0-00 0000	u-uu uuuu	0-00 0000	0-00 0000
LM0CBR	•	•	•	0-00 0000	0-00 0000	0-00 0000	u-uu uuuu	0-00 0000	0-00 0000
LM0CCR	•	•	•	0-00 0000	0-00 0000	0-00 0000	u-uu uuuu	0-00 0000	0-00 0000
LM1IR	•	•	•	0-00 0000	0-00 0000	0-00 0000	u-uu uuuu	0-00 0000	0-00 0000
LM1CAR	•	•	•	0-00 0000	0-00 0000	0-00 0000	u-uu uuuu	0-00 0000	0-00 0000
LM1CBR	•	•	•	0-00 0000	0-00 0000	0-00 0000	u-uu uuuu	0-00 0000	0-00 0000
LM1CCR	•	•	•	0-00 0000	0-00 0000	0-00 0000	u-uu uuuu	0-00 0000	0-00 0000
LM2IR	•	•	•	0-00 0000	0-00 0000	0-00 0000	u-uu uuuu	0-00 0000	0-00 0000
LM2CAR	•	•	•	0-00 0000	0-00 0000	0-00 0000	u-uu uuuu	0-00 0000	0-00 0000
LM2CBR	•	•	•	0-00 0000	0-00 0000	0-00 0000	u-uu uuuu	0-00 0000	0-00 0000
LM2CCR	•	•	•	0-00 0000	0-00 0000	0-00 0000	u-uu uuuu	0-00 0000	0-00 0000
LM3IR	•	•	•	0-00 0000	0-00 0000	0-00 0000	u-uu uuuu	0-00 0000	0-00 0000
LM3CAR	•	•	•	0-00 0000	0-00 0000	0-00 0000	u-uu uuuu	0-00 0000	0-00 0000
LM3CBR	•	•	•	0-00 0000	0-00 0000	0-00 0000	u-uu uuuu	0-00 0000	0-00 0000
LM3CCR	•	•	•	0-00 0000	0-00 0000	0-00 0000	u-uu uuuu	0-00 0000	0-00 0000
LM4IR	•	•	•	0-00 0000	0-00 0000	0-00 0000	u-uu uuuu	0-00 0000	0-00 0000
LM4CAR	•	•	•	0-00 0000	0-00 0000	0-00 0000	u-uu uuuu	0-00 0000	0-00 0000
LM4CBR	•	•	•	0-00 0000	0-00 0000	0-00 0000	u-uu uuuu	0-00 0000	0-00 0000
LM4CCR	•	•	•	0-00 0000	0-00 0000	0-00 0000	u-uu uuuu	0-00 0000	0-00 0000
LM5IR		•	•	0-00 0000	0-00 0000	0-00 0000	u-uu uuuu	0-00 0000	0-00 0000
LM5CAR		•	•	0-00 0000	0-00 0000	0-00 0000	u-uu uuuu	0-00 0000	0-00 0000
LM5CBR		•	•	0-00 0000	0-00 0000	0-00 0000	u-uu uuuu	0-00 0000	0-00 0000
LM5CCR		•	•	0-00 0000	0-00 0000	0-00 0000	u-uu uuuu	0-00 0000	0-00 0000
LM6IR		•	•	0-00 0000	0-00 0000	0-00 0000	u-uu uuuu	0-00 0000	0-00 0000
LM6CAR		•	•	0-00 0000	0-00 0000	0-00 0000	u-uu uuuu	0-00 0000	0-00 0000

Register	HT66FB572	HT66FB574	HT66FB576	Power On Reset	RES Reset (Normal Operation)	WDT Time-out (Normal Operation)	WDT Time-out (IDLE/SLEEP)	USB-reset (Normal Operation)	USB-reset (IDLE/SLEEP)
LM6CBR		•	•	0-00 0000	0-00 0000	0-00 0000	u-uu uuuu	0-00 0000	0-00 0000
LM6CCR		•	•	0-00 0000	0-00 0000	0-00 0000	u-uu uuuu	0-00 0000	0-00 0000
LM7IR		•	•	0-00 0000	0-00 0000	0-00 0000	u-uu uuuu	0-00 0000	0-00 0000
LM7CAR		•	•	0-00 0000	0-00 0000	0-00 0000	u-uu uuuu	0-00 0000	0-00 0000
LM7CBR		•	•	0-00 0000	0-00 0000	0-00 0000	u-uu uuuu	0-00 0000	0-00 0000
LM7CCR		•	•	0-00 0000	0-00 0000	0-00 0000	u-uu uuuu	0-00 0000	0-00 0000
LM8IR			•	0-00 0000	0-00 0000	0-00 0000	u-uu uuuu	0-00 0000	0-00 0000
LM8CAR			•	0-00 0000	0-00 0000	0-00 0000	u-uu uuuu	0-00 0000	0-00 0000
LM8CBR			•	0-00 0000	0-00 0000	0-00 0000	u-uu uuuu	0-00 0000	0-00 0000
LM8CCR			•	0-00 0000	0-00 0000	0-00 0000	u-uu uuuu	0-00 0000	0-00 0000
LM9IR			•	0-00 0000	0-00 0000	0-00 0000	u-uu uuuu	0-00 0000	0-00 0000
LM9CAR			•	0-00 0000	0-00 0000	0-00 0000	u-uu uuuu	0-00 0000	0-00 0000
LM9CBR			•	0-00 0000	0-00 0000	0-00 0000	u-uu uuuu	0-00 0000	0-00 0000
LM9CCR			•	0-00 0000	0-00 0000	0-00 0000	u-uu uuuu	0-00 0000	0-00 0000
LMAIR			•	0-00 0000	0-00 0000	0-00 0000	u-uu uuuu	0-00 0000	0-00 0000
LMACAR			•	0-00 0000	0-00 0000	0-00 0000	u-uu uuuu	0-00 0000	0-00 0000
LMACBR			•	0-00 0000	0-00 0000	0-00 0000	u-uu uuuu	0-00 0000	0-00 0000
LMACCR			•	0-00 0000	0-00 0000	0-00 0000	u-uu uuuu	0-00 0000	0-00 0000
LMBIR			•	0-00 0000	0-00 0000	0-00 0000	u-uu uuuu	0-00 0000	0-00 0000
LMBCAR			•	0-00 0000	0-00 0000	0-00 0000	u-uu uuuu	0-00 0000	0-00 0000
LMBCBR			•	0-00 0000	0-00 0000	0-00 0000	u-uu uuuu	0-00 0000	0-00 0000
LMBCCR			•	0-00 0000	0-00 0000	0-00 0000	u-uu uuuu	0-00 0000	0-00 0000
LMCIR			•	0-00 0000	0-00 0000	0-00 0000	u-uu uuuu	0-00 0000	0-00 0000
LMCCAR			•	0-00 0000	0-00 0000	0-00 0000	u-uu uuuu	0-00 0000	0-00 0000
LMCCBR			•	0-00 0000	0-00 0000	0-00 0000	u-uu uuuu	0-00 0000	0-00 0000
LMCCCR			•	0-00 0000	0-00 0000	0-00 0000	u-uu uuuu	0-00 0000	0-00 0000
LMDIR			•	0-00 0000	0-00 0000	0-00 0000	u-uu uuuu	0-00 0000	0-00 0000
LMDCAR			•	0-00 0000	0-00 0000	0-00 0000	u-uu uuuu	0-00 0000	0-00 0000
LMDCBR			•	0-00 0000	0-00 0000	0-00 0000	u-uu uuuu	0-00 0000	0-00 0000
LMDCCR			•	0-00 0000	0-00 0000	0-00 0000	u-uu uuuu	0-00 0000	0-00 0000
LMEIR			•	0-00 0000	0-00 0000	0-00 0000	u-uu uuuu	0-00 0000	0-00 0000
LMECAR			•	0-00 0000	0-00 0000	0-00 0000	u-uu uuuu	0-00 0000	0-00 0000
LMECBR			•	0-00 0000	0-00 0000	0-00 0000	u-uu uuuu	0-00 0000	0-00 0000
LMECCR			•	0-00 0000	0-00 0000	0-00 0000	u-uu uuuu	0-00 0000	0-00 0000
LMFIR			•	0-00 0000	0-00 0000	0-00 0000	u-uu uuuu	0-00 0000	0-00 0000
LMFCAR			•	0-00 0000	0-00 0000	0-00 0000	u-uu uuuu	0-00 0000	0-00 0000
LMFCBR			•	0-00 0000	0-00 0000	0-00 0000	u-uu uuuu	0-00 0000	0-00 0000
LMFCCR			•	0-00 0000	0-00 0000	0-00 0000	u-uu uuuu	0-00 0000	0-00 0000
RAC0E0	•			---0 0000	---0 0000	---0 0000	---u uuuu	---0 0000	---0 0000
RAC0E0		•	•	0000 0000	0000 0000	0000 0000	uuuu uuuu	0000 0000	0000 0000

Register	HT66FB572	HT66FB574	HT66FB576	Power On Reset	RES Reset (Normal Operation)	WDT Time-out (Normal Operation)	WDT Time-out (IDLE/SLEEP)	USB-reset (Normal Operation)	USB-reset (IDLE/SLEEP)
RAC0E1			•	0000 0000	0000 0000	0000 0000	uuuu uuuu	0000 0000	0000 0000
RAC1E0	•			---0 0000	---0 0000	---0 0000	---u uuuu	---0 0000	---0 0000
RAC1E0		•	•	0000 0000	0000 0000	0000 0000	uuuu uuuu	0000 0000	0000 0000
RAC1E1			•	0000 0000	0000 0000	0000 0000	uuuu uuuu	0000 0000	0000 0000
RAC2E0	•			---0 0000	---0 0000	---0 0000	---u uuuu	---0 0000	---0 0000
RAC2E0		•	•	0000 0000	0000 0000	0000 0000	uuuu uuuu	0000 0000	0000 0000
RAC2E1			•	0000 0000	0000 0000	0000 0000	uuuu uuuu	0000 0000	0000 0000
RAC3E0	•			---0 0000	---0 0000	---0 0000	---u uuuu	---0 0000	---0 0000
RAC3E0		•	•	0000 0000	0000 0000	0000 0000	uuuu uuuu	0000 0000	0000 0000
RAC3E1			•	0000 0000	0000 0000	0000 0000	uuuu uuuu	0000 0000	0000 0000
RAC4E0	•			---0 0000	---0 0000	---0 0000	---u uuuu	---0 0000	---0 0000
RAC4E0		•	•	0000 0000	0000 0000	0000 0000	uuuu uuuu	0000 0000	0000 0000
RAC4E1			•	0000 0000	0000 0000	0000 0000	uuuu uuuu	0000 0000	0000 0000
RAC5E0	•			---0 0000	---0 0000	---0 0000	---u uuuu	---0 0000	---0 0000
RAC5E0		•	•	0000 0000	0000 0000	0000 0000	uuuu uuuu	0000 0000	0000 0000
RAC5E1			•	0000 0000	0000 0000	0000 0000	uuuu uuuu	0000 0000	0000 0000
RAC6E0	•			---0 0000	---0 0000	---0 0000	---u uuuu	---0 0000	---0 0000
RAC6E0		•	•	0000 0000	0000 0000	0000 0000	uuuu uuuu	0000 0000	0000 0000
RAC6E1			•	0000 0000	0000 0000	0000 0000	uuuu uuuu	0000 0000	0000 0000
RAC7E0	•			---0 0000	---0 0000	---0 0000	---u uuuu	---0 0000	---0 0000
RAC7E0		•	•	0000 0000	0000 0000	0000 0000	uuuu uuuu	0000 0000	0000 0000
RAC7E1			•	0000 0000	0000 0000	0000 0000	uuuu uuuu	0000 0000	0000 0000
RBC0E0	•			---0 0000	---0 0000	---0 0000	---u uuuu	---0 0000	---0 0000
RBC0E0		•	•	0000 0000	0000 0000	0000 0000	uuuu uuuu	0000 0000	0000 0000
RBC0E1			•	0000 0000	0000 0000	0000 0000	uuuu uuuu	0000 0000	0000 0000
RBC1E0	•			---0 0000	---0 0000	---0 0000	---u uuuu	---0 0000	---0 0000
RBC1E0		•	•	0000 0000	0000 0000	0000 0000	uuuu uuuu	0000 0000	0000 0000
RBC1E1			•	0000 0000	0000 0000	0000 0000	uuuu uuuu	0000 0000	0000 0000
RBC2E0	•			---0 0000	---0 0000	---0 0000	---u uuuu	---0 0000	---0 0000
RBC2E0		•	•	0000 0000	0000 0000	0000 0000	uuuu uuuu	0000 0000	0000 0000
RBC2E1			•	0000 0000	0000 0000	0000 0000	uuuu uuuu	0000 0000	0000 0000
RBC3E0	•			---0 0000	---0 0000	---0 0000	---u uuuu	---0 0000	---0 0000
RBC3E0		•	•	0000 0000	0000 0000	0000 0000	uuuu uuuu	0000 0000	0000 0000
RBC3E1			•	0000 0000	0000 0000	0000 0000	uuuu uuuu	0000 0000	0000 0000
RBC4E0	•			---0 0000	---0 0000	---0 0000	---u uuuu	---0 0000	---0 0000
RBC4E0		•	•	0000 0000	0000 0000	0000 0000	uuuu uuuu	0000 0000	0000 0000
RBC4E1			•	0000 0000	0000 0000	0000 0000	uuuu uuuu	0000 0000	0000 0000
RBC5E0	•			---0 0000	---0 0000	---0 0000	---u uuuu	---0 0000	---0 0000
RBC5E0		•	•	0000 0000	0000 0000	0000 0000	uuuu uuuu	0000 0000	0000 0000
RBC5E1			•	0000 0000	0000 0000	0000 0000	uuuu uuuu	0000 0000	0000 0000

Register	HT66FB572	HT66FB574	HT66FB576	Power On Reset	RES Reset (Normal Operation)	WDT Time-out (Normal Operation)	WDT Time-out (IDLE/SLEEP)	USB-reset (Normal Operation)	USB-reset (IDLE/SLEEP)
RBC6E0	•			---0 0000	---0 0000	---0 0000	---u uuuu	---0 0000	---0 0000
RBC6E0		•	•	0000 0000	0000 0000	0000 0000	uuuu uuuu	0000 0000	0000 0000
RBC6E1			•	0000 0000	0000 0000	0000 0000	uuuu uuuu	0000 0000	0000 0000
RBC7E0	•			---0 0000	---0 0000	---0 0000	---u uuuu	---0 0000	---0 0000
RBC7E0		•	•	0000 0000	0000 0000	0000 0000	uuuu uuuu	0000 0000	0000 0000
RBC7E1			•	0000 0000	0000 0000	0000 0000	uuuu uuuu	0000 0000	0000 0000
LCIO0	•	•	•	0000 0000	0000 0000	0000 0000	uuuu uuuu	0000 0000	0000 0000
LCIO1	•	•	•	0000 0000	0000 0000	0000 0000	uuuu uuuu	0000 0000	0000 0000
LFCR	•	•	•	0000 0000	0000 0000	0000 0000	uuuu uuuu	0000 0000	0000 0000
PWMCTL0	•	•	•	0000 0000	0000 0000	0000 0000	uuuu uuuu	0000 0000	0000 0000
PWMCTL1	•	•	•	0100 0000	0100 0000	0100 0000	uuuu uuuu	0100 0000	0100 0000
PWMILM	•	•	•	--00 0000	--00 0000	--00 0000	--uu uuuu	--00 0000	--00 0000
PWMALM	•	•	•	--00 0000	--00 0000	--00 0000	--uu uuuu	--00 0000	--00 0000
PWMBLM	•	•	•	--00 0000	--00 0000	--00 0000	--uu uuuu	--00 0000	--00 0000
PWMCLM	•	•	•	--00 0000	--00 0000	--00 0000	--uu uuuu	--00 0000	--00 0000
PWMIHM	•	•	•	--11 1111	--11 1111	--11 1111	--uu uuuu	--11 1111	--11 1111
PWMAHM	•	•	•	--11 1111	--11 1111	--11 1111	--uu uuuu	--11 1111	--11 1111
PWMBHM	•	•	•	--11 1111	--11 1111	--11 1111	--uu uuuu	--11 1111	--11 1111
PWMCHM	•	•	•	--11 1111	--11 1111	--11 1111	--uu uuuu	--11 1111	--11 1111
HMOS	•	•	•	0000 0000	0000 0000	0000 0000	uuuu uuuu	0000 0000	0000 0000
HLMD	•	•	•	--11 1111	--11 1111	--11 1111	--uu uuuu	--11 1111	--11 1111
LLMD	•	•	•	--00 0000	--00 0000	--00 0000	--uu uuuu	--00 0000	--00 0000
CCS	•	•	•	0010 --01	0010 --01	0010 --01	uuuu --uu	0010 --01	0010 --01

Note: “u” stands for unchanged
 “x” stands for unknown
 “-” stands for unimplemented

Input/Output Ports

Holtek microcontrollers offer considerable flexibility on their I/O ports. With the input or output designation of every pin fully under user program control, pull-high selections for all ports and wake-up selections on certain pins, the user is provided with an I/O structure to meet the needs of a wide range of application possibilities.

The devices provide bidirectional input/output lines labeled with port names PA~PG. These I/O ports are mapped to the RAM Data Memory with specific addresses as shown in the Special Purpose Data Memory table. All of these I/O ports can be used for input and output operations. For input operation, these ports are non-latching, which means the inputs must be ready at the T2 rising edge of instruction “MOV A, [m]”, where m denotes the port address. For output operation, all the data is latched and remains unchanged until the output latch is rewritten.

Register Name	Bit							
	7	6	5	4	3	2	1	0
PA	PA7	PA6	PA5	PA4	PA3	PA2	PA1	PA0
PAC	PAC7	PAC6	PAC5	PAC4	PAC3	PAC2	PAC1	PAC0
PAPU	PAPU7	PAPU6	PAPU5	PAPU4	PAPU3	PAPU2	PAPU1	PAPU0
PAWUEG0	PAWUEG07	PAWUEG06	PAWUEG05	PAWUEG04	PAWUEG03	PAWUEG02	PAWUEG01	PAWUEG00
PAWUEG1	PAWUEG17	PAWUEG16	PAWUEG15	PAWUEG14	PAWUEG13	PAWUEG12	PAWUEG11	PAWUEG10
PB	—	—	—	PB4	PB3	PB2	PB1	PB0
PBC	—	—	—	PBC4	PBC3	PBC2	PBC1	PBC0
PBPU	—	—	—	PBPU4	PBPU3	PBPU2	PBPU1	PBPU0
PBWU	—	—	—	PBWU4	PBWU3	PBWU2	PBWU1	PBWU0
PC	—	—	PC5	PC4	PC3	—	—	—
PCC	—	—	PCC5	PCC4	PCC3	—	—	—
PCPU	—	—	PCPU5	PCPU4	PCPU3	—	—	—
PCWU	—	—	PCWU5	PCWU4	PCWU3	—	—	—
PD	PD7	PD6	PD5	—	—	PD2	PD1	PD0
PDC	PDC7	PDC6	PDC5	—	—	PDC2	PDC1	PDC0
PDPU	PDPU7	PDPU6	PDPU5	—	—	PDPU2	PDPU1	PDPU0
PDWU	PDWU7	PDWU6	PDWU5	—	—	PDWU2	PDWU1	PDWU0
PE	—	—	—	—	PE3	PE2	PE1	PE0
PEC	—	—	—	—	PEC3	PEC2	PEC1	PEC0
PEPU	—	—	—	—	PEPU3	PEPU2	PEPU1	PEPU0
PEWU	—	—	—	—	PEWU3	PEWU2	PEWU1	PEWU0
PG	PG7	PG6	PG5	PG4	PG3	PG2	PG1	PG0
PGC	PGC7	PGC6	PGC5	PGC4	PGC3	PGC2	PGC1	PGC0
PGPU	PGPU7	PGPU6	PGPU5	PGPU4	PGPU3	PGPU2	PGPU1	PGPU0
PGWU	PGWU7	PGWU6	PGWU5	PGWU4	PGWU3	PGWU2	PGWU1	PGWU0

I/O Logic Function Registers List – HT66FB572

Register Name	Bit							
	7	6	5	4	3	2	1	0
PA	PA7	PA6	PA5	PA4	PA3	PA2	PA1	PA0
PAC	PAC7	PAC6	PAC5	PAC4	PAC3	PAC2	PAC1	PAC0
PAPU	PAPU7	PAPU6	PAPU5	PAPU4	PAPU3	PAPU2	PAPU1	PAPU0
PAWUEG0	PAWUEG07	PAWUEG06	PAWUEG05	PAWUEG04	PAWUEG03	PAWUEG02	PAWUEG01	PAWUEG00
PAWUEG1	PAWUEG17	PAWUEG16	PAWUEG15	PAWUEG14	PAWUEG13	PAWUEG12	PAWUEG11	PAWUEG10
PB	—	PB6	—	PB4	PB3	PB2	PB1	PB0
PBC	—	PBC6	—	PBC4	PBC3	PBC2	PBC1	PBC0
PBPU	—	PBPU6	—	PBPU4	PBPU3	PBPU2	PBPU1	PBPU0
PBWU	—	PBWU6	—	PBWU4	PBWU3	PBWU2	PBWU1	PBWU0
PC	—	PC6	PC5	PC4	PC3	—	—	—
PCC	—	PCC6	PCC5	PCC4	PCC3	—	—	—
PCPU	—	PCPU6	PCPU5	PCPU4	PCPU3	—	—	—
PCWU	—	PCWU6	PCWU5	PCWU4	PCWU3	—	—	—
PD	PD7	PD6	PD5	PD4	PD3	PD2	PD1	PD0
PDC	PDC7	PDC6	PDC5	PDC4	PDC3	PDC2	PDC1	PDC0
PDPU	PDPU7	PDPU6	PDPU5	PDPU4	PDPU3	PDPU2	PDPU1	PDPU0
PDWU	PDWU7	PDWU6	PDWU5	PDWU4	PDWU3	PDWU2	PDWU1	PDWU0
PE	—	—	—	—	PE3	PE2	PE1	PE0
PEC	—	—	—	—	PEC3	PEC2	PEC1	PEC0
PEPU	—	—	—	—	PEPU3	PEPU2	PEPU1	PEPU0
PEWU	—	—	—	—	PEWU3	PEWU2	PEWU1	PEWU0
PG	PG7	PG6	PG5	PG4	PG3	PG2	PG1	PG0
PGC	PGC7	PGC6	PGC5	PGC4	PGC3	PGC2	PGC1	PGC0
PGPU	PGPU7	PGPU6	PGPU5	PGPU4	PGPU3	PGPU2	PGPU1	PGPU0
PGWU	PGWU7	PGWU6	PGWU5	PGWU4	PGWU3	PGWU2	PGWU1	PGWU0

I/O Logic Function Registers List – HT66FB574

Register Name	Bit							
	7	6	5	4	3	2	1	0
PA	PA7	PA6	PA5	PA4	PA3	PA2	PA1	PA0
PAC	PAC7	PAC6	PAC5	PAC4	PAC3	PAC2	PAC1	PAC0
PAPU	PAPU7	PAPU6	PAPU5	PAPU4	PAPU3	PAPU2	PAPU1	PAPU0
PAWUEG0	PAWUEG07	PAWUEG06	PAWUEG05	PAWUEG04	PAWUEG03	PAWUEG02	PAWUEG01	PAWUEG00
PAWUEG1	PAWUEG17	PAWUEG16	PAWUEG15	PAWUEG14	PAWUEG13	PAWUEG12	PAWUEG11	PAWUEG10
PB	PB7	PB6	PB5	PB4	PB3	PB2	PB1	PB0
PBC	PBC7	PBC6	PBC5	PBC4	PBC3	PBC2	PBC1	PBC0
PBPU	PBPU7	PBPU6	PBPU5	PBPU4	PBPU3	PBPU2	PBPU1	PBPU0
PBWU	PBWU7	PBWU6	PBWU5	PBWU4	PBWU3	PBWU2	PBWU1	PBWU0
PC	PC7	PC6	PC5	PC4	PC3	PC2	PC1	PC0
PCC	PCC7	PCC6	PCC5	PCC4	PCC3	PCC2	PCC1	PCC0
PCPU	PCPU7	PCPU6	PCPU5	PCPU4	PCPU3	PCPU2	PCPU1	PCPU0
PCWU	PCWU7	PCWU6	PCWU5	PCWU4	PCWU3	PCWU2	PCWU1	PCWU0
PD	PD7	PD6	PD5	PD4	PD3	PD2	PD1	PD0
PDC	PDC7	PDC6	PDC5	PDC4	PDC3	PDC2	PDC1	PDC0
PDPU	PDPU7	PDPU6	PDPU5	PDPU4	PDPU3	PDPU2	PDPU1	PDPU0
PDWU	PDWU7	PDWU6	PDWU5	PDWU4	PDWU3	PDWU2	PDWU1	PDWU0
PE	—	—	—	—	PE3	PE2	PE1	PE0
PEC	—	—	—	—	PEC3	PEC2	PEC1	PEC0
PEPU	—	—	—	—	PEPU3	PEPU2	PEPU1	PEPU0
PEWU	—	—	—	—	PEWU3	PEWU2	PEWU1	PEWU0
PF	PF7	PF6	PF5	PF4	PF3	PF2	PF1	PF0
PFC	PFC7	PFC6	PFC5	PFC4	PFC3	PFC2	PFC1	PFC0
PFPU	PFPU7	PFPU6	PFPU5	PFPU4	PFPU3	PFPU2	PFPU1	PFPU0
PFWU	PFWU7	PFWU6	PFWU5	PFWU4	PFWU3	PFWU2	PFWU1	PFWU0
PG	PG7	PG6	PG5	PG4	PG3	PG2	PG1	PG0
PGC	PGC7	PGC6	PGC5	PGC4	PGC3	PGC2	PGC1	PGC0
PGPU	PGPU7	PGPU6	PGPU5	PGPU4	PGPU3	PGPU2	PGPU1	PGPU0
PGWU	PGWU7	PGWU6	PGWU5	PGWU4	PGWU3	PGWU2	PGWU1	PGWU0

“—”: Unimplemented, read as “0”

I/O Logic Function Registers List – HT66FB576

Pull-high Resistors

Many product applications require pull-high resistors for their switch inputs usually requiring the use of an external resistor. To eliminate the need for these external resistors, all I/O pins, when configured as an input have the capability of being connected to an internal pull-high resistor. These pull-high resistors are selected using registers, namely PAPU~PGPU, and are implemented using weak PMOS transistors.

Note that the pull-high resistor can be controlled by the relevant pull-high control register only when the pin-shared functional pin is selected as an input or NMOS output. Otherwise, the pull-high resistors cannot be enabled.

• P_xPU Register

Bit	7	6	5	4	3	2	1	0
Name	P _x PU7	P _x PU6	P _x PU5	P _x PU4	P _x PU3	P _x PU2	P _x PU1	P _x PU0
R/W	R/W	R/W	R/W	R/W	R/W	R/W	R/W	R/W
POR	0	0	0	0	0	0	0	0

P_xPU_n: I/O Port x Pin pull-high function control

0: Disable

1: Enable

The P_xPU_n bit is used to control the pin pull-high function. Here the “x” can be A, B, C, D, E, F and G. However, the actual available bits for each I/O Port may be different.

I/O Port Wake-up

The HALT instruction forces the microcontroller into the SLEEP or IDLE Mode which preserves power, a feature that is important for battery and other low-power applications. Various methods exist to wake-up the microcontroller, one of which is to change the logic condition on one of the Port B ~ Port G pins from high to low, while from high to low or from low to high or both on one of the Port A pins. This function is especially suitable for applications that can be woken up via external switches. Each pin on PA~PG can be selected individually to have this wake-up feature using the PAWUEG0, PAWUEG1, PBWU~PGWU registers.

Note that the wake-up function can be controlled by the wake-up control registers only when the pin-shared functional pin is selected as general purpose input/output and the MCU enters the Power down mode.

• P_xWU Register

Bit	7	6	5	4	3	2	1	0
Name	P _x WU7	P _x WU6	P _x WU5	P _x WU4	P _x WU3	P _x WU2	P _x WU1	P _x WU0
R/W	R/W	R/W	R/W	R/W	R/W	R/W	R/W	R/W
POR	0	0	0	0	0	0	0	0

P_xWU_n: I/O Port x Pin wake-up function control

0: Disable

1: Enable

The P_xWU_n bit is used to control the pin wake-up function. Here the “x” can be B, C, D, E, F and G. However, the actual available bits for each I/O Port may be different.

Port A Wake-up Polarity Control Register

The Port A can be setup to have a choice of wake-up polarity using specific registers. Each pin on Port A can be selected individually to have this Wake-up polarity feature using the PAWUEG0 or PAWUEG1 register.

• PAWUEG0 Register

Bit	7	6	5	4	3	2	1	0
Name	PAWUEG07	PAWUEG06	PAWUEG05	PAWUEG04	PAWUEG03	PAWUEG02	PAWUEG01	PAWUEG00
R/W	R/W	R/W	R/W	R/W	R/W	R/W	R/W	R/W
POR	0	0	0	0	0	0	0	0

- Bit 7~6 **PAWUEG07~PAWUEG06**: PA3 wake-up edge control
 00: Disable
 01: Rising edge trigger
 10: Falling edge trigger
 11: Rising and falling edges trigger
- Bit 5~4 **PAWUEG05~PAWUEG04**: PA2 wake-up edge control
 00: Disable
 01: Rising edge trigger
 10: Falling edge trigger
 11: Rising and falling edges trigger
- Bit 3~2 **PAWUEG03~PAWUEG02**: PA1 wake-up edge control
 00: Disable
 01: Rising edge trigger
 10: Falling edge trigger
 11: Rising and falling edges trigger
- Bit 1~0 **PAWUEG01~PAWUEG00**: PA0 wake-up edge control
 00: Disable
 01: Rising edge trigger
 10: Falling edge trigger
 11: Rising and falling edges trigger

• PAWUEG1 Register

Bit	7	6	5	4	3	2	1	0
Name	PAWUEG17	PAWUEG16	PAWUEG15	PAWUEG14	PAWUEG13	PAWUEG12	PAWUEG11	PAWUEG10
R/W	R/W	R/W	R/W	R/W	R/W	R/W	R/W	R/W
POR	0	0	0	0	0	0	0	0

- Bit 7~6 **PAWUEG17~PAWUEG16**: PA7 wake-up edge control
 00: Disable
 01: Rising edge trigger
 10: Falling edge trigger
 11: Rising and falling edges trigger
- Bit 5~4 **PAWUEG15~PAWUEG14**: PA6 wake-up edge control
 00: Disable
 01: Rising edge trigger
 10: Falling edge trigger
 11: Rising and falling edges trigger
- Bit 3~2 **PAWUEG13~PAWUEG12**: PA5 wake-up edge control
 00: Disable
 01: Rising edge trigger
 10: Falling edge trigger
 11: Rising and falling edges trigger
- Bit 1~0 **PAWUEG11~PAWUEG10**: PA4 wake-up edge control
 00: Disable
 01: Rising edge trigger
 10: Falling edge trigger
 11: Rising and falling edges trigger

I/O Port Control Registers

Each I/O port has its own control register known as PAC~PGC, to control the input/output configuration. With this control register, each CMOS output or input can be reconfigured dynamically under software control. Each pin of the I/O ports is directly mapped to a bit in its associated port control register. For the I/O pin to function as an input, the corresponding bit of the control register must be written as a “1”. This will then allow the logic state of the input pin to be directly read by instructions. When the corresponding bit of the control register is written as a “0”, the I/O pin will be setup as a CMOS output. If the pin is currently setup as an output, instructions can still be used to read the output register. However, it should be noted that the program will in fact only read the status of the output data latch and not the actual logic status of the output pin.

• PxC Register

Bit	7	6	5	4	3	2	1	0
Name	PxC7	PxC6	PxC5	PxC4	PxC3	PxC2	PxC1	PxC0
R/W	R/W	R/W	R/W	R/W	R/W	R/W	R/W	R/W
POR	1	1	1	1	1	1	1	1

PxCn: I/O Port x Pin type selection

0: Output

1: Input

The PxCn bit is used to control the pin type selection. Here the “x” can be A, B, C, D, E, F and G. However, the actual available bits for each I/O Port may be different.

Port A Power Source Control Register

The Port A can be setup to have a choice of various power source using specific register. The Port A must be selected by nibble pins to have various power sources using the PMPS register.

• PMPS Register

Bit	7	6	5	4	3	2	1	0
Name	—	—	—	—	PMPS3	PMPS2	PMPS1	PMPS0
R/W	—	—	—	—	R/W	R/W	R/W	R/W
POR	—	—	—	—	0	0	0	0

Bit 7~4 Unimplemented, read as “0”

Bit 3~2 **PMPS3~PMPS2:** PA7~PA4 power supply selection

00: V_{DD}

01: V_{DD}

10: V_{DDIO}

11: V₃₃₀, 3.3V regulator output

Bit 1~0 **PMPS1~PMPS0:** PA3~PA0 power supply selection

00: V_{DD}

01: V_{DD}

10: V_{DDIO}

11: V₃₃₀, 3.3V regulator output

I/O Port Output Slew Rate Control Registers

The I/O ports, PA~PG, can be setup to have a choice of various slew rate using specific registers. The PA~PG must be selected by nibble pins to have various slew rate using the SLEWC0~SLEWC3 registers. Users should refer to the D.C. Characteristics section to obtain the exact value for different applications.

Register Name	Bit							
	7	6	5	4	3	2	1	0
SLEWC0	SLEWC07	SLEWC06	SLEWC05	SLEWC04	SLEWC03	SLEWC02	SLEWC01	SLEWC00
SLEWC1	SLEWC17	SLEWC16	SLEWC15	SLEWC14	SLEWC13	SLEWC12	SLEWC11	SLEWC10
SLEWC2(HT66FB572/ HT66FB574)	—	—	—	—	—	—	SLEWC21	SLEWC20
SLEWC2(HT66FB576)	SLEWC27	SLEWC26	SLEWC25	SLEWC24	—	—	SLEWC21	SLEWC20
SLEWC3	—	—	—	—	SLEWC33	SLEWC32	SLEWC31	SLEWC30

Output Slew Rate Control Registers List
• SLEWC0 Register – HT66FB572

Bit	7	6	5	4	3	2	1	0
Name	SLEWC07	SLEWC06	SLEWC05	SLEWC04	SLEWC03	SLEWC02	SLEWC01	SLEWC00
R/W	R/W	R/W	R/W	R/W	R/W	R/W	R/W	R/W
POR	0	0	0	0	0	0	0	0

- Bit 7~6 **SLEWC07~SLEWC06**: PB4 output slew rate selection
 00: Slew rate = Level 0
 01: Slew rate = Level 1
 10: Slew rate = Level 2
 11: Slew rate = Level 3
- Bit 5~4 **SLEWC05~SLEWC04**: PB3~PB0 output slew rate selection
 00: Slew rate = Level 0
 01: Slew rate = Level 1
 10: Slew rate = Level 2
 11: Slew rate = Level 3
- Bit 3~2 **SLEWC03~SLEWC02**: PA7~PA4 output slew rate selection
 00: Slew rate = Level 0
 01: Slew rate = Level 1
 10: Slew rate = Level 2
 11: Slew rate = Level 3
- Bit 1~0 **SLEWC01~SLEWC00**: PA3~PA0 output slew rate selection
 00: Slew rate = Level 0
 01: Slew rate = Level 1
 10: Slew rate = Level 2
 11: Slew rate = Level 3

• SLEWC0 Register – HT66FB574

Bit	7	6	5	4	3	2	1	0
Name	SLEWC07	SLEWC06	SLEWC05	SLEWC04	SLEWC03	SLEWC02	SLEWC01	SLEWC00
R/W	R/W	R/W	R/W	R/W	R/W	R/W	R/W	R/W
POR	0	0	0	0	0	0	0	0

- Bit 7~6 **SLEWC07~SLEWC06**: PB6 and PB4 output slew rate selection
 00: Slew rate = Level 0
 01: Slew rate = Level 1
 10: Slew rate = Level 2
 11: Slew rate = Level 3
- Bit 5~4 **SLEWC05~SLEWC04**: PB3~PB0 output slew rate selection
 00: Slew rate = Level 0
 01: Slew rate = Level 1
 10: Slew rate = Level 2
 11: Slew rate = Level 3

Bit 3~2 **SLEWC03~SLEWC02**: PA7~PA4 output slew rate selection
 00: Slew rate = Level 0
 01: Slew rate = Level 1
 10: Slew rate = Level 2
 11: Slew rate = Level 3

Bit 1~0 **SLEWC01~SLEWC00**: PA3~PA0 output slew rate selection
 00: Slew rate = Level 0
 01: Slew rate = Level 1
 10: Slew rate = Level 2
 11: Slew rate = Level 3

• **SLEWC0 Register – HT66FB576**

Bit	7	6	5	4	3	2	1	0
Name	SLEWC07	SLEWC06	SLEWC05	SLEWC04	SLEWC03	SLEWC02	SLEWC01	SLEWC00
R/W	R/W	R/W	R/W	R/W	R/W	R/W	R/W	R/W
POR	0	0	0	0	0	0	0	0

Bit 7~6 **SLEWC07~SLEWC06**: PB7~PB4 output slew rate selection
 00: Slew rate = Level 0
 01: Slew rate = Level 1
 10: Slew rate = Level 2
 11: Slew rate = Level 3

Bit 5~4 **SLEWC05~SLEWC04**: PB3~PB0 output slew rate selection
 00: Slew rate = Level 0
 01: Slew rate = Level 1
 10: Slew rate = Level 2
 11: Slew rate = Level 3

Bit 3~2 **SLEWC03~SLEWC02**: PA7~PA4 output slew rate selection
 00: Slew rate = Level 0
 01: Slew rate = Level 1
 10: Slew rate = Level 2
 11: Slew rate = Level 3

Bit 1~0 **SLEWC01~SLEWC00**: PA3~PA0 output slew rate selection
 00: Slew rate = Level 0
 01: Slew rate = Level 1
 10: Slew rate = Level 2
 11: Slew rate = Level 3

• **SLEWC1 Register – HT66FB572**

Bit	7	6	5	4	3	2	1	0
Name	SLEWC17	SLEWC16	SLEWC15	SLEWC14	SLEWC13	SLEWC12	SLEWC11	SLEWC10
R/W	R/W	R/W	R/W	R/W	R/W	R/W	R/W	R/W
POR	0	0	0	0	0	0	0	0

Bit 7~6 **SLEWC17~SLEWC16**: PD7~PD5 output slew rate selection
 00: Slew rate = Level 0
 01: Slew rate = Level 1
 10: Slew rate = Level 2
 11: Slew rate = Level 3

Bit 5~4 **SLEWC15~SLEWC14**: PD2~PD0 output slew rate selection
 00: Slew rate = Level 0
 01: Slew rate = Level 1
 10: Slew rate = Level 2
 11: Slew rate = Level 3

Bit 3~2 **SLEWC13~SLEWC12**: PC5~PC4 output slew rate selection
 00: Slew rate = Level 0
 01: Slew rate = Level 1
 10: Slew rate = Level 2
 11: Slew rate = Level 3

Bit 1~0 **SLEWC11~SLEWC10**: PC3 output slew rate selection
 00: Slew rate = Level 0
 01: Slew rate = Level 1
 10: Slew rate = Level 2
 11: Slew rate = Level 3

• **SLEWC1 Register – HT66FB574**

Bit	7	6	5	4	3	2	1	0
Name	SLEWC17	SLEWC16	SLEWC15	SLEWC14	SLEWC13	SLEWC12	SLEWC11	SLEWC10
R/W	R/W	R/W	R/W	R/W	R/W	R/W	R/W	R/W
POR	0	0	0	0	0	0	0	0

Bit 7~6 **SLEWC17~SLEWC16**: PD7~PD4 output slew rate selection
 00: Slew rate = Level 0
 01: Slew rate = Level 1
 10: Slew rate = Level 2
 11: Slew rate = Level 3

Bit 5~4 **SLEWC15~SLEWC14**: PD3~PD0 output slew rate selection
 00: Slew rate = Level 0
 01: Slew rate = Level 1
 10: Slew rate = Level 2
 11: Slew rate = Level 3

Bit 3~2 **SLEWC13~SLEWC12**: PC6~PC4 output slew rate selection
 00: Slew rate = Level 0
 01: Slew rate = Level 1
 10: Slew rate = Level 2
 11: Slew rate = Level 3

Bit 1~0 **SLEWC11~SLEWC10**: PC3 output slew rate selection
 00: Slew rate = Level 0
 01: Slew rate = Level 1
 10: Slew rate = Level 2
 11: Slew rate = Level 3

• **SLEWC1 Register – HT66FB576**

Bit	7	6	5	4	3	2	1	0
Name	SLEWC17	SLEWC16	SLEWC15	SLEWC14	SLEWC13	SLEWC12	SLEWC11	SLEWC10
R/W	R/W	R/W	R/W	R/W	R/W	R/W	R/W	R/W
POR	0	0	0	0	0	0	0	0

Bit 7~6 **SLEWC17~SLEWC16**: PD7~PD4 output slew rate selection
 00: Slew rate = Level 0
 01: Slew rate = Level 1
 10: Slew rate = Level 2
 11: Slew rate = Level 3

Bit 5~4 **SLEWC15~SLEWC14**: PD3~PD0 output slew rate selection
 00: Slew rate = Level 0
 01: Slew rate = Level 1
 10: Slew rate = Level 2
 11: Slew rate = Level 3

Bit 3~2 **SLEWC13~SLEWC12**: PC7~PC4 output slew rate selection
 00: Slew rate = Level 0
 01: Slew rate = Level 1
 10: Slew rate = Level 2
 11: Slew rate = Level 3

Bit 1~0 **SLEWC11~SLEWC10**: PC3~PC0 output slew rate selection
 00: Slew rate = Level 0
 01: Slew rate = Level 1
 10: Slew rate = Level 2
 11: Slew rate = Level 3

• **SLEWC2 Register – HT66FB572/HT66FB574**

Bit	7	6	5	4	3	2	1	0
Name	—	—	—	—	—	—	SLEWC21	SLEWC20
R/W	—	—	—	—	—	—	R/W	R/W
POR	—	—	—	—	—	—	0	0

Bit 7~2 Unimplemented, read as “0”

Bit 1~0 **SLEWC21~SLEWC20**: PE3~PE0 output slew rate selection
 00: Slew rate = Level 0
 01: Slew rate = Level 1
 10: Slew rate = Level 2
 11: Slew rate = Level 3

• **SLEWC2 Register – HT66FB576**

Bit	7	6	5	4	3	2	1	0
Name	SLEWC27	SLEWC26	SLEWC25	SLEWC24	—	—	SLEWC21	SLEWC20
R/W	R/W	R/W	R/W	R/W	—	—	R/W	R/W
POR	0	0	0	0	—	—	0	0

Bit 7~6 **SLEWC27~SLEWC26**: PF7~PF4 output slew rate selection
 00: Slew rate = Level 0
 01: Slew rate = Level 1
 10: Slew rate = Level 2
 11: Slew rate = Level 3

Bit 5~4 **SLEWC25~SLEWC24**: PF3~PF0 output slew rate selection
 00: Slew rate = Level 0
 01: Slew rate = Level 1
 10: Slew rate = Level 2
 11: Slew rate = Level 3

Bit 3~2 Unimplemented, read as “0”

Bit 1~0 **SLEWC21~SLEWC20**: PE3~PE0 output slew rate selection
 00: Slew rate = Level 0
 01: Slew rate = Level 1
 10: Slew rate = Level 2
 11: Slew rate = Level 3

• **SLEWC3 Register**

Bit	7	6	5	4	3	2	1	0
Name	—	—	—	—	SLEWC33	SLEWC32	SLEWC31	SLEWC30
R/W	—	—	—	—	R/W	R/W	R/W	R/W
POR	—	—	—	—	0	0	0	0

Bit 7~4 Unimplemented, read as “0”

- Bit 3~2 **SLEWC33~SLEWC32**: PG7~PG4 output slew rate selection
 00: Slew rate = Level 0
 01: Slew rate = Level 1
 10: Slew rate = Level 2
 11: Slew rate = Level 3
- Bit 1~0 **SLEWC31~SLEWC30**: PG3~PG0 output slew rate selection
 00: Slew rate = Level 0
 01: Slew rate = Level 1
 10: Slew rate = Level 2
 11: Slew rate = Level 3

I/O Port Output Current Control Registers

The I/O ports, PA~PG, can be setup to have a choice of high or low drive currents using specific registers. The PA~PG must be selected by nibble pins to have various output current using the DRVCC0 and DRVCC1 registers. Users should refer to the D.C. Characteristics section to obtain the exact value for different applications.

Register Name	Bit							
	7	6	5	4	3	2	1	0
DRVCC0	DRVCC07	DRVCC06	DRVCC05	DRVCC04	DRVCC03	DRVCC02	DRVCC01	DRVCC00
DRVCC1	—	—	DRVCC15	DRVCC14	DRVCC13	DRVCC12	—	DRVCC10

Output Current Control Registers List

• **DRVCC0 Register – HT66FB572**

Bit	7	6	5	4	3	2	1	0
Name	DRVCC07	DRVCC06	DRVCC05	DRVCC04	DRVCC03	DRVCC02	DRVCC01	DRVCC00
R/W	R/W	R/W	R/W	R/W	R/W	R/W	R/W	R/W
POR	0	0	0	0	0	0	0	0

- Bit 7 **DRVCC07**: PD7~PD5 source & sink current selection
 0: Source & Sink current = Level 0 (Min.)
 1: Source & Sink current = Level 1 (Max.)
- Bit 6 **DRVCC06**: PD2~PD0 source & sink current selection
 0: Source & Sink current = Level 0 (Min.)
 1: Source & Sink current = Level 1 (Max.)
- Bit 5 **DRVCC05**: PC5~PC4 source & sink current selection
 0: Source & Sink current = Level 0 (Min.)
 1: Source & Sink current = Level 1 (Max.)
- Bit 4 **DRVCC04**: PC3 source & sink current selection
 0: Source & Sink current = Level 0 (Min.)
 1: Source & Sink current = Level 1 (Max.)
- Bit 3 **DRVCC03**: PB4 source & sink current selection
 0: Source & Sink current = Level 0 (Min.)
 1: Source & Sink current = Level 1 (Max.)
- Bit 2 **DRVCC02**: PB3~PB0 source & sink current selection
 0: Source & Sink current = Level 0 (Min.)
 1: Source & Sink current = Level 1 (Max.)
- Bit 1 **DRVCC01**: PA7~PA4 source & sink current selection
 0: Source & Sink current = Level 0 (Min.)
 1: Source & Sink current = Level 1 (Max.)
- Bit 0 **DRVCC00**: PA3~PA0 source & sink current selection
 0: Source & Sink current = Level 0 (Min.)
 1: Source & Sink current = Level 1 (Max.)

• **DRVCC0 Register – HT66FB574**

Bit	7	6	5	4	3	2	1	0
Name	DRVCC07	DRVCC06	DRVCC05	DRVCC04	DRVCC03	DRVCC02	DRVCC01	DRVCC00
R/W	R/W	R/W	R/W	R/W	R/W	R/W	R/W	R/W
POR	0	0	0	0	0	0	0	0

- Bit 7 **DRVCC07:** PD7~PD4 source & sink current selection
0: Source & Sink current = Level 0 (Min.)
1: Source & Sink current = Level 1 (Max.)
- Bit 6 **DRVCC06:** PD3~PD0 source & sink current selection
0: Source & Sink current = Level 0 (Min.)
1: Source & Sink current = Level 1 (Max.)
- Bit 5 **DRVCC05:** PC6~PC4 source & sink current selection
0: Source & Sink current = Level 0 (Min.)
1: Source & Sink current = Level 1 (Max.)
- Bit 4 **DRVCC04:** PC3 source & sink current selection
0: Source & Sink current = Level 0 (Min.)
1: Source & Sink current = Level 1 (Max.)
- Bit 3 **DRVCC03:** PB6 and PB4 source & sink current selection
0: Source & Sink current = Level 0 (Min.)
1: Source & Sink current = Level 1 (Max.)
- Bit 2 **DRVCC02:** PB3~PB0 source & sink current selection
0: Source & Sink current = Level 0 (Min.)
1: Source & Sink current = Level 1 (Max.)
- Bit 1 **DRVCC01:** PA7~PA4 source & sink current selection
0: Source & Sink current = Level 0 (Min.)
1: Source & Sink current = Level 1 (Max.)
- Bit 0 **DRVCC00:** PA3~PA0 source & sink current selection
0: Source & Sink current = Level 0 (Min.)
1: Source & Sink current = Level 1 (Max.)

• **DRVCC0 Register – HT66FB576**

Bit	7	6	5	4	3	2	1	0
Name	DRVCC07	DRVCC06	DRVCC05	DRVCC04	DRVCC03	DRVCC02	DRVCC01	DRVCC00
R/W	R/W	R/W	R/W	R/W	R/W	R/W	R/W	R/W
POR	0	0	0	0	0	0	0	0

- Bit 7 **DRVCC07:** PD7~PD4 source & sink current selection
0: Source & Sink current = Level 0 (Min.)
1: Source & Sink current = Level 1 (Max.)
- Bit 6 **DRVCC06:** PD3~PD0 source & sink current selection
0: Source & Sink current = Level 0 (Min.)
1: Source & Sink current = Level 1 (Max.)
- Bit 5 **DRVCC05:** PC7~PC4 source & sink current selection
0: Source & Sink current = Level 0 (Min.)
1: Source & Sink current = Level 1 (Max.)
- Bit 4 **DRVCC04:** PC3~PC0 source & sink current selection
0: Source & Sink current = Level 0 (Min.)
1: Source & Sink current = Level 1 (Max.)
- Bit 3 **DRVCC03:** PB7~PB4 source & sink current selection
0: Source & Sink current = Level 0 (Min.)
1: Source & Sink current = Level 1 (Max.)

- Bit 2 **DRVCC02:** PB3~PB0 source & sink current selection
0: Source & Sink current = Level 0 (Min.)
1: Source & Sink current = Level 1 (Max.)
- Bit 1 **DRVCC01:** PA7~PA4 source & sink current selection
0: Source & Sink current = Level 0 (Min.)
1: Source & Sink current = Level 1 (Max.)
- Bit 0 **DRVCC00:** PA3~PA0 source & sink current selection
0: Source & Sink current = Level 0 (Min.)
1: Source & Sink current = Level 1 (Max.)

• **DRVCC1 Register – HT66FB572/HT66FB574**

Bit	7	6	5	4	3	2	1	0
Name	—	—	DRVCC15	DRVCC14	—	—	—	DRVCC10
R/W	—	—	R/W	R/W	—	—	—	R/W
POR	—	—	0	0	—	—	—	0

- Bit 7~6 Unimplemented, read as “0”
- Bit 5 **DRVCC15:** PG7~PG4 source & sink current selection
0: Source & Sink current = Level 0 (Min.)
1: Source & Sink current = Level 1 (Max.)
- Bit 4 **DRVCC14:** PG3~PG0 source & sink current selection
0: Source & Sink current = Level 0 (Min.)
1: Source & Sink current = Level 1 (Max.)
- Bit 3~1 Unimplemented, read as “0”
- Bit 0 **DRVCC10:** PE3~PE0 source & sink current selection
0: Source & Sink current = Level 0 (Min.)
1: Source & Sink current = Level 1 (Max.)

• **DRVCC1 Register – HT66FB576**

Bit	7	6	5	4	3	2	1	0
Name	—	—	DRVCC15	DRVCC14	DRVCC13	DRVCC12	—	DRVCC10
R/W	—	—	R/W	R/W	R/W	R/W	—	R/W
POR	—	—	0	0	0	0	—	0

- Bit 7~6 Unimplemented, read as “0”
- Bit 5 **DRVCC15:** PG7~PG4 source & sink current selection
0: Source & Sink current = Level 0 (Min.)
1: Source & Sink current = Level 1 (Max.)
- Bit 4 **DRVCC14:** PG3~PG0 source & sink current selection
0: Source & Sink current = Level 0 (Min.)
1: Source & Sink current = Level 1 (Max.)
- Bit 3 **DRVCC13:** PF7~PF4 source & sink current selection
0: Source & Sink current = Level 0 (Min.)
1: Source & Sink current = Level 1 (Max.)
- Bit 2 **DRVCC12:** PF3~PF0 source & sink current selection
0: Source & Sink current = Level 0 (Min.)
1: Source & Sink current = Level 1 (Max.)
- Bit 1 Unimplemented, read as “0”
- Bit 0 **DRVCC10:** PE3~PE0 source & sink current selection
0: Source & Sink current = Level 0 (Min.)
1: Source & Sink current = Level 1 (Max.)

Pin-shared Functions

The flexibility of the microcontroller range is greatly enhanced by the use of pins that have more than one function. Limited numbers of pins can force serious design constraints on designers but by supplying pins with multi-functions, many of these difficulties can be overcome. For these pins, the desired function of the multi-function I/O pins is selected by a series of registers via the application program control.

Pin-shared Function Selection Registers

The limited number of supplied pins in a package can impose restrictions on the amount of functions a certain device can contain. However by allowing the same pins to share several different functions and providing a means of function selection, a wide range of different functions can be incorporated into even relatively small package sizes. The devices include Port “x” Output Function Selection register “n”, labeled as P_xS_n, and Input Function Selection register, labeled as IFS, which can select the desired functions of the multi-function pin-shared pins.

When the pin-shared input function is selected to be used, the corresponding input and output functions selection should be properly managed. For example, if the Periodic Type TM capture input mode is used, the corresponding output pin-shared function should be configured as the Periodic Type TM function by configuring the P_xS_n register and the capture input should be properly selected using the IFS register. However, if the external interrupt function is selected to be used, the relevant output pin-shared function should be selected as an I/O function and the interrupt input signal should be selected.

The most important point to note is to make sure that the desired pin-shared function is properly selected and also deselected. For most pin-shared functions, to select the desired pin-shared function, the pin-shared function should first be correctly selected using the corresponding pin-shared control register. After that the corresponding peripheral functional setting should be configured and then the peripheral function can be enabled. However, special point must be noted for some digital input pins, such as INT_n, xTCK_n, xTPnI, etc, which share the same pin-shared control configuration with their corresponding general purpose I/O functions when setting the relevant pin-shared control bit fields. To select these pin functions, in addition to the necessary pin-shared control and peripheral functional setup aforementioned, they must also be setup as input by setting the corresponding bit in the I/O port control register. To correctly deselect the pin-shared function, the peripheral function should first be disabled and then the corresponding pin-shared function control register can be modified to select other pin-shared functions.

Register Name	Bit							
	7	6	5	4	3	2	1	0
PAS0	PAS07	PAS06	PAS05	PAS04	PAS03	PAS02	—	—
PAS1	—	—	PAS15	PAS14	PAS13	PAS12	PAS11	PAS10
PBS0	PBS07	PBS06	PBS05	PBS04	PBS03	PBS02	PBS01	PBS00
PBS1	—	—	—	—	—	—	PBS11	PBS10
PCS1	—	—	—	—	PCS13	PCS12	PCS11	PCS10
PDS0	—	—	—	—	PDS03	PDS02	PDS01	PDS00
PDS1	PDS17	PDS16	PDS15	PDS14	PDS13	PDS12	—	—
PES0	PES07	PES06	PES05	PES04	—	—	PES01	PES00
PGS0	PGS07	PGS06	PGS05	PGS04	PGS03	PGS02	PGS01	PGS00
PGS1	PGS17	PGS16	PGS15	PGS14	PGS13	PGS12	PGS11	PGS10
IFS	—	—	—	—	PTP2IPS	PTP1IPS	PTP0IPS	STPIPS

Pin-shared Function Selection Registers List – HT66FB572

Register Name	Bit							
	7	6	5	4	3	2	1	0
PAS0	PAS07	PAS06	PAS05	PAS04	PAS03	PAS02	—	—
PAS1	—	—	PAS15	PAS14	PAS13	PAS12	PAS11	PAS10
PBS0	PBS07	PBS06	PBS05	PBS04	PBS03	PBS02	PBS01	PBS00
PBS1	—	—	PBS15	PBS14	—	—	PBS11	PBS10
PCS1	—	—	PCS15	PCS14	PCS13	PCS12	PCS11	PCS10
PDS0	PDS07	PDS06	—	—	PDS03	PDS02	PDS01	PDS00
PDS1	PDS17	PDS16	PDS15	PDS14	PDS13	PDS12	PDS11	PDS10
PES0	PES07	PES06	PES05	PES04	—	—	PES01	PES00
PGS0	PGS07	PGS06	PGS05	PGS04	PGS03	PGS02	PGS01	PGS00
PGS1	PGS17	PGS16	PGS15	PGS14	PGS13	PGS12	PGS11	PGS10
IFS	—	—	—	—	PTP2IPS	PTP1IPS	PTP0IPS	STPIPS

Pin-shared Function Selection Registers List – HT66FB574

Register Name	Bit							
	7	6	5	4	3	2	1	0
PAS0	PAS07	PAS06	PAS05	PAS04	PAS03	PAS02	—	—
PAS1	—	—	PAS15	PAS14	PAS13	PAS12	PAS11	PAS10
PBS0	PBS07	PBS06	PBS05	PBS04	PBS03	PBS02	PBS01	PBS00
PBS1	PBS17	PBS16	PBS15	PBS14	PBS13	PBS12	PBS11	PBS10
PCS0	PCS07	PCS06	PCS05	PCS04	PCS03	PCS02	PCS01	PCS00
PCS1	PCS17	PCS16	PCS15	PCS14	PCS13	PCS12	PCS11	PCS10
PDS0	—	—	—	—	PDS03	PDS02	PDS01	PDS00
PDS1	PDS17	PDS16	PDS15	PDS14	PDS13	PDS12	—	—
PES0	PES07	PES06	PES05	PES04	—	—	PES01	PES00
PGS0	PGS07	PGS06	PGS05	PGS04	PGS03	PGS02	PGS01	PGS00
PGS1	PGS17	PGS16	PGS15	PGS14	PGS13	PGS12	PGS11	PGS10
IFS	—	—	—	—	PTP2IPS	PTP1IPS	PTP0IPS	STPIPS

Pin-shared Function Selection Registers List – HT66FB576
• PAS0 Register

Bit	7	6	5	4	3	2	1	0
Name	PAS07	PAS06	PAS05	PAS04	PAS03	PAS02	—	—
R/W	R/W	R/W	R/W	R/W	R/W	R/W	—	—
POR	0	0	0	0	0	0	—	—

- Bit 7~6 **PAS07~PAS06:** PA3 Pin-Shared function selection
00/01: PA3
10: SCKA
11: C0-
- Bit 5~4 **PAS05~PAS04:** PA2 Pin-Shared function selection
00/01: PA2
10: SDIA
11: C0+
- Bit 3~2 **PAS03~PAS02:** PA1 Pin-Shared function selection
00/01: PA1
10: SDOA
11: C0X
- Bit 1~0 Unimplemented, read as “0”

• **PAS1 Register**

Bit	7	6	5	4	3	2	1	0
Name	—	—	PAS15	PAS14	PAS13	PAS12	PAS11	PAS10
R/W	—	—	R/W	R/W	R/W	R/W	R/W	R/W
POR	—	—	0	0	0	0	0	0

- Bit 7~6 Unimplemented, read as “0”
- Bit 5~4 **PAS15~PAS14:** PA6 Pin-Shared function selection
00/01/10: PA6/STCK
11: C1-
- Bit 3~2 **PAS13~PAS12:** PA5 Pin-Shared function selection
00/01: PA5/PTP01
10: PTP0
11: C1+
- Bit 1~0 **PAS11~PAS10:** PA4 Pin-Shared function selection
00: PA4/STPI
01: SCSA
10: STP
11: C1X

• **PBS0 Register**

Bit	7	6	5	4	3	2	1	0
Name	PBS07	PBS06	PBS05	PBS04	PBS03	PBS02	PBS01	PBS00
R/W	R/W	R/W	R/W	R/W	R/W	R/W	R/W	R/W
POR	0	0	0	0	0	0	0	0

- Bit 7~6 **PBS07~PBS06:** PB3 Pin-Shared function selection
00/01: PB3
10: SCS
11: AN3
- Bit 5~4 **PBS05~PBS04:** PB2 Pin-Shared function selection
00/01: PB2
10: SCK
11: AN2
- Bit 3~2 **PBS03~PBS02:** PB1 Pin-Shared function selection
00/01: PB1
10: SDI/SCL
11: AN1
- Bit 1~0 **PBS01~PBS00:** PB0 Pin-Shared function selection
00/01: PB0
10: SDO/SDA
11: AN0

• **PBS1 Register – HT66FB572**

Bit	7	6	5	4	3	2	1	0
Name	—	—	—	—	—	—	PBS11	PBS10
R/W	—	—	—	—	—	—	R/W	R/W
POR	—	—	—	—	—	—	0	0

- Bit 7~2 Unimplemented, read as “0”
- Bit 1~0 **PBS11~PBS10:** PB4 Pin-Shared function selection
00/01: PB4/STPI
10: STP
11: AN4

• PBS1 Register – HT66FB574

Bit	7	6	5	4	3	2	1	0
Name	—	—	PBS15	PBS14	—	—	PBS11	PBS10
R/W	—	—	R/W	R/W	—	—	R/W	R/W
POR	—	—	0	0	—	—	0	0

- Bit 7~6 Unimplemented, read as “0”
- Bit 5~4 **PBS15~PBS14**: PB6 Pin-Shared function selection
 00/01/10: PB6
 11: AN5
- Bit 3~2 Unimplemented, read as “0”
- Bit 1~0 **PBS11~PBS10**: PB4 Pin-Shared function selection
 00/01: PB4/STPI
 10: STP
 11: AN4

• PBS1 Register – HT66FB576

Bit	7	6	5	4	3	2	1	0
Name	PBS17	PBS16	PBS15	PBS14	PBS13	PBS12	PBS11	PBS10
R/W	R/W	R/W	R/W	R/W	R/W	R/W	R/W	R/W
POR	0	0	0	0	0	0	0	0

- Bit 7~6 **PBS17~PBS16**: PB7 Pin-Shared function selection
 00/01/10: PB7
 11: AN7
- Bit 5~4 **PBS15~PBS14**: PB6 Pin-Shared function selection
 00/01/10: PB6/INT1
 11: AN6
- Bit 3~2 **PBS13~PBS12**: PB5 Pin-Shared function selection
 00/01/10: PB5
 11: AN5
- Bit 1~0 **PBS11~PBS10**: PB4 Pin-Shared function selection
 00/01: PB4/STPI
 10: STP
 11: AN4

• PCS0 Register – HT66FB576

Bit	7	6	5	4	3	2	1	0
Name	PCS07	PCS06	PCS05	PCS04	PCS03	PCS02	PCS01	PCS00
R/W	R/W	R/W	R/W	R/W	R/W	R/W	R/W	R/W
POR	0	0	0	0	0	0	0	0

- Bit 7~6 **PCS07~PCS06**: PC3 Pin-Shared function selection
 00/01/10: PC3
 11: AN11
- Bit 5~4 **PCS05~PCS04**: PC2 Pin-Shared function selection
 00/01/10: PC2
 11: AN10
- Bit 3~2 **PCS03~PCS02**: PC1 Pin-Shared function selection
 00/01/10: PC1
 11: AN9
- Bit 1~0 **PCS01~PCS00**: PC0 Pin-Shared function selection
 00/01/10: PC0
 11: AN8

• **PCS1 Register – HT66FB572**

Bit	7	6	5	4	3	2	1	0
Name	—	—	—	—	PCS13	PCS12	PCS11	PCS10
R/W	—	—	—	—	R/W	R/W	R/W	R/W
POR	—	—	—	—	0	0	0	0

- Bit 7~4 Unimplemented, read as “0”
- Bit 3~2 **PCS13~PCS12**: PC5 Pin-Shared function selection
00/01: PC5
10: RX
11: AN6
- Bit 1~0 **PCS11~PCS10**: PC4 Pin-Shared function selection
00/01: PC4
10: TX
11: AN5

• **PCS1 Register – HT66FB574**

Bit	7	6	5	4	3	2	1	0
Name	—	—	PCS15	PCS14	PCS13	PCS12	PCS11	PCS10
R/W	—	—	R/W	R/W	R/W	R/W	R/W	R/W
POR	—	—	0	0	0	0	0	0

- Bit 7~6 Unimplemented, read as “0”
- Bit 5~4 **PCS15~PCS14**: PC6 Pin-Shared function selection
00/01/10: PC6
11: AN8
- Bit 3~2 **PCS13~PCS12**: PC5 Pin-Shared function selection
00/01: PC5
10: RX
11: AN7
- Bit 1~0 **PCS11~PCS10**: PC4 Pin-Shared function selection
00/01: PC4
10: TX
11: AN6

• **PCS1 Register – HT66FB576**

Bit	7	6	5	4	3	2	1	0
Name	PCS17	PCS16	PCS15	PCS14	PCS13	PCS12	PCS11	PCS10
R/W	R/W	R/W	R/W	R/W	R/W	R/W	R/W	R/W
POR	0	0	0	0	0	0	0	0

- Bit 7~6 **PCS17~PCS16**: PC7 Pin-Shared function selection
00/01/10: PC7
11: AN15
- Bit 5~4 **PCS15~PCS14**: PC6 Pin-Shared function selection
00/01/10: PC6
11: AN14
- Bit 3~2 **PCS13~PCS12**: PC5 Pin-Shared function selection
00/01: PC5
10: RX
11: AN13
- Bit 1~0 **PCS11~PCS10**: PC4 Pin-Shared function selection
00/01: PC4
10: TX
11: AN12

• PDS0 Register – HT66FB572/HT66FB576

Bit	7	6	5	4	3	2	1	0
Name	—	—	—	—	PDS03	PDS02	PDS01	PDS00
R/W	—	—	—	—	R/W	R/W	R/W	R/W
POR	—	—	—	—	0	0	0	0

- Bit 7~4 Unimplemented, read as “0”
- Bit 3~2 **PDS03~PDS02**: PD1 Pin-Shared function selection
 00/01: PD1/PTP1I
 10: PTP1
 11: OSC2
- Bit 1~0 **PDS01~PDS00**: PD0 Pin-Shared function selection
 00/01: PD0/PTP2I
 10: PTP2
 11: OSC1

• PDS0 Register – HT66FB574

Bit	7	6	5	4	3	2	1	0
Name	PDS07	PDS06	—	—	PDS03	PDS02	PDS01	PDS00
R/W	R/W	R/W	—	—	R/W	R/W	R/W	R/W
POR	0	0	—	—	0	0	0	0

- Bit 7~6 **PDS07~PDS06**: PD3 Pin-Shared function selection
 00/01/10: PD3
 11: AN9
- Bit 5~4 Unimplemented, read as “0”
- Bit 3~2 **PDS03~PDS02**: PD1 Pin-Shared function selection
 00/01: PD1/PTP1I
 10: PTP1
 11: OSC2
- Bit 1~0 **PDS01~PDS00**: PD0 Pin-Shared function selection
 00/01: PD0/PTP2I
 10: PTP2
 11: OSC1

• PDS1 Register – HT66FB572/HT66FB576

Bit	7	6	5	4	3	2	1	0
Name	PDS17	PDS16	PDS15	PDS14	PDS13	PDS12	—	—
R/W	R/W	R/W	R/W	R/W	R/W	R/W	—	—
POR	0	0	0	0	0	0	—	—

- Bit 7~6 **PDS17~PDS16**: PD7 Pin-Shared function selection
 00/01/10: PD7/PTP1I
 11: PTP1
- Bit 5~4 **PDS15~PDS14**: PD6 Pin-Shared function selection
 00/01/10: PD6/PTP2I
 11: PTP2
- Bit 3~2 **PDS13~PDS12**: PD5 Pin-Shared function selection
 00/01/10: PD5/PTP0I
 11: PTP0
- Bit 1~0 Unimplemented, read as “0”

• **PDS1 Register – HT66FB574**

Bit	7	6	5	4	3	2	1	0
Name	PDS17	PDS16	PDS15	PDS14	PDS13	PDS12	PDS11	PDS10
R/W	R/W	R/W	R/W	R/W	R/W	R/W	R/W	R/W
POR	0	0	0	0	0	0	0	0

- Bit 7~6 **PDS17~PDS16:** PD7 Pin-Shared function selection
00/01/10: PD7/PTP1I
11: PTP1
- Bit 5~4 **PDS15~PDS14:** PD6 Pin-Shared function selection
00/01/10: PD6/PTP2I
11: PTP2
- Bit 3~2 **PDS13~PDS12:** PD5 Pin-Shared function selection
00/01/10: PD5/PTP0I
11: PTP0
- Bit 1~0 **PDS11~PDS10:** PD4 Pin-Shared function selection
00/01/10: PD4
11: AN10

• **PES0 Register**

Bit	7	6	5	4	3	2	1	0
Name	PES07	PES06	PES05	PES04	—	—	PES01	PES00
R/W	R/W	R/W	R/W	R/W	—	—	R/W	R/W
POR	0	0	0	0	—	—	0	0

- Bit 7~6 **PES07~PES06:** PE3 Pin-Shared function selection
00/01/10: PE3
11: VR
- Bit 5~4 **PES05~PES04:** PE2 Pin-Shared function selection
00/01/10: PE2
11: VREFI
- Bit 3~2 Unimplemented, read as “0”
- Bit 1~0 **PES01~PES00:** PE0 Pin-Shared function selection
00/01: PE0
10: VDDIO
11: VREF

• **PGS0 Register – HT66FB572**

Bit	7	6	5	4	3	2	1	0
Name	PGS07	PGS06	PGS05	PGS04	PGS03	PGS02	PGS01	PGS00
R/W	R/W	R/W	R/W	R/W	R/W	R/W	R/W	R/W
POR	0	0	0	0	0	0	0	0

- Bit 7~6 **PGS07~PGS06:** PG3 Pin-Shared function selection
00/01/10: PG3
11: COM3
- Bit 5~4 **PGS05~PGS04:** PG2 Pin-Shared function selection
00/01/10: PG2
11: COM2
- Bit 3~2 **PGS03~PGS02:** PG1 Pin-Shared function selection
00/01/10: PG1
11: COM1

Bit 1~0 **PGS01~PGS00**: PG0 Pin-Shared function selection
 00/01: PG0
 10 : AN7
 11: COM0

• **PGS0 Register – HT66FB574**

Bit	7	6	5	4	3	2	1	0
Name	PGS07	PGS06	PGS05	PGS04	PGS03	PGS02	PGS01	PGS00
R/W	R/W	R/W	R/W	R/W	R/W	R/W	R/W	R/W
POR	0	0	0	0	0	0	0	0

Bit 7~6 **PGS07~PGS06**: PG3 Pin-Shared function selection
 00/01/10: PG3
 11: COM3

Bit 5~4 **PGS05~PGS04**: PG2 Pin-Shared function selection
 00/01/10: PG2
 11: COM2

Bit 3~2 **PGS03~PGS02**: PG1 Pin-Shared function selection
 00/01/10: PG1
 11: COM1

Bit 1~0 **PGS01~PGS00**: PG0 Pin-Shared function selection
 00/01: PG0
 10 : AN11
 11: COM0

• **PGS0 Register –HT66FB576**

Bit	7	6	5	4	3	2	1	0
Name	PGS07	PGS06	PGS05	PGS04	PGS03	PGS02	PGS01	PGS00
R/W	R/W	R/W	R/W	R/W	R/W	R/W	R/W	R/W
POR	0	0	0	0	0	0	0	0

Bit 7~6 **PGS07~PGS06**: PG3 Pin-Shared function selection
 00/01/10: PG3
 11: COM3

Bit 5~4 **PGS05~PGS04**: PG2 Pin-Shared function selection
 00/01/10: PG2
 11: COM2

Bit 3~2 **PGS03~PGS02**: PG1 Pin-Shared function selection
 00/01/10: PG1
 11: COM1

Bit 1~0 **PGS01~PGS00**: PG0 Pin-Shared function selection
 00/01/10: PG0
 11: COM0

• **PGS1 Register**

Bit	7	6	5	4	3	2	1	0
Name	PGS17	PGS16	PGS15	PGS14	PGS13	PGS12	PGS11	PGS10
R/W	R/W	R/W	R/W	R/W	R/W	R/W	R/W	R/W
POR	0	0	0	0	0	0	0	0

- Bit 7~6 **PGS17~PGS16:** PG7 Pin-Shared function selection
00/01/10: PG7
11: COM7
- Bit 5~4 **PGS15~PGS14:** PG6 Pin-Shared function selection
00/01/10: PG6
11: COM6
- Bit 3~2 **PGS13~PGS12:** PG5 Pin-Shared function selection
00/01/10: PG5
11: COM5
- Bit 1~0 **PGS11~PGS10:** PG4 Pin-Shared function selection
00/01/10: PG4
11: COM4

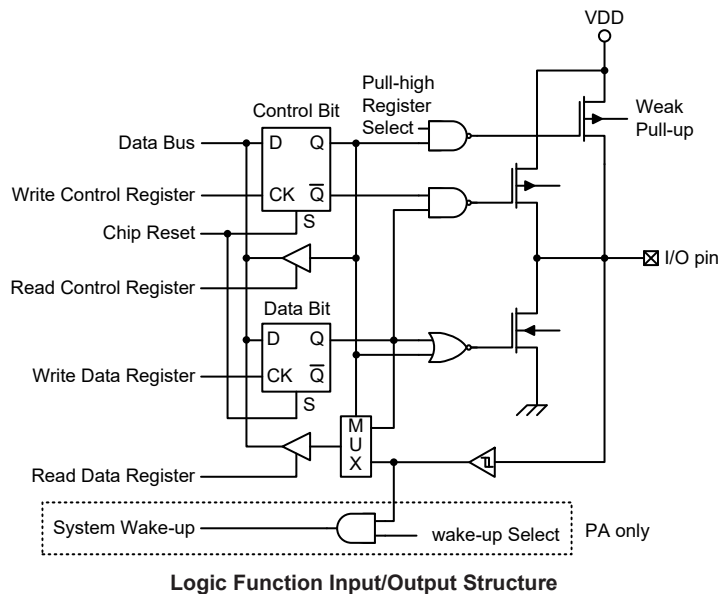
• **IFS Register**

Bit	7	6	5	4	3	2	1	0
Name	—	—	—	—	PTP2IPS	PTP1IPS	PTP0IPS	STPIPS
R/W	—	—	—	—	R/W	R/W	R/W	R/W
POR	—	—	—	—	0	0	0	0

- Bit 7~4 Unimplemented, read as “0”
- Bit 3 **PTP2IPS:** PTP2I input source pin selection
0: PD6
1: PD0
- Bit 2 **PTP1IPS:** PTP1I input source pin selection
0: PD7
1: PD1
- Bit 1 **PTP0IPS:** PTP0I input source pin selection
0: PA5
1: PD5
- Bit 0 **STPIPS:** STPI input source pin selection
0: PA4
1: PB4

I/O Pin Structures

The accompanying diagram illustrates the internal structure of the I/O logic function. As the exact logical construction of the I/O pin will differ from this drawing, it is supplied as a guide only to assist with the functional understanding of the logic function I/O pins. The wide range of pin-shared structures does not permit all types to be shown.



Programming Considerations

Within the user program, one of the first things to consider is port initialisation. After a reset, all of the I/O data and port control registers will be set high. This means that all I/O pins will default to an input state, the level of which depends on the other connected circuitry and whether pull-high selections have been chosen. If the port control registers are then programmed to setup some pins as outputs, these output pins will have an initial high output value unless the associated port data registers are first programmed. Selecting which pins are inputs and which are outputs can be achieved byte-wide by loading the correct values into the appropriate port control register or by programming individual bits in the port control register using the "SET [m].i" and "CLR [m].i" instructions. Note that when using these bit control instructions, a read-modify-write operation takes place. The microcontroller must first read in the data on the entire port, modify it to the required new bit values and then rewrite this data back to the output ports.

All Ports have the additional capability of providing wake-up function. When the devices are in the SLEEP or IDLE Mode, various methods are available to wake the devices up. One of these is any edge transitions on the PA pins or a high to low transition on the PB~PG pins. Single or multiple pins on Ports can be setup to have this function.

Timer Modules – TM

One of the most fundamental functions in any microcontroller devices is the ability to control and measure time. To implement time related functions the devices include several Timer Modules, abbreviated to the name TM. The TMs are multi-purpose timing units and serve to provide operations such as Timer/Counter, Input Capture, Compare Match Output and Single Pulse Output as well as being the functional unit for the generation of PWM signals. Each of the TMs has two individual interrupts. The addition of input and output pins for each TM ensures that users are provided with timing units with a wide and flexible range of features.

The common features of the different TM types are described here with more detailed information provided in the individual Standard and Periodic TM sections.

Introduction

The devices contain four TMs and each individual TM can be categorised as a certain type, namely Standard Type TM or Periodic Type TM. Although similar in nature, the different TM types vary in their feature complexity. The common features to all of the Standard and Periodic TMs will be described in this section. The detailed operation regarding each of the TM types will be described in separate sections. The main features and differences between the two types of TMs are summarised in the accompanying table.

Function	STM	PTM
Timer/Counter	√	√
Input Capture	√	√
Compare Match Output	√	√
PWM Channels	1	1
Single Pulse Output	1	1
PWM Alignment	Edge	Edge
PWM Adjustment Period & Duty	Duty or Period	Duty or Period

TM Function Summary

TM Operation

The different types of TM offer a diverse range of functions, from simple timing operations to PWM signal generation. The key to understanding how the TM operates is to see it in terms of a free running counter whose value is then compared with the value of pre-programmed internal comparators. When the free running counter has the same value as the pre-programmed comparator, known as a compare match situation, a TM interrupt signal will be generated which can clear the counter and perhaps also change the condition of the TM output pin. The internal TM counter is driven by a user selectable clock source, which can be an internal clock or an external pin.

TM Clock Source

The clock source which drives the main counter in each TM can originate from various sources. The selection of the required clock source is implemented using the xTnCK2~xTnCK0 bits in the xTM control registers, where “x” stands for S or P type TM and “n” stands for the specific TM serial number. For STM there is no serial number “n” in the relevant pin or control bits since there is only one STM in the devices. The clock source can be a ratio of the system clock f_{SYS} or the internal high clock f_H , the f_{SUB} clock source or the external xTCKn pin. The xTCKn pin clock source is used to allow an external signal to drive the TM as an external clock source or for event counting.

TM Interrupts

The Standard and Periodic type TMs each have two internal interrupts, one for each of the internal comparator A or comparator P, which generate a TM interrupt when a compare match condition occurs. When a TM interrupt is generated it can be used to clear the counter and also to change the state of the TM output pin.

TM External Pins

Each of the TMs, irrespective of what type, has two TM input pins, with the label xTCKn and xTPnI respectively. The xTMn input pin, xTCKn, is essentially a clock source for the xTMn and is selected using the xTnCK2~xTnCK0 bits in the xTMnC0 register. This external TM input pin allows an external clock source to drive the internal TM. The xTCKn input pin can be chosen to have either a rising or falling active edge. The xTCKn pin is also used as the external trigger input pin in single pulse output mode.

The other xTMn input pin, xTPnI, is the capture input whose active edge can be a rising edge, a falling edge or both rising and falling edges and the active edge transition type is selected using the xTnIO1~xTnIO0 bits in the xTMnC1 register. There is another capture input, PTCKn, for PTMn capture input mode, which can be used as the external trigger input source except the PTPnI pin.

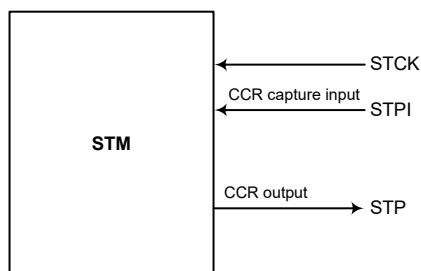
The TMs each have one output pin with the label xTPn. The TM output pins can be selected using the corresponding pin-shared function selection bits described in the Pin-shared Function section. When the TM is in the Compare Match Output Mode, these pins can be controlled by the TM to switch to a high or low level or to toggle when a compare match situation occurs. The external xTPn output pin is also the pin where the TM generates the PWM output waveform. As the TM output pins are pin-shared with other functions, the TM output function must first be setup using relevant pin-shared function selection register.

Device	STM		PTM	
	Input	Output	Input	Output
HT66FB572	STCK, STPI	STP	PTCK0, PTP0I	PTP0
HT66FB574			PTCK1, PTP1I	PTP1
HT66FB576			PTCK2, PTP2I	PTP2

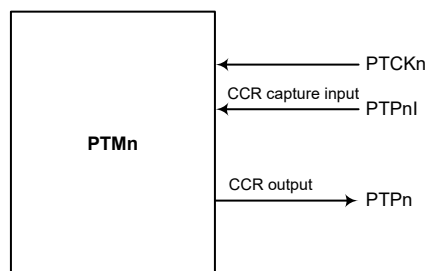
TM External Pins

TM Input/Output Pin Selection

Selecting to have a TM input/output or whether to retain its other shared function is implemented using the relevant pin-shared function selection registers, with the corresponding selection bits in each pin-shared function register corresponding to a TM input/output pin. Configuring the selection bits correctly will setup the corresponding pin as a TM input/output. The details of the pin-shared function selection are described in the pin-shared function section.



STM Function Pin Control Block Diagram

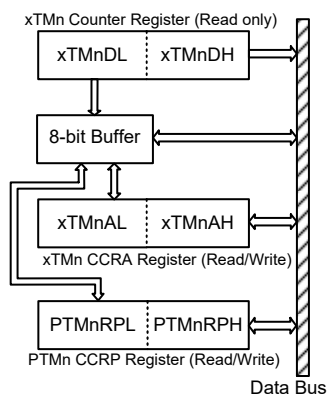


PTM Function Pin Control Block Diagram (n=0~2)

Programming Considerations

The TM Counter Registers and the Capture/Compare CCRA and CCRP registers, all have a low and high byte structure. The high bytes can be directly accessed, but as the low bytes can only be accessed via an internal 8-bit buffer, reading or writing to these register pairs must be carried out in a specific way. The important point to note is that data transfer to and from the 8-bit buffer and its related low byte only takes place when a write or read operation to its corresponding high byte is executed.

As the CCRA and CCRP registers are implemented in the way shown in the following diagram and accessing these register pairs is carried out in a specific way as described above, it is recommended to use the "MOV" instruction to access the CCRA and CCRP low byte registers, named xTMnAL and PTMnRPL, using the following access procedures. Accessing the CCRA or CCRP low byte registers without following these access procedures will result in unpredictable values.



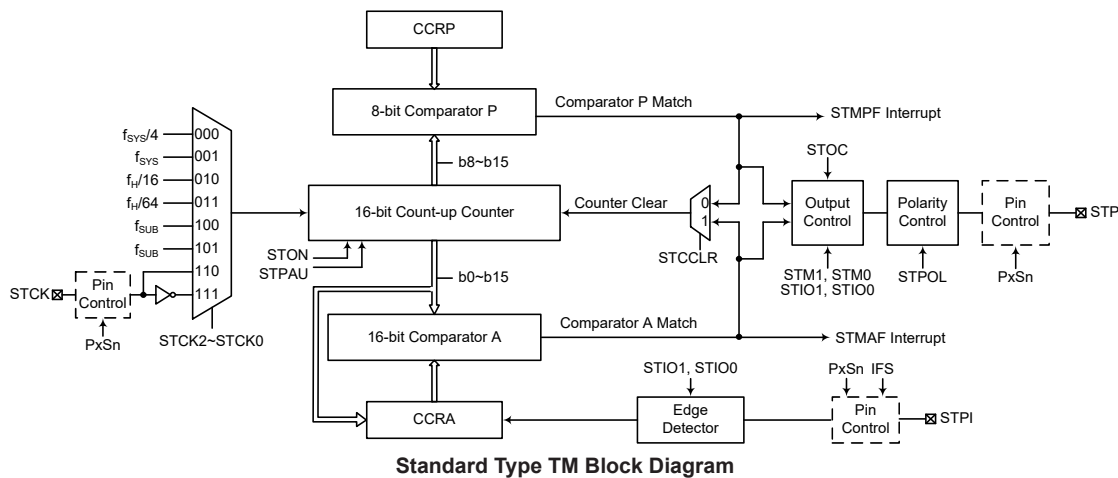
The following steps show the read and write procedures:

- Writing Data to CCRA
 - ♦ Step 1. Write data to Low Byte xTMnAL or PTMnRPL
 - Note that here data is only written to the 8-bit buffer.
 - ♦ Step 2. Write data to High Byte xTMnAH or PTMnRPH
 - Here data is written directly to the high byte registers and simultaneously data is latched from the 8-bit buffer to the Low Byte registers.
- Reading Data from the Counter Registers and or CCRA
 - ♦ Step 1. Read data from the High Byte xTMnDH, xTMnAH or PTMnRPH
 - Here data is read directly from the High Byte registers and simultaneously data is latched from the Low Byte register into the 8-bit buffer.
 - ♦ Step 2. Read data from the Low Byte xTMnDL, xTMnAL or PTMnRPL
 - This step reads data from the 8-bit buffer.

Standard Type TM – STM

The Standard Type TM contains five operating modes, which are Compare Match Output, Timer/Event Counter, Capture Input, Single Pulse Output and PWM Output modes. The Standard TM can also be controlled with two external input pins and can drive an external output pin.

Device	CTM Core	CTM Input Pin	CTM Output Pin
HT66FB572 HT66FB574 HT66FB576	16-bit CTM	STCK, STPI	STP



Standard Type TM Block Diagram

Standard TM Operation

The size of Standard TM is 16-bit wide and its core is a 16-bit count-up counter which is driven by a user selectable internal or external clock source. There are also two internal comparators with the names, Comparator A and Comparator P. These comparators will compare the value in the counter with CCRP and CCRA registers. The CCRP comparator is 8-bit wide whose value is compared with the highest 8 bits in the counter while the CCRA is the sixteen bits and therefore compares all counter bits.

The only way of changing the value of the 16-bit counter using the application program, is to clear the counter by changing the STON bit from low to high. The counter will also be cleared automatically by a counter overflow or a compare match with one of its associated comparators. When these conditions occur, a STM interrupt signal will also usually be generated. The Standard Type TM can operate in a number of different operational modes, can be driven by different clock sources including an input pin and can also control an output pin. All operating setup conditions are selected using relevant internal registers.

Standard Type TM Register Description

Overall operation of the Standard TM is controlled using a series of registers. A read only register pair exists to store the internal counter 16-bit value, while a read/write register pair exists to store the internal 16-bit CCRA value. The STMRP register is used to store the 8-bit CCRP value. The remaining two registers are control registers which setup the different operating and control modes.

Register Name	Bit							
	7	6	5	4	3	2	1	0
STMC0	STPAU	STCK2	STCK1	STCK0	STON	—	—	—
STMC1	STM1	STM0	STIO1	STIO0	STOC	STPOL	STDPX	STCCLR
STMDL	D7	D6	D5	D4	D3	D2	D1	D0
STMDH	D15	D14	D13	D12	D11	D10	D9	D8
STMAL	D7	D6	D5	D4	D3	D2	D1	D0
STMAH	D15	D14	D13	D12	D11	D10	D9	D8
STMRP	D7	D6	D5	D4	D3	D2	D1	D0

16-bit Standard TM Registers List

• **STMC0 Register**

Bit	7	6	5	4	3	2	1	0
Name	STPAU	STCK2	STCK1	STCK0	STON	—	—	—
R/W	R/W	R/W	R/W	R/W	R/W	—	—	—
POR	0	0	0	0	0	—	—	—

- Bit 7 STPAU:** STM Counter Pause control
 0: Run
 1: Pause
 The counter can be paused by setting this bit high. Clearing the bit to zero restores normal counter operation. When in a Pause condition the STM will remain powered up and continue to consume power. The counter will retain its residual value when this bit changes from low to high and resume counting from this value when the bit changes to a low value again.
- Bit 6~4 STCK2~STCK0:** Select STM Counter clock
 000: $f_{SYS}/4$
 001: f_{SYS}
 010: $f_H/16$
 011: $f_H/64$
 100: f_{SUB}
 101: f_{SUB}
 110: STCK rising edge clock
 111: STCK falling edge clock
 These three bits are used to select the clock source for the STM. The external pin clock source can be chosen to be active on the rising or falling edge. The clock source f_{SYS} is the system clock, while f_H and f_{SUB} are other internal clocks, the details of which can be found in the oscillator section.
- Bit 3 STON:** STM Counter On/Off control
 0: Off
 1: On
 This bit controls the overall on/off function of the STM. Setting the bit high enables the counter to run while clearing the bit disables the STM. Clearing this bit to zero will stop the counter from counting and turn off the STM which will reduce its power consumption. When the bit changes state from low to high the internal counter value will be reset to zero, however when the bit changes from high to low, the internal counter will retain its residual value until the bit returns high again. If the STM is in the Compare Match Output Mode, PWM Output Mode or Single Pulse Output Mode then the STM output pin will be reset to its initial condition, as specified by the STOC bit, when the STON bit changes from low to high.
- Bit 2~0** Unimplemented, read as “0”

• STMC1 Register

Bit	7	6	5	4	3	2	1	0
Name	STM1	STM0	STIO1	STIO0	STOC	STPOL	STDPX	STCCLR
R/W	R/W	R/W	R/W	R/W	R/W	R/W	R/W	R/W
POR	0	0	0	0	0	0	0	0

Bit 7~6 **STM1~STM0**: Select STM Operating Mode

- 00: Compare Match Output Mode
- 01: Capture Input Mode
- 10: PWM Output Mode or Single Pulse Output Mode
- 11: Timer/Counter Mode

These bits setup the required operating mode for the STM. To ensure reliable operation the STM should be switched off before any changes are made to the STM1 and STM0 bits. In the Timer/Counter Mode, the STM output pin control will be disabled.

Bit 5~4 **STIO1~STIO0**: Select STM external pin (STP or STPI) function

Compare Match Output Mode

- 00: No change
- 01: Output low
- 10: Output high
- 11: Toggle output

PWM Output Mode/Single Pulse Output Mode

- 00: PWM output inactive state
- 01: PWM output active state
- 10: PWM output
- 11: Single Pulse Output

Capture Input Mode

- 00: Input capture at rising edge of STPI
- 01: Input capture at falling edge of STPI
- 10: Input capture at rising/falling edge of STPI
- 11: Input capture disabled

Timer/Counter Mode

Unused

These two bits are used to determine how the STM output pin changes state when a certain condition is reached. The function that these bits select depends upon in which mode the STM is running.

In the Compare Match Output Mode, the STIO1 and STIO0 bits determine how the STM output pin changes state when a compare match occurs from the Comparator A. The TM output pin can be setup to switch high, switch low or to toggle its present state when a compare match occurs from the Comparator A. When the bits are both zero, then no change will take place on the output. The initial value of the STM output pin should be setup using the STOC bit in the STMC1 register. Note that the output level requested by the STIO1 and STIO0 bits must be different from the initial value setup using the STOC bit otherwise no change will occur on the STM output pin when a compare match occurs. After the STM output pin changes state, it can be reset to its initial level by changing the level of the STON bit from low to high.

In the PWM Output Mode, the STIO1 and STIO0 bits determine how the STM output pin changes state when a certain compare match condition occurs. The PWM output function is modified by changing these two bits. It is necessary to only change the values of the STIO1 and STIO0 bits only after the STM has been switched off. Unpredictable PWM outputs will occur if the STIO1 and STIO0 bits are changed when the STM is running.

Bit 3 **STOC**: STM STP Output control

Compare Match Output Mode

- 0: Initial low
- 1: Initial high

PWM Output Mode/Single Pulse Output Mode

- 0: Active low
- 1: Active high

This is the output control bit for the STM output pin. Its operation depends upon whether STM is being used in the Compare Match Output Mode or in the PWM Output Mode/Single Pulse Output Mode. It has no effect if the STM is in the Timer/Counter Mode. In the Compare Match Output Mode it determines the logic level of the STM output pin before a compare match occurs. In the PWM Output Mode it determines if the PWM signal is active high or active low. In the Single Pulse Output Mode it determines the logic level of the STM output pin when the STON bit changes from low to high.

Bit 2 **STPOL**: STM STP Output polarity control

- 0: Non-inverted
- 1: Inverted

This bit controls the polarity of the STP output pin. When the bit is set high the STM output pin will be inverted and not inverted when the bit is zero. It has no effect if the STM is in the Timer/Counter Mode.

Bit 1 **STDPX**: STM PWM duty/period control

- 0: CCRP – period; CCRA – duty
- 1: CCRP – duty; CCRA – period

This bit determines which of the CCRA and CCRP registers are used for period and duty control of the PWM waveform.

Bit 0 **STCCLR**: STM Counter Clear condition selection

- 0: Comparator P match
- 1: Comparator A match

This bit is used to select the method which clears the counter. Remember that the Standard TM contains two comparators, Comparator A and Comparator P, either of which can be selected to clear the internal counter. With the STCCLR bit set high, the counter will be cleared when a compare match occurs from the Comparator A. When the bit is low, the counter will be cleared when a compare match occurs from the Comparator P or with a counter overflow. A counter overflow clearing method can only be implemented if the CCRP bits are all cleared to zero. The STCCLR bit is not used in the PWM Output, Single Pulse Output or Capture Input Mode.

• **STMDL Register**

Bit	7	6	5	4	3	2	1	0
Name	D7	D6	D5	D4	D3	D2	D1	D0
R/W	R	R	R	R	R	R	R	R
POR	0	0	0	0	0	0	0	0

Bit 7~0 **D7~D0**: STM Counter Low Byte Register bit 7 ~ bit 0
STM 16-bit Counter bit 7 ~ bit 0

• **STMDH Register**

Bit	7	6	5	4	3	2	1	0
Name	D15	D14	D13	D12	D11	D10	D9	D8
R/W	R	R	R	R	R	R	R	R
POR	0	0	0	0	0	0	0	0

Bit 7~0 **D15~D8**: STM Counter High Byte Register bit 7 ~ bit 0
STM 16-bit Counter bit 15 ~ bit 8

- **STMAL Register**

Bit	7	6	5	4	3	2	1	0
Name	D7	D6	D5	D4	D3	D2	D1	D0
R/W	R/W	R/W	R/W	R/W	R/W	R/W	R/W	R/W
POR	0	0	0	0	0	0	0	0

Bit 7~0 **D7~D0:** STM CCRA Low Byte Register bit 7 ~ bit 0
 STM 16-bit CCRA bit 7 ~ bit 0

- **STMAH Register**

Bit	7	6	5	4	3	2	1	0
Name	D15	D14	D13	D12	D11	D10	D9	D8
R/W	R/W	R/W	R/W	R/W	R/W	R/W	R/W	R/W
POR	0	0	0	0	0	0	0	0

Bit 7~0 **D15~D8:** STM CCRA High Byte Register bit 7 ~ bit 0
 STM 16-bit CCRA bit 15 ~ bit 8

- **STMRP Register**

Bit	7	6	5	4	3	2	1	0
Name	D7	D6	D5	D4	D3	D2	D1	D0
R/W	R/W	R/W	R/W	R/W	R/W	R/W	R/W	R/W
POR	0	0	0	0	0	0	0	0

Bit 7~0 **D7~D0:** STM CCRP 8-bit register, compared with the STM counter bit 15~bit 8
 Comparator P Match Period =
 0: 65536 STM clocks
 1~255: (1~255) × 256 STM clocks

These eight bits are used to setup the value on the internal CCRP 8-bit register, which are then compared with the internal counter's highest eight bits. The result of this comparison can be selected to clear the internal counter if the STCCLR bit is set to zero. Setting the STCCLR bit to zero ensures that a compare match with the CCRP values will reset the internal counter. As the CCRP bits are only compared with the highest eight counter bits, the compare values exist in 256 clock cycle multiples. Clearing all eight bits to zero is in effect allowing the counter to overflow at its maximum value.

Standard Type TM Operation Modes

The Standard Type TM can operate in one of five operating modes, Compare Match Output Mode, PWM Output Mode, Single Pulse Output Mode, Capture Input Mode or Timer/Counter Mode. The operating mode is selected using the STM1 and STM0 bits in the STMC1 register.

Compare Match Output Mode

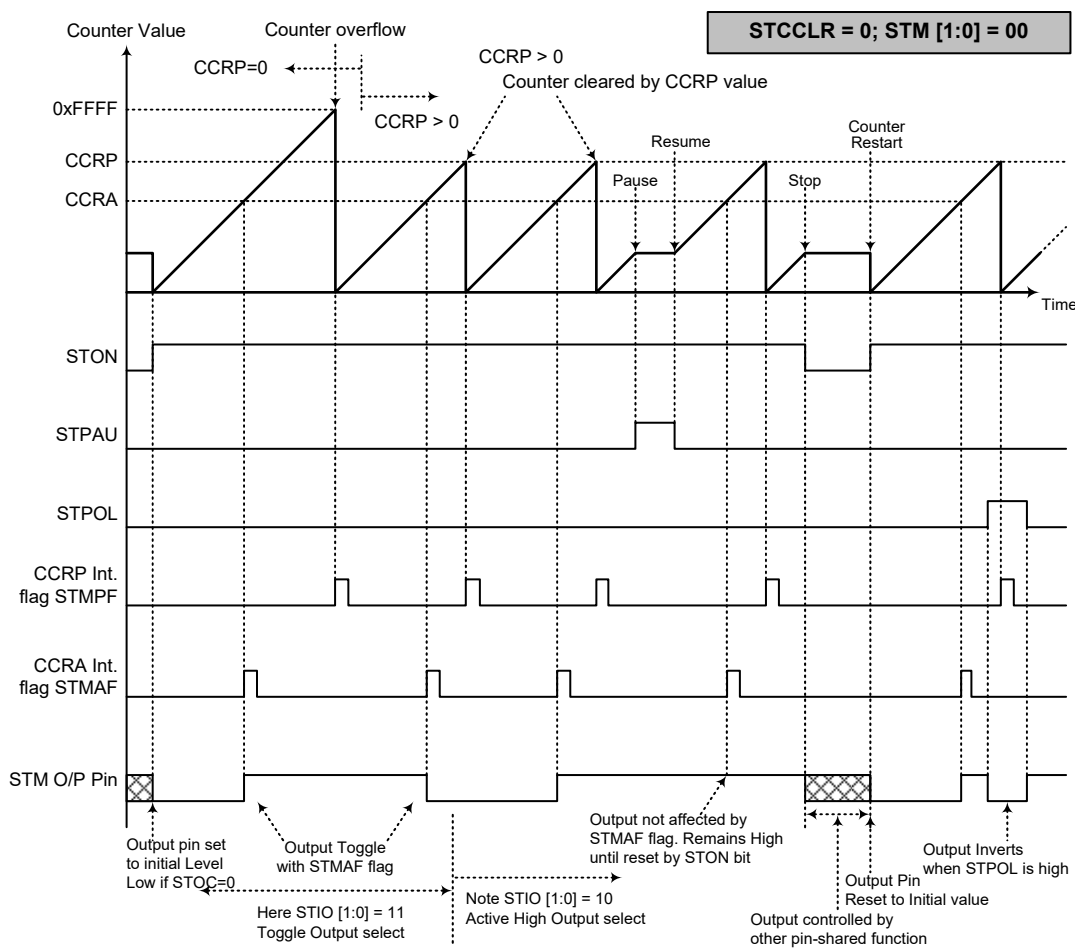
To select this mode, bits STM1 and STM0 in the STMC1 register, should be set to 00 respectively. In this mode once the counter is enabled and running it can be cleared by three methods. These are a counter overflow, a compare match from Comparator A and a compare match from Comparator P. When the STCCLR bit is low, there are two ways in which the counter can be cleared. One is when a compare match from Comparator P, the other is when the CCRP bits are all zero which allows the counter to overflow. Here both STMAF and STMPF interrupt request flags for Comparator A and Comparator P respectively, will both be generated.

If the STCCLR bit in the STMC1 register is high then the counter will be cleared when a compare match occurs from Comparator A. However, here only the STMAF interrupt request flag will be generated even if the value of the CCRP bits is less than that of the CCRA registers. Therefore when

STCCLR is high no STMPF interrupt request flag will be generated. In the Compare Match Output Mode, the CCRA cannot be set to "0".

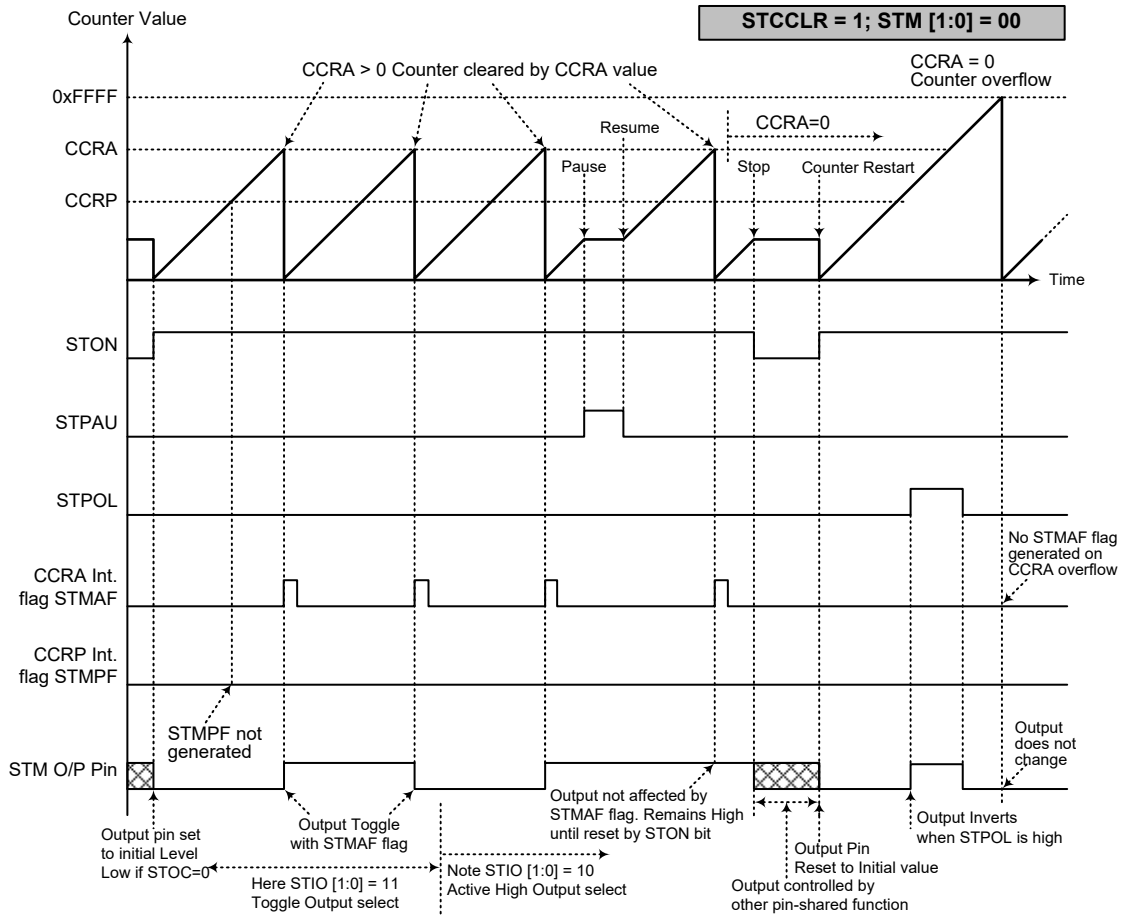
If the CCRA bits are all zero, the counter will overflow when it reaches its maximum 16-bit, FFFF Hex, value, however here the STMAF interrupt request flag will not be generated.

As the name of the mode suggests, after a comparison is made, the STM output pin, will change state. The STM output pin condition however only changes state when a STMAF interrupt request flag is generated after a compare match occurs from Comparator A. The STMPF interrupt request flag, generated from a compare match occurs from Comparator P, will have no effect on the STM output pin. The way in which the STM output pin changes state are determined by the condition of the STIO1 and STIO0 bits in the STMC1 register. The STM output pin can be selected using the STIO1 and STIO0 bits to go high, to go low or to toggle from its present condition when a compare match occurs from Comparator A. The initial condition of the STM output pin, which is setup after the STON bit changes from low to high, is setup using the STOC bit. Note that if the STIO1 and STIO0 bits are zero then no pin change will take place.



Compare Match Output Mode – STCCLR=0

- Note: 1. With STCCLR=0 a Comparator P match will clear the counter
 2. The STM output pin is controlled only by the STMAF flag
 3. The output pin is reset to its initial state by a STON bit rising edge



Compare Match Output Mode – STCCLR=1

- Note: 1. With STCCLR=1 a Comparator A match will clear the counter
 2. The STM output pin is controlled only by the STMAF flag
 3. The output pin is reset to its initial state by a STON bit rising edge
 4. A STMPF flag is not generated when STCCLR=1

Timer/Counter Mode

To select this mode, bits STM1 and STM0 in the STMC1 register should be set to 11 respectively. The Timer/Counter Mode operates in an identical way to the Compare Match Output Mode generating the same interrupt flags. The exception is that in the Timer/Counter Mode the STM output pin is not used. Therefore the above description and Timing Diagrams for the Compare Match Output Mode can be used to understand its function. As the STM output pin is not used in this mode, the pin can be used as a normal I/O pin or other pin-shared function.

PWM Output Mode

To select this mode, bits STM1 and STM0 in the STMC1 register should be set to 10 respectively and also the STIO1 and STIO0 bits should be set to 10 respectively. The PWM function within the STM is useful for applications which require functions such as motor control, heating control, illumination control etc. By providing a signal of fixed frequency but of varying duty cycle on the STM output pin, a square wave AC waveform can be generated with varying equivalent DC RMS values.

As both the period and duty cycle of the PWM waveform can be controlled, the choice of generated waveform is extremely flexible. In the PWM Output Mode, the STCCLR bit has no effect as the PWM period. Both of the CCRA and CCRP registers are used to generate the PWM waveform, one register is used to clear the internal counter and thus control the PWM waveform frequency, while the other one is used to control the duty cycle. Which register is used to control either frequency or duty cycle is determined using the STDPX bit in the STMC1 register. The PWM waveform frequency and duty cycle can therefore be controlled by the values in the CCRA and CCRP registers. An interrupt flag, one for each of the CCRA and CCRP, will be generated when a compare match occurs from either Comparator A or Comparator P. The STOC bit in the STMC1 register is used to select the required polarity of the PWM waveform while the two STIO1 and STIO0 bits are used to enable the PWM output or to force the STM output pin to a fixed high or low level. The STPOL bit is used to reverse the polarity of the PWM output waveform.

16-bit STM, PWM Output Mode, Edge-aligned Mode, STDPX=0

CCRP	1~255	0
Period	CCRP×256	65536
Duty	CCRA	

If $f_{SYS} = 12\text{MHz}$, STM clock source is $f_{SYS}/4$, CCRP=2 and CCRA=128,

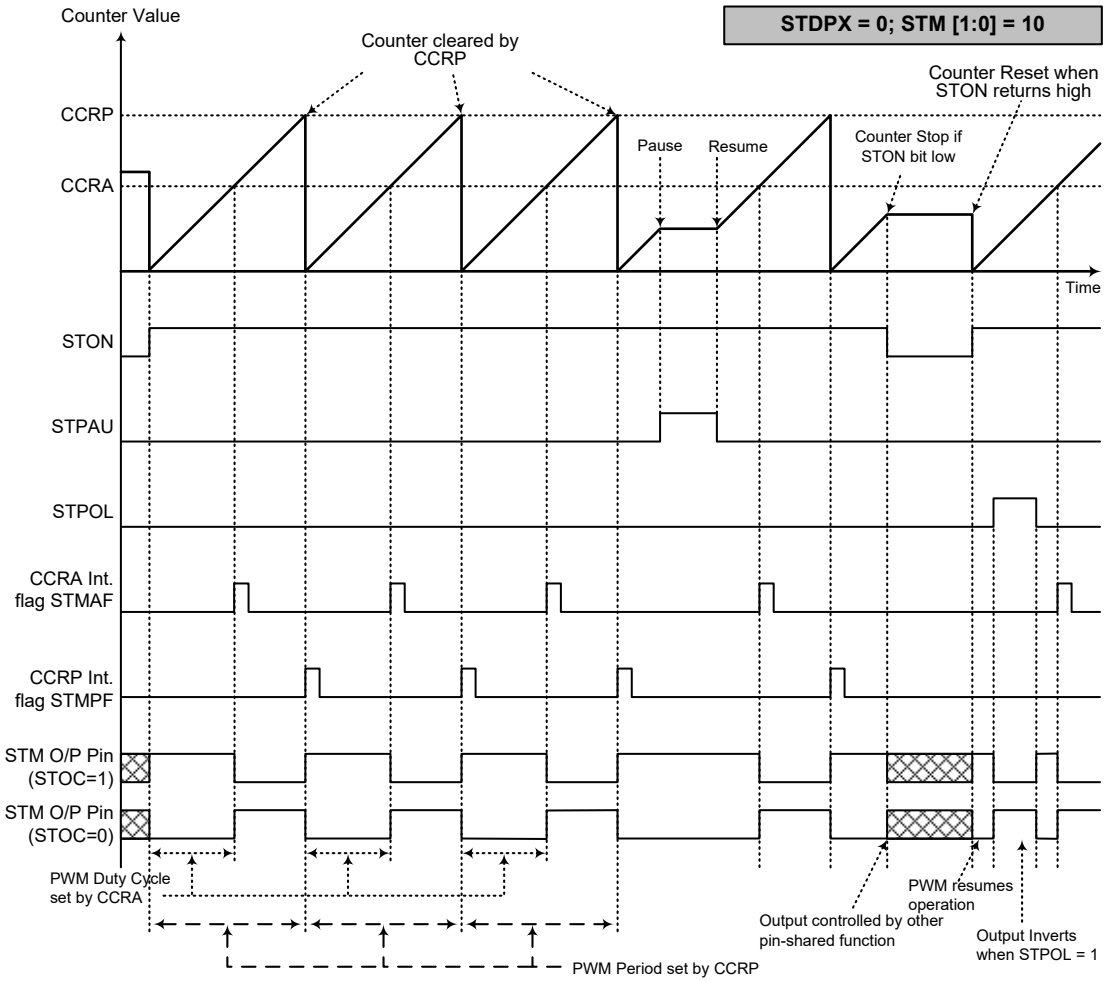
The STM PWM output frequency= $(f_{SYS}/4)/(2 \times 256) = f_{SYS}/2048 = 5.859\text{kHz}$, duty= $128/(2 \times 256) = 25\%$.

If the Duty value defined by the CCRA register is equal to or greater than the Period value, then the PWM output duty is 100%.

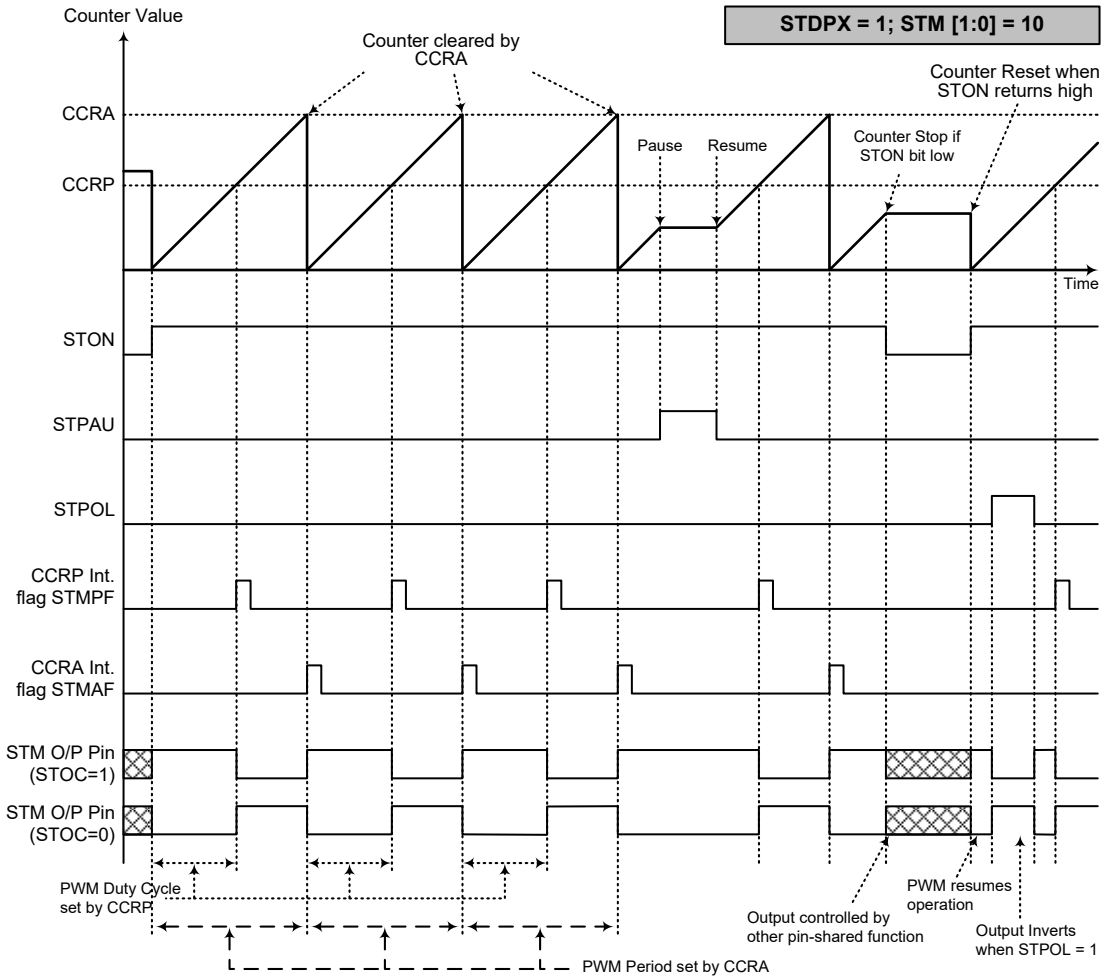
16-bit STM, PWM Output Mode, Edge-aligned Mode, STDPX=1

CCRP	1~255	0
Period	CCRA	
Duty	CCRP×256	65536

The PWM output period is determined by the CCRA register value together with the TM clock while the PWM duty cycle is defined by the CCRP register value except when the CCRP value is equal to 0.



- Note: 1. Here STDPX=0 – Counter cleared by CCRP
 2. A counter clear sets the PWM Period
 3. The internal PWM function continues running even when STIO [1:0] = 00 or 01
 4. The STCCLR bit has no influence on PWM operation



PWM Output Mode – STDPX=1

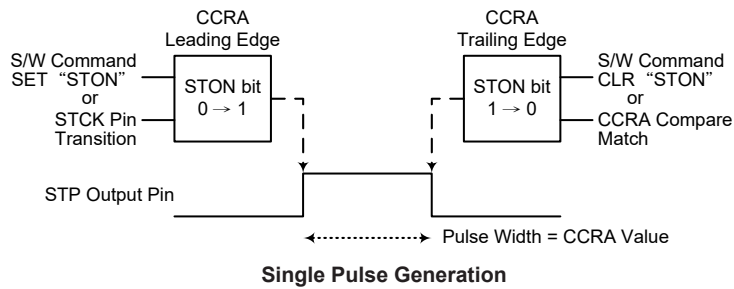
- Note: 1. Here STDPX=1 – Counter cleared by CCRA
 2. A counter clear sets the PWM Period
 3. The internal PWM function continues even when STIO [1:0] = 00 or 01
 4. The STCCLR bit has no influence on PWM operation

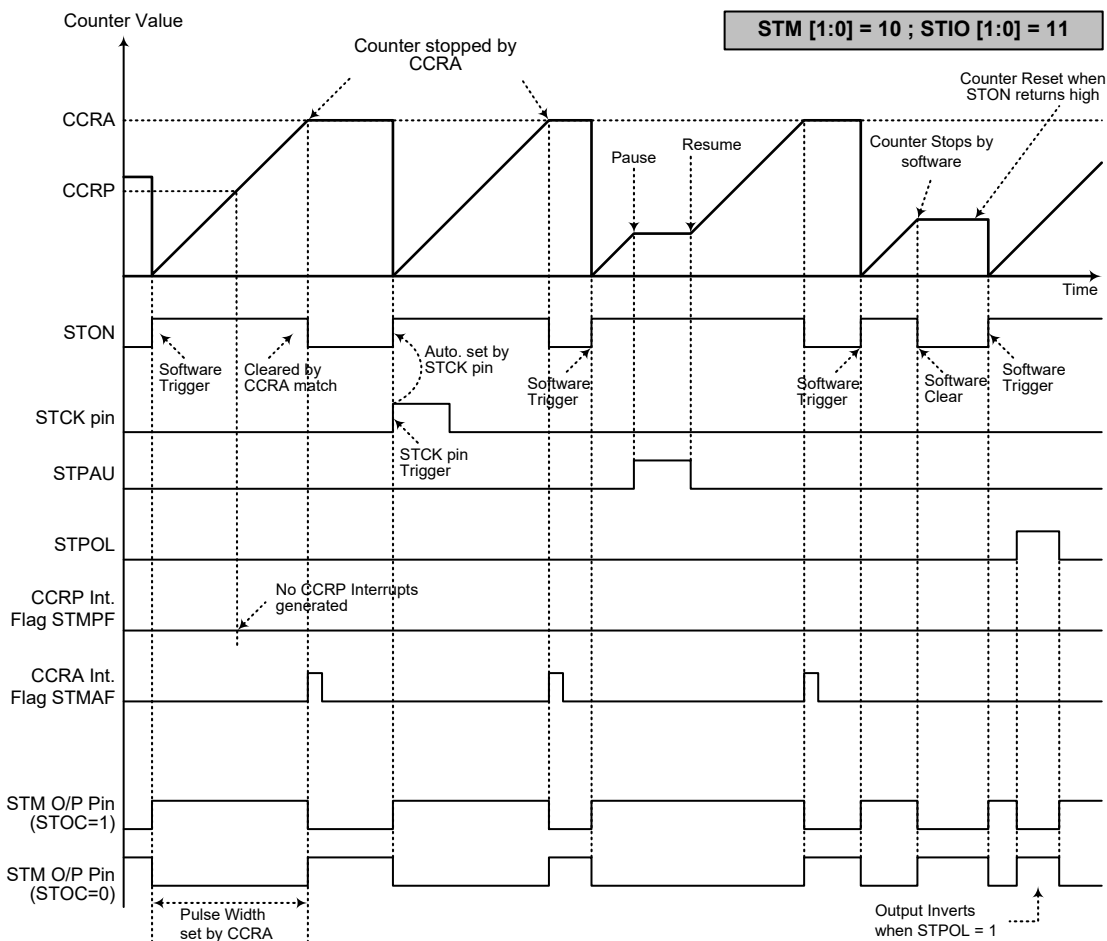
Single Pulse Output Mode

To select this mode, bits STM1 and STM0 in the STMC1 register should be set to 10 respectively and also the STIO1 and STIO0 bits should be set to 11 respectively. The Single Pulse Output Mode, as the name suggests, will generate a single shot pulse on the STM output pin.

The trigger for the pulse output leading edge is a low to high transition of the STON bit, which can be implemented using the application program. However in the Single Pulse Output Mode, the STON bit can also be made to automatically change from low to high using the external STCK pin, which will in turn initiate the Single Pulse output. When the STON bit transitions to a high level, the counter will start running and the pulse leading edge will be generated. The STON bit should remain high when the pulse is in its active state. The generated pulse trailing edge will be generated when the STON bit is cleared to zero, which can be implemented using the application program or when a compare match occurs from Comparator A.

However a compare match from Comparator A will also automatically clear the STON bit and thus generate the Single Pulse output trailing edge. In this way the CCRA value can be used to control the pulse width. A compare match from Comparator A will also generate a STM interrupt. The counter can only be reset back to zero when the STON bit changes from low to high when the counter restarts. In the Single Pulse Output Mode CCRP is not used. The STCCLR and STDPX bits are not used in this Mode.





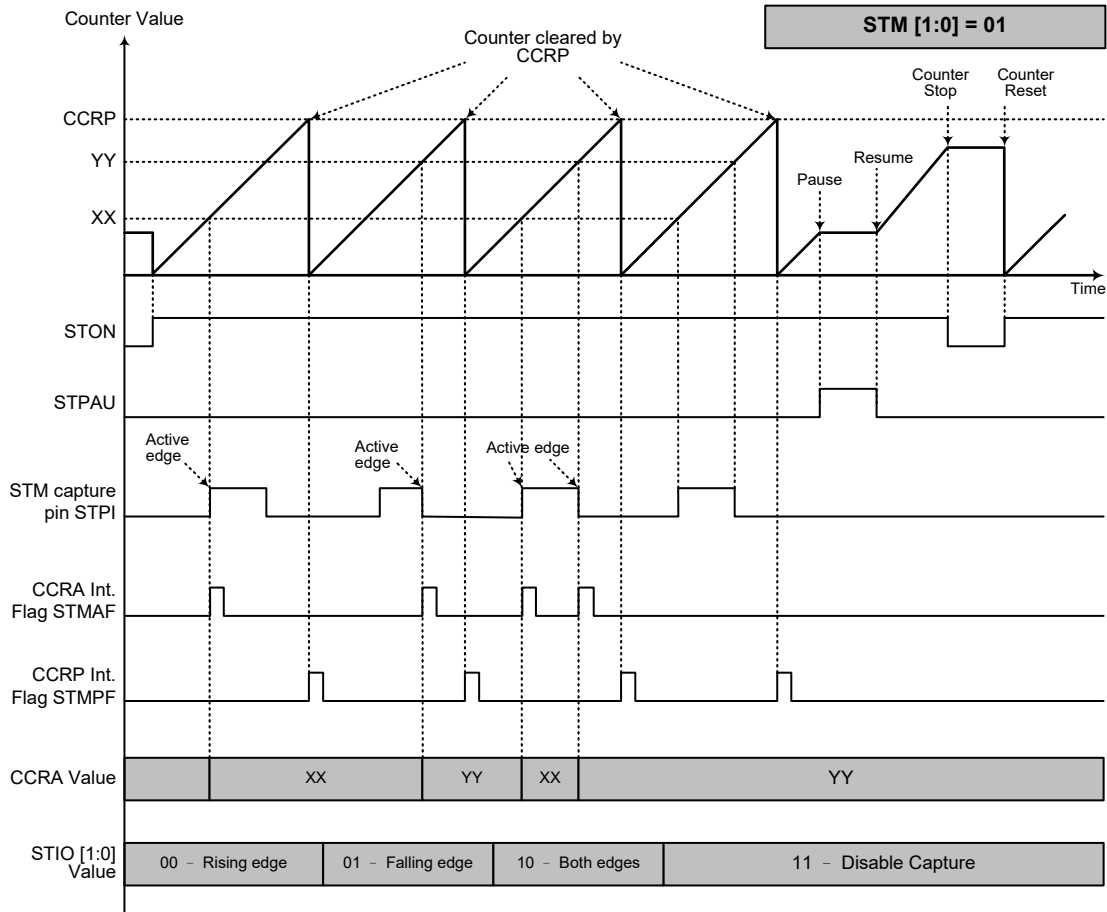
Single Pulse Output Mode

- Note: 1. Counter stopped by CCRA
 2. CCRP is not used
 3. The pulse triggered by the STCK pin or by setting the STON bit high
 4. A STCK pin active edge will automatically set the STON bit high.
 5. In the Single Pulse Output Mode, STIO [1:0] must be set to "11" and cannot be changed.

Capture Input Mode

To select this mode bits STM1 and STM0 in the STMC1 register should be set to 01 respectively. This mode enables external signals to capture and store the present value of the internal counter and can therefore be used for applications such as pulse width measurements. The external signal is supplied on the STPI pin, whose active edge can be a rising edge, a falling edge or both rising and falling edges; the active edge transition type is selected using the STIO1 and STIO0 bits in the STMC1 register. The counter is started when the STON bit changes from low to high which is initiated using the application program.

When the required edge transition appears on the STPI pin the present value in the counter will be latched into the CCRA registers and a STM interrupt generated. Irrespective of what events occur on the STPI pin the counter will continue to free run until the STON bit changes from high to low. When a CCRP compare match occurs the counter will reset back to zero; in this way the CCRP value can be used to control the maximum counter value. When a CCRP compare match occurs from Comparator P, a STM interrupt will also be generated. Counting the number of overflow interrupt signals from the CCRP can be a useful method in measuring long pulse widths. The STIO1 and STIO0 bits can select the active trigger edge on the STPI pin to be a rising edge, falling edge or both edge types. If the STIO1 and STIO0 bits are both set high, then no capture operation will take place irrespective of what happens on the STPI pin, however it must be noted that the counter will continue to run. The STCCLR and STDPX bits are not used in this Mode.



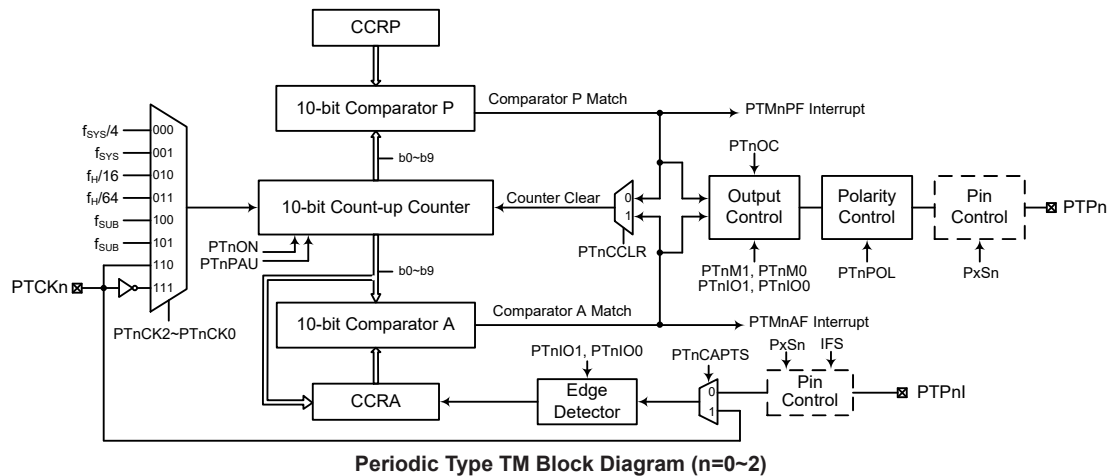
Capture Input Mode

- Note: 1. STM [1:0] = 01 and active edge set by the STIO [1:0] bits
 2. A STM Capture input pin active edge transfers the counter value to CCRA
 3. STCCLR bit not used
 4. No output function – STOC and STPOL bits are not used
 5. CCRP determines the counter value and the counter has a maximum count value when CCRP is equal to zero.

Periodic Type TM – PTM

The Periodic Type TM contains five operating modes, which are Compare Match Output, Timer/Event Counter, Capture Input, Single Pulse Output and PWM Output modes. The Periodic TM can be controlled with two external input pins and can drive an external output pins.

Device	PTM Core	PTM Input Pin	PTM Output Pin	Note
HT66FB572	10-bit PTM0	PTCK0, PTP0I	PTP0	n=0~2
HT66FB574	10-bit PTM1	PTCK1, PTP1I	PTP1	
HT66FB576	10-bit PTM2	PTCK2, PTP2I	PTP2	



Periodic TM Operation

The Periodic Type TM core is a 10-bit count-up counter which is driven by a user selectable internal or external clock source. There are also two internal comparators with the names, Comparator A and Comparator P. These comparators will compare the value in the counter with CCRP and CCRA registers. The CCRP comparator is 10-bit wide.

The only way of changing the value of the 10-bit counter using the application program, is to clear the counter by changing the PTnON bit from low to high. The counter will also be cleared automatically by a counter overflow or a compare match with one of its associated comparators. When these conditions occur, a PTMn interrupt signal will also usually be generated. The Periodic Type TM can operate in a number of different operational modes, can be driven by different clock sources including an input pin and can also control more than one output pin. All operating setup conditions are selected using relevant internal registers.

Periodic Type TM Register Description

Overall operation of the Periodic Type TM is controlled using a series of registers. A read only register pair exists to store the internal counter 10-bit value, while two read/write register pairs exist to store the internal 10-bit CCRA value and CCRP value. The remaining two registers are control registers which setup the different operating and control modes.

Register Name	Bit							
	7	6	5	4	3	2	1	0
PTMnC0	PTnPAU	PTnCK2	PTnCK1	PTnCK0	PTnON	—	—	—
PTMnC1	PTnM1	PTnM0	PTnIO1	PTnIO0	PTnOC	PTnPOL	PTnCAPTS	PTnCCLR
PTMnDL	D7	D6	D5	D4	D3	D2	D1	D0
PTMnDH	—	—	—	—	—	—	D9	D8
PTMnAL	D7	D6	D5	D4	D3	D2	D1	D0
PTMnAH	—	—	—	—	—	—	D9	D8
PTMnRPL	D7	D6	D5	D4	D3	D2	D1	D0
PTMnRPH	—	—	—	—	—	—	D9	D8

10-bit Periodic TM Registers List (n=0~2)

• **PTMnC0 Register**

Bit	7	6	5	4	3	2	1	0
Name	PTnPAU	PTnCK2	PTnCK1	PTnCK0	PTnON	—	—	—
R/W	R/W	R/W	R/W	R/W	R/W	—	—	—
POR	0	0	0	0	0	—	—	—

Bit 7 **PTnPAU**: PTMn Counter Pause Control

0: Run
1: Pause

The counter can be paused by setting this bit high. Clearing the bit to zero restores normal counter operation. When in a Pause condition the PTMn will remain powered up and continue to consume power. The counter will retain its residual value when this bit changes from low to high and resume counting from this value when the bit changes to a low value again.

Bit 6~4 **PTnCK2~PTnCK0**: Select PTMn Counter clock

000: $f_{SYS}/4$
001: f_{SYS}
010: $f_H/16$
011: $f_H/64$
100: f_{SUB}
101: f_{SUB}
110: PTCKn rising edge clock
111: PTCKn falling edge clock

These three bits are used to select the clock source for the PTMn. The external pin clock source can be chosen to be active on the rising or falling edge. The clock source f_{SYS} is the system clock, while f_H and f_{SUB} are other internal clocks, the details of which can be found in the oscillator section.

Bit 3 **PTnON**: PTMn Counter On/Off Control

0: Off
1: On

This bit controls the overall on/off function of the PTMn. Setting the bit high enables the counter to run, clearing the bit disables the PTMn. Clearing this bit to zero will stop the counter from counting and turn off the PTMn which will reduce its power consumption. When the bit changes state from low to high the internal counter value will be reset to zero, however when the bit changes from high to low, the internal counter will retain its residual value until the bit returns high again.

If the PTMn is in the Compare Match Output Mode, PWM Output Mode or Single Pulse Output Mode then the PTMn output pin will be reset to its initial condition, as specified by the PTnOC bit, when the PTnON bit changes from low to high.

Bit 2~0 Unimplemented, read as “0”

• PTMnC1 Register

Bit	7	6	5	4	3	2	1	0
Name	PTnM1	PTnM0	PTnIO1	PTnIO0	PTnOC	PTnPOL	PTnCAPTS	PTnCCLR
R/W	R/W	R/W	R/W	R/W	R/W	R/W	R/W	R/W
POR	0	0	0	0	0	0	0	0

Bit 7~6 **PTnM1~PTnM0**: Select PTMn Operating Mode
 00: Compare Match Output Mode
 01: Capture Input Mode
 10: PWM Output Mode or Single Pulse Output Mode
 11: Timer/Counter Mode

These bits setup the required operating mode for the PTMn. To ensure reliable operation the PTMn should be switched off before any changes are made to the PTnM1 and PTnM0 bits. In the Timer/Counter Mode, the PTMn output pin control must be disabled.

Bit 5~4 **PTnIO1~PTnIO0**: Select PTMn external pin (PTPn, PTPnI or PTCKn) function

Compare Match Output Mode

00: No change
 01: Output low
 10: Output high
 11: Toggle output

PWM Output Mode/Single Pulse Output Mode

00: PWM Output inactive state
 01: PWM Output active state
 10: PWM output
 11: Single pulse output

Capture Input Mode

00: Input capture at rising edge of PTPnI or PTCKn
 01: Input capture at falling edge of PTPnI or PTCKn
 10: Input capture at falling/rising edge of PTPnI or PTCKn
 11: Input capture disabled

Timer/Counter Mode

Unused

These two bits are used to determine how the PTMn output pin changes state when a certain condition is reached. The function that these bits select depends upon in which mode the PTMn is running.

In the Compare Match Output Mode, the PTnIO1 and PTnIO0 bits determine how the PTMn output pin changes state when a compare match occurs from the Comparator A. The PTMn output pin can be setup to switch high, switch low or to toggle its present state when a compare match occurs from the Comparator A. When the bits are both zero, then no change will take place on the output. The initial value of the PTMn output pin should be setup using the PTnOC bit in the PTMnC1 register. Note that the output level requested by the PTnIO1 and PTnIO0 bits must be different from the initial value setup using the PTnOC bit otherwise no change will occur on the PTMn output pin when a compare match occurs. After the PTMn output pin changes state, it can be reset to its initial level by changing the level of the PTnON bit from low to high.

In the PWM Output Mode, the PTnIO1 and PTnIO0 bits determine how the PTMn output pin changes state when a certain compare match condition occurs. The PWM output function is modified by changing these two bits. It is necessary to only change the values of the PTnIO1 and PTnIO0 bits only after the TM has been switched off. Unpredictable PWM outputs will occur if the PTnIO1 and PTnIO0 bits are changed when the PTMn is running.

- Bit 3 **PTnOC**: PTMn PTPn Output control bit
Compare Match Output Mode
0: Initial low
1: Initial high
PWM Output Mode/Single Pulse Output Mode
0: Active low
1: Active high
This is the output control bit for the PTMn output pin. Its operation depends upon whether PTMn is being used in the Compare Match Output Mode or in the PWM Output Mode/Single Pulse Output Mode. It has no effect if the PTMn is in the Timer/Counter Mode. In the Compare Match Output Mode it determines the logic level of the PTMn output pin before a compare match occurs. In the PWM Output Mode it determines if the PWM signal is active high or active low. In the Single Pulse Output Mode it determines the logic level of the PTMn output pin when the PTnON bit changes from low to high.
- Bit 2 **PTnPOL**: PTMn PTPn Output polarity Control
0: Non-invert
1: Invert
This bit controls the polarity of the PTPn output pin. When the bit is set high the PTMn output pin will be inverted and not inverted when the bit is zero. It has no effect if the PTMn is in the Timer/Counter Mode.
- Bit 1 **PTnCAPTS**: PTMn Capture Trigger Source Selection
0: From PTPnI pin
1: From PTCKn pin
- Bit 0 **PTnCCLR**: Select PTMn Counter clear condition
0: PTMn Comparator P match
1: PTMn Comparator A match
This bit is used to select the method which clears the counter. Remember that the Periodic TM contains two comparators, Comparator A and Comparator P, either of which can be selected to clear the internal counter. With the PTnCCLR bit set high, the counter will be cleared when a compare match occurs from the Comparator A. When the bit is low, the counter will be cleared when a compare match occurs from the Comparator P or with a counter overflow. A counter overflow clearing method can only be implemented if the CCRP bits are all cleared to zero. The PTnCCLR bit is not used in the PWM Output Mode, Single Pulse or Capture Input Mode.

• **PTMnDL Register**

Bit	7	6	5	4	3	2	1	0
Name	D7	D6	D5	D4	D3	D2	D1	D0
R/W	R	R	R	R	R	R	R	R
POR	0	0	0	0	0	0	0	0

Bit 7~0 **D7~D0**: PTMn Counter Low Byte Register bit 7 ~ bit 0
PTMn 10-bit Counter bit 7 ~ bit 0

• **PTMnDH Register**

Bit	7	6	5	4	3	2	1	0
Name	—	—	—	—	—	—	D9	D8
R/W	—	—	—	—	—	—	R	R
POR	—	—	—	—	—	—	0	0

Bit 7~2 Unimplemented, read as “0”
Bit 1~0 **D9~D8**: PTMn Counter High Byte Register bit 1 ~ bit 0
PTMn 10-bit Counter bit 9 ~ bit 8

• PTMnAL Register

Bit	7	6	5	4	3	2	1	0
Name	D7	D6	D5	D4	D3	D2	D1	D0
R/W	R/W	R/W	R/W	R/W	R/W	R/W	R/W	R/W
POR	0	0	0	0	0	0	0	0

Bit 7~0 **D7~D0**: PTMn CCRA Low Byte Register bit 7 ~ bit 0
 PTMn 10-bit CCRA bit 7 ~ bit 0

• PTMnAH Register

Bit	7	6	5	4	3	2	1	0
Name	—	—	—	—	—	—	D9	D8
R/W	—	—	—	—	—	—	R/W	R/W
POR	—	—	—	—	—	—	0	0

Bit 7~2 Unimplemented, read as “0”
 Bit 1~0 **D9~D8**: PTMn CCRA High Byte Register bit 1 ~ bit 0
 PTMn 10-bit CCRA bit 9 ~ bit 8

• PTMnRPL Register

Bit	7	6	5	4	3	2	1	0
Name	D7	D6	D5	D4	D3	D2	D1	D0
R/W	R/W	R/W	R/W	R/W	R/W	R/W	R/W	R/W
POR	0	0	0	0	0	0	0	0

Bit 7~0 **D7~D0**: PTMn CCRP Low Byte Register bit 7 ~ bit 0
 PTMn 10-bit CCRP bit 7 ~ bit 0

• PTMnRPH Register

Bit	7	6	5	4	3	2	1	0
Name	—	—	—	—	—	—	D9	D8
R/W	—	—	—	—	—	—	R/W	R/W
POR	—	—	—	—	—	—	0	0

Bit 7~2 Unimplemented, read as “0”
 Bit 1~0 **D9~D8**: PTMn CCRP High Byte Register bit 1 ~ bit 0
 PTMn 10-bit CCRP bit 9 ~ bit 8

Periodic Type TM Operating Modes

The Standard Type TM can operate in one of five operating modes, Compare Match Output Mode, PWM Output Mode, Single Pulse Output Mode, Capture Input Mode or Timer/Counter Mode. The operating mode is selected using the PTnM1 and PTnM0 bits in the PTMnC1 register.

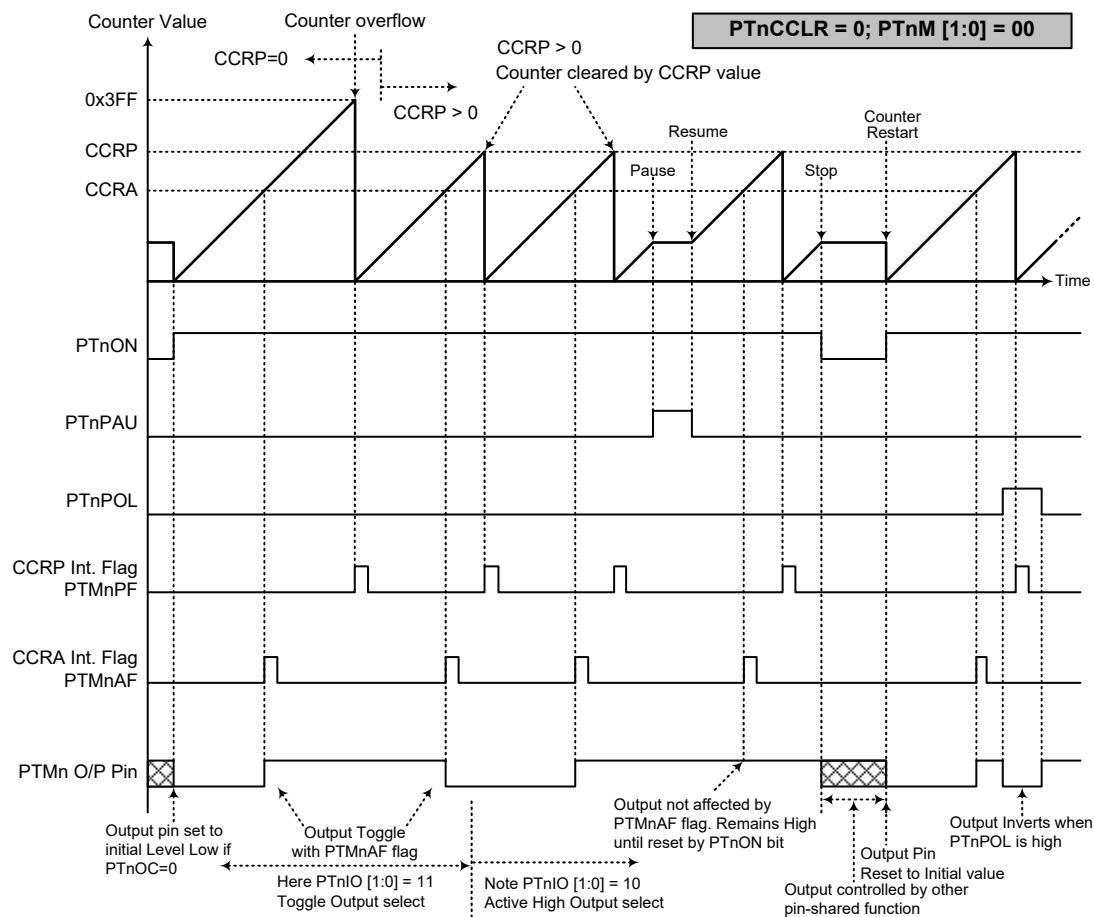
Compare Match Output Mode

To select this mode, bits PTnM1 and PTnM0 in the PTMnC1 register, should be set to 00 respectively. In this mode once the counter is enabled and running it can be cleared by three methods. These are a counter overflow, a compare match from Comparator A and a compare match from Comparator P. When the PTnCCLR bit is low, there are two ways in which the counter can be cleared. One is when a compare match from Comparator P, the other is when the CCRP bits are all zero which allows the counter to overflow. Here both PTMnAF and PTMnPF interrupt request flags for Comparator A and Comparator P respectively, will both be generated.

If the PTnCCLR bit in the PTMnC1 register is high then the counter will be cleared when a compare match occurs from Comparator A. However, here only the PTMnAF interrupt request flag will be generated even if the value of the CCRP bits is less than that of the CCRA registers. Therefore when PTnCCLR is high no PTMnPF interrupt request flag will be generated. In the Compare Match Output Mode, the CCRA cannot be cleared to zero.

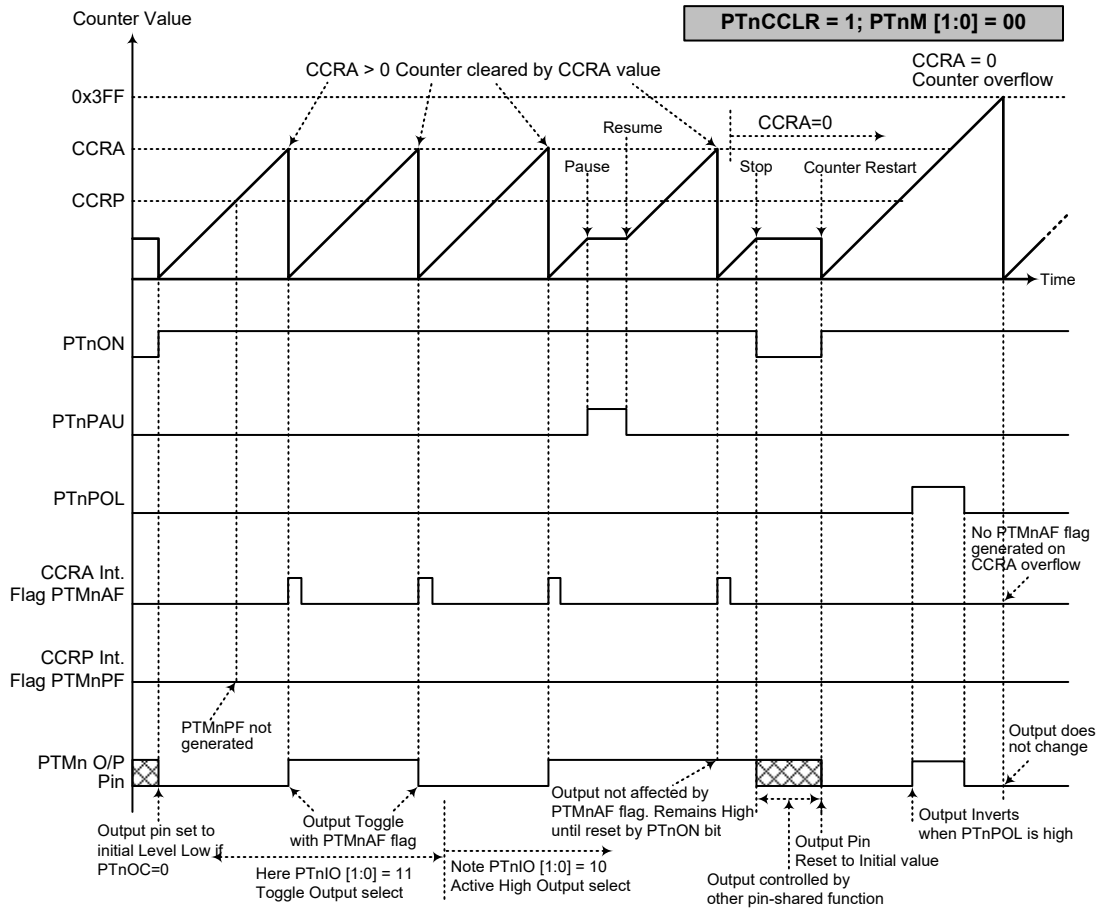
If the CCRA bits are all zero, the counter will overflow when it reaches its maximum 10-bit, 3FF Hex, value, however here the PTMnAF interrupt request flag will not be generated.

As the name of the mode suggests, after a comparison is made, the PTMn output pin, will change state. The PTMn output pin condition however only changes state when a PTMnAF interrupt request flag is generated after a compare match occurs from Comparator A. The PTMnPF interrupt request flag, generated from a compare match occurs from Comparator P, will have no effect on the PTMn output pin. The way in which the PTMn output pin changes state are determined by the condition of the PTnIO1 and PTnIO0 bits in the PTMnC1 register. The PTMn output pin can be selected using the PTnIO1 and PTnIO0 bits to go high, to go low or to toggle from its present condition when a compare match occurs from Comparator A. The initial condition of the PTMn output pin, which is setup after the PTnON bit changes from low to high, is setup using the PTnOC bit. Note that if the PTnIO1 and PTnIO0 bits are zero then no pin change will take place.



Compare Match Output Mode – PTnCCLR=0 (n=0~2)

- Note: 1. With PTnCCLR=0 a Comparator P match will clear the counter
 2. The PTMn output pin is controlled only by the PTMnAF flag
 3. The output pin is reset to its initial state by a PTnON bit rising edge



Compare Match Output Mode – PTnCCLR=1 (n=0-2)

- Note: 1. With PTnCCLR=1 a Comparator A match will clear the counter
 2. The PTMn output pin is controlled only by the PTMnAF flag
 3. The output pin is reset to its initial state by a PTnON bit rising edge
 4. A PTMnPF flag is not generated when PTnCCLR=1

Timer/Counter Mode

To select this mode, bits PTnM1 and PTnM0 in the PTMnC1 register should be set to 11 respectively. The Timer/Counter Mode operates in an identical way to the Compare Match Output Mode generating the same interrupt flags. The exception is that in the Timer/Counter Mode the TM output pin is not used. Therefore the above description and Timing Diagrams for the Compare Match Output Mode can be used to understand its function. As the TM output pin is not used in this mode, the pin can be used as a normal I/O pin or other pin-shared function.

PWM Output Mode

To select this mode, bits PTnM1 and PTnM0 in the PTMnC1 register should be set to 10 respectively. The PWM function within the PTMn is useful for applications which require functions such as motor control, heating control, illumination control etc. By providing a signal of fixed frequency but of varying duty cycle on the PTMn output pin, a square wave AC waveform can be generated with varying equivalent DC RMS values.

As both the period and duty cycle of the PWM waveform can be controlled, the choice of generated waveform is extremely flexible. In the PWM Output Mode, the PTnCCLR bit has no effect on the PWM operation. Both of the CCRA and CCRP registers are used to generate the PWM waveform, one register is used to clear the internal counter and thus control the PWM waveform frequency, while the other one is used to control the duty cycle. The PWM waveform frequency and duty cycle can therefore be controlled by the values in the CCRA and CCRP registers.

An interrupt flag, one for each of the CCRA and CCRP, will be generated when a compare match occurs from either Comparator A or Comparator P. The PTnOC bit in the PTMnC1 register is used to select the required polarity of the PWM waveform while the two PTnIO1 and PTnIO0 bits are used to enable the PWM output or to force the PTMn output pin to a fixed high or low level. The PTnPOL bit is used to reverse the polarity of the PWM output waveform.

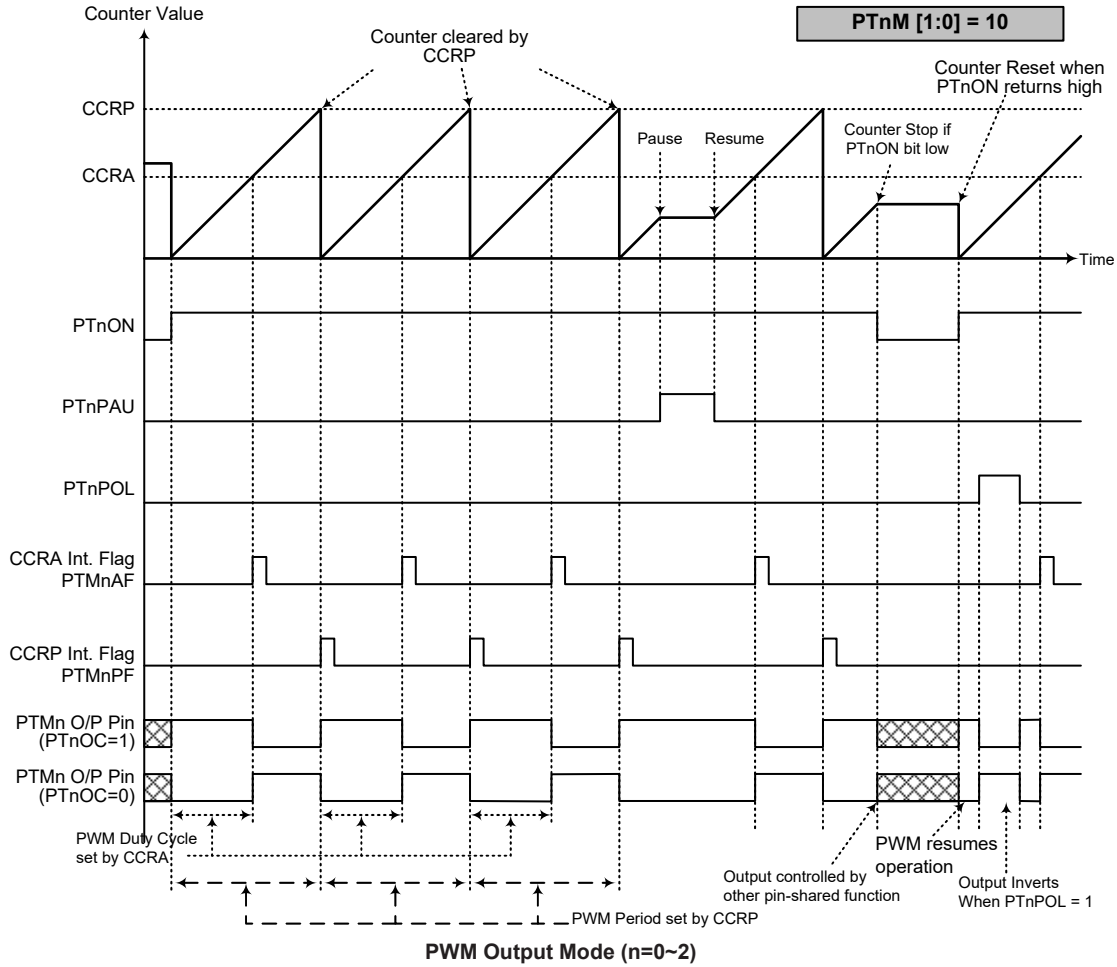
10-bit PTMn, PWM Output Mode, Edge-aligned Mode

CCRP	1~1023	0
Period	1~1023	1024
Duty	CCRA	

If $f_{SYS} = 12\text{MHz}$, PTMn clock source select $f_{SYS}/4$, CCRP=512 and CCRA=128,

The PTMn PWM output frequency= $(f_{SYS}/4)/512=f_{SYS}/2048=5.8594\text{kHz}$, duty= $128/(2 \times 256)=25\%$.

If the Duty value defined by the CCRA register is equal to or greater than the Period value, then the PWM output duty is 100%.



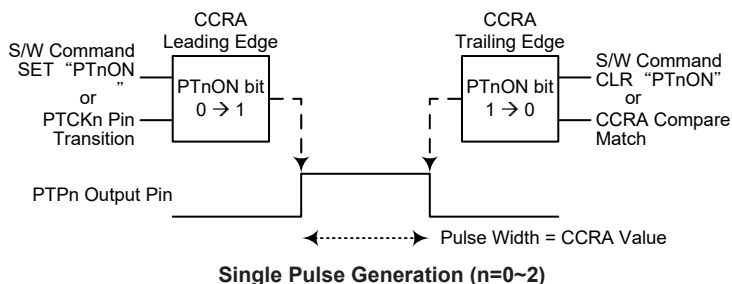
- Note:
1. Counter cleared by CCRP
 2. A counter clear sets the PWM Period
 3. The internal PWM function continues running even when PTnIO[1:0] = 00 or 01
 4. The PTnCCLR bit has no influence on PWM operation

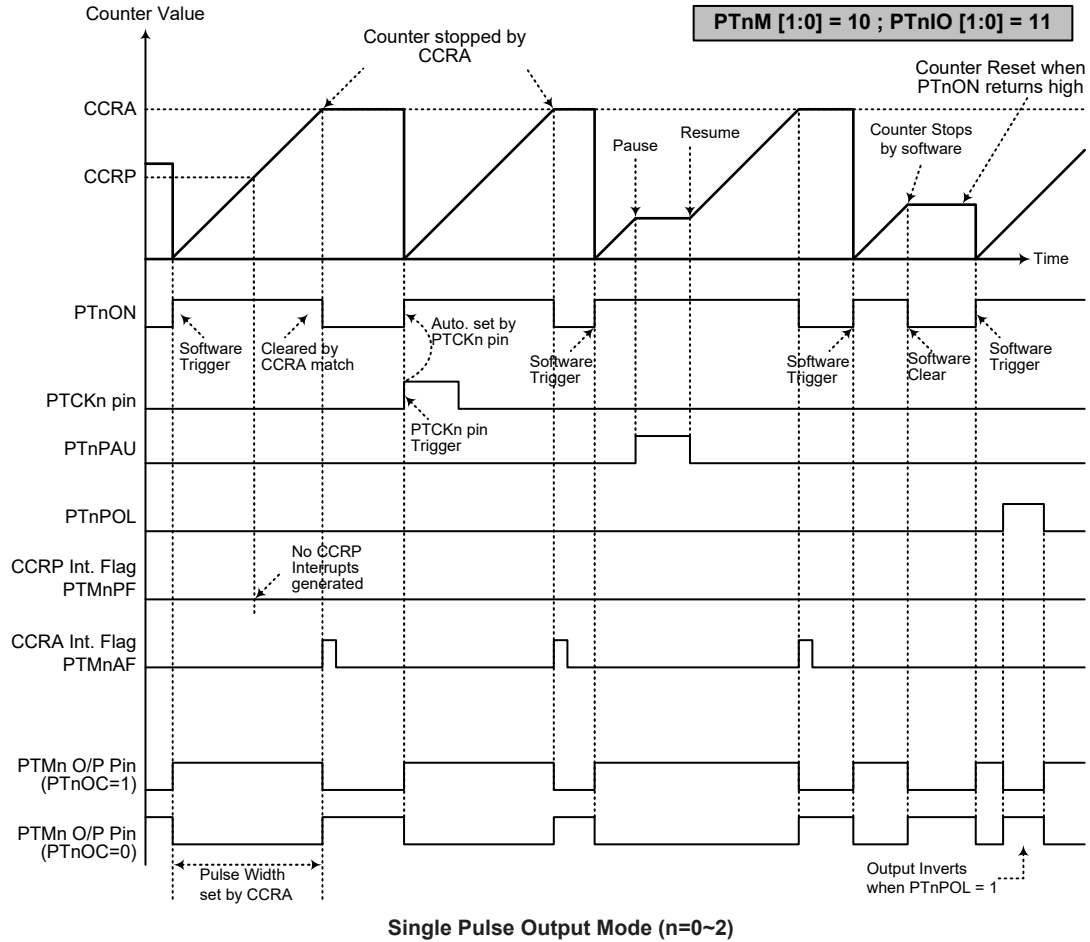
Single Pulse Output Mode

To select this mode, bits PTnM1 and PTnM0 in the PTMnC1 register should be set to 10 respectively and also the PTnIO1 and PTnIO0 bits should be set to 11 respectively. The Single Pulse Output Mode, as the name suggests, will generate a single shot pulse on the PTMn output pin.

The trigger for the pulse output leading edge is a low to high transition of the PTnON bit, which can be implemented using the application program. However in the Single Pulse Output Mode, the PTnON bit can also be made to automatically change from low to high using the external PTCKn pin, which will in turn initiate the Single Pulse output. When the PTnON bit transitions to a high level, the counter will start running and the pulse leading edge will be generated. The PTnON bit should remain high when the pulse is in its active state. The generated pulse trailing edge will be generated when the PTnON bit is cleared to zero, which can be implemented using the application program or when a compare match occurs from Comparator A.

However a compare match from Comparator A will also automatically clear the PTnON bit and thus generate the Single Pulse output trailing edge. In this way the CCRA value can be used to control the pulse width. A compare match from Comparator A will also generate a PTMn interrupt. The counter can only be reset back to zero when the PTnON bit changes from low to high when the counter restarts. In the Single Pulse Output Mode CCRP is not used. The PTnCCLR bit is not used in this Mode.





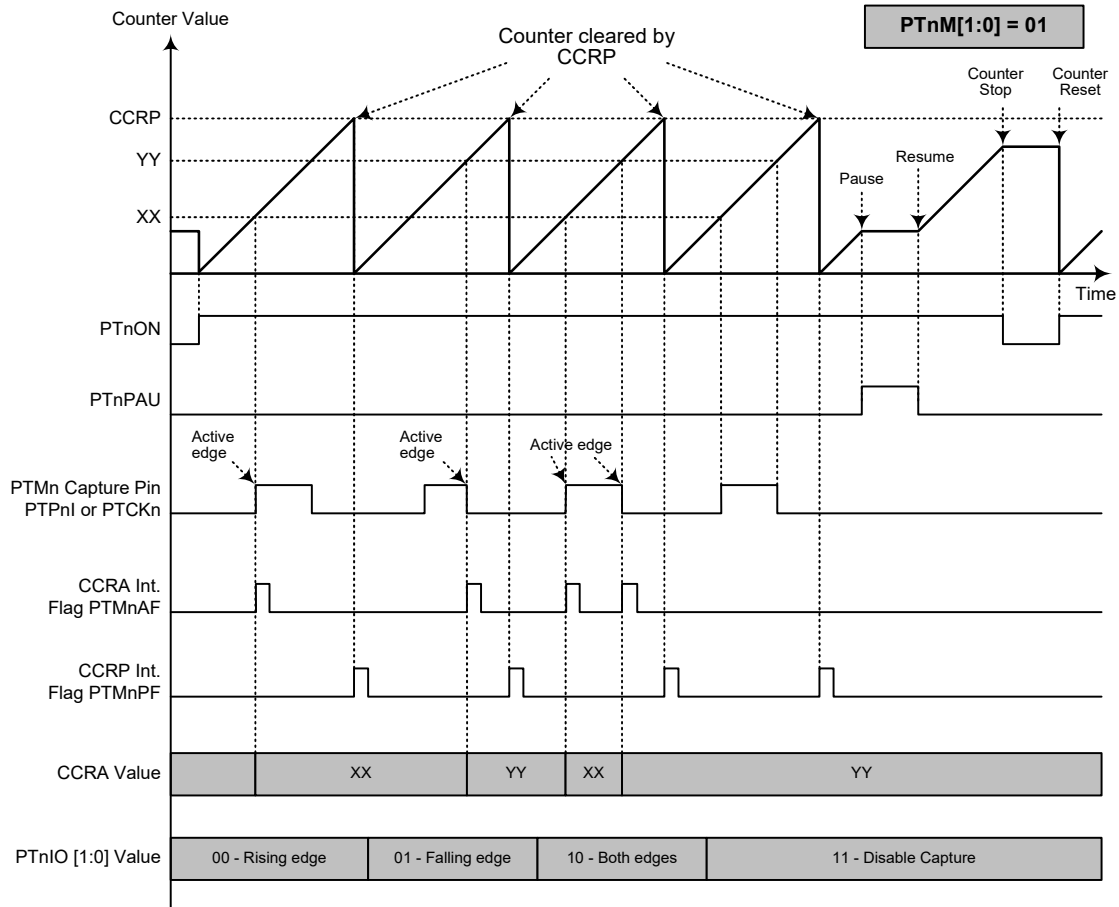
- Note:
1. Counter stopped by CCRA
 2. CCRP is not used
 3. The pulse is triggered by the PTCKn pin or by setting the PTnON bit high
 4. A PTCKn pin active edge will automatically set the PTnON bit high
 5. In the Single Pulse Output Mode, PTnIO[1:0] must be set to "11" and cannot be changed.

Capture Input Mode

To select this mode bits PTnM1 and PTnM0 in the PTMnC1 register should be set to 01 respectively. This mode enables external signals to capture and store the present value of the internal counter and can therefore be used for applications such as pulse width measurements. The external signal is supplied on the PTPnI or PTCKn pin which is selected using the PTnCPTS bit in the PTMnC1 register. The input pin active edge can be either a rising edge, a falling edge or both rising and falling edges; the active edge transition type is selected using the PTnIO1 and PTnIO0 bits in the PTMnC1 register. The counter is started when the PTnON bit changes from low to high which is initiated using the application program.

When the required edge transition appears on the PTPnI or PTCKn pin the present value in the counter will be latched into the CCRA registers and a PTMn interrupt generated. Irrespective of what events occur on the PTPnI or PTCKn pin, the counter will continue to free run until the PTnON bit changes from high to low. When a CCRP compare match occurs the counter will reset back to zero; in this way the CCRP value can be used to control the maximum counter value. When a CCRP compare match occurs from Comparator P, a PTMn interrupt will also be generated. Counting the number of overflow interrupt signals from the CCRP can be a useful method in measuring long pulse widths. The PTnIO1 and PTnIO0 bits can select the active trigger edge on the PTPnI or PTCKn pin to be a rising edge, falling edge or both edge types. If the PTnIO1 and PTnIO0 bits are both set high, then no capture operation will take place irrespective of what happens on the PTPnI or PTCKn pin, however it must be noted that the counter will continue to run.

As the PTPnI or PTCKn pin is pin shared with other functions, care must be taken if the PTMn is in the Capture Input Mode. This is because if the pin is setup as an output, then any transitions on this pin may cause an input capture operation to be executed. The PTnCCLR, PTnOC and PTnPOL bits are not used in this Mode.



Capture Input Mode (n=0~2)

- Note: 1. PTnM[1:0] = 01 and active edge set by the PTnIO[1:0] bits
 2. A PTMn Capture input pin active edge transfers the counter value to CCRA
 3. PTnCCLR bit not used
 4. No output function – PTnOC and PTnPOL bits are not used
 5. CCRP determines the counter value and the counter has a maximum count value when CCRP is equal to zero.

Analog to Digital Converter

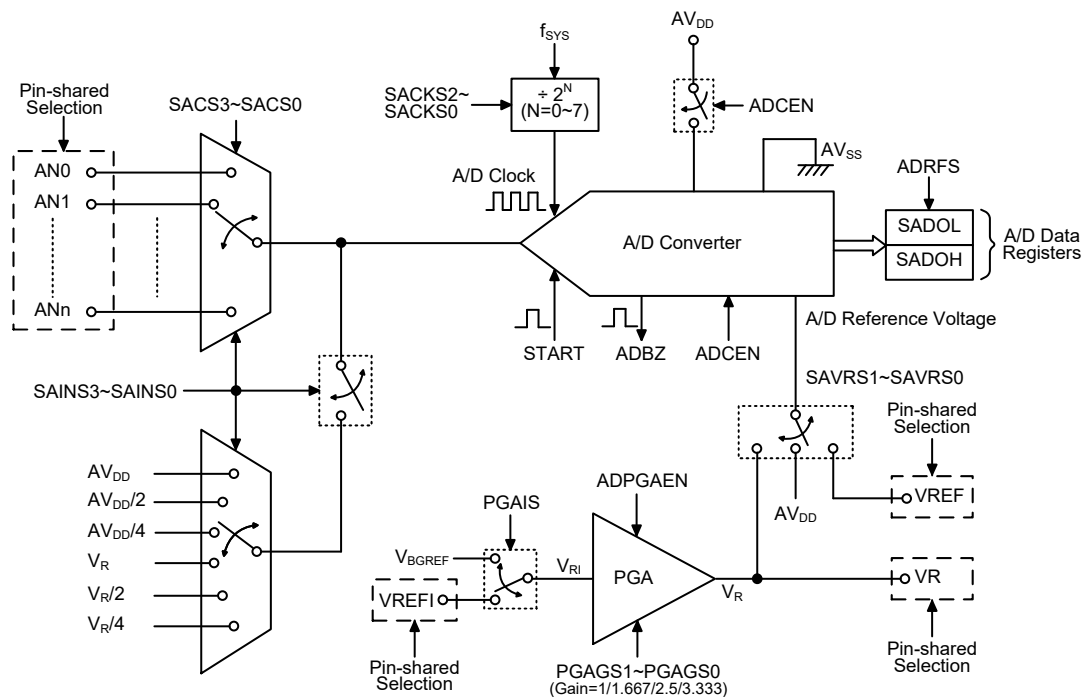
The need to interface to real world analog signals is a common requirement for many electronic systems. However, to properly process these signals by a microcontroller, they must first be converted into digital signals by A/D converters. By integrating the A/D conversion electronic circuitry into the microcontroller, the need for external components is reduced significantly with the corresponding follow-on benefits of lower costs and reduced component space requirements.

A/D Converter Overview

These devices contain a multi-channel analog to digital converter which can directly interface to external analog signals, such as that from sensors or other control signals and convert these signals directly into a 12-bit digital value. The external or internal analog signal to be converted is determined by the SAINS3~SAINS0 bits together with the SACS3~SACS0 bits. When the external analog signal is to be converted, the corresponding pin-shared control bits should first be properly configured and then desired external channel input should be selected using the SAINS3~SAINS0 and SACS3~SACS0 bits. Note that when the internal analog signal is to be converted, the pin-shared control bits should also be properly configured except the SAINS and SACS bit fields. More detailed information about the A/D input signal is described in the “A/D Converter Control Registers” and “A/D Converter Input Signals” sections respectively.

Device	External Input Channels	Internal Signal	A/D Channel Select Bits
HT66FB572	8: AN0~AN7	6: AV _{DD} , AV _{DD} /2, AV _{DD} /4, V _R , V _R /2, V _R /4	SAINS3~SAINS0, SACS3~SACS0
HT66FB574	12: AN0~AN11		
HT66FB576	16: AN0~AN15		

The accompanying block diagram shows the overall internal structure of the A/D converter, together with its associated registers.



Note: n=7 for HT66FB572; n=11 for HT66FB574; n=15 for HT66FB576.

A/D Converter Structure

A/D Converter Register Description

Overall operation of the A/D converter is controlled using six registers. A read only register pair exists to store the A/D converter data 12-bit value. The remaining four registers are control registers which setup the operating and control function of the A/D converter.

Register Name	Bit							
	7	6	5	4	3	2	1	0
SADOL(ADRFs=0)	D3	D2	D1	D0	—	—	—	—
SADOL(ADRFs=1)	D7	D6	D5	D4	D3	D2	D1	D0
SADOH(ADRFs=0)	D11	D10	D9	D8	D7	D6	D5	D4
SADOH(ADRFs=1)	—	—	—	—	D11	D10	D9	D8
SADC0	START	ADBZ	ADCEN	ADRFs	SACS3	SACS2	SACS1	SACS0
SADC1	SAINS3	SAINS2	SAINS1	SAINS0	—	SACKS2	SACKS1	SACKS0
SADC2	ADPGAEN	—	—	PGAIS	SAVRS1	SAVRS0	PGAGS1	PGAGS0
VBGRC	—	—	—	—	—	—	—	VBGREN

A/D Converter Registers List

A/D Converter Data Registers – SADOL, SADOH

As these devices contain an internal 12-bit A/D converter, it requires two data registers to store the converted value. These are a high byte register, known as SADOH, and a low byte register, known as SADOL. After the conversion process takes place, these registers can be directly read by the microcontroller to obtain the digitised conversion value. As only 12 bits of the 16-bit register space is utilised, the format in which the data is stored is controlled by the ADRFS bit in the SADC0 register as shown in the accompanying table. D0~D11 are the A/D conversion result data bits. Any unused bits will be read as zero. Note that A/D data registers contents will be unchanged if the A/D converter is disabled.

ADRFs	SADOH								SADOL							
	7	6	5	4	3	2	1	0	7	6	5	4	3	2	1	0
0	D11	D10	D9	D8	D7	D6	D5	D4	D3	D2	D1	D0	x	x	x	x
1	x	x	x	x	D11	D10	D9	D8	D7	D6	D5	D4	D3	D2	D1	D0

A/D Converter Data Registers

A/D Converter Control Registers – SADC0, SADC1, SADC2

To control the function and operation of the A/D converter, three control registers known as SADC0~SADC2 are provided. These 8-bit registers define functions such as the selection of which analog channel is connected to the internal A/D converter, the digitised data format, the A/D clock source as well as controlling the start function and monitoring the A/D converter busy status. As the devices contain only one actual analog to digital converter hardware circuit, each of the external or internal analog signal inputs must be routed to the converter. The SACS3~SACS0 bits in the SADC0 register are used to determine which external channel input is selected to be converted. The SAINS3~SAINS0 bits in the SADC1 register are used to determine that the analog signal to be converted comes from the internal analog signal or external analog channel input.

The relevant pin-shared function selection bits determine which pins on I/O Ports are used as analog inputs for the A/D converter input and which pins are not to be used as the A/D converter input. When the pin is selected to be an A/D input, its original function whether it is an I/O or other pin-shared function will be removed. In addition, any internal pull-high resistor connected to the pin will be automatically removed if the pin is selected to be an A/D converter input.

• SADC0 Register

Bit	7	6	5	4	3	2	1	0
Name	START	ADBZ	ADCEN	ADRFS	SACS3	SACS2	SACS1	SACS0
R/W	R/W	R	R/W	R/W	R/W	R/W	R/W	R/W
POR	0	0	0	0	0	0	0	0

- Bit 7 **START**: Start the A/D conversion
 0→1→0: Start
 This bit is used to initiate an A/D conversion process. The bit is normally low but if set high and then cleared low again, the A/D converter will initiate a conversion process.
- Bit 6 **ADBZ**: A/D converter busy flag
 0: No A/D conversion is in progress
 1: A/D conversion is in progress
 This read only flag is used to indicate whether the A/D conversion is in progress or not. When the START bit is set from low to high and then to low again, the ADBZ flag will be set to 1 to indicate that the A/D conversion is initiated. The ADBZ flag will be cleared to 0 after the A/D conversion is complete.
- Bit 5 **ADCEN**: A/D converter function enable control
 0: Disable
 1: Enable
 This bit controls the A/D internal function. This bit should be set to one to enable the A/D converter. If the bit is set low, then the A/D converter will be switched off reducing the devices power consumption. When the A/D converter function is disabled, the contents of the A/D data register pair known as SADOH and SADOL will be unchanged.
- Bit 4 **ADRFS**: A/D converter data format select
 0: A/D converter data format → SADOH = D[11:4]; SADOL = D[3:0]
 1: A/D converter data format → SADOH = D[11:8]; SADOL = D[7:0]
 This bit controls the format of the 12-bit converted A/D value in the two A/D data registers. Details are provided in the A/D data register section.
- Bit 3~0 **SACS3~SACS0**: A/D converter external analog channel input select
 HT66FB572
 0000: AN0
 0001: AN1
 :
 :
 0110: AN6
 0111: AN7
 Other values: ADC input is floating
 HT66FB574
 0000: AN0
 0001: AN1
 :
 :
 1010: AN10
 1011: AN11
 Other values: ADC input is floating
 HT66FB576
 0000: AN0
 0001: AN1
 :
 :
 1110: AN14
 1111: AN15

• SADC1 Register

Bit	7	6	5	4	3	2	1	0
Name	SAINS3	SAINS2	SAINS1	SAINS0	—	SACKS2	SACKS1	SACKS0
R/W	R/W	R/W	R/W	R/W	—	R/W	R/W	R/W
POR	0	0	0	0	—	0	0	0

Bit 7~4 **SAINS3~SAINS0**: A/D converter input signal select
 0000: External input – External analog channel input
 0001: Internal input – Internal A/D converter power supply voltage AV_{DD}
 0010: Internal input – Internal A/D converter power supply voltage $AV_{DD}/2$
 0011: Internal input – Internal A/D converter power supply voltage $AV_{DD}/4$
 0100: External input – External analog channel input
 0101: Internal input – Internal A/D converter PGA output voltage V_R
 0110: Internal input – Internal A/D converter PGA output voltage $V_R/2$
 0111: Internal input – Internal A/D converter PGA output voltage $V_R/4$
 1000~1011: Reserved, connected to ground
 1100~1111: External input – External analog channel input

When the internal analog signal and the external signal are selected to be converted simultaneously, the external channel input signal will automatically be switched off regardless of the SACKS3~SACKS0 bit field value.

Bit 3 Unimplemented, read as “0”

Bit 2~0 **SACKS2~SACKS0**: A/D conversion clock source select
 000: f_{SYS}
 001: $f_{SYS}/2$
 010: $f_{SYS}/4$
 011: $f_{SYS}/8$
 100: $f_{SYS}/16$
 101: $f_{SYS}/32$
 110: $f_{SYS}/64$
 111: $f_{SYS}/128$

These three bits are used to select the clock source for the A/D converter.

• SADC2 Register

Bit	7	6	5	4	3	2	1	0
Name	ADPGAEN	—	—	PGAIS	SAVRS1	SAVRS0	PGAGS1	PGAGS0
R/W	R/W	—	—	R/W	R/W	R/W	R/W	R/W
POR	0	—	—	0	0	0	0	0

Bit 7 **ADPGAEN**: PGA enable/disable control
 0: Disable
 1: Enable
 When the PGA output V_R is selected as A/D converter input or A/D converter reference voltage, the PGA needs to be enabled by setting this bit high. Otherwise the PGA needs to be disabled by clearing this bit to zero to conserve the power.

Bit 6~5 Unimplemented, read as “0”

Bit 4 **PGAIS**: PGA input (V_{RI}) select
 0: External VREFI pin
 1: Internal independent reference voltage, V_{BREF}
 When the external voltage on VREFI pin and the internal independent reference voltage V_{BREF} are selected as the PGA input simultaneously, the hardware will only choose the internal voltage V_{BREF} as the PGA input.

Bit 3~2 **SAVRS1~SAVRS0**: A/D converter reference voltage select
 00: Internal A/D converter power, AV_{DD}
 01: VREF pin
 1x: Internal PGA output voltage, V_R

These bits are used to select the A/D converter reference voltage. When the internal A/D converter power or the internal PGA output voltage and the external input voltage on VREF pin are selected as the reference voltage simultaneously, the hardware will only choose the internal reference voltage as the A/D converter reference voltage.

- Bit 1~0 **PGAGS1~PGAGS0**: PGA gain select
- 00: Gain=1
 - 01: Gain=1.667, $V_R=2V$ for $V_{RI}=V_{BGREF}$ (PGAIS=1)
 - 10: Gain=2.5, $V_R=3V$ for $V_{RI}=V_{BGREF}$ (PGAIS=1)
 - 11: Gain=3.333, $V_R=4V$ for $V_{RI}=V_{BGREF}$ (PGAIS=1)

A/D Converter Operation

The START bit in the SADC0 register is used to start the AD conversion. When the microcontroller sets this bit from low to high and then low again, an analog to digital conversion cycle will be initiated.

The ADBZ bit in the SADC0 register is used to indicate whether the analog to digital conversion process is in progress or not. This bit will be automatically set to 1 by the microcontroller after an A/D conversion is successfully initiated. When the A/D conversion is complete, the ADBZ will be cleared to 0. In addition, the corresponding A/D interrupt request flag will be set in the interrupt control register, and if the interrupts are enabled, an appropriate internal interrupt signal will be generated. This A/D internal interrupt signal will direct the program flow to the associated A/D internal interrupt address for processing. If the A/D internal interrupt is disabled, the microcontroller can poll the ADBZ bit in the SADC0 register to check whether it has been cleared as an alternative method of detecting the end of an A/D conversion cycle.

The clock source for the A/D converter, which originates from the system clock f_{SYS} , can be chosen to be either f_{SYS} or a subdivided version of f_{SYS} . The division ratio value is determined by the SACKS2~SACKS0 bits in the SADC1 register. Although the A/D clock source is determined by the system clock f_{SYS} and by bits SACKS2~SACKS0, there are some limitations on the maximum A/D clock source speed that can be selected. As the recommended range of permissible A/D clock period, t_{ADCK} , is from 0.5 μ s to 10 μ s, care must be taken for system clock frequencies. For example, as the system clock operates at a frequency of 8MHz, the SACKS2~SACKS0 bits should not be set to 000, 001 or 111. Doing so will give A/D clock periods that are less than the minimum or larger than the maximum A/D clock period which may result in inaccurate A/D conversion values. Refer to the following table for examples, where values marked with an asterisk * show where, depending upon the devices, special care must be taken.

f_{SYS}	A/D Clock Period (t_{ADCK})							
	SACKS[2:0] = 000 (f_{SYS})	SACKS[2:0] = 001 ($f_{SYS}/2$)	SACKS[2:0] = 010 ($f_{SYS}/4$)	SACKS[2:0] = 011 ($f_{SYS}/8$)	SACKS[2:0] = 100 ($f_{SYS}/16$)	SACKS[2:0] = 101 ($f_{SYS}/32$)	SACKS[2:0] = 110 ($f_{SYS}/64$)	SACKS[2:0] = 111 ($f_{SYS}/128$)
1MHz	1 μ s	2 μ s	4 μ s	8 μ s	16 μ s *	32 μ s *	64 μ s *	128 μ s *
2MHz	500ns	1 μ s	2 μ s	4 μ s	8 μ s	16 μ s *	32 μ s *	64 μ s *
4MHz	250ns *	500ns	1 μ s	2 μ s	4 μ s	8 μ s	16 μ s *	32 μ s *
8MHz	125ns *	250ns *	500ns	1 μ s	2 μ s	4 μ s	8 μ s	16 μ s *
12MHz	83ns *	167ns *	333ns *	667ns	1.33 μ s	2.67 μ s	5.33 μ s	10.67 μ s *
16MHz	62.5ns *	125ns *	250ns *	500ns	1 μ s	2 μ s	4 μ s	8 μ s

A/D Clock Period Examples

Controlling the power on/off function of the A/D converter circuitry is implemented using the ADCEN bit in the SADC0 register. This bit must be set high to power on the A/D converter. When the ADCEN bit is set high to power on the A/D converter internal circuitry a certain delay, as indicated in the timing diagram, must be allowed before an A/D conversion is initiated. Even if no pins are selected for use as A/D inputs, if the ADCEN bit is high, then some power will still be consumed. In power conscious applications it is therefore recommended that the ADCEN is set low to reduce power consumption when the A/D converter function is not being used.

A/D Converter Reference Voltage

The reference voltage supply to the A/D converter can be supplied from the positive power supply pin, AVDD, or from an external reference source supplied on pin VREF, or from the internal PGA output voltage, V_R . The desired selection is made using the SAVRS1 and SAVRS0 bits. When the SAVRS bit field is set to “00”, the A/D converter reference voltage will come from the AVDD pin. If the SAVRS bit field is set to “01”, the A/D converter reference voltage will come from the VREF pin. Otherwise, the A/D converter reference voltage will come from the PGA output, V_R . As the VREF pin is pin-shared with other functions, when the VREF pin is selected as the reference voltage supply pin, the VREF pin-shared function control bits should be properly configured to disable other pin functions. In addition, if the program selects an external reference voltage on VREF pin and the internal reference voltage AV_{DD} or V_R as the A/D converter reference voltage, then the hardware will only choose the internal reference voltage as the A/D converter reference voltage input. The analog input values must not be allowed to exceed the value of the selected reference voltage, V_{REF} .

The A/D converter also has a VREFI pin which is one of PGA inputs for A/D converter reference. To select this PGA input signal, the PGAIS bit in the SADC2 register must be cleared to zero and the relevant pin-shared control bits should be properly configured. However, the PGA input can be also supplied from the internal independent reference voltage, V_{BGR} . If the application program selects the external voltage on the VREFI pin and an internal voltage V_{BGR} as PGA input simultaneously, then the hardware will only choose the internal voltage V_{BGR} as PGA input.

SAVRS[1:0]	Reference	Description
00	AV_{DD}	Internal A/D converter power supply voltage
01	VREF pin	External A/D converter reference pin VREF
1x	V_R	Internal A/D converter PGA output voltage

A/D Converter Reference Voltage Selection

• VBGR Register

Bit	7	6	5	4	3	2	1	0
Name	—	—	—	—	—	—	—	VBGREN
R/W	—	—	—	—	—	—	—	R/W
POR	—	—	—	—	—	—	—	0

Bit 7~1 Unimplemented, read as “0”

Bit 0 **VBGREN**: Independent reference bandgap enable/disable control

0: Disable

1: Enable

When the VBGREN bit is cleared to zero, the V_{BGR} is in a high impedance state.

A/D Converter Input Signals

All the external A/D analog channel input pins are pin-shared with the I/O pins as well as other functions. The corresponding control bits for each A/D external input pin in the PxS0 and PxS1 registers determine whether the input pins are setup as A/D converter analog inputs or whether they have other functions. If the pin is setup to be as an A/D analog channel input, the original pin functions will be disabled. In this way, pins can be changed under program control to change their function between A/D inputs and other functions. All pull high resistors, which are setup through register programming, will be automatically disconnected if the pins are setup as A/D inputs. Note that it is not necessary to first setup the A/D pin as an input in the port control register to enable the A/D input as when the pin-shared function control bits enable an A/D input, the status of the port control register will be overridden.

If the SAINS3~SAINS0 bits are set to “0000”, “0100”, or “1100~1111”, the external analog channel input is selected to be converted and the SACS3~SACS0 bits can determine which actual external channel is selected to be converted. If the SAINS3~SAINS0 bits are set to “0001~0011”, the AV_{DD} voltage with a specific ratio of 1, 1/2 or 1/4 is selected to be converted. If the SAINS3~SAINS0 bits are set to “0101~0111”, the PGA output voltage with a specific ratio of 1, 1/2 or 1/4 is selected to be converted. Note that when the programs select external signal (AN0~AN15) and internal signal (AV_{DD} , $AV_{DD}/2$, $AV_{DD}/4$, V_R , $V_R/2$ or $V_R/4$) as an A/D converter input signal simultaneously, then the hardware will only choose the internal signal as an A/D converter input, the external analog signal will be switched off automatically.

SAINS[3:0]	SACS[3:0]	Input Signals	Description
0000, 0100, 1100~1111	0000~0111	AN0~AN7 (For HT66FB572)	External pin analog input
	0000~1011	AN0~AN11 (For HT66FB574)	
	0000~1111	AN0~AN15 (For HT66FB576)	
0001	xxxx	AV_{DD}	Internal A/D converter power supply voltage
0010	xxxx	$AV_{DD}/2$	Internal A/D converter power supply voltage/2
0011	xxxx	$AV_{DD}/4$	Internal A/D converter power supply voltage/4
0101	xxxx	V_R	Internal A/D converter PGA output voltage
0110	xxxx	$V_R/2$	Internal A/D converter PGA output voltage/2
0111	xxxx	$V_R/4$	Internal A/D converter PGA output voltage/4
1000~1011	xxxx	—	Reserved, connected to ground

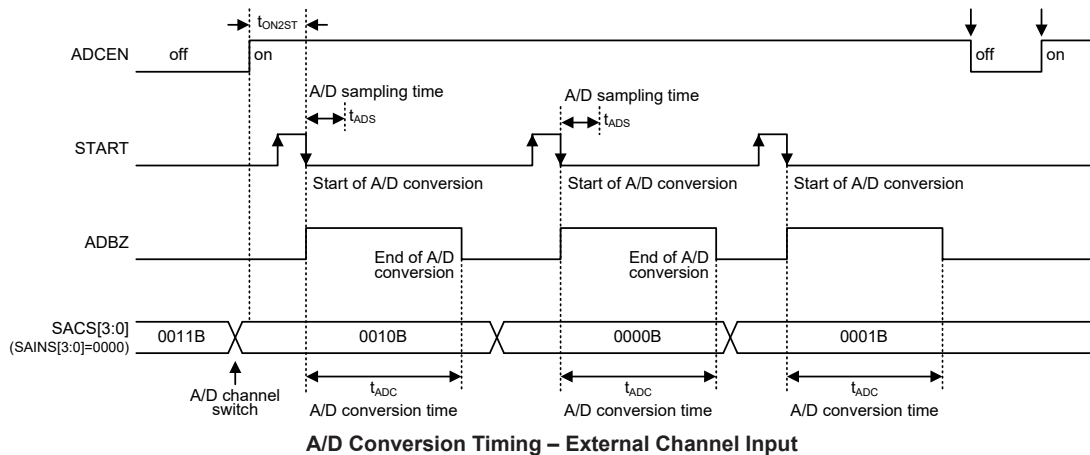
A/D Converter Input Signal Selection

Conversion Rate and Timing Diagram

A complete A/D conversion contains two parts, data sampling and data conversion. The data sampling which is defined as t_{ADS} takes 4 A/D clock cycles and the data conversion takes 12 A/D clock periods. Therefore a total of 16 A/D clock cycles for an external input A/D conversion which is defined as t_{ADC} are necessary.

$$\text{Maximum single A/D conversion rate} = 1/(\text{A/D clock period} \times 16)$$

The accompanying diagram shows graphically the various stages involved in an analog to digital conversion process and its associated timing. After an A/D conversion process has been initiated by the application program, the microcontroller internal hardware will begin to carry out the conversion, during which time the program can continue with other functions. The time taken for the A/D conversion is $16 t_{ADCK}$ where t_{ADCK} is equal to the A/D clock period.



Summary of A/D Conversion Steps

The following summarises the individual steps that should be executed in order to implement an A/D conversion process.

- Step 1
Select the required A/D conversion clock by correctly programming bits SACKS2~SACKS0 in the SADC1 register.
- Step 2
Enable the A/D by setting the ADCEN bit in the SADC0 register to one.
- Step 3
Select which signal is to be connected to the internal A/D converter by correctly configuring the SAINS3~SAINS0 bits in the SADC1 register.
Select the external channel input to be converted, go to Step 4.
Select the internal analog signal to be converted, go to Step 5.
- Step 4
If the A/D input signal comes from the external channel input selected by configuring the SAINS bit field, the corresponding pins should be configured as A/D input function by configuring the relevant pin-shared function control bits. The desired analog channel then should be selected by configuring the SACS bit field. After this step, go to Step 6.
- Step 5
If the A/D input signal comes from the internal analog signal, the SAINS bit field should be properly configured and then the external channel input will automatically be disconnected regardless of the SACS bit field value. After this step, go to Step 6.
- Step 6
Select the reference voltage source by configuring the SAVRS1~SAVRS0 bits in the SADC2 register. If the PGA output voltage is selected, the PGA must be enabled and then select the PGA input source by configuring the PGAIS bit in the SADC2 register.
- Step 7
Select A/D converter output data format by setting the ADRFS bit in the SADC0 register.
- Step 8
If A/D conversion interrupt is used, the interrupt control registers must be correctly configured to ensure the A/D interrupt function is active. The master interrupt control bit, EMI, and the A/D conversion interrupt control bit, ADE, must both be set high in advance.

- Step 9
The A/D conversion procedure can now be initialized by setting the START bit from low to high and then low again.
- Step 10
If A/D conversion is in progress, the ADBZ flag will be set high. After the A/D conversion process is complete, the ADBZ flag will go low and then the output data can be read from SADOH and SADOL registers.

Note: When checking for the end of the conversion process, if the method of polling the ADBZ bit in the SADC0 register is used, the interrupt enable step above can be omitted.

Programming Considerations

During microcontroller operations where the A/D converter is not being used, the A/D internal circuitry can be switched off to reduce power consumption, by clearing bit ADCEN to 0 in the SADC0 register. When this happens, the internal A/D converter circuits will not consume power irrespective of what analog voltage is applied to their input lines. If the A/D converter input lines are used as normal I/Os, then care must be taken as if the input voltage is not at a valid logic level, then this may lead to some increase in power consumption.

A/D Conversion Function

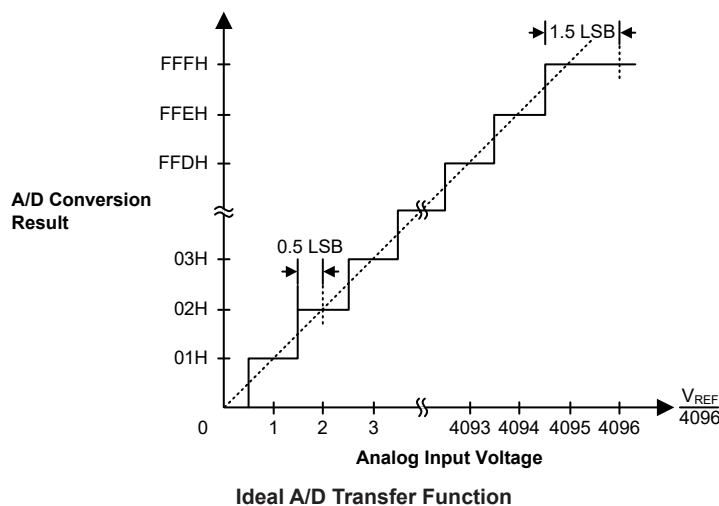
As the devices contain a 12-bit A/D converter, its full-scale converted digitised value is equal to 0FFFH. Since the full-scale analog input value is equal to the actual A/D converter reference voltage, V_{REF} , this gives a single bit analog input value of $V_{REF} \div 4096$.

$$1 \text{ LSB} = V_{REF} \div 4096$$

The A/D Converter input voltage value can be calculated using the following equation:

$$\text{A/D input voltage} = \text{A/D output digital value} \times (V_{REF} \div 4096)$$

The diagram shows the ideal transfer function between the analog input value and the digitised output value for the A/D converter. Except for the digitised zero value, the subsequent digitised values will change at a point 0.5 LSB below where they would change without the offset, and the last full scale digitised value will change at a point 1.5 LSB below the V_{REF} level. Note that here the V_{REF} voltage is the actual A/D converter reference voltage determined by the SAVRS field.



A/D Conversion Programming Examples

The following two programming examples illustrate how to setup and implement an A/D conversion. In the first example, the method of polling the ADBZ bit in the SADC0 register is used to detect when the conversion cycle is complete, whereas in the second example, the A/D interrupt is used to determine when the conversion is complete.

Example: Using an ADBZ polling method to detect the end of conversion

```

clr ADE                ; disable ADC interrupt
mov a,03H
mov SADC1,a           ; select fsys/8 as A/D clock
set ADCEN
mov a,03h             ; setup PBS0 to configure pin AN0
mov PBS0,a
mov a,20h
mov SADC0,a
mov a,00h
mov SADC2,a           ; enable and connect AN0 channel to A/D converter
:
:
start_conversion:
clr START             ; high pulse on start bit to initiate conversion
set START             ; reset A/D
clr START             ; start A/D
polling_EOC:
sz ADBZ               ; poll the SADC0 register ADBZ bit to detect end of A/D conversion
jmp polling_EOC       ; continue polling
mov a,SADOL            ; read low byte conversion result value
mov SADOL_buffer,a    ; save result to user defined register
mov a,SAD0H            ; read high byte conversion result value
mov SADOH_buffer,a    ; save result to user defined register
:
:
jmp start_conversion  ; start next A/D conversion

```

Example: Using the interrupt method to detect the end of conversion

```

clr ADE                ; disable ADC interrupt
mov a,03H
mov SADC1,a           ; select fsys/8 as A/D clock
set ADCEN
mov a,03h             ; setup PBS0 to configure pin AN0
mov PBS0,a
mov a,20h
mov SADC0,a
mov a,00h
mov SADC2,a           ; enable and connect AN0 channel to A/D converter
:
:
start_conversion:
clr START             ; high pulse on START bit to initiate conversion
set START             ; reset A/D
clr START             ; start A/D
clr ADF               ; clear ADC interrupt request flag
set ADE               ; enable ADC interrupt
set EMI               ; enable global interrupt
:
:

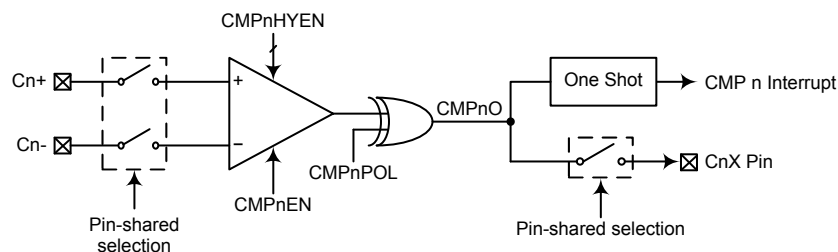
```

```

; ADC interrupt service routine
ADC_ISR:
mov acc_stack,a      ; save ACC to user defined memory
mov a,STATUS
mov status_stack,a   ; save STATUS to user defined memory
:
:
mov a,SADOL          ; read low byte conversion result value
mov SADOL_buffer,a   ; save result to user defined register
mov a,SADOH          ; read high byte conversion result value
mov SADOH_buffer,a   ; save result to user defined register
:
:
EXIT_INT_ISR:
mov a,status_stack
mov STATUS,a        ; restore STATUS from user defined memory
mov a,acc_stack     ; restore ACC from user defined memory
reti
    
```

Comparators

Two independent analog comparators are contained within the devices. These functions offer flexibility via their register controlled features such as power-down, polarity select, hysteresis etc. In sharing their pins with normal I/O pins the comparators do not waste precious I/O pins if there functions are otherwise unused.



Comparators (n=0~1)

Comparator Operation

The devices contain two comparator functions which are used to compare two analog voltages and provide an output based on their difference.

Any pull-high resistors connected to the shared comparator input pins will be automatically disconnected when the comparator is enabled. As the comparator inputs approach their switching level, some spurious output signals may be generated on the comparator output due to the slow rising or falling nature of the input signals. This can be minimised by selecting the hysteresis function will apply a small amount of positive feedback to the comparator. Ideally the comparator should switch at the point where the positive and negative inputs signals are at the same voltage level. However, unavoidable input offsets introduce some uncertainties here. The hysteresis function, if enabled, also increases the switching offset value.

Comparator Registers

Full control over each internal comparator is provided via the control register, CMPnC. The comparator output is recorded via a bit in their respective control register, but can also be transferred out onto a shared I/O pin. Additional comparator functions include output polarity, hysteresis functions and power down control.

• CMPnC Register (n=0~1)

Bit	7	6	5	4	3	2	1	0
Name	—	CMPnEN	CMPnPOL	CMPnO	—	—	—	CMPnHYEN
R/W	—	R/W	R/W	R	—	—	—	R/W
POR	—	0	0	0	—	—	—	1

Bit 7 Unimplemented, read as “0”

Bit 6 **CMPnEN**: Comparator n enable control
 0: Disable
 1: Enable

This is the Comparator n on/off control bit. If the bit is zero the comparator n will be switched off and no power consumed even if analog voltages are applied to its inputs. For power sensitive applications this bit should be cleared to zero if the comparator n is not used or before the devices enter the SLEEP or IDLE mode. Note that the comparator n output will be set low when this bit is cleared to zero.

Bit 5 **CMPnPOL**: Comparator n output polarity control
 0: Output is not inverted
 1: Output is inverted

This is the comparator n polarity control bit. If the bit is zero then the comparator n output bit, CMPnO, will reflect the non-inverted output condition of the comparator n. If the bit is high the comparator n output bit will be inverted.

Bit 4 **CMPnO**: Comparator n output bit
 If CMPnPOL=0,
 0: $Cn+ < Cn-$
 1: $Cn+ > Cn-$
 If CMPnPOL=1,
 0: $Cn+ > Cn-$
 1: $Cn+ < Cn-$

This bit stores the comparator n output bit. The polarity of the bit is determined by the voltages on the comparator n inputs and by the condition of the CMPnPOL bit.

Bit 3~1 Unimplemented, read as “0”

Bit 0 **CMPnHYEN**: Comparator n hysteresis enable control
 0: Disable
 1: Enable

This is the comparator n hysteresis enable control bit and if set high will apply a limited amount of hysteresis to the comparator, as specified in the Comparator Electrical Characteristics table. The positive feedback induced by hysteresis reduces the effect of spurious switching near the comparator threshold.

Comparator Interrupt

Each comparator also possesses its own interrupt function. When any one of the output bits changes state, its relevant interrupt flag will be set, and if the corresponding interrupt enable bit is set, then a jump to its relevant interrupt vector will be executed. Note that it is the changing state of the CMPnO bit and not the output pin which generates an interrupt. If the microcontroller is in the SLEEP or IDLE Mode and the Comparator is enabled, then if the external input lines cause the Comparator output bit to change state, the resulting generated interrupt flag will also generate a wake-up. If it is required to disable a wake-up from occurring, then the interrupt flag should be first set high before entering the SLEEP or IDLE Mode.

Programming Considerations

If the comparator is enabled, it will remain active when the microcontroller enters the SLEEP or IDLE Mode, however as it will consume a certain amount of power, the user may wish to consider disabling it before the SLEEP or IDLE Mode is entered.

As comparator pins are shared with normal I/O pins the I/O registers for these pins will be read as zero (port control register is "1") or read as port data register value (port control register is "0") if the comparator function is enabled.

Serial Interface Module – SIM

The devices contain a Serial Interface Module, which includes both the four line SPI interface and the two line I²C interface types, to allow an easy method of communication with external peripheral hardware. Having relatively simple communication protocols, these serial interface types allow the microcontroller to interface to external SPI or I²C based hardware such as sensors, Flash or EEPROM memory, etc. The SIM interface pins are pin-shared with other I/O pins therefore the SIM interface functional pins must first be selected using the corresponding pin-shared function selection bits. As both interface types share the same pins and registers, the choice of whether the SPI or I²C type is used is made using the SIM operating mode control bits, named SIM2~SIM0, in the SIMC0 register. These pull-high resistors of the SIM pin-shared I/O are selected using pull-high control registers when the SIM function is enabled and the corresponding pins are used as SIM input pins.

SPI Interface

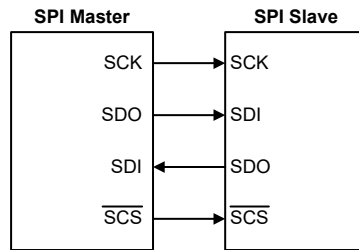
This SPI interface function, which is part of the Serial Interface Module, should not be confused with the other independent SPI function, which is described in another section of this datasheet.

The SPI interface is often used to communicate with external peripheral devices such as sensors, Flash or EEPROM memory devices etc. Originally developed by Motorola, the four line SPI interface is a synchronous serial data interface that has a relatively simple communication protocol simplifying the programming requirements when communicating with external hardware devices.

The communication is full duplex and operates as a slave/master type, where the devices can be either master or slave. Although the SPI interface specification can control multiple slave devices from a single master, but the devices provide only one \overline{SCS} pin. If the master needs to control multiple slave devices from a single master, the master can use I/O pin to select the slave devices.

SPI Interface Operation

The SPI interface is a full duplex synchronous serial data link. It is a four line interface with pin names SDI, SDO, SCK and $\overline{\text{SCS}}$. Pins SDI and SDO are the Serial Data Input and Serial Data Output lines, the SCK pin is the Serial Clock line and $\overline{\text{SCS}}$ is the Slave Select line. As the SPI interface pins are pin-shared with normal I/O pins and with the I²C function pins, the SPI interface pins must first be selected by configuring the pin-shared function selection bits and setting the correct bits in the SIMC0 and SIMC2 registers. Communication between devices connected to the SPI interface is carried out in a slave/master mode with all data transfer initiations being implemented by the master. The Master also controls the clock signal. As the devices only contain a single $\overline{\text{SCS}}$ pin only one slave device can be utilized. The $\overline{\text{SCS}}$ pin is controlled by software, set CSEN bit to 1 to enable $\overline{\text{SCS}}$ pin function, set CSEN bit to 0 the $\overline{\text{SCS}}$ pin will be floating state.

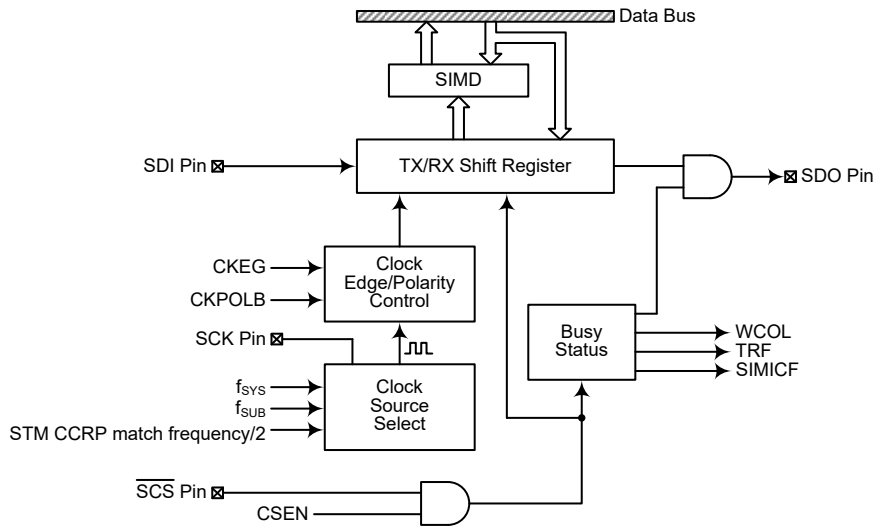


SPI Master/Slave Connection

The SPI function in the devices offers the following features:

- Full duplex synchronous data transfer
- Both Master and Slave modes
- LSB first or MSB first data transmission modes
- Transmission complete flag
- Rising or falling active clock edge

The status of the SPI interface pins is determined by a number of factors such as whether the devices are in the master or slave mode and upon the condition of certain control bits such as CSEN and SIMEN.



SPI Block Diagram

SPI Registers

There are three internal registers which control the overall operation of the SPI interface. These are the SIMD data register and two control registers, SIMC0 and SIMC2.

Register Name	Bit							
	7	6	5	4	3	2	1	0
SIMC0	SIM2	SIM1	SIM0	—	SIMDEB1	SIMDEB0	SIMEN	SIMICF
SIMC2	D7	D6	CKPOLB	CKEG	MLS	CSEN	WCOL	TRF
SIMD	D7	D6	D5	D4	D3	D2	D1	D0

SPI Registers List

SPI Data Register

The SIMD register is used to store the data being transmitted and received. The same register is used by both the SPI and I²C functions. Before the devices write data to the SPI bus, the actual data to be transmitted must be placed in the SIMD register. After the data is received from the SPI bus, the devices can read it from the SIMD register. Any transmission or reception of data from the SPI bus must be made via the SIMD register.

• SIMD Register

Bit	7	6	5	4	3	2	1	0
Name	D7	D6	D5	D4	D3	D2	D1	D0
R/W	R/W	R/W	R/W	R/W	R/W	R/W	R/W	R/W
POR	x	x	x	x	x	x	x	x

“x”: unknown

Bit 7~0 **D7~D0**: SIM data register bit 7 ~ bit 0

SPI Control Registers

There are also two control registers for the SPI interface, SIMC0 and SIMC2. Note that the SIMC2 register also has the name SIMA which is used by the I²C function. The SIMC0 register is used to control the enable/disable function and to set the data transmission clock frequency. The SIMC2 register is used for other control functions such as LSB/MSB selection, write collision flag etc.

• SIMC0 Register

Bit	7	6	5	4	3	2	1	0
Name	SIM2	SIM1	SIM0	—	SIMDEB1	SIMDEB0	SIMEN	SIMICF
R/W	R/W	R/W	R/W	—	R/W	R/W	R/W	R/W
POR	1	1	1	—	0	0	0	0

Bit 7~5 **SIM2~SIM0**: SIM Operating Mode Control
 000: SPI master mode; SPI clock is $f_{SYS}/4$
 001: SPI master mode; SPI clock is $f_{SYS}/16$
 010: SPI master mode; SPI clock is $f_{SYS}/64$
 011: SPI master mode; SPI clock is f_{SUB}
 100: SPI master mode; SPI clock is STM CCRP match frequency/2
 101: SPI slave mode
 110: I²C slave mode
 111: Unused mode

These bits setup the overall operating mode of the SIM function. As well as selecting if the I²C or SPI function, they are used to control the SPI Master/Slave selection and the SPI Master clock frequency. The SPI clock is a function of the system clock but can also be chosen to be sourced from STM and f_{SUB} . If the SPI Slave Mode is selected then the clock will be supplied by an external Master device.

- Bit 4 Unimplemented, read as “0”
- Bit 3~2 **SIMDEB1~SIMDEB0**: I²C Debounce Time Selection
 These bits are only used for the I²C mode of SIM and are described in the I²C registers section.
- Bit 1 **SIMEN**: SIM Enable Control
 0: Disable
 1: Enable
 The bit is the overall on/off control for the SIM interface. When the SIMEN bit is cleared to zero to disable the SIM interface, the SDI, SDO, SCK and \overline{SCS} , or SDA and SCL lines will lose their SPI or I²C function and the SIM operating current will be reduced to a minimum value. When the bit is high the SIM interface is enabled. If the SIM is configured to operate as an SPI interface via the SIM2~SIM0 bits, the contents of the SPI control registers will remain at the previous settings when the SIMEN bit changes from low to high and should therefore be first initialised by the application program. If the SIM is configured to operate as an I²C interface via the SIM2~SIM0 bits and the SIMEN bit changes from low to high, the contents of the I²C control bits such as HTX and TXAK will remain at the previous settings and should therefore be first initialised by the application program while the relevant I²C flags such as HCF, HAAS, HBB, SRW and RXAK will be set to their default states.
- Bit 0 **SIMICF**: SIM SPI Incomplete Flag
 0: SIM SPI incomplete condition is not occurred
 1: SIM SPI incomplete condition is occurred
 This bit is only available when the SIM is configured to operate in an SPI slave mode. If the SPI operates in the slave mode with the SIMEN and CSEN bits both being set to 1 but the SCS line is pulled high by the external master device before the SPI data transfer is completely finished, the SIMICF bit will be set to 1 together with the TRF bit. When this condition occurs, the corresponding interrupt will occur if the interrupt function is enabled. However, the TRF bit will not be set to 1 if the SIMICF bit is set to 1 by software application program.

• **SIMC2 Register**

Bit	7	6	5	4	3	2	1	0
Name	D7	D6	CKPOLB	CKEG	MLS	CSEN	WCOL	TRF
R/W	R/W	R/W	R/W	R/W	R/W	R/W	R/W	R/W
POR	0	0	0	0	0	0	0	0

- Bit 7~6 **D7~D6**: Undefined bits
 These bits can be read or written by the application program.
- Bit 5 **CKPOLB**: SPI clock line base condition selection
 0: The SCK line will be high when the clock is inactive
 1: The SCK line will be low when the clock is inactive
 The CKPOLB bit determines the base condition of the clock line, if the bit is high, then the SCK line will be low when the clock is inactive. When the CKPOLB bit is low, then the SCK line will be high when the clock is inactive.
- Bit 4 **CKEG**: SPI SCK clock active edge type selection
 CKPOLB=0
 0: SCK is high base level and data capture at SCK rising edge
 1: SCK is high base level and data capture at SCK falling edge
 CKPOLB=1
 0: SCK is low base level and data capture at SCK falling edge
 1: SCK is low base level and data capture at SCK rising edge

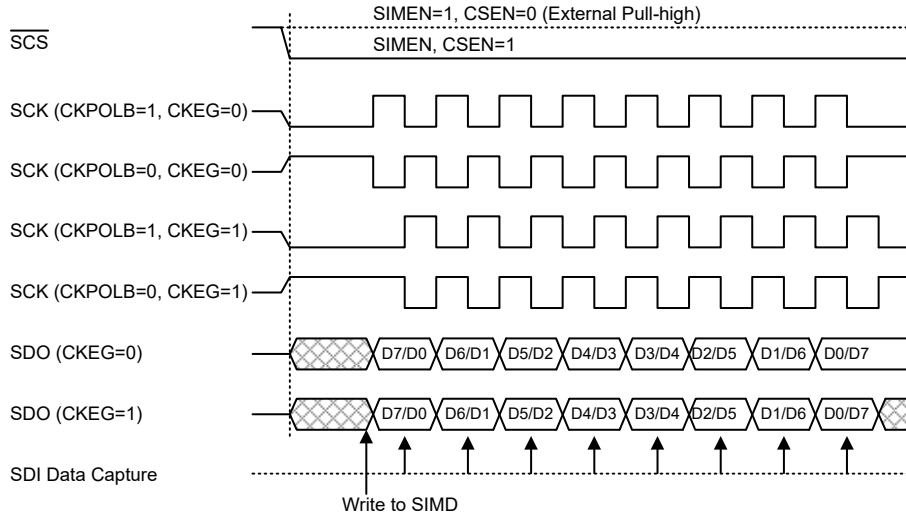
The CKEG and CKPOLB bits are used to setup the way that the clock signal outputs and inputs data on the SPI bus. These two bits must be configured before data transfer is executed otherwise an erroneous clock edge may be generated. The CKPOLB bit determines the base condition of the clock line, if the bit is high, then the SCK line will be low when the clock is inactive. When the CKPOLB bit is low, then the SCK line will be high when the clock is inactive. The CKEG bit determines active clock edge type which depends upon the condition of CKPOLB bit.

- Bit 3 **MLS**: SPI data shift order
0: LSB first
1: MSB first
This is the data shift select bit and is used to select how the data is transferred, either MSB or LSB first. Setting the bit high will select MSB first and low for LSB first.
- Bit 2 **CSEN**: SPI \overline{SCS} pin control
0: Disable
1: Enable
The CSEN bit is used as an enable/disable for the \overline{SCS} pin. If this bit is low, then the \overline{SCS} pin will be disabled and placed into a floating condition. If the bit is high the \overline{SCS} pin will be enabled and used as a select pin.
- Bit 1 **WCOL**: SPI write collision flag
0: No collision
1: Collision
The WCOL flag is used to detect if a data collision has occurred. If this bit is high it means that data has been attempted to be written to the SIMD register during a data transfer operation. This writing operation will be ignored if data is being transferred. The bit can be cleared by the application program.
- Bit 0 **TRF**: SPI Transmit/Receive complete flag
0: SPI data is being transferred
1: SPI data transmission is completed
The TRF bit is the Transmit/Receive Complete flag and is set “1” automatically when an SPI data transmission is completed, but must set to “0” by the application program. It can be used to generate an interrupt.

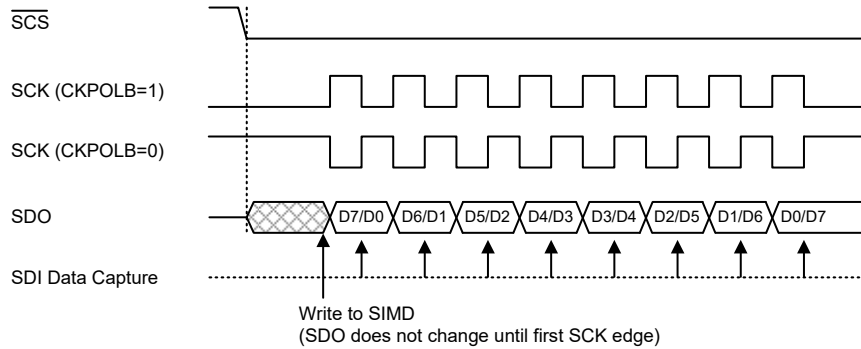
SPI Communication

After the SPI interface is enabled by setting the SIMEN bit high, then in the Master Mode, when data is written to the SIMD register, transmission/reception will begin simultaneously. When the data transfer is complete, the TRF flag will be set automatically, but must be cleared using the application program. In the Slave Mode, when the clock signal from the master has been received, any data in the SIMD register will be transmitted and any data on the SDI pin will be shifted into the SIMD register. The master should output an \overline{SCS} signal to enable the slave devices before a clock signal is provided. The slave data to be transferred should be well prepared at the appropriate moment relative to the \overline{SCS} signal depending upon the configurations of the CKPOLB bit and CKEG bit. The accompanying timing diagram shows the relationship between the slave data and \overline{SCS} signal for various configurations of the CKPOLB and CKEG bits.

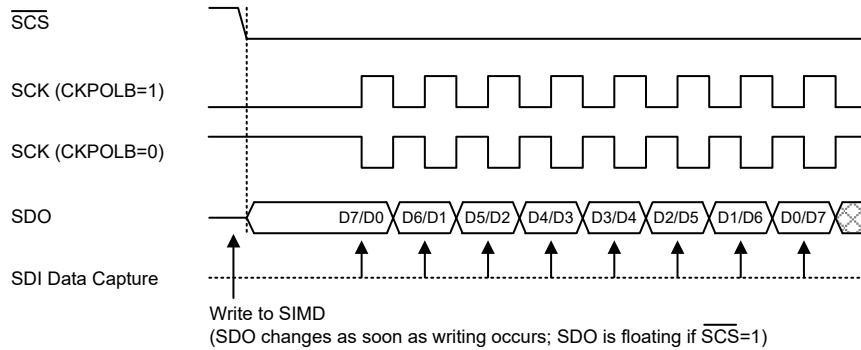
The SPI will continue to function in special IDLE Modes if the clock source used by the SPI interface is still active.



SPI Master Mode Timing

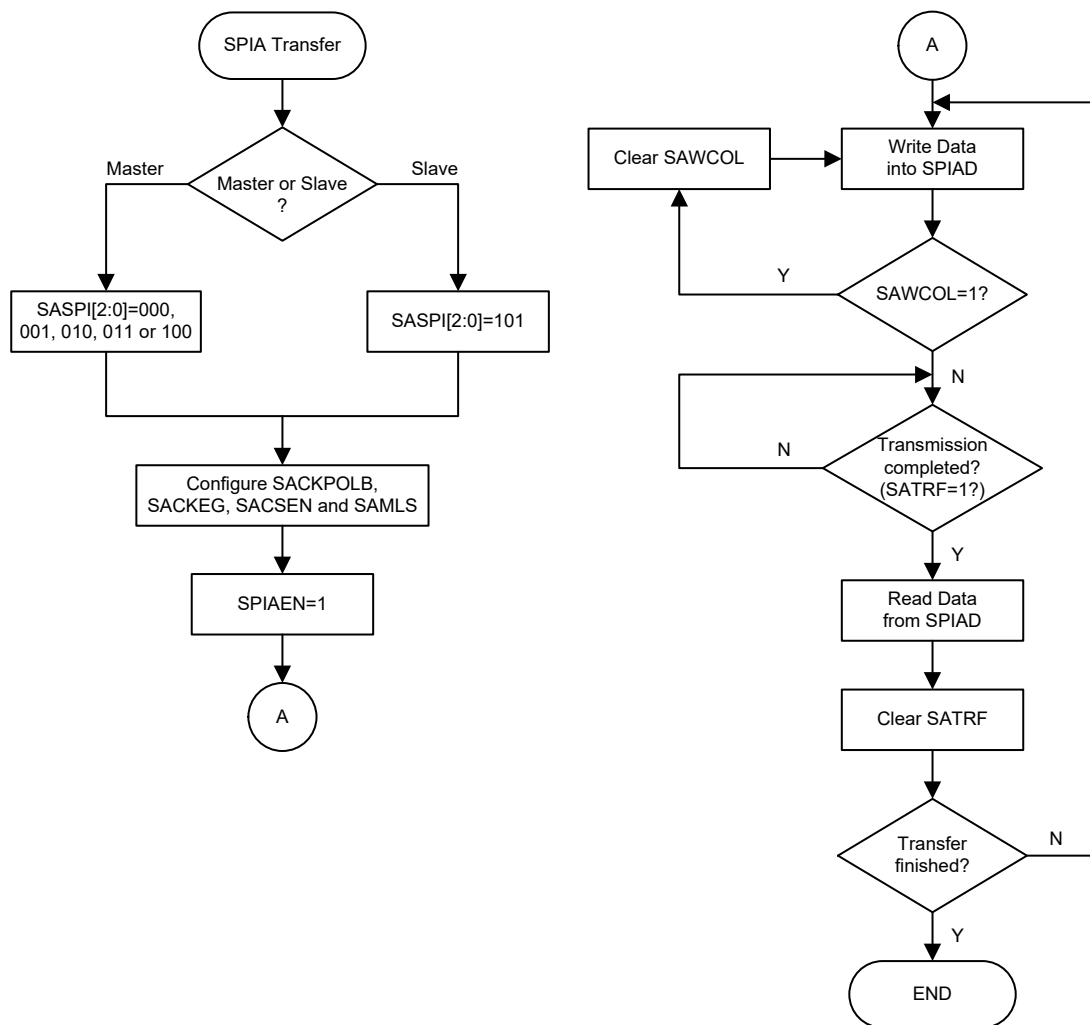


SPI Slave Mode Timing – CKEG=0



SPI Slave Mode Timing – CKEG=1

Note: For SPI slave mode, if SIMEN=1 and CSEN=0, SPI is always enabled and ignores the \overline{SCS} level.



SPI Transfer Control Flowchart

SPI Bus Enable/Disable

To enable the SPI bus, set CSEN=1 and \overline{SCS} =0, then wait for data to be written into the SIMD (TXRX buffer) register. For the Master Mode, after data has been written to the SIMD (TXRX buffer) register, then transmission or reception will start automatically. When all the data has been transferred, the TRF bit should be set. For the Slave Mode, when clock pulses are received on SCK, data in the TXRX buffer will be shifted out or data on SDI will be shifted in.

When the SPI bus is disabled, SCK, SDI, SDO and \overline{SCS} will become I/O pins or the other functions by configuring the corresponding pin-shared control bits.

SPI Operation

All communication is carried out using the 4-line interface for either Master or Slave Mode.

The CSEN bit in the SIMC2 register controls the overall function of the SPI interface. Setting this bit high will enable the SPI interface by allowing the \overline{SCS} line to be active, which can then be used to control the SPI interface. If the CSEN bit is low, the SPI interface will be disabled and the \overline{SCS} line will be in a floating condition and can therefore not be used for control of the SPI interface. If the CSEN bit and the SIMEN bit in the SIMC0 are set high, this will place the SDI line in a

floating condition and the SDO line high. If in Master Mode the SCK line will be either high or low depending upon the clock polarity selection bit CKPOLB in the SIMC2 register. If in Slave Mode the SCK line will be in a floating condition. If the SIMEN bit is low, then the bus will be disabled and \overline{SCS} , SDI, SDO and SCK will all become I/O pins or the other functions. In the Master Mode the Master will always generate the clock signal. The clock and data transmission will be initiated after data has been written into the SIMD register. In the Slave Mode, the clock signal will be received from an external master device for both data transmission and reception. The following sequences show the order to be followed for data transfer in both Master and Slave Mode.

Master Mode

- Step 1
Select the SPI Master mode and clock source using the SIM2~SIM0 bits in the SIMC0 control register.
- Step 2
Setup the CSEN bit and setup the MLS bit to choose if the data is MSB or LSB first, this setting must be the same with the Slave devices.
- Step 3
Setup the SIMEN bit in the SIMC0 control register to enable the SPI interface.
- Step 4
For write operations: write the data to the SIMD register, which will actually place the data into the TXRX buffer. Then use the SCK and \overline{SCS} lines to output the data. After this, go to step5.
For read operations: the data transferred in on the SDI line will be stored in the TXRX buffer until all the data has been received at which point it will be latched into the SIMD register.
- Step 5
Check the WCOL bit if set high then a collision error has occurred so return to step 4. If equal to zero then go to the following step.
- Step 6
Check the TRF bit or wait for a SPI serial bus interrupt.
- Step 7
Read data from the SIMD register.
- Step 8
Clear TRF.
- Step 9
Go to step 4.

Slave Mode

- Step 1
Select the SPI Slave mode using the SIM2~SIM0 bits in the SIMC0 control register
- Step 2
Setup the CSEN bit and setup the MLS bit to choose if the data is MSB or LSB first, this setting must be the same with the Master devices.
- Step 3
Setup the SIMEN bit in the SIMC0 control register to enable the SPI interface.
- Step 4
For write operations: write the data to the SIMD register, which will actually place the data into the TXRX buffer. Then wait for the master clock SCK and \overline{SCS} signal. After this, go to step5.

For read operations: the data transferred in on the SDI line will be stored in the TXRX buffer until all the data has been received at which point it will be latched into the SIMD register.

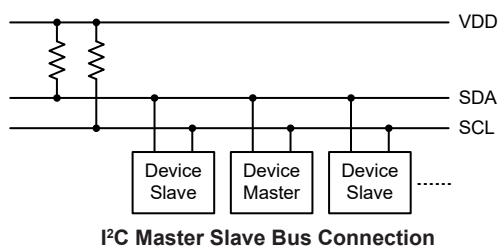
- Step 5
Check the WCOL bit if set high then a collision error has occurred so return to step 4. If equal to zero then go to the following step.
- Step 6
Check the TRF bit or wait for a SPI serial bus interrupt.
- Step 7
Read data from the SIMD register.
- Step 8
Clear TRF.
- Step 9
Go to step 4.

Error Detection

The WCOL bit in the SIMC2 register is provided to indicate errors during data transfer. The bit is set by the SPI serial Interface but must be cleared by the application program. This bit indicates a data collision has occurred which happens if a write to the SIMD register takes place during a data transfer operation and will prevent the write operation from continuing.

I²C Interface

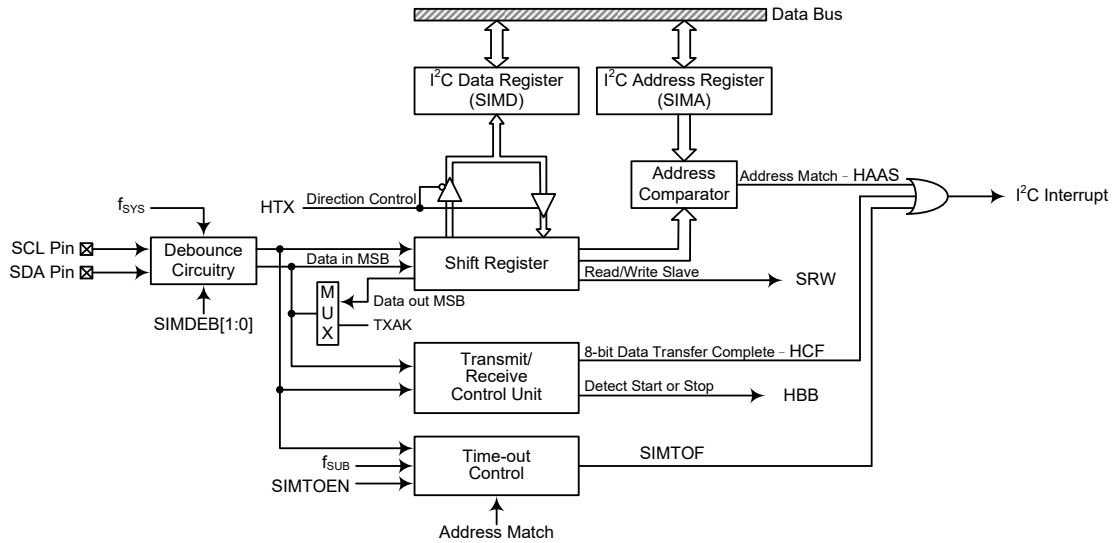
The I²C interface is used to communicate with external peripheral devices such as sensors, EEPROM memory etc. Originally developed by Philips, it is a two line low speed serial interface for synchronous serial data transfer. The advantage of only two lines for communication, relatively simple communication protocol and the ability to accommodate multiple devices on the same bus has made it an extremely popular interface type for many applications.



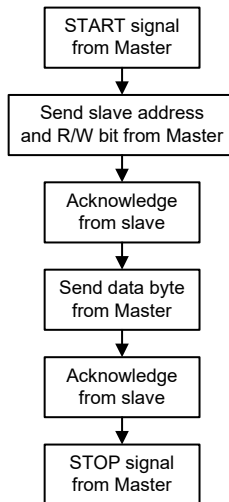
I²C Interface Operation

The I²C serial interface is a two line interface, a serial data line, SDA, and serial clock line, SCL. As many devices may be connected together on the same bus, their outputs are both open drain types. For this reason it is necessary that external pull-high resistors are connected to these outputs. Note that no chip select line exists, as each device on the I²C bus is identified by a unique address which will be transmitted and received on the I²C bus.

When two devices communicate with each other on the bidirectional I²C bus, one is known as the master device and one as the slave device. Both master and slave can transmit and receive data, however, it is the master device that has overall control of the bus. For the devices, which only operates in slave mode, there are two methods of transferring data on the I²C bus, the slave transmit mode and the slave receive mode.



I²C Block Diagram



The SIMDEB1 and SIMDEB0 bits determine the debounce time of the I²C interface. This uses the internal clock to in effect add a debounce time to the external clock to reduce the possibility of glitches on the clock line causing erroneous operation. The debounce time, if selected, can be chosen to be either 2 or 4 system clocks. To achieve the required I²C data transfer speed, there exists a relationship between the system clock, f_{SYS} , and the I²C debounce time. For either the I²C Standard or Fast mode operation, users must take care of the selected system clock frequency and the configured debounce time to match the criterion shown in the following table.

I ² C Debounce Time Selection	I ² C Standard Mode (100kHz)	I ² C Fast Mode (400kHz)
No Debounce	$f_{SYS} > 2 \text{ MHz}$	$f_{SYS} > 5 \text{ MHz}$
2 system clock debounce	$f_{SYS} > 4 \text{ MHz}$	$f_{SYS} > 10 \text{ MHz}$
4 system clock debounce	$f_{SYS} > 8 \text{ MHz}$	$f_{SYS} > 20 \text{ MHz}$

I²C Minimum f_{SYS} Frequency

I²C Registers

There are three control registers associated with the I²C bus, SIMC0, SIMC1 and SIMTOC, one address register SIMA and one data register, SIMD.

Register Name	Bit							
	7	6	5	4	3	2	1	0
SIMC0	SIM2	SIM1	SIM0	—	SIMDEB1	SIMDEB0	SIMEN	SIMICF
SIMC1	HCF	HAAS	HBB	HTX	TXAK	SRW	IAMWU	RXAK
SIMD	D7	D6	D5	D4	D3	D2	D1	D0
SIMA	A6	A5	A4	A3	A2	A1	A0	D0
SIMTOC	SIMTOEN	SIMTOF	SIMTOS5	SIMTOS4	SIMTOS3	SIMTOS2	SIMTOS1	SIMTOS0

I²C Registers List

I²C Data Register

The SIMD register is used to store the data being transmitted and received. The same register is used by both the SPI and I²C functions. Before the devices write data to the I²C bus, the actual data to be transmitted must be placed in the SIMD register. After the data is received from the I²C bus, the devices can read it from the SIMD register. Any transmission or reception of data from the I²C bus must be made via the SIMD register.

• SIMD Register

Bit	7	6	5	4	3	2	1	0
Name	D7	D6	D5	D4	D3	D2	D1	D0
R/W	R/W	R/W	R/W	R/W	R/W	R/W	R/W	R/W
POR	x	x	x	x	x	x	x	x

"x": unknown

Bit 7~0 **D7~D0**: SIM data register bit 7 ~ bit 0

I²C Address Register

The SIMA register is also used by the SPI interface but has the name SIMC2. The SIMA register is the location where the 7-bit slave address of the slave device is stored. Bits 7~1 of the SIMA register define the device slave address. Bit 0 is not defined. When a master device, which is connected to the I²C bus, sends out an address, which matches the slave address in the SIMA register, the slave device will be selected. Note that the SIMA register is the same register address as SIMC2 which is used by the SPI interface.

• SIMA Register

Bit	7	6	5	4	3	2	1	0
Name	A6	A5	A4	A3	A2	A1	A0	D0
R/W	R/W	R/W	R/W	R/W	R/W	R/W	R/W	R/W
POR	0	0	0	0	0	0	0	0

Bit 7~1 **A6~A0**: I²C slave address
A6~A0 is the I²C slave address bit 6~bit 0.

Bit 0 **D0**: Reserved bit, can be read or written

I²C Control Registers

There are three control registers for the I²C interface, SIMC0, SIMC1 and SIMTOC. The SIMC0 register is used to control the enable/disable function and to set the data transmission clock frequency. The SIMC1 register contains the relevant flags which are used to indicate the I²C communication status. Another register, SIMTOC, is used to control the I²C time-out function and described in the corresponding section.

• SIMC0 Register

Bit	7	6	5	4	3	2	1	0
Name	SIM2	SIM1	SIM0	—	SIMDEB1	SIMDEB0	SIMEN	SIMICF
R/W	R/W	R/W	R/W	—	R/W	R/W	R/W	R/W
POR	1	1	1	—	0	0	0	0

Bit 7~5 **SIM2~SIM0**: SIM Operating Mode Control
 000: SPI master mode; SPI clock is $f_{SYS}/4$
 001: SPI master mode; SPI clock is $f_{SYS}/16$
 010: SPI master mode; SPI clock is $f_{SYS}/64$
 011: SPI master mode; SPI clock is f_{SUB}
 100: SPI master mode; SPI clock is STM CCRP match frequency/2
 101: SPI slave mode
 110: I²C slave mode
 111: Unused mode

These bits setup the overall operating mode of the SIM function. As well as selecting if the I²C or SPI function, they are used to control the SPI Master/Slave selection and the SPI Master clock frequency. The SPI clock is a function of the system clock but can also be chosen to be sourced from STM and f_{SUB} . If the SPI Slave Mode is selected then the clock will be supplied by an external Master device.

Bit 4 Unimplemented, read as “0”

Bit 3~2 **SIMDEB1~SIMDEB0**: I²C Debounce Time Selection
 00: No debounce
 01: 2 system clock debounce
 1x: 4 system clock debounce

Bit 1 **SIMEN**: SIM Enable Control
 0: Disable
 1: Enable

The bit is the overall on/off control for the SIM interface. When the SIMEN bit is cleared to zero to disable the SIM interface, the SDI, SDO, SCK and \overline{SCS} , or SDA and SCL lines will lose their SPI or I²C function and the SIM operating current will be reduced to a minimum value. When the bit is high the SIM interface is enabled. If the SIM is configured to operate as an SPI interface via the SIM2~SIM0 bits, the contents of the SPI control registers will remain at the previous settings when the SIMEN bit changes from low to high and should therefore be first initialised by the application program. If the SIM is configured to operate as an I²C interface via the SIM2~SIM0 bits and the SIMEN bit changes from low to high, the contents of the I²C control bits such as HTX and TXAK will remain at the previous settings and should therefore be first initialised by the application program while the relevant I²C flags such as HCF, HAAS, HBB, SRW and RXAK will be set to their default states.

Bit 0 **SIMICF**: SIM SPI Incomplete Flag
 This bit is only used for the SPI mode of SIM and is described in the SPI registers section.

• **SIMC1 Register**

Bit	7	6	5	4	3	2	1	0
Name	HCF	HAAS	HBB	HTX	TXAK	SRW	IAMWU	RXAK
R/W	R	R	R	R/W	R/W	R	R/W	R
POR	1	0	0	0	0	0	0	1

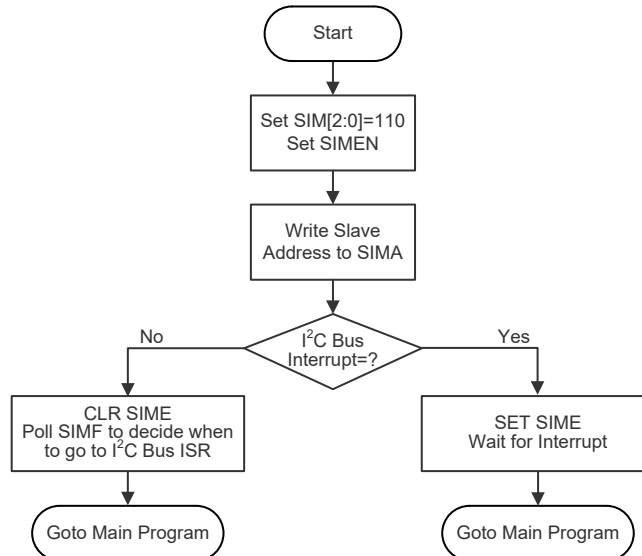
- Bit 7 HCF:** I²C Bus data transfer completion flag
 0: Data is being transferred
 1: Completion of an 8-bit data transfer
 The HCF flag is the data transfer flag. This flag will be zero when data is being transferred. Upon completion of an 8-bit data transfer the flag will go high and an interrupt will be generated.
- Bit 6 HAAS:** I²C Bus address match flag
 0: Not address match
 1: Address match
 The HAAS flag is the address match flag. This flag is used to determine if the slave device address is the same as the master transmit address. If the addresses match then this bit will be high, if there is no match then the flag will be low.
- Bit 5 HBB:** I²C Bus busy flag
 0: I²C Bus is not busy
 1: I²C Bus is busy
 The HBB flag is the I²C busy flag. This flag will be “1” when the I²C bus is busy which will occur when a START signal is detected. The flag will be set to “0” when the bus is free which will occur when a STOP signal is detected.
- Bit 4 HTX:** I²C slave device is transmitter or receiver selection
 0: Slave device is the receiver
 1: Slave device is the transmitter.
- Bit 3 TXAK:** I²C Bus transmit acknowledge flag
 0: Slave send acknowledge flag
 1: Slave do not send acknowledge flag
 The TXAK bit is the transmit acknowledge flag. After the slave device receipt of 8 bits of data, this bit will be transmitted to the bus on the 9th clock from the slave device. The slave device must always set TXAK bit to “0” before further data is received.
- Bit 2 SRW:** I²C Slave Read/Write flag
 0: Slave device should be in receive mode
 1: Slave device should be in transmit mode
 The SRW flag is the I²C Slave Read/Write flag. This flag determines whether the master device wishes to transmit or receive data from the I²C bus. When the transmitted address and slave address is match, that is when the HAAS flag is set high, the slave device will check the SRW flag to determine whether it should be in transmit mode or receive mode. If the SRW flag is high, the master is requesting to read data from the bus, so the slave device should be in transmit mode. When the SRW flag is zero, the master will write data to the bus, therefore the slave device should be in receive mode to read this data.
- Bit 1 IAMWU:** I²C Address Match Wake-up control
 0: Disable
 1: Enable
 This bit should be set to 1 to enable the I²C address match wake up from the SLEEP or IDLE Mode. If the IAMWU bit has been set before entering either the SLEEP or IDLE mode to enable the I²C address match wake up, then this bit must be cleared by the application program after wake-up to ensure correction device operation.
- Bit 0 RXAK:** I²C Bus Receive acknowledge flag
 0: Slave receive acknowledge flag
 1: Slave does not receive acknowledge flag

The RXAK flag is the receiver acknowledge flag. When the RXAK flag is “0”, it means that a acknowledge signal has been received at the 9th clock, after 8 bits of data have been transmitted. When the slave device in the transmit mode, the slave device checks the RXAK flag to determine if the master receiver wishes to receive the next byte. The slave transmitter will therefore continue sending out data until the RXAK flag is “1”. When this occurs, the slave transmitter will release the SDA line to allow the master to send a STOP signal to release the I²C Bus.

I²C Bus Communication

Communication on the I²C bus requires four separate steps, a START signal, a slave device address transmission, a data transmission and finally a STOP signal. When a START signal is placed on the I²C bus, all devices on the bus will receive this signal and be notified of the imminent arrival of data on the bus. The first seven bits of the data will be the slave address with the first bit being the MSB. If the address of the slave device matches that of the transmitted address, the HAAS bit in the SIMC1 register will be set and an I²C interrupt will be generated. After entering the interrupt service routine, the slave device must first check the condition of the HAAS and SIMTOF bits to determine whether the interrupt source originates from an address match or from the completion of an 8-bit data transfer completion or I²C bus time-out occurrence. During a data transfer, note that after the 7-bit slave address has been transmitted, the following bit, which is the 8th bit, is the read/write bit whose value will be placed in the SRW bit. This bit will be checked by the slave device to determine whether to go into transmit or receive mode. Before any transfer of data to or from the I²C bus, the microcontroller must initialise the bus, the following are steps to achieve this:

- Step 1
Set the SIM2~SIM0 and SIMEN bits in the SIMC0 register to “110” and “1” respectively to enable the I²C bus.
- Step 2
Write the slave address of the devices to the I²C bus address register SIMA.
- Step 3
Set the SIME interrupt enable bit of the interrupt control register to enable the SIM interrupt.



I²C Bus Initialisation Flow Chart

I²C Bus Start Signal

The START signal can only be generated by the master device connected to the I²C bus and not by the slave device. This START signal will be detected by all devices connected to the I²C bus. When detected, this indicates that the I²C bus is busy and therefore the HBB bit will be set. A START condition occurs when a high to low transition on the SDA line takes place when the SCL line remains high.

I²C Slave Address

The transmission of a START signal by the master will be detected by all devices on the I²C bus. To determine which slave device the master wishes to communicate with, the address of the slave device will be sent out immediately following the START signal. All slave devices, after receiving this 7-bit address data, will compare it with their own 7-bit slave address. If the address sent out by the master matches the internal address of the microcontroller slave device, then an internal I²C bus interrupt signal will be generated. The next bit following the address, which is the 8th bit, defines the read/write status and will be saved to the SRW bit of the SIMC1 register. The slave device will then transmit an acknowledge bit, which is a low level, as the 9th bit. The slave device will also set the status flag HAAS when the addresses match.

As an I²C bus interrupt can come from three sources, when the program enters the interrupt subroutine, the HAAS and SIMTOF bits should be examined to see whether the interrupt source has come from a matching slave address or from the completion of a data byte transfer or the I²C bus time-out occurrence. When a slave address is matched, the devices must be placed in either the transmit mode and then write data to the SIMD register, or in the receive mode where it must implement a dummy read from the SIMD register to release the SCL line.

I²C Bus Read/Write Signal

The SRW bit in the SIMC1 register defines whether the master device wishes to read data from the I²C bus or write data to the I²C bus. The slave device should examine this bit to determine if it is to be a transmitter or a receiver. If the SRW flag is “1” then this indicates that the master device wishes to read data from the I²C bus, therefore the slave device must be setup to send data to the I²C bus as a transmitter. If the SRW flag is “0” then this indicates that the master wishes to send data to the I²C bus, therefore the slave device must be setup to read data from the I²C bus as a receiver.

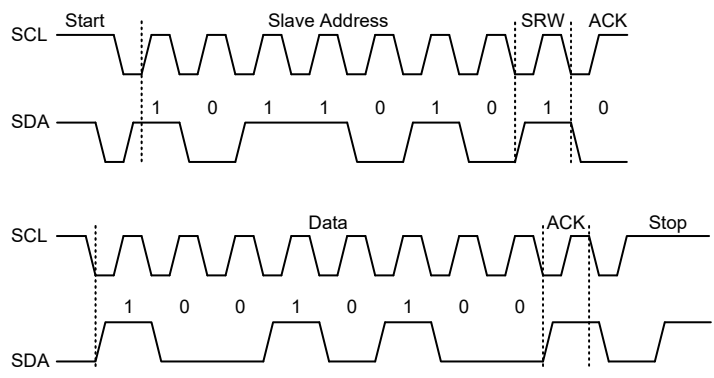
I²C Bus Slave Address Acknowledge Signal

After the master has transmitted a calling address, any slave device on the I²C bus, whose own internal address matches the calling address, must generate an acknowledge signal. The acknowledge signal will inform the master that a slave device has accepted its calling address. If no acknowledge signal is received by the master then a STOP signal must be transmitted by the master to end the communication. When the HAAS flag is high, the addresses have matched and the slave device must check the SRW flag to determine if it is to be a transmitter or a receiver. If the SRW flag is high, the slave device should be setup to be a transmitter so the HTX bit in the SIMC1 register should be set to “1”. If the SRW flag is low, then the microcontroller slave device should be setup as a receiver and the HTX bit in the SIMC1 register should be set to “0”.

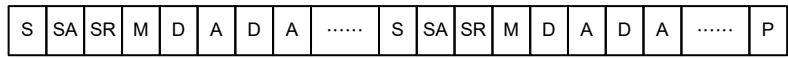
I²C Bus Data and Acknowledge Signal

The transmitted data is 8-bit wide and is transmitted after the slave device has acknowledged receipt of its slave address. The order of serial bit transmission is the MSB first and the LSB last. After receipt of 8 bits of data, the receiver must transmit an acknowledge signal, level “0”, before it can receive the next data byte. If the slave transmitter does not receive an acknowledge bit signal from the master receiver, then the slave transmitter will release the SDA line to allow the master to send a STOP signal to release the I²C Bus. The corresponding data will be stored in the SIMD register. If setup as a transmitter, the slave device must first write the data to be transmitted into the SIMD register. If setup as a receiver, the slave device must read the transmitted data from the SIMD register.

When the slave receiver receives the data byte, it must generate an acknowledge bit, known as TXAK, on the 9th clock. The slave device, which is setup as a transmitter will check the RXAK bit in the SIMC1 register to determine if it is to send another data byte, if not then it will release the SDA line and await the receipt of a STOP signal from the master.

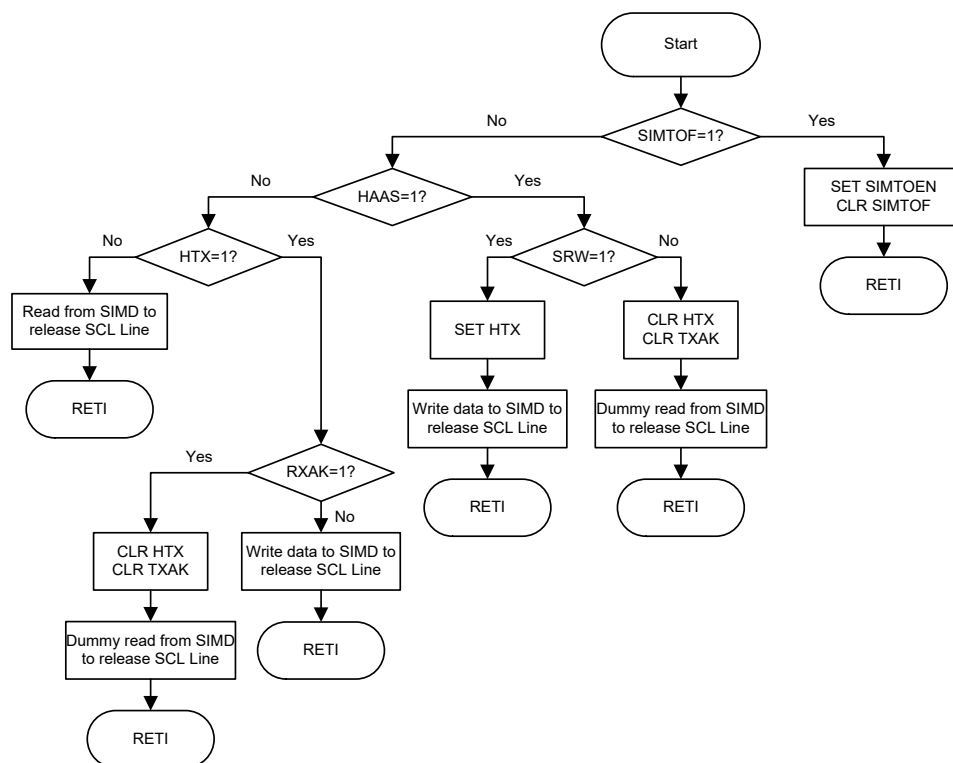


S=Start (1 bit)
 SA=Slave Address (7 bits)
 SR=SRW bit (1 bit)
 M=Slave device send acknowledge bit (1 bit)
 D=Data (8 bits)
 A=ACK (RXAK bit for transmitter, TXAK bit for receiver, 1 bit)
 P=Stop (1 bit)



I²C Communication Timing Diagram

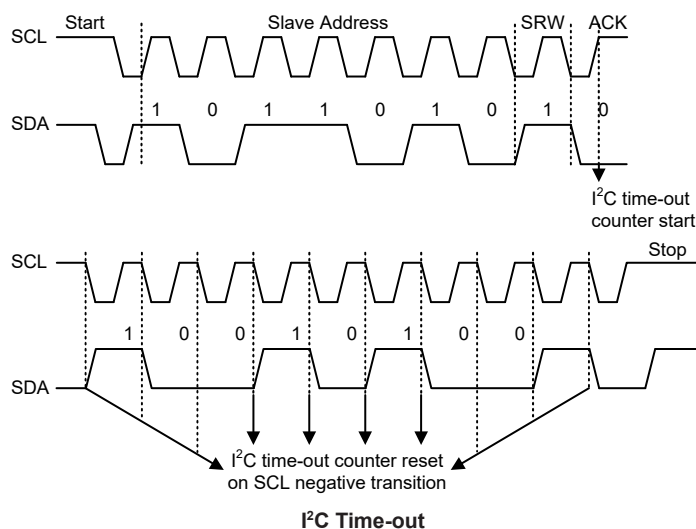
Note: *When a slave address is matched, the devices must be placed in either the transmit mode and then write data to the SIMD register, or in the receive mode where it must implement a dummy read from the SIMD register to release the SCL line.



I²C Bus ISR Flow Chart

I²C Time-out Control

In order to reduce the problem of I²C lockup due to reception of erroneous clock sources, a time-out function is provided. If the clock source to the I²C is not received for a while, then the I²C circuitry and registers will be reset after a certain time-out period. The time-out counter starts counting on an I²C bus “START” & “address match” condition, and is cleared by an SCL falling edge. Before the next SCL falling edge arrives, if the time elapsed is greater than the time-out setup by the SIMTOC register, then a time-out condition will occur. The time-out function will stop when an I²C “STOP” condition occurs.



When an I²C time-out counter overflow occurs, the counter will stop and the SIMTOEN bit will be cleared to zero and the SIMTOF bit will be set high to indicate that a time-out condition has occurred. The time-out condition will also generate an interrupt which uses the I²C interrupt vector. When an I²C time-out occurs, the I²C internal circuitry will be reset and the registers will be reset into the following condition:

Registers	After I ² C Time-out
SIMD, SIMA, SIMC0	No change
SIMC1	Reset to POR condition

I²C Registers after Time-out

The SIMTOF flag can be cleared by the application program. There are 64 time-out periods which can be selected using SIMTOS bit field in the SIMTOC register. The time-out time is given by the formula: $((1 \sim 64) \times 32) / f_{SUB}$. This gives a time-out period which ranges from about 1ms to 64ms.

• SIMTOC Register

Bit	7	6	5	4	3	2	1	0
Name	SIMTOEN	SIMTOF	SIMTOS5	SIMTOS4	SIMTOS3	SIMTOS2	SIMTOS1	SIMTOS0
R/W	R/W	R/W	R/W	R/W	R/W	R/W	R/W	R/W
POR	0	0	0	0	0	0	0	0

Bit 7 **SIMTOEN**: SIM I²C Time-out control

0: Disable
1: Enable

Bit 6 **SIMTOF**: SIM I²C Time-out flag

0: No time-out occurred
1: Time-out occurred

Bit 5~0 **SIMTOS5~SIMTOS0**: SIM I²C Time-out period selection

I²C time-out clock source is $f_{SUB}/32$.

I²C time-out time is equal to $(SIMTOS[5:0]+1) \times (32/f_{SUB})$.

Serial Peripheral Interface – SPIA

The devices contain an independent SPI function. It is important not to confuse this independent SPI function with the additional one contained within the combined SIM function, which is described in another section of this datasheet. This independent SPI function will carry the name SPIA to distinguish it from the other one in the SIM.

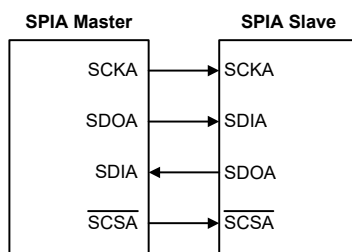
The SPIA interface is often used to communicate with external peripheral devices such as sensors, Flash or EEPROM memory devices etc. Originally developed by Motorola, the four line SPIA interface is a synchronous serial data interface that has a relatively simple communication protocol simplifying the programming requirements when communicating with external hardware devices.

The communication is full duplex and operates as a slave/master type, where the devices can be either master or slave. Although the SPIA interface specification can control multiple slave devices from a single master, however the devices provide only one \overline{SCSA} pin. If the master needs to control multiple slave devices from a single master, the master can use I/O pins to select the slave devices.

SPIA Interface Operation

The SPIA interface is a full duplex synchronous serial data link. It is a four line interface with pin names SDIA, SDOA, SCKA and $\overline{\text{SCSA}}$. Pins SDIA and SDOA are the Serial Data Input and Serial Data Output lines, the SCKA pin is the Serial Clock line and $\overline{\text{SCSA}}$ is the Slave Select line. As the SPIA interface pins are pin-shared with normal I/O pins, the SPIA interface must first be enabled by configuring the corresponding selection bits in the pin-shared function selection registers. The SPIA can be disabled or enabled using the SPIAEN bit in the SPIAC0 register. Communication between devices connected to the SPIA interface is carried out in a slave/master mode with all data transfer initiations being implemented by the master. The Master also controls the clock signal. As the devices only contain a single $\overline{\text{SCSA}}$ pin only one slave device can be utilized.

The $\overline{\text{SCSA}}$ pin is controlled by the application program, set the SACSSEN bit to “1” to enable the $\overline{\text{SCSA}}$ pin function and clear the SACSSEN bit to “0” to place the $\overline{\text{SCSA}}$ pin into a floating state.

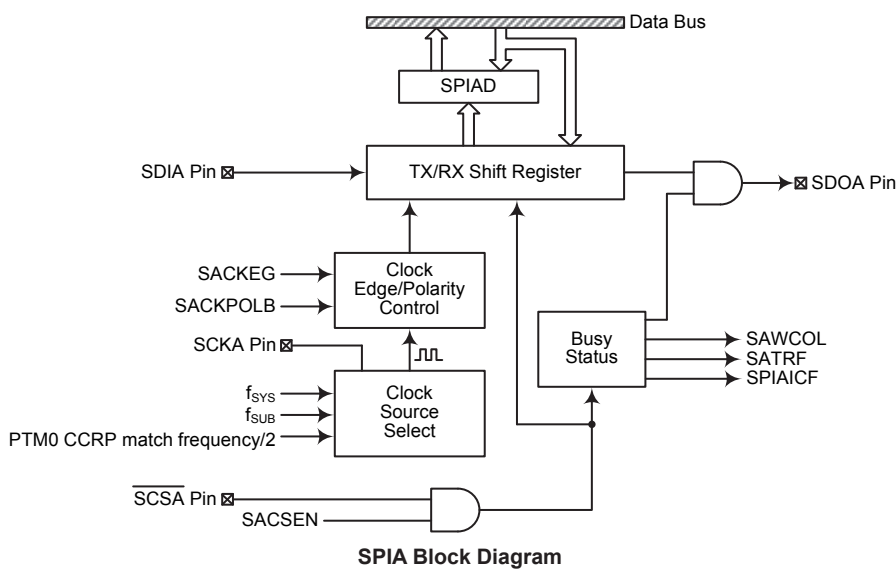


SPIA Master/Slave Connection

The SPIA function in the devices offers the following features:

- Full duplex synchronous data transfer
- Both Master and Slave modes
- LSB first or MSB first data transmission modes
- Transmission complete flag
- Rising or falling active clock edge

The status of the SPIA interface pins is determined by a number of factors such as whether the devices are in the master or slave mode and upon the condition of certain control bits such as SACSSEN and SPIAEN.



SPIA Registers

There are three internal registers which control the overall operation of the SPIA interface. These are the SPIAD data register and two registers, SPIAC0 and SPIAC1.

Register Name	Bit							
	7	6	5	4	3	2	1	0
SPIAC0	SASPI2	SASPI1	SASPI0	—	—	—	SPIAEN	SPIAICF
SPIAC1	—	—	SACKPOLB	SACKEG	SAMLS	SACSEN	SAWCOL	SATRF
SPIAD	D7	D6	D5	D4	D3	D2	D1	D0

SPIA Registers List

SPIA Data Register

The SPIAD register is used to store the data being transmitted and received. Before the devices write data to the SPIA bus, the actual data to be transmitted must be placed in the SPIAD register. After the data is received from the SPIA bus, the devices can read it from the SPIAD register. Any transmission or reception of data from the SPIA bus must be made via the SPIAD register.

• SPIAD Register

Bit	7	6	5	4	3	2	1	0
Name	D7	D6	D5	D4	D3	D2	D1	D0
R/W	R/W	R/W	R/W	R/W	R/W	R/W	R/W	R/W
POR	x	x	x	x	x	x	x	x

“x”: unknown

Bit 7~0 **D7~D0**: SPIA data register bit 7 ~ bit 0

SPIA Control Registers

There are also two control registers for the SPIA interface, SPIAC0 and SPIAC1. The SPIAC0 register is used to control the enable/disable function and to set the data transmission clock frequency. The SPIAC1 register is used for other control functions such as LSB/MSB selection, write collision flag etc.

• SPIAC0 Register

Bit	7	6	5	4	3	2	1	0
Name	SASPI2	SASPI1	SASPI0	—	—	—	SPIAEN	SPIAICF
R/W	R/W	R/W	R/W	—	—	—	R/W	R/W
POR	1	1	1	—	—	—	0	0

Bit 7~5 **SASPI2~SASPI0**: SPIA Operating Mode Control
 000: SPIA master mode; SPIA clock is $f_{SYS}/4$
 001: SPIA master mode; SPIA clock is $f_{SYS}/16$
 010: SPIA master mode; SPIA clock is $f_{SYS}/64$
 011: SPIA master mode; SPIA clock is f_{SUB}
 100: SPIA master mode; SPIA clock is PTM0 CCRP match frequency/2
 101: SPIA slave mode
 110: Unimplemented
 111: Unimplemented

These bits are used to control the SPIA Master/Slave selection and the SPIA Master clock frequency. The SPIA clock is a function of the system clock but can also be chosen to be sourced from PTM0 and f_{SUB} . If the SPIA Slave Mode is selected then the clock will be supplied by an external Master device.

Bit 4~2 Unimplemented, read as “0”

- Bit 1 **SPIAEN**: SPIA Enable Control
 0: Disable
 1: Enable
 The bit is the overall on/off control for the SPIA interface. When the SPIAEN bit is cleared to zero to disable the SPIA interface, the SDIA, SDOA, SCKA and SCSA lines will lose their SPIA function and the SPIA operating current will be reduced to a minimum value. When the bit is high the SPIA interface is enabled.
- Bit 0 **SPIAICF**: SPIA Incomplete Flag
 0: SPIA incomplete condition is not occurred
 1: SPIA incomplete condition is occurred
 This bit is only available when the SPIA is configured to operate in an SPIA slave mode. If the SPIA operates in the slave mode with the SPIAEN and SACSSEN bits both being set to 1 but the SCSA line is pulled high by the external master device before the SPIA data transfer is completely finished, the SPIAICF bit will be set to 1 together with the SATRF bit. When this condition occurs, the corresponding interrupt will occur if the interrupt function is enabled. However, the SATRF bit will not be set to 1 if the SPIAICF bit is set to 1 by software application program.

• **SPIAC1 Register**

Bit	7	6	5	4	3	2	1	0
Name	—	—	SACKPOLB	SACKEG	SAMLS	SACSSEN	SAWCOL	SATRF
R/W	—	—	R/W	R/W	R/W	R/W	R/W	R/W
POR	—	—	0	0	0	0	0	0

- Bit 7~6 Unimplemented, read as “0”
- Bit 5 **SACKPOLB**: SPIA clock line base condition selection
 0: The SCKA line will be high when the clock is inactive
 1: The SCKA line will be low when the clock is inactive
 The SACKPOLB bit determines the base condition of the clock line, if the bit is high, then the SCKA line will be low when the clock is inactive. When the SACKPOLB bit is low, then the SCKA line will be high when the clock is inactive.
- Bit 4 **SACKEG**: SPIA SCKA clock active edge type selection
 SACKPOLB=0
 0: SCKA has high base level with data capture on SCKA rising edge
 1: SCKA has high base level with data capture on SCKA falling edge
 SACKPOLB=1
 0: SCKA has low base level with data capture on SCKA falling edge
 1: SCKA has low base level with data capture on SCKA rising edge
 The SACKEG and SACKPOLB bits are used to setup the way that the clock signal outputs and inputs data on the SPIA bus. These two bits must be configured before a data transfer is executed otherwise an erroneous clock edge may be generated. The SACKPOLB bit determines the base condition of the clock line, if the bit is high, then the SCKA line will be low when the clock is inactive. When the SACKPOLB bit is low, then the SCKA line will be high when the clock is inactive. The SACKEG bit determines active clock edge type which depends upon the condition of the SACKPOLB bit.
- Bit 3 **SAMLS**: SPIA data shift order
 0: LSB first
 1: MSB first
 This is the data shift select bit and is used to select how the data is transferred, either MSB or LSB first. Setting the bit high will select MSB first and low for LSB first.

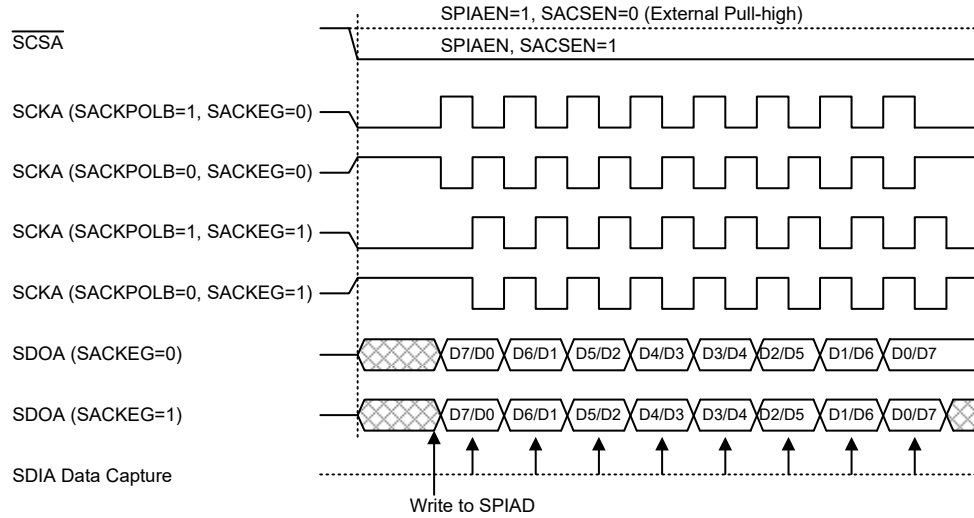
Bit 2	<p>SACSEN: SPIA $\overline{\text{SCSA}}$ pin control 0: Disable 1: Enable</p> <p>The SACSEN bit is used as an enable/disable for the $\overline{\text{SCSA}}$ pin. If this bit is low, then the $\overline{\text{SCSA}}$ pin will be disabled and placed into a floating condition. If the bit is high the $\overline{\text{SCSA}}$ pin will be enabled and used as a select pin.</p>
Bit 1	<p>SAWCOL: SPIA write collision flag 0: No collision 1: Collision</p> <p>The SAWCOL flag is used to detect if a data collision has occurred. If this bit is high it means that data has been attempted to be written to the SPIAD register during a data transfer operation. This writing operation will be ignored if data is being transferred. The bit can be cleared by the application program.</p>
Bit 0	<p>SATRF: SPIA Transmit/Receive complete flag 0: SPIA data is being transferred 1: SPIA data transmission is completed</p> <p>The SATRF bit is the Transmit/Receive Complete flag and is set “1” automatically when an SPIA data transmission is completed, but must set to zero by the application program. It can be used to generate an interrupt.</p>

SPIA Communication

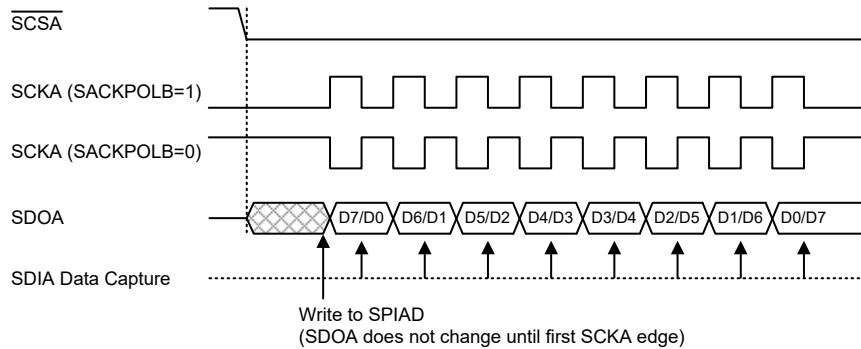
After the SPIA interface is enabled by setting the SPIAEN bit high, then in the Master Mode, when data is written to the SPIAD register, transmission/reception will begin simultaneously. When the data transfer is complete, the SATRF flag will be set automatically, but must be cleared using the application program. In the Slave Mode, when the clock signal from the master has been received, any data in the SPIAD register will be transmitted and any data on the SDIA pin will be shifted into the SPIAD register.

The master should output an $\overline{\text{SCSA}}$ signal to enable the slave device before a clock signal is provided. The slave data to be transferred should be well prepared at the appropriate moment relative to the $\overline{\text{SCSA}}$ signal depending upon the configurations of the SACKPOLB bit and SACKEG bit. The accompanying timing diagram shows the relationship between the slave data and $\overline{\text{SCSA}}$ signal for various configurations of the SACKPOLB and SACKEG bits.

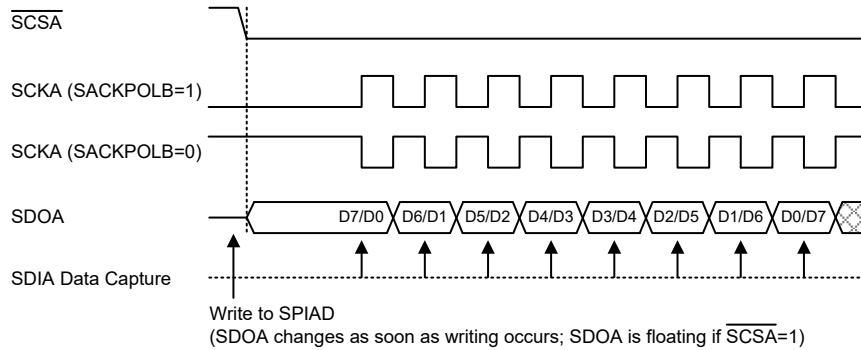
The SPIA will continue to function in special IDLE Modes if the clock source used by the SPIA interface is still active.



SPIA Master Mode Timing

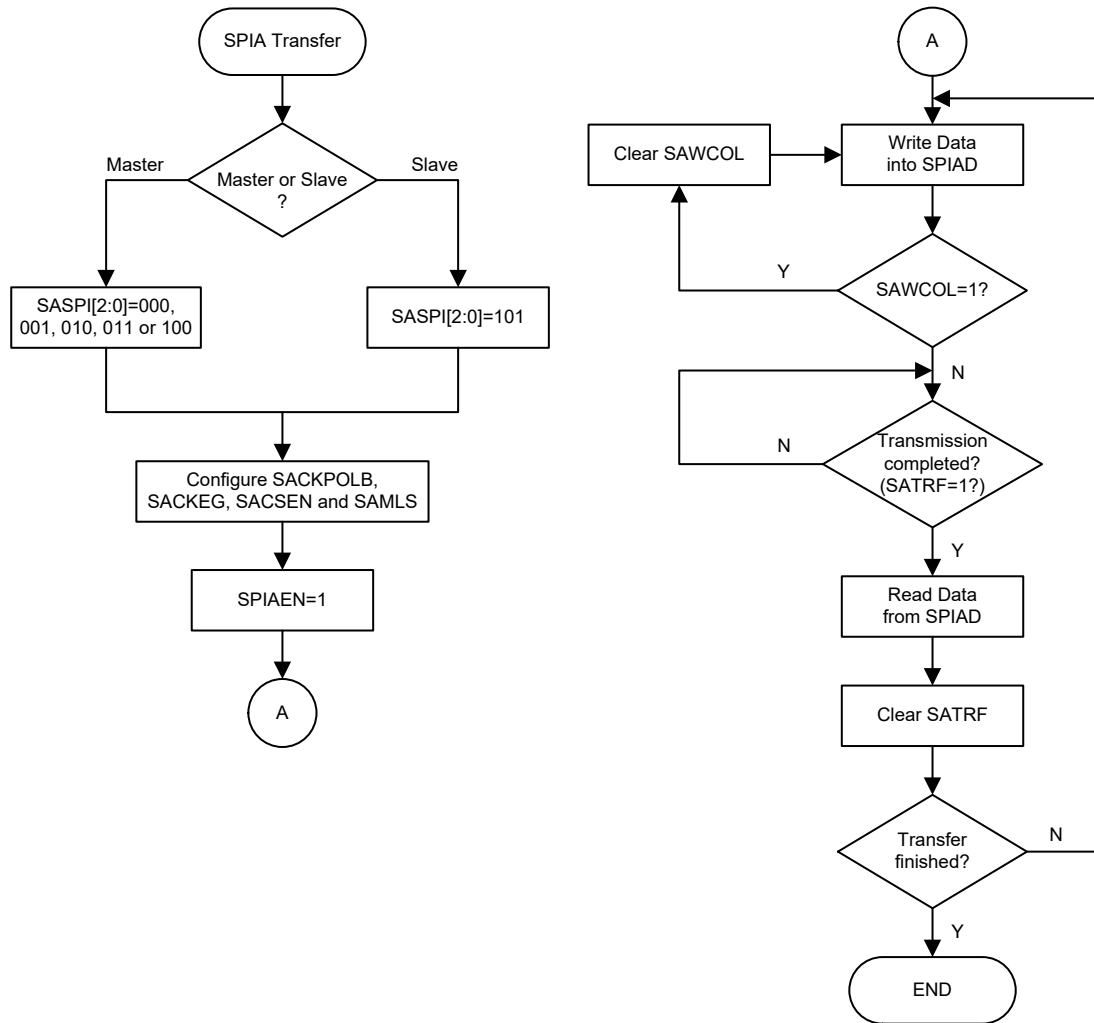


SPIA Slave Mode Timing – SACKEG=0



Note: For SPIA slave mode, if SPIAEN=1 and SACSSEN=0, SPIA is always enabled and ignores the \overline{SCSA} level.

SPIA Slave Mode Timing – SACKEG=1



SPIA Transfer Control Flowchart

SPIA Bus Enable/Disable

To enable the SPIA bus, set SACSEN=1 and $\overline{SCSA}=0$, then wait for data to be written into the SPIAD (TXRX buffer) register. For the Master Mode, after data has been written to the SPIAD (TXRX buffer) register, then transmission or reception will start automatically. When all the data has been transferred the SATRF bit should be set. For the Slave Mode, when clock pulses are received on SCKA, data in the TXRX buffer will be shifted out or data on SDIA will be shifted in.

When the SPIA bus is disabled, SCKA, SDIA, SDOA, \overline{SCSA} will become I/O pins or the other functions by configuring the corresponding pin-shared control bits.

SPIA Operation

All communication is carried out using the 4-line interface for either Master or Slave Mode.

The SACSEN bit in the SPIAC1 register controls the overall function of the SPIA interface. Setting this bit high will enable the SPIA interface by allowing the \overline{SCSA} line to be active, which can then be used to control the SPIA interface. If the SACSEN bit is low, the SPIA interface will be disabled and the \overline{SCSA} line will be in a floating condition and can therefore not be used for control of the SPIA interface. If the SACSEN bit and the SPIAEN bit in the SPIAC0 register are set high, this will place

the SDIA line in a floating condition and the SDOA line high. If in Master Mode the SCKA line will be either high or low depending upon the clock polarity selection bit SACKPOLB in the SPIAC1 register. If in Slave Mode the SCKA line will be in a floating condition. If SPIAEN is low then the bus will be disabled and SCSA, SDIA, SDOA and SCKA will all become I/O pins or the other functions. In the Master Mode the Master will always generate the clock signal. The clock and data transmission will be initiated after data has been written into the SPIAD register. In the Slave Mode, the clock signal will be received from an external master device for both data transmission and reception. The following sequences show the order to be followed for data transfer in both Master and Slave Mode.

Master Mode

- Step 1
Select the clock source and Master mode using the SASPI2~SASPI0 bits in the SPIAC0 control register.
- Step 2
Setup the SACSSEN bit and setup the SAMLS bit to choose if the data is MSB or LSB first, this must be same as the Slave device.
- Step 3
Setup the SPIAEN bit in the SPIAC0 control register to enable the SPIA interface.
- Step 4
For write operations: write the data to the SPIAD register, which will actually place the data into the TXRX buffer. Then use the SCKA and SCSA lines to output the data. After this go to step 5.
For read operations: the data transferred in on the SDIA line will be stored in the TXRX buffer until all the data has been received at which point it will be latched into the SPIAD register.
- Step 5
Check the SAWCOL bit if set high then a collision error has occurred so return to step 4. If equal to zero then go to the following step.
- Step 6
Check the SATRF bit or wait for a SPIA serial bus interrupt.
- Step 7
Read data from the SPIAD register.
- Step 8
Clear SATRF.
- Step 9
Go to step 4.

Slave Mode

- Step 1
Select the SPIA Slave mode using the SASPI2~SASPI0 bits in the SPIAC0 control register.
- Step 2
Setup the SACSEN bit and setup the SAMLS bit to choose if the data is MSB or LSB first, this setting must be the same with the Master device.
- Step 3
Setup the SPIAEN bit in the SPIAC0 control register to enable the SPIA interface.
- Step 4
For write operations: write the data to the SPIAD register, which will actually place the data into the TXRX buffer. Then wait for the master clock SCKA and $\overline{\text{SCSA}}$ signal. After this, go to step 5.
For read operations: the data transferred in on the SDIA line will be stored in the TXRX buffer until all the data has been received at which point it will be latched into the SPIAD register.
- Step 5
Check the SAWCOL bit if set high then a collision error has occurred so return to step 4. If equal to zero then go to the following step.
- Step 6
Check the SATRF bit or wait for a SPIA serial bus interrupt.
- Step 7
Read data from the SPIAD register.
- Step 8
Clear SATRF.
- Step 9
Go to step 4.

Error Detection

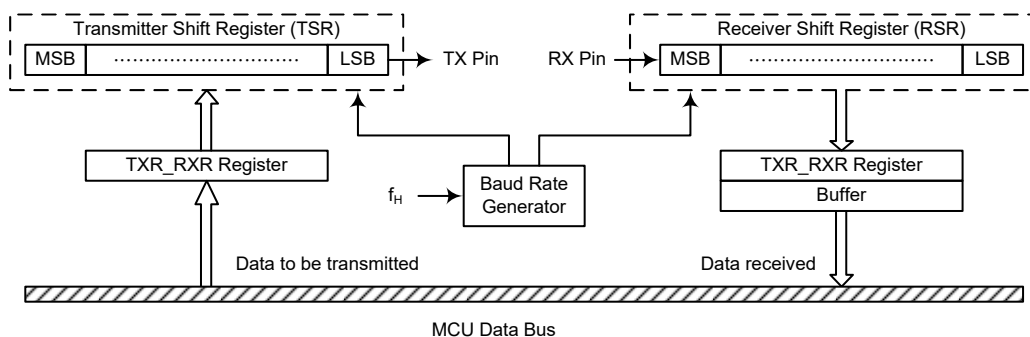
The SAWCOL bit in the SPIAC1 register is provided to indicate errors during data transfer. The bit is set by the SPIA serial Interface but must be cleared by the application program. This bit indicates a data collision has occurred which happens if a write to the SPIAD register takes place during a data transfer operation and will prevent the write operation from continuing.

UART Interface

The devices contain an integrated full-duplex asynchronous serial communications UART interface that enables communication with external devices that contain a serial interface. The UART function has many features and can transmit and receive data serially by transferring a frame of data with eight or nine data bits per transmission as well as being able to detect errors when the data is overwritten or incorrectly framed. The UART function possesses its own internal interrupt which can be used to indicate when a reception occurs or when a transmission terminates.

The integrated UART function contains the following features:

- Full-duplex, asynchronous communication
- 8 or 9 bits character length
- Even, odd or no parity options
- One or two stop bits
- Baud rate generator with 8-bit prescaler
- Parity, framing, noise and overrun error detection
- Support for interrupt on address detect (last character bit=1)
- Separately enabled transmitter and receiver
- 2-byte Deep FIFO Receive Data Buffer
- RX pin wake-up function
- Transmit and receive interrupts
- Interrupts can be initialized by the following conditions:
 - ♦ Transmitter Empty
 - ♦ Transmitter Idle
 - ♦ Receiver Full
 - ♦ Receiver Overrun
 - ♦ Address Mode Detect



UART Data Transfer Block Diagram

UART External Pins

To communicate with an external serial interface, the internal UART has two external pins known as TX and RX. The TX and RX pins are the UART transmitter and receiver pins respectively. The TX and RX pin function should first be selected by the corresponding pin-shared function selection register before the UART function is used. Along with the UARTEN bit, the TXEN and RXEN bits, if set, will setup these pins to their respective TX output and RX input conditions and disable any pull-high resistor option which may exist on the TX and RX pins. When the TX or RX pin function is disabled by clearing the UARTEN, TXEN or RXEN bit, the TX or RX pin will be set to a floating state. At this time whether the internal pull-high resistor is connected to the TX or RX pin or not is determined by the corresponding I/O pull-high function control bit.

UART Data Transfer Scheme

The above block diagram shows the overall data transfer structure arrangement for the UART. The actual data to be transmitted from the MCU is first transferred to the TXR_RXR register by the application program. The data will then be transferred to the Transmit Shift Register from where it will be shifted out, LSB first, onto the TX pin at a rate controlled by the Baud Rate Generator. Only the TXR_RXR register is mapped onto the MCU Data Memory, the Transmit Shift Register is not mapped and is therefore inaccessible to the application program.

Data to be received by the UART is accepted on the external RX pin, from where it is shifted in, LSB first, to the Receiver Shift Register at a rate controlled by the Baud Rate Generator. When the shift register is full, the data will then be transferred from the shift register to the internal TXR_RXR register, where it is buffered and can be manipulated by the application program. Only the TXR_RXR register is mapped onto the MCU Data Memory, the Receiver Shift Register is not mapped and is therefore inaccessible to the application program.

It should be noted that the actual register for data transmission and reception only exists as a single shared register, TXR_RXR, in the Data Memory.

UART Status and Control Registers

There are five control registers associated with the UART function. The USR, UCR1 and UCR2 registers control the overall function of the UART, while the BRG register controls the Baud rate. The actual data to be transmitted and received on the serial interface is managed through the TXR_RXR data register.

Register Name	Bit							
	7	6	5	4	3	2	1	0
USR	PERR	NF	FERR	OERR	RIDLE	RXIF	TIDLE	TXIF
UCR1	UARTEN	BNO	PREN	PRT	STOPS	TXBRK	RX8	TX8
UCR2	TXEN	RXEN	BRGH	ADDEN	WAKE	RIE	TIIE	TEIE
TXR_RXR	D7	D6	D5	D4	D3	D2	D1	D0
BRG	D7	D6	D5	D4	D3	D2	D1	D0

UART Registers List

• **USR Register**

The USR register is the status register for the UART, which can be read by the program to determine the present status of the UART. All flags within the USR register are read only. Further explanation on each of the flags is given below:

Bit	7	6	5	4	3	2	1	0
Name	PERR	NF	FERR	OERR	RIDLE	RXIF	TIDLE	TXIF
R/W	R	R	R	R	R	R	R	R
POR	0	0	0	0	1	0	1	1

- Bit 7 PERR:** Parity error flag
 0: No parity error is detected
 1: Parity error is detected
 The PERR flag is the parity error flag. When this read only flag is "0", it indicates a parity error has not been detected. When the flag is "1", it indicates that the parity of the received word is incorrect. This error flag is applicable only if Parity mode (odd or even) is selected. The flag can also be cleared by a software sequence which involves a read to the status register USR followed by an access to the TXR_RXR data register.
- Bit 6 NF:** Noise flag
 0: No noise is detected
 1: Noise is detected
 The NF flag is the noise flag. When this read only flag is "0", it indicates no noise condition. When the flag is "1", it indicates that the UART has detected noise on the receiver input. The NF flag is set during the same cycle as the RXIF flag but will not be set in the case of an overrun. The NF flag can be cleared by a software sequence which will involve a read to the status register USR followed by an access to the TXR_RXR data register.
- Bit 5 FERR:** Framing error flag
 0: No framing error is detected
 1: Framing error is detected
 The FERR flag is the framing error flag. When this read only flag is "0", it indicates that there is no framing error. When the flag is "1", it indicates that a framing error has been detected for the current character. The flag can also be cleared by a software sequence which will involve a read to the status register USR followed by an access to the TXR_RXR data register.
- Bit 4 OERR:** Overrun error flag
 0: No overrun error is detected
 1: Overrun error is detected
 The OERR flag is the overrun error flag which indicates when the receiver buffer has overflowed. When this read only flag is "0", it indicates that there is no overrun error. When the flag is "1", it indicates that an overrun error occurs which will inhibit further transfers to the TXR_RXR receive data register. The flag is cleared by a software sequence, which is a read to the status register USR followed by an access to the TXR_RXR data register.
- Bit 3 RIDLE:** Receiver status
 0: Data reception is in progress (Data being received)
 1: No data reception is in progress (Receiver is idle)
 The RIDLE flag is the receiver status flag. When this read only flag is "0", it indicates that the receiver is between the initial detection of the start bit and the completion of the stop bit. When the flag is "1", it indicates that the receiver is idle. Between the completion of the stop bit and the detection of the next start bit, the RIDLE bit is "1" indicating that the UART receiver is idle and the RX pin stays in logic high condition.
- Bit 2 RXIF:** Receive TXR_RXR data register status
 0: TXR_RXR data register is empty
 1: TXR_RXR data register has available data

The RXIF flag is the receive data register status flag. When this read only flag is "0", it indicates that the TXR_RXR read data register is empty. When the flag is "1", it indicates that the TXR_RXR read data register contains new data. When the contents of the shift register are transferred to the TXR_RXR register, an interrupt is generated if RIE=1 in the UCR2 register. If one or more errors are detected in the received word, the appropriate receive-related flags NF, FERR, and/or PERR are set within the same clock cycle. The RXIF flag is cleared when the USR register is read with RXIF set, followed by a read from the TXR_RXR register, and if the TXR_RXR register has no data available.

- Bit 1 **TIDLE**: Transmission idle
 0: Data transmission is in progress (Data being transmitted)
 1: No data transmission is in progress (Transmitter is idle)

The TIDLE flag is known as the transmission complete flag. When this read only flag is "0", it indicates that a transmission is in progress. This flag will be set high when the TXIF flag is "1" and when there is no transmit data or break character being transmitted. When TIDLE is equal to "1", the TX pin becomes idle with the pin state in logic high condition. The TIDLE flag is cleared by reading the USR register with TIDLE set and then writing to the TXR_RXR register. The flag is not generated when a data character or a break is queued and ready to be sent.

- Bit 0 **TXIF**: Transmit TXR_RXR data register status
 0: Character is not transferred to the transmit shift register
 1: Character has transferred to the transmit shift register (TXR_RXR data register is empty)

The TXIF flag is the transmit data register empty flag. When this read only flag is "0", it indicates that the character is not transferred to the transmitter shift register. When the flag is "1", it indicates that the transmitter shift register has received a character from the TXR_RXR data register. The TXIF flag is cleared by reading the UART status register (USR) with TXIF set and then writing to the TXR_RXR data register. Note that when the TXEN bit is set, the TXIF flag bit will also be set since the transmit data register is not yet full.

• **UCR1 Register**

The UCR1 register together with the UCR2 register are the two UART control registers that are used to set the various options for the UART function, such as overall on/off control, parity control, data transfer bit length etc. Further explanation on each of the bits is given below:

Bit	7	6	5	4	3	2	1	0
Name	UARTEN	BNO	PREN	PRT	STOPS	TXBRK	RX8	TX8
R/W	R/W	R/W	R/W	R/W	R/W	R/W	R	W
POR	0	0	0	0	0	0	x	0

"x": unknown

- Bit 7 **UARTEN**: UART function enable control
 0: Disable UART. TX and RX pins are in a floating state
 1: Enable UART. TX and RX pins function as UART pins

The UARTEN bit is the UART enable bit. When this bit is equal to "0", the UART will be disabled and the RX pin as well as the TX pin will be set in a floating state. When the bit is equal to "1", the UART will be enabled and the TX and RX pins will function as defined by the TXEN and RXEN enable control bits.

When the UART is disabled, it will empty the buffer so any character remaining in the buffer will be discarded. In addition, the value of the baud rate counter will be reset. If the UART is disabled, all error and status flags will be reset. Also the TXEN, RXEN, TXBRK, RXIF, OERR, FERR, PERR and NF bits will be cleared, while the TIDLE, TXIF and RIDLE bits will be set. Other control bits in UCR1, UCR2 and BRG registers will remain unaffected. If the UART is active and the UARTEN bit is cleared, all pending transmissions and receptions will be terminated and the module

will be reset as defined above. When the UART is re-enabled, it will restart in the same configuration.

- Bit 6** **BNO:** Number of data transfer bits selection
 0: 8-bit data transfer
 1: 9-bit data transfer
 This bit is used to select the data length format, which can have a choice of either 8-bit or 9-bit format. When this bit is equal to "1", a 9-bit data length format will be selected. If the bit is equal to "0", then an 8-bit data length format will be selected. If 9-bit data length format is selected, then bits RX8 and TX8 will be used to store the 9th bit of the received and transmitted data respectively.
- Bit 5** **PREN:** Parity function enable control
 0: Parity function is disabled
 1: Parity function is enabled
 This is the parity enable bit. When this bit is equal to "1", the parity function will be enabled. If the bit is equal to "0", then the parity function will be disabled. Replace the most significant bit position with a parity bit.
- Bit 4** **PRT:** Parity type selection bit
 0: Even parity for parity generator
 1: Odd parity for parity generator
 This bit is the parity type selection bit. When this bit is equal to "1", odd parity type will be selected. If the bit is equal to "0", then even parity type will be selected.
- Bit 3** **STOPS:** Number of Stop bits selection
 0: One stop bit format is used
 1: Two stop bits format is used
 This bit determines if one or two stop bits are to be used. When this bit is equal to "1", two stop bits are used. If this bit is equal to "0", then only one stop bit is used.
- Bit 2** **TXBRK:** Transmit break character
 0: No break character is transmitted
 1: Break characters transmit
 The TXBRK bit is the Transmit Break Character bit. When this bit is "0", there are no break characters and the TX pin operates normally. When the bit is "1", there are transmit break characters and the transmitter will send logic zeros. When this bit is equal to "1", after the buffered data has been transmitted, the transmitter output is held low for a minimum of a 13-bit length and until the TXBRK bit is reset.
- Bit 1** **RX8:** Receive data bit 8 for 9-bit data transfer format (read only)
 This bit is only used if 9-bit data transfers are used, in which case this bit location will store the 9th bit of the received data known as RX8. The BNO bit is used to determine whether data transfers are in 8-bit or 9-bit format.
- Bit 0** **TX8:** Transmit data bit 8 for 9-bit data transfer format (write only)
 This bit is only used if 9-bit data transfers are used, in which case this bit location will store the 9th bit of the transmitted data known as TX8. The BNO bit is used to determine whether data transfers are in 8-bit or 9-bit format.

• **UCR2 Register**

The UCR2 register is the second of the two UART control registers and serves several purposes. One of its main functions is to control the basic enable/disable operation of the UART Transmitter and Receiver as well as enabling the various UART interrupt sources. The register also serves to control the baud rate speed, receiver wake-up enable and the address detect enable. Further explanation on each of the bits is given below:

Bit	7	6	5	4	3	2	1	0
Name	TXEN	RXEN	BRGH	ADDEN	WAKE	RIE	TIIE	TEIE
R/W	R/W	R/W	R/W	R/W	R/W	R/W	R/W	R/W
POR	0	0	0	0	0	0	0	0

- Bit 7 **TXEN:** UART Transmitter enabled control
 0: UART transmitter is disabled
 1: UART transmitter is enabled
- The bit named TXEN is the Transmitter Enable Bit. When this bit is equal to "0", the transmitter will be disabled with any pending data transmissions being aborted. In addition the buffers will be reset. In this situation the TX pin will be set in a floating state.
- If the TXEN bit is equal to "1" and the UARTEN bit is also equal to "1", the transmitter will be enabled and the TX pin will be controlled by the UART. Clearing the TXEN bit during a transmission will cause the data transmission to be aborted and will reset the transmitter. If this situation occurs, the TX pin will be set in a floating state.
- Bit 6 **RXEN:** UART Receiver enabled control
 0: UART receiver is disabled
 1: UART receiver is enabled
- The bit named RXEN is the Receiver Enable Bit. When this bit is equal to "0", the receiver will be disabled with any pending data receptions being aborted. In addition the receive buffers will be reset. In this situation the RX pin will be set in a floating state. If the RXEN bit is equal to "1" and the UARTEN bit is also equal to "1", the receiver will be enabled and the RX pin will be controlled by the UART. Clearing the RXEN bit during a reception will cause the data reception to be aborted and will reset the receiver. If this situation occurs, the RX pin will be set in a floating state.
- Bit 5 **BRGH:** Baud Rate speed selection
 0: Low speed baud rate
 1: High speed baud rate
- The bit named BRGH selects the high or low speed mode of the Baud Rate Generator. This bit, together with the value placed in the baud rate register BRG, controls the Baud Rate of the UART. If this bit is equal to "1", the high speed mode is selected. If the bit is equal to "0", the low speed mode is selected.
- Bit 4 **ADDEN:** Address detect function enable control
 0: Address detect function is disabled
 1: Address detect function is enabled
- The bit named ADDEN is the address detect function enable control bit. When this bit is equal to "1", the address detect function is enabled. When it occurs, if the 8th bit, which corresponds to RX7 if BNO=0 or the 9th bit, which corresponds to RX8 if BNO=1, has a value of "1", then the received word will be identified as an address, rather than data. If the corresponding interrupt is enabled, an interrupt request will be generated each time the received word has the address bit set, which is the 8th or 9th bit depending on the value of BNO. If the address bit known as the 8th or 9th bit of the received word is "0" with the address detect function being enabled, an interrupt will not be generated and the received data will be discarded.
- Bit 3 **WAKE:** RX pin wake-up UART function enable control
 0: RX pin wake-up UART function is disabled
 1: RX pin wake-up UART function is enabled
- This bit is used to control the wake-up UART function when a falling edge on the RX pin occurs. Note that this bit is only available when the UART clock (f_{RT}) is switched off. There will be no RX pin wake-up UART function if the UART clock (f_{RT}) exists. If the WAKE bit is set to 1 as the UART clock (f_{RT}) is switched off, a UART wake-up request will be initiated when a falling edge on the RX pin occurs. When this request happens and the corresponding interrupt is enabled, an RX pin wake-up UART interrupt will be generated to inform the MCU to wake up the UART function by switching on the UART clock (f_{RT}) via the application program. Otherwise, the UART function cannot resume even if there is a falling edge on the RX pin when the WAKE bit is cleared to 0.

- Bit 2 **RIE**: Receiver interrupt enable control
 0: Receiver related interrupt is disabled
 1: Receiver related interrupt is enabled
 This bit enables or disables the receiver interrupt. If this bit is equal to "1" and when the receiver overrun flag OERR or receive data available flag RXIF is set, the UART interrupt request flag will be set. If this bit is equal to "0", the UART interrupt request flag will not be influenced by the condition of the OERR or RXIF flags.
- Bit 1 **TIIE**: Transmitter Idle interrupt enable control
 0: Transmitter idle interrupt is disabled
 1: Transmitter idle interrupt is enabled
 This bit enables or disables the transmitter idle interrupt. If this bit is equal to "1" and when the transmitter idle flag TIDLE is set, due to a transmitter idle condition, the UART interrupt request flag will be set. If this bit is equal to "0", the UART interrupt request flag will not be influenced by the condition of the TIDLE flag.
- Bit 0 **TEIE**: Transmitter Empty interrupt enable control
 0: Transmitter empty interrupt is disabled
 1: Transmitter empty interrupt is enabled
 This bit enables or disables the transmitter empty interrupt. If this bit is equal to "1" and when the transmitter empty flag TXIF is set, due to a transmitter empty condition, the UART interrupt request flag will be set. If this bit is equal to "0", the UART interrupt request flag will not be influenced by the condition of the TXIF flag.

• **TXR_RXR Register**

Bit	7	6	5	4	3	2	1	0
Name	D7	D6	D5	D4	D3	D2	D1	D0
R/W	R/W	R/W	R/W	R/W	R/W	R/W	R/W	R/W
POR	x	x	x	x	x	x	x	x

"x" unknown

Bit 7~0 **D7~D0**: UART Transmit/Receive Data bit 7 ~ bit 0

• **BRG Register**

Bit	7	6	5	4	3	2	1	0
Name	D7	D6	D5	D4	D3	D2	D1	D0
R/W	R/W	R/W	R/W	R/W	R/W	R/W	R/W	R/W
POR	x	x	x	x	x	x	x	x

"x" unknown

Bit 7~0 **D7~D0**: Baud Rate values

By programming the BRGH bit in UCR2 Register which allows selection of the related formula described above and programming the required value in the BRG register, the required baud rate can be setup.

Note: Baud rate= $f_{H1} / [64 \times (N+1)]$ if BRGH=0.

Baud rate= $f_{H1} / [16 \times (N+1)]$ if BRGH=1.

Baud Rate Generator

To setup the speed of the serial data communication, the UART function contains its own dedicated baud rate generator. The baud rate is controlled by its own internal free running 8-bit timer, the period of which is determined by two factors. The first of these is the value placed in the baud rate register BRG and the second is the value of the BRGH bit with the control register UCR2. The BRGH bit decides if the baud rate generator is to be used in a high speed mode or low speed mode, which in turn determines the formula that is used to calculate the baud rate. The value N in the BRG register which is used in the following baud rate calculation formula determines the division factor. Note that N is the decimal value placed in the BRG register and has a range of between 0 and 255.

UCR2 BRGH Bit	0	1
Baud Rate (BR)	$f_H / [64 (N+1)]$	$f_H / [16 (N+1)]$

By programming the BRGH bit which allows selection of the related formula and programming the required value in the BRG register, the required baud rate can be setup. Note that because the actual baud rate is determined using a discrete value, N, placed in the BRG register, there will be an error associated between the actual and requested value. The following example shows how the BRG register value N and the error value can be calculated.

Calculating the Baud Rate and Error Values

For a clock frequency of 4MHz, and with BRGH cleared to zero determine the BRG register value N, the actual baud rate and the error value for a desired baud rate of 4800.

From the above table the desired baud rate $BR = f_H / [64 (N+1)]$

Re-arranging this equation gives $N = [f_H / (BR \times 64)] - 1$

Giving a value for N = $[4000000 / (4800 \times 64)] - 1 = 12.0208$

To obtain the closest value, a decimal value of 12 should be placed into the BRG register. This gives an actual or calculated baud rate value of $BR = 4000000 / [64 \times (12+1)] = 4808$

Therefore the error is equal to $(4808 - 4800) / 4800 = 0.16\%$

UART Setup and Control

For data transfer, the UART function utilizes a non-return-to-zero, more commonly known as NRZ, format. This is composed of one start bit, eight or nine data bits, and one or two stop bits. Parity is supported by the UART hardware, and can be setup to be even, odd or no parity. For the most common data format, 8 data bits along with no parity and one stop bit, denoted as 8, N, 1, is used as the default setting, which is the setting at power-on. The number of data bits and stop bits, along with the parity, are setup by programming the corresponding BNO, PRT, PREN, and STOPS bits in the UCR1 register. The baud rate used to transmit and receive data is setup using the internal 8-bit baud rate generator, while the data is transmitted and received LSB first. Although the UART transmitter and receiver are functionally independent, they both use the same data format and baud rate. In all cases stop bits will be used for data transmission.

Enabling/Disabling the UART Interface

The basic on/off function of the internal UART function is controlled using the UARTEN bit in the UCR1 register. If the UARTEN, TXEN and RXEN bits are set, then these two UART pins will act as normal TX output pin and RX input pin respectively. If no data is being transmitted on the TX pin, then it will default to a logic high value.

Clearing the UARTEN bit will disable the TX and RX pins and allow these two pins to be used as normal I/O or other pin-shared functional pins by configuring the corresponding pin-shared control bits. When the UART function is disabled the buffer will be reset to an empty condition, at the same time discarding any remaining residual data. Disabling the UART will also reset the error and status flags with bits TXEN, RXEN, TXBRK, RXIF, OERR, FERR, PERR and NF being cleared while bits TIDLE, TXIF and RIDLE will be set. The remaining control bits in the UCR1, UCR2 and BRG registers will remain unaffected. If the UARTEN bit in the UCR1 register is cleared while the UART is active, then all pending transmissions and receptions will be immediately suspended and the UART will be reset to a condition as defined above. If the UART is then subsequently re-enabled, it will restart again in the same configuration.

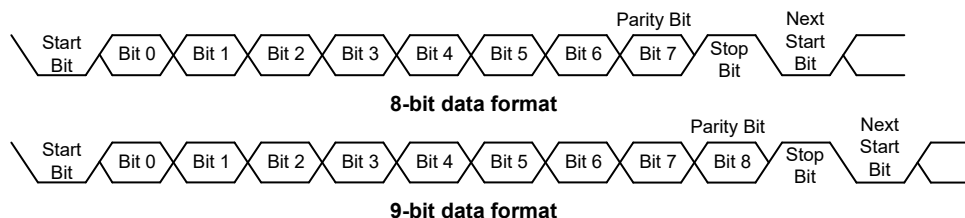
Data, Parity and Stop Bit Selection

The format of the data to be transferred is composed of various factors such as data bit length, parity on/off, parity type, address bits and the number of stop bits. These factors are determined by the setup of various bits within the UCR1 register. The BNO bit controls the number of data bits which can be set to either 8 or 9, the PRT bit controls the choice of odd or even parity, the PREN bit controls the parity on/off function and the STOPS bit decides whether one or two stop bits are to be used. The following table shows various formats for data transmission. The address bit, which is the MSB of the data byte, identifies the frame as an address character or data if the address detect function is enabled. The number of stop bits, which can be either one or two, is independent of the data length and only to be used for the transmitter. There is only one stop bit for the receiver.

Start Bit	Data Bits	Address Bit	Parity Bit	Stop Bit
Example of 8-bit Data Formats				
1	8	0	0	1
1	7	0	1	1
1	7	1	0	1
Example of 9-bit Data Formats				
1	9	0	0	1
1	8	0	1	1
1	8	1	0	1

Transmitter Receiver Data Format

The following diagram shows the transmit and receive waveforms for both 8-bit and 9-bit data formats.



UART Transmitter

Data word lengths of either 8 or 9 bits can be selected by programming the BNO bit in the UCR1 register. When BNO bit is set, the word length will be set to 9 bits. In this case the 9th bit, which is the MSB, needs to be stored in the TX8 bit in the UCR1 register. At the transmitter core lies the Transmitter Shift Register, more commonly known as the TSR, whose data is obtained from the transmit data register, which is known as the TXR_RXR register. The data to be transmitted is loaded into this TXR_RXR register by the application program. The TSR register is not written to with new data until the stop bit from the previous transmission has been sent out. As soon as this stop bit has been transmitted, the TSR can then be loaded with new data from the TXR_RXR register, if it is available. It should be noted that the TSR register, unlike many other registers, is not directly mapped into the Data Memory area and as such is not available to the application program for direct read/write operations. An actual transmission of data will normally be enabled when the TXEN bit is set, but the data will not be transmitted until the TXR_RXR register has been loaded with data and the baud rate generator has defined a shift clock source. However, the transmission can also be initiated by first loading data into the TXR_RXR register, after which the TXEN bit can be set. When a transmission of data begins, the TSR is normally empty, in which case a transfer to the TXR_RXR register will result in an immediate transfer to the TSR. If during a transmission the

TXEN bit is cleared, the transmission will immediately cease and the transmitter will be reset. The TX output pin can then be configured as the I/O or other pin-shared functions by configuring the corresponding pin-shared control bits.

Transmitting Data

When the UART is transmitting data, the data is shifted on the TX pin from the shift register, with the least significant bit first. In the transmit mode, the TXR_RXR register forms a buffer between the internal bus and the transmitter shift register. It should be noted that if 9-bit data format has been selected, then the MSB will be taken from the TX8 bit in the UCR1 register. The steps to initiate a data transfer can be summarized as follows:

- Make the correct selection of the BNO, PRT, PREN and STOPS bits to define the required word length, parity type and the number of stop bits.
- Setup the BRG register to select the desired baud rate.
- Set the TXEN bit to ensure that the TX pin is used as a UART transmitter pin.
- Access the USR register and write the data that is to be transmitted into the TXR_RXR register. Note that this step will clear the TXIF bit.

This sequence of events can now be repeated to send additional data.

It should be noted that when TXIF=0, data will be inhibited from being written to the TXR_RXR register. Clearing the TXIF flag is always achieved using the following software sequence:

1. A USR register access
2. A TXR_RXR register write execution

The read-only TXIF flag is set by the UART hardware and if set indicates that the TXR_RXR register is empty and that other data can now be written into the TXR_RXR register without overwriting the previous data. If the TEIE bit is set then the TXIF flag will generate an interrupt.

During a data transmission, a write instruction to the TXR_RXR register will place the data into the TXR_RXR register, which will be copied to the shift register at the end of the present transmission. When there is no data transmission in progress, a write instruction to the TXR_RXR register will place the data directly into the shift register, resulting in the commencement of data transmission, and the TXIF bit being immediately set. When a frame transmission is complete, which happens after stop bits are sent or after the break frame, the TIDLE bit will be set. To clear the TIDLE bit the following software sequence is used:

1. A USR register access
2. A TXR_RXR register write execution

Note that both the TXIF and TIDLE bits are cleared by the same software sequence.

Transmit Break

If the TXBRK bit is set then break characters will be sent on the next transmission. Break character transmission consists of a start bit, followed by $13 \times N$ '0' bits and stop bits, where $N=1, 2, \text{etc.}$ If a break character is to be transmitted then the TXBRK bit must be first set by the application program, and then cleared to generate the stop bits. Transmitting a break character will not generate a transmit interrupt. Note that a break condition length is at least 13 bits long. If the TXBRK bit is continually kept at a logic high level then the transmitter circuitry will transmit continuous break characters. After the application program has cleared the TXBRK bit, the transmitter will finish transmitting the last break character and subsequently send out one or two stop bits. The automatic logic highs at the end of the last break character will ensure that the start bit of the next frame is recognized.

UART Receiver

The UART is capable of receiving word lengths of either 8 or 9 bits. If the BNO bit is set, the word length will be set to 9 bits with the MSB being stored in the RX8 bit of the UCR1 register. At the receiver core lies the Receive Serial Shift Register, commonly known as the RSR. The data which is received on the RX external input pin is sent to the data recovery block. The data recovery block operating speed is 16 times that of the baud rate, while the main receive serial shifter operates at the baud rate. After the RX pin is sampled for the stop bit, the received data in RSR is transferred to the receive data register, if the register is empty. The data which is received on the external RX input pin is sampled three times by a majority detect circuit to determine the logic level that has been placed onto the RX pin. It should be noted that the RSR register, unlike many other registers, is not directly mapped into the Data Memory area and as such is not available to the application program for direct read/write operations.

Receiving Data

When the UART receiver is receiving data, the data is serially shifted in on the external RX input pin, LSB first. In the read mode, the TXR_RXR register forms a buffer between the internal bus and the receiver shift register. The TXR_RXR register is a two byte deep FIFO data buffer, where two bytes can be held in the FIFO while a third byte can continue to be received. Note that the application program must ensure that the data is read from TXR_RXR before the third byte has been completely shifted in, otherwise this third byte will be discarded and an overrun error OERR will be subsequently indicated. The steps to initiate a data transfer can be summarized as follows:

- Make the correct selection of BNO, PRT and PREN bits to define the word length and parity type.
- Setup the BRG register to select the desired baud rate.
- Set the RXEN bit to ensure that the RX pin is used as a UART receiver pin.

At this point the receiver will be enabled which will begin to look for a start bit.

When a character is received the following sequence of events will occur:

- The RXIF bit in the USR register will be set when the TXR_RXR register has data available. There will be at most one more character available before an overrun error occurs.
- When the contents of the shift register have been transferred to the TXR_RXR register, then if the RIE bit is set, an interrupt will be generated.
- If during reception, a frame error, noise error, parity error, or an overrun error has been detected, then the error flags can be set.

The RXIF bit can be cleared using the following software sequence:

1. A USR register access
2. A TXR_RXR register read execution

Receive Break

Any break character received by the UART will be managed as a framing error. The receiver will count and expect a certain number of bit times as specified by the values programmed into the BNO plus one stop bit. If the break is much longer than 13 bit times, the reception will be considered as complete after the number of bit times specified by BNO plus one stop bit. The RXIF bit is set, FERR is set, zeros are loaded into the receive data register, interrupts are generated if appropriate and the RIDLE bit is set. A break is regarded as a character that contains only zeros with the FERR flag set. If a long break signal has been detected, the receiver will regard it as a data frame including a start bit, data bits and the invalid stop bit and the FERR flag will be set. The receiver must wait for a valid stop bit before looking for the next start bit. The receiver will not make the assumption that

the break condition on the line is the next start bit. The break character will be loaded into the buffer and no further data will be received until stop bits are received. It should be noted that the RIDLE read only flag will go high when the stop bits have not yet been received. The reception of a break character on the UART registers will result in the following:

- The framing error flag, FERR, will be set.
- The receive data register, TXR_RXR, will be cleared.
- The OERR, NF, PERR, RIDLE or RXIF flags will possibly be set.

Idle Status

When the receiver is reading data, which means it will be in between the detection of a start bit and the reading of a stop bit, the receiver status flag in the USR register, otherwise known as the RIDLE flag, will have a zero value. In between the reception of a stop bit and the detection of the next start bit, the RIDLE flag will have a high value, which indicates the receiver is in an idle condition.

Receiver Interrupt

The read only receive interrupt flag RXIF in the USR register is set by an edge generated by the receiver. An interrupt is generated if RIE=1, when a word is transferred from the Receive Shift Register, RSR, to the Receive Data Register, TXR_RXR. An overrun error can also generate an interrupt if RIE=1.

Managing Receiver Errors

Several types of reception errors can occur within the UART module, the following section describes the various types and how they are managed by the UART.

Overrun Error – OERR

The TXR_RXR register is composed of a two byte deep FIFO data buffer, where two bytes can be held in the FIFO register, while a third byte can continue to be received. Before this third byte has been entirely shifted in, the data should be read from the TXR_RXR register. If this is not done, the overrun error flag OERR will be consequently indicated.

In the event of an overrun error occurring, the following will happen:

- The OERR flag in the USR register will be set.
- The TXR_RXR contents will not be lost.
- The shift register will be overwritten.
- An interrupt will be generated if the RIE bit is set.

The OERR flag can be cleared by an access to the USR register followed by a read to the TXR_RXR register.

Noise Error – NF

Over-sampling is used for data recovery to identify valid incoming data and noise. If noise is detected within a frame the following will occur:

- The read only noise flag, NF, in the USR register will be set on the rising edge of the RXIF bit.
- Data will be transferred from the Shift register to the TXR_RXR register.
- No interrupt will be generated. However this bit rises at the same time as the RXIF bit which itself generates an interrupt.

Note that the NF flag is reset by a USR register read operation followed by a TXR_RXR register read operation.

Framing Error – FERR

The read only framing error flag, FERR, in the USR register, is set if a zero is detected instead of stop bits. If two stop bits are selected, both stop bits must be high; otherwise the FERR flag will be set. The FERR flag and the received data will be recorded in the USR and TXR_RXR registers respectively, and the flag is cleared in any reset.

Parity Error – PERR

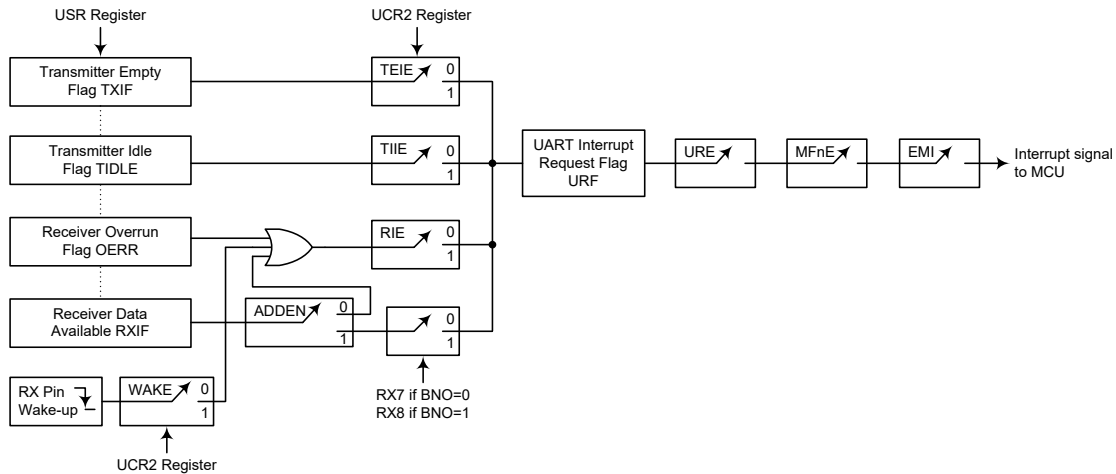
The read only parity error flag, PERR, in the USR register, is set if the parity of the received word is incorrect. This error flag is only applicable if the parity is enabled, PREN = 1, and if the parity type, odd or even is selected. The read only PERR flag and the received data will be recorded in the USR and TXR_RXR registers respectively. It is cleared on any reset, it should be noted that the flags, FERR and PERR, in the USR register should first be read by the application program before reading the data word.

UART Interrupt Structure

Several individual UART conditions can generate a UART interrupt. When these conditions exist, a low pulse will be generated to get the attention of the microcontroller. These conditions are a transmitter data register empty, transmitter idle, receiver data available, receiver overrun, address detect and an RX pin wake-up. When any of these conditions are created, if the global interrupt enable bit, multi-function interrupt enable bit and its corresponding interrupt control bit are enabled and the stack is not full, the program will jump to its corresponding interrupt vector where it can be serviced before returning to the main program. Four of these conditions have the corresponding USR register flags which will generate a UART interrupt if its associated interrupt enable control bit in the UCR2 register is set. The two transmitter interrupt conditions have their own corresponding enable control bits, while the two receiver interrupt conditions have a shared enable control bit. These enable bits can be used to mask out individual UART interrupt sources.

The address detect condition, which is also a UART interrupt source, does not have an associated flag, but will generate a UART interrupt when an address detect condition occurs if its function is enabled by setting the ADDEN bit in the UCR2 register. An RX pin wake-up, which is also a UART interrupt source, does not have an associated flag, but will generate a UART interrupt if the UART clock (f_{H}) source is switched off and the WAKE and RIE bits in the UCR2 register are set when a falling edge on the RX pin occurs.

Note that the USR register flags are read only and cannot be cleared or set by the application program, neither will they be cleared when the program jumps to the corresponding interrupt servicing routine, as is the case for some of the other interrupts. The flags will be cleared automatically when certain actions are taken by the UART, the details of which are given in the UART register section. The overall UART interrupt can be disabled or enabled by the related interrupt enable control bits in the interrupt control registers of the microcontroller to decide whether the interrupt requested by the UART module is masked out or allowed.



UART Interrupt Structure

Address Detect Mode

Setting the Address Detect Mode bit, ADDEN, in the UCR2 register, enables this special mode. If this bit is enabled then an additional qualifier will be placed on the generation of a Receiver Data Available interrupt, which is requested by the RXIF flag. If the ADDEN bit is enabled, then when data is available, an interrupt will only be generated, if the highest received bit has a high value. Note that the MFnE, URE and EMI interrupt enable bits must also be enabled for correct interrupt generation. This highest address bit is the 9th bit if BNO=1 or the 8th bit if BNO=0. If this bit is high, then the received word will be defined as an address rather than data. A Data Available interrupt will be generated every time the last bit of the received word is set. If the ADDEN bit is not enabled, then a Receiver Data Available interrupt will be generated each time the RXIF flag is set, irrespective of the data last bit status. The address detect mode and parity enable are mutually exclusive functions. Therefore if the address detect mode is enabled, then to ensure correct operation, the parity function should be disabled by resetting the parity enable bit PREN to zero.

ADDEN	Bit 9 if BNO=1 Bit 8 if BNO=0	UART Interrupt Generated
0	0	√
	1	√
1	0	×
	1	√

ADDEN Bit Function

UART Power Down and Wake-up

When the UART clock (f_H) is off, the UART will cease to function, all clock sources to the module are shutdown. If the UART clock (f_H) is off while a transmission is still in progress, then the transmission will be paused until the UART clock source derived from the microcontroller is activated. In a similar way, if the MCU enters the Power Down Mode while receiving data, then the reception of data will likewise be paused. When the MCU enters the Power Down Mode, note that the USR, UCR1, UCR2, transmit and receive registers, as well as the BRG register will not be affected. It is recommended to make sure first that the UART data transmission or reception has been finished before the microcontroller enters the Power Down mode.

The UART function contains a receiver RX pin wake-up function, which is enabled or disabled by the WAKE bit in the UCR2 register. If this bit, along with the UART enable bit, UARTEN, the receiver enable bit, RXEN and the receiver interrupt bit, RIE, are all set when the UART clock (f_{H}) is off, then a falling edge on the RX pin will trigger an RX pin wake-up UART interrupt. Note that as it takes certain system clock cycles after a wake-up, before normal microcontroller operation resumes, any data received during this time on the RX pin will be ignored.

For a UART wake-up interrupt to occur, in addition to the bits for the wake-up being set, the global interrupt enable bit, EMI, the Multi-function Interrupt enable bit, MFnE, and the UART interrupt enable bit, URE, must be set. If the EMI, MFnE and URE bits are not set then only a wake up event will occur and no interrupt will be generated. Note also that as it takes certain system clock cycles after a wake-up before normal microcontroller resumes, the UART interrupt will not be generated until after this time has elapsed.

Low Voltage Detector – LVD

The devices have a Low Voltage Detector function, also known as LVD. This enabled the devices to monitor the power supply voltage, V_{DD} , and provide a warning signal should it fall below a certain level. This function may be especially useful in battery applications where the supply voltage will gradually reduce as the battery ages, as it allows an early warning battery low signal to be generated. The Low Voltage Detector also has the capability of generating an interrupt signal.

LVD Register

The Low Voltage Detector function is controlled using a single register with the name LVDC. Three bits in this register, $V_{LVD2} \sim V_{LVD0}$, are used to select one of eight fixed voltages below which a low voltage condition will be determined. A low voltage condition is indicated when the LVDO bit is set. If the LVDO bit is low, this indicates that the V_{DD} voltage is above the preset low voltage value. The LVDEN bit is used to control the overall on/off function of the low voltage detector. Setting the bit high will enable the low voltage detector. Clearing the bit to zero will switch off the internal low voltage detector circuits. As the low voltage detector will consume a certain amount of power, it may be desirable to switch off the circuit when not in use, an important consideration in power sensitive battery powered applications.

• LVDC Register

Bit	7	6	5	4	3	2	1	0
Name	—	—	LVDO	LVDEN	VBGEN	VLVD2	VLVD1	VLVD0
R/W	—	—	R	R/W	R/W	R/W	R/W	R/W
POR	—	—	0	0	0	0	0	0

Bit 7~6 Unimplemented, read as “0”

Bit 5 **LVDO**: LVD Output flag
0: No Low Voltage Detected
1: Low Voltage Detected

Bit 4 **LVDEN**: Low Voltage Detector Enable control
0: Disable
1: Enable

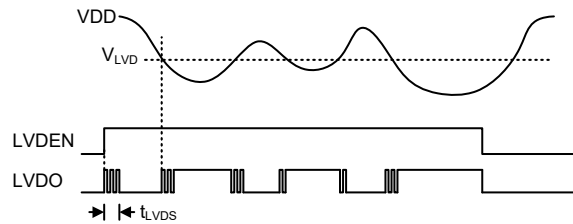
Bit 3 **VBGEN**: Bandgap Voltage Output Enable control
0: Disable
1: Enable

Note that the Bandgap circuit is enabled when the LVD or LVR function is enabled or when the VBGEN bit is set to 1.

Bit 2~0	VLVD2~VLVD0: LVD Voltage selection
	000: 2.0V
	001: 2.2V
	010: 2.4V
	011: 2.7V
	100: 3.0V
	101: 3.3V
	110: 3.6V
	111: 4.0V

LVD Operation

The Low Voltage Detector function operates by comparing the power supply voltage, V_{DD} , with a pre-specified voltage level stored in the LVDC register. This has a range of between 2.0V and 4.0V. When the power supply voltage, V_{DD} , falls below this pre-determined value, the LVDO bit will be set high indicating a low power supply voltage condition. The Low Voltage Detector function is supplied by a reference voltage which will be automatically enabled. When the devices are in the SLEEP mode, the low voltage detector will be disabled even if the LVDEN bit is high. After enabling the Low Voltage Detector, a time delay t_{LVDS} should be allowed for the circuitry to stabilise before reading the LVDO bit. Note also that as the V_{DD} voltage may rise and fall rather slowly, at the voltage nears that of V_{LVD} , there may be multiple bit LVDO transitions.



LVD Operation

The Low Voltage Detector also has its own interrupt which is contained within one of the Multi-function interrupts, providing an alternative means of low voltage detection, in addition to polling the LVDO bit. The interrupt will only be generated after a delay of t_{LVD} after the LVDO bit has been set high by a low voltage condition. In this case, the LVF interrupt request flag will be set, causing an interrupt to be generated if V_{DD} falls below the preset LVD voltage. This will cause the devices to wake-up from the IDLE Mode, however if the Low Voltage Detector wake up function is not required then the LVF flag should be first set high before the devices enter the IDLE Mode.

USB Interface

The USB interface is a 4-wire serial bus that allows communication between a host device and up to 127 max peripheral devices on the same bus. A token based protocol method is used by the host device for communication control. Other advantages of the USB bus include live plugging and unplugging and dynamic device configuration. As the complexity of USB data protocol does not permit comprehensive USB operation information to be provided in this datasheet, the reader should therefore consult other external information for a detailed USB understanding.

The devices include a USB interface function allowing for the convenient design of USB peripheral products.

Power Plane

There are three power planes for the devices and they are USB SIE VDD, VDDIO and the MCU VDD.

For the USB SIE VDD it will supply power for all circuits related to USB SIE and is sourced from UBUS pin. Once the USB is removed from the USB interface and there is no power in the USB BUS, the USB SIE circuit is no longer operational.

For the PA port, the power can be supplied by the VDD, V330 or VDDIO pin selected using the PMPS register.

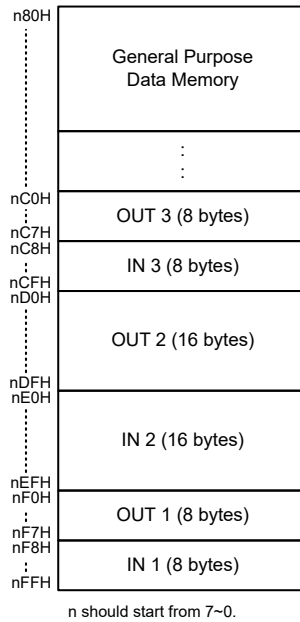
The VDDIO is pin-shared with PE0 and VREF pins. The VDDIO function can be selected by the corresponding pin-shared function selection bits.

For the MCU VDD, it supplies power for all the device circuits except the USB SIE which is supplied by UBUS.

USB Interface Operation

To communicate with an external USB host, the internal USB module has the external pins known as UDP and UDN along with the 3.3V regulator output V330. A Serial Interface Engine (SIE) decodes the incoming USB data stream and transfers it to the correct endpoint buffer memory known as the FIFO. The USB module has 8 endpoints, EP0 ~ EP7, and the FIFO size for each endpoint except endpoint 0 can respectively be configured using the UFC0~UFC2 registers by application programs. All endpoints except endpoint 0 can be configured to have 8, 16, 32 or 64 bytes together with the FIFO registers as the FIFO size. The endpoint 0 has 8-byte FIFO size. The endpoint 0 supports the Control transfer while the endpoint 1 ~ endpoint 7 support the Interrupt or Bulk transfer.

As the USB FIFO is assigned from the last sector of the General Purpose Data Memory and has a start address to the upper address, dependent on the FIFO size, if the corresponding data RAM sector is used for both general purpose RAM and the USB FIFO, special care should be taken that the RAM EQU definition should not overlap with the USB FIFO RAM address. The USB FIFO size and definition for IN/OUT control depends upon the UFC0~UFC2, UFIEN and UFOEN registers.



USB FIFO Size Configuration Example

USB Interface Registers

The USB function control is implemented using a series of registers. A series of status registers provide the user with the USB data transfer situation as well as any error conditions. The USB contains its own independent interrupt which can be used to indicate when the USB FIFOs are accessed by the host device or a change of the USB operating conditions including the USB suspend mode, resume event or USB reset occurs.

Register Name	Bit							
	7	6	5	4	3	2	1	0
SYSC	—	USBDIS	RUBUS	UBUSF	—	—	D1	ESDF
USB_STAT	OD10	OD00	OD11	OD01	SE1	SE0	PU	—
UINT	EP7EN	EP6EN	EP5EN	EP4EN	EP3EN	EP2EN	EP1EN	EP0EN
USC	URD	UMS2	UMS1	UMS0	RESUME	URST	RMWK	SUSP
UESR	EP7F	EP6F	EP5F	EP4F	EP3F	EP2F	EP1F	EP0F
UCC	RCTRL	—	JSUSP	SUSP2	USBCKEN	EPS2	EPS1	EPS0
AWR	AD6	AD5	AD4	AD3	AD2	AD1	AD0	WKEN
STLI	STLI7	STLI6	STLI5	STLI4	STLI3	STLI2	STLI1	STLI0
STLO	STLO7	STLO6	STLO5	STLO4	STLO3	STLO2	STLO1	—
SIES	NMI	UERR2	UERR1	UERR0	IN	OUT	UFERR	ASET
MISC	LEN0	READY	SETCMD	V33OS	—	CLEAR	TX	REQUEST
UFIEN	SETI7	SETI6	SETI5	SETI4	SETI3	SETI2	SETI1	FIFO_DEF
UFOEN	SETO7	SETO6	SETO5	SETO4	D3	D2	SETO1	DATATG
UFC0	E3FS1	E3FS0	E2FS1	E2FS0	E1FS1	E1FS0	—	—
UFC1	E7FS1	E7FS0	E6FS1	E6FS0	E5FS1	E5FS0	E4FS1	E4FS0
UFC2	—	—	—	—	D3	E3IDB	D1	E2IDB
FIFO0	D7	D6	D5	D4	D3	D2	D1	D0
FIFO1	D7	D6	D5	D4	D3	D2	D1	D0
FIFO2	D7	D6	D5	D4	D3	D2	D1	D0
FIFO3	D7	D6	D5	D4	D3	D2	D1	D0

Register Name	Bit							
	7	6	5	4	3	2	1	0
FIFO4	D7	D6	D5	D4	D3	D2	D1	D0
FIFO5	D7	D6	D5	D4	D3	D2	D1	D0
FIFO6	D7	D6	D5	D4	D3	D2	D1	D0
FIFO7	D7	D6	D5	D4	D3	D2	D1	D0

USB Interface Registers List

• SYSC Register

Bit	7	6	5	4	3	2	1	0
Name	—	USBDIS	RUBUS	UBUSF	—	—	D1	ESDF
R/W	—	R/W	R/W	R	—	—	R/W	R/W
POR	—	0	0	0	—	—	0	x

“x”: unknown

- Bit 7 Unimplemented, read as “0”
- Bit 6 **USBDIS**: USB SIE function control
0: Enable
1: Disable

This bit is used to control the USB SIE function. When this bit is set to 1, the USB SIE function will be disabled.
- Bit 5 **RUBUS**: UBUS pin pull low function control
0: Enable
1: Disable
- Bit 4 **UBUSF**: UBUS pin input status
0: Low level
1: High level
- Bit 3~2 Unimplemented, read as “0”
- Bit 1 **D1**: Reserved bit, cannot be used and must be fixed at 0
- Bit 0 **ESDF**: ESD issue flag

This bit will be set to 1 when there is an ESD issue. It is set by SIE and cleared by software.

• USB_STAT Register

Bit	7	6	5	4	3	2	1	0
Name	OD1O	OD0O	OD1I	OD0I	SE1	SE0	PU	—
R/W	R/W	R/W	R	R	R/W	R/W	R/W	—
POR	1	1	x	x	0	0	0	—

“x”: unknown

- Bit 7 **OD1O**: Output data on OD1 pin, open drain NMOS output
- Bit 6 **OD0O**: Output data on OD0 pin, open drain NMOS output
- Bit 5 **OD1I**: OD1 pin input status
- Bit 4 **OD0I**: OD0 pin input status
- Bit 3 **SE1**: USB bus SE1 noise indication

This bit is used to indicate that the SIE has detected a SE1 noise on the USB bus. This bit is set by SIE and cleared by software.
- Bit 2 **SE0**: USB bus SE0 noise indication

This bit is used to indicate that the SIE has detected a SE0 noise on the USB bus. This bit is set by SIE and cleared by software.

- Bit 1 **PU**: UDP/UDN pins pull-high function control
 0: Disable – no internal pull-high resistor
 1: Enable – internal 600kΩ pull-high resistor on UDP/UDN pins
- Bit 0 Unimplemented, read as “0”

• UINT Register

Bit	7	6	5	4	3	2	1	0
Name	EP7EN	EP6EN	EP5EN	EP4EN	EP3EN	EP2EN	EP1EN	EP0EN
R/W	R/W	R/W	R/W	R/W	R/W	R/W	R/W	R/W
POR	0	0	0	0	0	0	0	0

- Bit 7 **EP7EN**: USB endpoint 7 interrupt enable control
 0: Disable
 1: Enable
- Bit 6 **EP6EN**: USB endpoint 6 interrupt enable control
 0: Disable
 1: Enable
- Bit 5 **EP5EN**: USB endpoint 5 interrupt enable control
 0: Disable
 1: Enable
- Bit 4 **EP4EN**: USB endpoint 4 interrupt enable control
 0: Disable
 1: Enable
- Bit 3 **EP3EN**: USB endpoint 3 interrupt enable control
 0: Disable
 1: Enable
- Bit 2 **EP2EN**: USB endpoint 2 interrupt enable control
 0: Disable
 1: Enable
- Bit 1 **EP1EN**: USB endpoint 1 interrupt enable control
 0: Disable
 1: Enable
- Bit 0 **EP0EN**: USB endpoint 0 interrupt enable control
 0: Disable
 1: Enable

• USC Register

Bit	7	6	5	4	3	2	1	0
Name	URD	UMS2	UMS1	UMS0	RESUME	URST	RMWK	SUSP
R/W	R/W	R/W	R/W	R/W	R	R/W	R/W	R
POR	1	0	0	0	x	x	x	x

“x”: unknown

- Bit 7 **URD**: USB reset signal reset function control
 0: USB reset signal cannot reset MCU
 1: USB reset signal will reset MCU
- Bit 6~4 **UMS2~UMS0**: USB and OD mode select
 000: No mode available – The V330 output will be floating. The relevant external pins will be in an input floating state.
 001: Open drain output mode – The V330 output will be pulled high to VDD. The relevant external pins will become OD0/OD1 pins with a pull-high resistor respectively connected to VDD.
 01x: USB mode – The V330 function will be enabled. The relevant external pins will be used as the UDP and UDN pins.
 100~111: Undefined, the OD0/OD1 will be in a floating state.

- Bit 3 **RESUME**: USB resume indication
 0: Resume signal is not asserted or USB device has left the suspend mode
 1: Resume signal is asserted and USB device is going to leave the suspend mode
 This bit is read only. When the resume event occurs, this bit will be set high by SIE and then an interrupt will also be generated to wake up the MCU. In order to detect the suspend state, the MCU should set the USBCKEN bit to 1 and clear the SUSP2 bit to 0. When the USB device leaves the suspend mode, the SUSP bit will be cleared to 0 and then the RESUME bit will also be cleared to 0. The resume signal which causes the MCU to wake up should be noted and taken into consideration when the MCU is detecting the suspend mode.
- Bit 2 **URST**: USB reset indication
 0: No USB reset event occurs
 1: USB reset event occurs
 This bit is set and cleared by the SIE. When the URST bit is set high, it indicates that a USB reset event has occurred and a USB interrupt will be generated.
- Bit 1 **RMWK**: USB remote wake-up command
 0: No USB remote wake-up command initiated
 1: Initiate USB remote wake-up command
 The RMWK bit is set to 1 by the MCU to force the USB host leaving the suspend mode. Setting the RMWK bit to 1 will initiate a remote wake-up command. The RMWK bit should be kept high for at least 1 USB clock to make sure that the remote wake-up command is accepted by the SIE.
- Bit 0 **SUSP**: USB suspend indication
 0: USB leaves the suspend mode
 1: USB enters the suspend mode
 This bit is read only and set to 1 by the SIE to indicate that the USB has entered the suspend mode. The corresponding interrupt will also be generated when the SUSP bit changes from low to high.

• **UESR Register**

The UESR register is the USB endpoint interrupt status register and is used to indicate which endpoint is accessed and to select the USB bus. The endpoint request flags, EPnF, are used to indicate which endpoints are accessed. If an endpoint is accessed, the related endpoint request flag will be set to “1” and the USB interrupt will occur if the USB interrupt is enabled and the stack is not full. When the active endpoint request flag is serviced, the endpoint request flag has to be cleared to “0” by software.

Bit	7	6	5	4	3	2	1	0
Name	EP7F	EP6F	EP5F	EP4F	EP3F	EP2F	EP1F	EP0F
R/W	R/W	R/W	R/W	R/W	R/W	R/W	R/W	R/W
POR	x	x	x	x	x	x	x	x

“x”: unknown

- Bit 7 **EP7F**: Endpoint 7 access interrupt request flag
 0: Not accessed
 1: Accessed
- Bit 6 **EP6F**: Endpoint 6 access interrupt request flag
 0: Not accessed
 1: Accessed
- Bit 5 **EP5F**: Endpoint 5 access interrupt request flag
 0: Not accessed
 1: Accessed

- Bit 4 **EP4F**: Endpoint 4 access interrupt request flag
 0: Not accessed
 1: Accessed
- Bit 3 **EP3F**: Endpoint 3 access interrupt request flag
 0: Not accessed
 1: Accessed
- Bit 2 **EP2F**: Endpoint 2 access interrupt request flag
 0: Not accessed
 1: Accessed
- Bit 1 **EP1F**: Endpoint 1 access interrupt request flag
 0: Not accessed
 1: Accessed
- Bit 0 **EP0F**: Endpoint 0 access interrupt request flag
 0: Not accessed
 1: Accessed

• **UCC Register**

Bit	7	6	5	4	3	2	1	0
Name	RCTRL	—	JSUSP	SUSP2	USBCKEN	EPS2	EPS1	EPS0
R/W	R/W	—	R	R/W	R/W	R/W	R/W	R/W
POR	0	—	0	x	0	x	x	x

“x”: unknown

- Bit 7 **RCTRL**: 7.5kΩ resistor between UDP and UBUS connection control
 0: Disable – No 7.5kΩ resistor is connected between UDP and UBUS lines
 1: Enable – 7.5kΩ resistor is connected between UDP and UBUS lines
- Bit 6 Unimplemented, read as “0”
- Bit 5 **JSUSP**: USB J-STATE Suspend mode Indication
 0: USB interface is not in the J-STATE suspend mode
 1: USB interface is in the J-STATE suspend mode
 This bit indicates whether the USB interface is in the J-STATE suspend mode or not.
- Bit 4 **SUSP2**: USB suspend mode current reduction control
 0: Current reduction is disabled in suspend mode
 1: Current reduction is enabled in suspend mode
 The current can be reduced to meet the USB standard specification if this bit is set to 1 when entering the suspend mode.
- Bit 3 **USBCKEN**: USB clock enable control
 0: Disable
 1: Enable
- Bit 2~0 **EPS2~EPS0**: Endpoint FIFO access selection
 000: Endpoint 0 FIFO is selected
 001: Endpoint 1 FIFO is selected
 010: Endpoint 2 FIFO is selected
 011: Endpoint 3 FIFO is selected
 100: Endpoint 4 FIFO is selected
 101: Endpoint 5 FIFO is selected
 110: Endpoint 6 FIFO is selected
 111: Endpoint 7 FIFO is selected

• **AWR Register**

The AWR register contains the current address and a remote wake up function control bit. The initial value of AWR is “00H”. The address value extracted from the USB host command is immediately loaded into this register or not is determined by the ASET bit in the SIES register.

Bit	7	6	5	4	3	2	1	0
Name	AD6	AD5	AD4	AD3	AD2	AD1	AD0	WKEN
R/W	R/W	R/W	R/W	R/W	R/W	R/W	R/W	R/W
POR	x	x	x	x	x	x	x	x

“x”: unknown

Bit 7~1 **AD6~AD0**: USB device address bit 6 ~ bit 0

Bit 0 **WKEN**: USB remote wake-up enable control
0: Disable
1: Enable

STLI/STLO Registers

The STLI/STLO registers show whether the corresponding endpoint has worked properly or not. As soon as an endpoint improper IN/OUT operation occurs, the related bit in the STLI/STLO registers has to be set high by application program. The STLI/STLO registers content will be cleared by a USB reset signal and a setup token event.

• **STLI Register**

Bit	7	6	5	4	3	2	1	0
Name	STLI7	STLI6	STLI5	STLI4	STLI3	STLI2	STLI1	STLI0
R/W	R/W	R/W	R/W	R/W	R/W	R/W	R/W	R/W
POR	x	x	x	x	x	x	x	x

“x”: unknown

Bit 7~0 **STLI7~STLI0**: USB endpoint n FIFO IN operation stall indication
0: Endpoint n FIFO IN operation is not stalled
1: Endpoint n FIFO IN operation is stalled

The STLIn bit is set by user when the USB endpoint n is stalled. The STLIn bit is cleared by a USB reset signal. For endpoint 0 the STLI0 bit can also be cleared by a SETUP token event.

• **STLO Register**

Bit	7	6	5	4	3	2	1	0
Name	STLO7	STLO6	STLO5	STLO4	STLO3	STLO2	STLO1	—
R/W	R/W	R/W	R/W	R/W	R/W	R/W	R/W	—
POR	x	x	x	x	x	x	x	—

“x”: unknown

Bit 7~1 **STLO7~STLO1**: USB endpoint n FIFO OUT operation stall indication
0: Endpoint n FIFO OUT operation is not stalled
1: Endpoint n FIFO OUT operation is stalled

The STLOn bit is set by user when the USB endpoint n is stalled. The STLOn bit is cleared by a USB reset signal.

Bit 0 Unimplemented, read as “0”

• **SIES Register**

The SIES register is used to indicate the present signal state which the SIE receives and also controls whether the SIE changes the device address automatically or not.

Bit	7	6	5	4	3	2	1	0
Name	NMI	UERR2	UERR1	UERR0	IN	OUT	UFERR	ASET
R/W	R/W	R/W	R/W	R/W	R	R/W	R/W	R/W
POR	x	x	x	x	x	x	x	x

“x”: unknown

- Bit 7 NMI:** NAK token interrupt mask control
 0: NAK token interrupt is not masked
 1: NAK token interrupt is masked
 If this bit is set to 1, the interrupt will not be generated when the devices send a NAK token to the USB host. Otherwise, the endpoint n NAK token interrupt will be generated if the corresponding endpoint interrupt control is enabled when this bit is set to 0 and the devices send a NAK token to the USB host.
- Bit 6~4 UERR2~UERR0:** USB SIE error status
 0xx: No error
 100: USB PID error
 101: Bit stuffing error
 110: CRC error
 111: Host no response to SIE
 These bits indicate which kind of error is detected by the USB SIE. These bits are set by the USB SIE and cleared by the application program.
- Bit 3 IN:** IN token indication
 0: The received token packet is not IN token
 1: The received token packet is IN token
 The IN bit is used to indicate whether the current token packet received from the USB host is IN token or not.
- Bit 2 OUT:** OUT token indication
 0: The received token packet is not OUT token
 1: The received token packet is OUT token
 The OUT bit is used to indicate whether the token received from the USB host is OUT token or not except the OUT zero length token. This bit should be cleared to 0 by application program after an OUT data has been read. Note that this bit will also be cleared when the next valid SETUP token is received.
- Bit 1 UFERR:** FIFO access error indication
 0: No error occurs
 1: Error occurs
 This bit is used to indicate whether the USB bus errors, such as CRC error, PID error or bit stuffing error, etc., has occurred or not when the FIFO is accessed. This bit is set by SIE and cleared by application program.
- Bit 0 ASET:** Device address update method control
 0: Device address is immediately updated when an address is written into the AWR register
 1: Device address is updated after the devices IN token data have completely been read by the USB host
 This bit is used to configure the SIE to automatically change the device address by the value stored in the AWR register. When this bit is set to “1” by firmware, the SIE will update the device address by the value stored in the AWR register after the USB host has successfully read the data from the devices by an IN operation. Otherwise, when this bit is cleared to “0”, the SIE will update the device address immediately after an address is written to the AWR register. Therefore, in order to operate properly, the firmware has to clear this bit after a next valid SETUP token is received.

• MISC Register

Bit	7	6	5	4	3	2	1	0
Name	LEN0	READY	SETCMD	V33OS	—	CLEAR	TX	REQUEST
R/W	R	R	R/W	R/W	—	R/W	R/W	R/W
POR	x	x	x	0	—	x	x	x

“x”: unknown

- Bit 7 **LEN0**: Zero-length packet indication
 0: The received packet is not zero-length packet
 1: The received packet is zero-length packet
 This bit is used to show whether the USB host sends a zero-length packet or not. It is set by Hardware and cleared by Firmware. It will also be cleared by hardware after the MCU receives a valid USB SETUP token.
- Bit 6 **READY**: Endpoint FIFO ready indication
 0: The desired endpoint FIFO is not ready
 1: The desired endpoint FIFO is ready
- Bit 5 **SETCMD**: SETUP command indication
 0: The data in the FIFO is not SETUP token
 1: The data in the FIFO is SETUP token
 This bit is set by hardware and cleared by application program.
- Bit 4 **V33OS**: Voltage select
 0: Internal V33O voltage
 1: External 3.3V LDO
- Bit 3 Unimplemented, read as “0”
- Bit 2 **CLEAR**: FIFO clear function enable control
 0: No operation
 1: Clear the requested endpoint FIFO
 This bit is used to clear the requested FIFO even if the corresponding FIFO is not ready. The CLEAR bit should be set to 1 to generate a positive pulse with a pulse width to clear the requested FIFO and then clear this bit to zero. After clearing the FIFO, the USB interface Out pipe endpoint can receive new data from the Host and In pipe endpoint can transfer new data to the Host.
- Bit 1 **TX**: Data transfer direction indication
 0: MCU read data from the USB FIFO
 1: MCU write data to the USB FIFO
 This bit defines the data transfer direction between the MCU and USB endpoint FIFO. When the TX bit is set to 1, it means that the MCU wants to write data to the USB endpoint FIFO. After the MCU write operation has completed, this bit has to be cleared to 0 before terminating the FIFO request to indicate the end of the data transfer. For a MCU read operation this bit has to be cleared to 0 to indicate that the MCU wants to read data from the USB endpoint FIFO. Then this bit has to be set to 1 before terminating the FIFO request to indicate the end of the data transfer after an MCU read operation completion.
- Bit 0 **REQUEST**: FIFO request control
 0: No request or request completion
 1: Request desired FIFO
 This bit is used to request an operation of the desired endpoint FIFO. After selecting the desired endpoint FIFO, the FIFO can be requested by setting this bit high. Then this bit should be cleared to zero after the operation completion.

• UFIEN Register

Bit	7	6	5	4	3	2	1	0
Name	SETI7	SETI6	SETI5	SETI4	SETI3	SETI2	SETI1	FIFO_DEF
R/W	R/W	R/W	R/W	R/W	R/W	R/W	R/W	R/W
POR	0	0	0	0	0	0	0	0

- Bit 7 **SETI7**: Endpoint 7 input FIFO enable control
0: Disable
1: Enable
- Bit 6 **SETI6**: Endpoint 6 input FIFO enable control
0: Disable
1: Enable
- Bit 5 **SETI5**: Endpoint 5 input FIFO enable control
0: Disable
1: Enable
- Bit 4 **SETI4**: Endpoint 4 input FIFO enable control
0: Disable
1: Enable
- Bit 3 **SETI3**: Endpoint 3 input FIFO enable control
0: Disable
1: Enable
- Bit 2 **SETI2**: Endpoint 2 input FIFO enable control
0: Disable
1: Enable
- Bit 1 **SETI1**: Endpoint 1 input FIFO enable control
0: Disable
1: Enable
- Bit 0 **FIFO_DEF**: FIFO configuration redefine enable control
0: Disable
1: Enable

If this bit is set to 1, the SIE will redefine the FIFO configuration. Then this bit will be automatically cleared to 0 by the SIE.

• UFOEN Register

Bit	7	6	5	4	3	2	1	0
Name	SETO7	SETO6	SETO5	SETO4	D3	D2	SETO1	DATATG
R/W	R/W	R/W	R/W	R/W	R/W	R/W	R/W	R/W
POR	0	0	0	0	0	0	0	0

- Bit 7 **SETO7**: Endpoint 7 output FIFO enable control
0: Disable
1: Enable
- Bit 6 **SETO6**: Endpoint 6 output FIFO enable control
0: Disable
1: Enable
- Bit 5 **SETO5**: Endpoint 5 output FIFO enable control
0: Disable
1: Enable
- Bit 4 **SETO4**: Endpoint 4 output FIFO enable control
0: Disable
1: Enable

- Bit 3~2 **D3~D2**: Reserved, must be set “00”
- Bit 1 **SETO1**: Endpoint 1 output FIFO enable control
0: Disable
1: Enable
- Bit 0 **DATATG**: Data token toggle control
0: DATA0 will be sent first
1: DATA1 will be sent first

This bit is used to select the Data token toggle bit. When this bit is cleared to 0, a DATA0 will first be sent in the following IN or OUT Data pipe for the requested endpoint FIFO. Otherwise, a DATA1 will be sent first followed by the successive IN or OUT data transfer.

• **UFC0 Register**

Bit	7	6	5	4	3	2	1	0
Name	E3FS1	E3FS0	E2FS1	E2FS0	E1FS1	E1FS0	—	—
R/W	R/W	R/W	R/W	R/W	R/W	R/W	—	—
POR	0	0	0	0	0	0	—	—

- Bit 7~6 **E3FS1~E3SF0**: Endpoint 3 FIFO size selection
00: 8 bytes
01: 16 bytes
10: 32 bytes
11: 64 bytes
- Bit 5~4 **E2FS1~E2SF0**: Endpoint 2 FIFO size selection
00: 8 bytes
01: 16 bytes
10: 32 bytes
11: 64 bytes
- Bit 3~2 **E1FS1~E1SF0**: Endpoint 1 FIFO size selection
00: 8 bytes
01: 16 bytes
10: 32 bytes
11: 64 bytes
- Bit 1~0 Unimplemented, read as “0”

• **UFC1 Register**

Bit	7	6	5	4	3	2	1	0
Name	E7FS1	E7FS0	E6FS1	E6FS0	E5FS1	E5FS0	E4FS1	E4FS0
R/W	R/W	R/W	R/W	R/W	R/W	R/W	R/W	R/W
POR	0	0	0	0	0	0	0	0

- Bit 7~6 **E7FS1~E7SF0**: Endpoint 7 FIFO size selection
00: 8 bytes
01: 16 bytes
10: 32 bytes
11: 64 bytes

- Bit 5~4 **E6FS1~E6SF0**: Endpoint 6 FIFO size selection
 00: 8 bytes
 01: 16 bytes
 10: 32 bytes
 11: 64 bytes
- Bit 3~2 **E5FS1~E5SF0**: Endpoint 5 FIFO size selection
 00: 8 bytes
 01: 16 bytes
 10: 32 bytes
 11: 64 bytes
- Bit 1~0 **E4FS1~E4SF0**: Endpoint 4 FIFO size selection
 00: 8 bytes
 01: 16 bytes
 10: 32 bytes
 11: 64 bytes

• **UFC2 Register**

Bit	7	6	5	4	3	2	1	0
Name	—	—	—	—	D3	E3IDB	D1	E2IDB
R/W	—	—	—	—	R/W	R/W	R/W	R/W
POR	—	—	—	—	0	0	0	0

- Bit 7~4 Unimplemented, read as “0”
- Bit 3 **D3**: Reserved, must be set “0”
- Bit 2 **E3IDB**: Endpoint 3 input FIFO size for single or double buffer selection
 0: Single buffer
 1: Double buffer
- Bit 1 **D1**: Reserved, must be set “0”
- Bit 0 **E2IDB**: Endpoint 2 input FIFO size for single or double buffer selection
 0: Single buffer
 1: Double buffer

FIFOn Registers

The FIFOn Register is used for data transactions storages between the USB device and the USB host. The MCU reads data from or writes data to the FIFOn via the specific combination of the corresponding control and selection bits.

Name	Type	POR	Descriptions
FIFO0	R/W	xxxx xxxx	Endpoint 0 Data Pipe
FIFO1	R/W	xxxx xxxx	Endpoint 1 Data Pipe
FIFO2	R/W	xxxx xxxx	Endpoint 2 Data Pipe
FIFO3	R/W	xxxx xxxx	Endpoint 3 Data Pipe
FIFO4	R/W	xxxx xxxx	Endpoint 4 Data Pipe
FIFO5	R/W	xxxx xxxx	Endpoint 5 Data Pipe
FIFO6	R/W	xxxx xxxx	Endpoint 6 Data Pipe
FIFO7	R/W	xxxx xxxx	Endpoint 7 Data Pipe

“x”: unknown

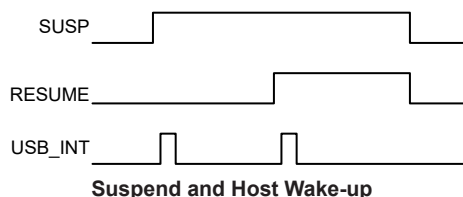
USB Suspend Mode and Wake-Up

USB Suspend Mode

If there is no signal on the USB bus for over 3ms, the USB device will enter the suspend mode. The Suspend flag, SUSP, in the USC register will then be set high and an USB interrupt will be generated to indicate that the devices should jump to the suspend state to meet the requirements of the USB suspend current specification. In order to meet the requirements of the suspend current; the firmware should disable the USB clock by clearing the USBCKEN bit to “0”. The suspend mode current can be further decreased by setting the SUSP2 bit in the UCC register.

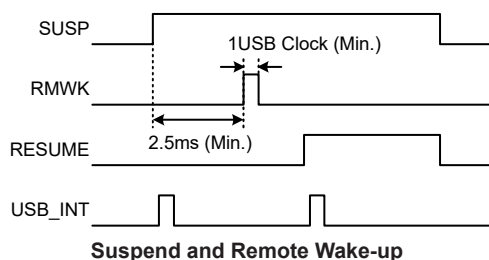
USB Host Wake-up

When the resume signal is asserted by the USB host, the devices will be woken up by the USB interrupt and the RESUME bit in the USC register will be set. To ensure correct device operation, the application program should set the USBCKEN bit high and the USB host will start to communicate with the USB device. Then the SUSP2 bit will be cleared low together with the RESUME bit when the USB device actually leaves the suspend mode. Therefore, when the devices detect the suspend bit, SUSP2, the resume bit, RESUME, should be monitored and taken into consideration.



USB Remote Wake-up

As the USB device has a remote wake-up function, the USB device can wake up the USB host by sending a remote wake-up pulse which is generated by setting the RMWK bit high. Once the USB host receives a remote wake-up signal from the USB device, the host will send a resume signal to devices.



USB Interrupts

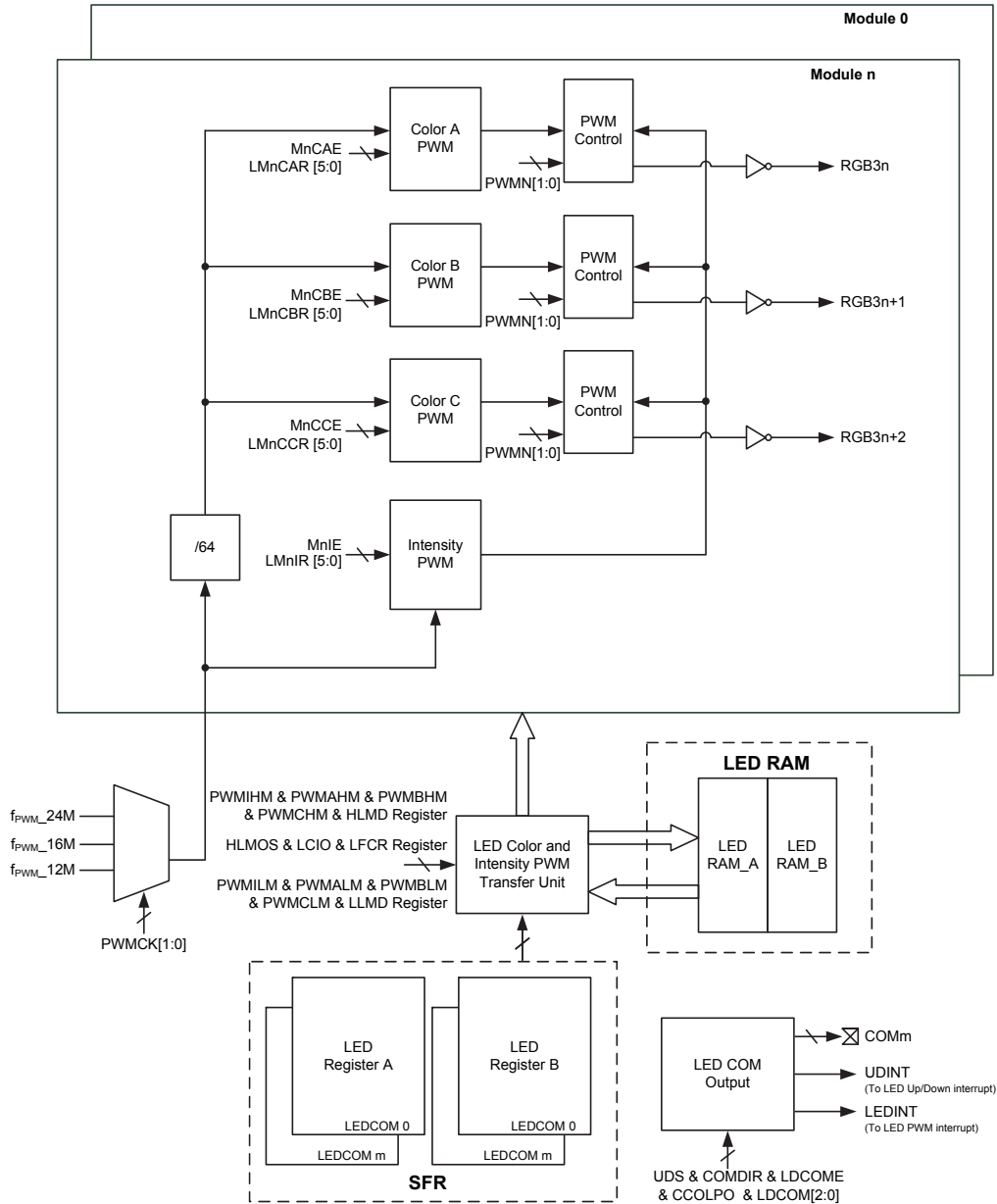
Several USB conditions can generate an USB interrupt. When one of these conditions exists, an interrupt pulse will be generated to get the attention of the microcontroller. These conditions are the USB suspended, USB resumed, USB reset and USB endpoint FIFO access events. When the USB interrupt caused by any of these conditions occurs, if the corresponding interrupt control is enabled and the stack is not full, the program will jump to the corresponding interrupt vector where it can be serviced before returning to the main program.

For the USB Endpoint FIFO access event, there are the corresponding indication flags to indicate which endpoint FIFO is accessed. As the Endpoint FIFO access flag is set, it will generate a USB interrupt if the associated Endpoint FIFO pipe and interrupt control are both enabled. The Endpoint FIFO access flags should be cleared by the application program. As the USB suspended or USB resume condition occurs, the corresponding indication flag, known as SUSP and RESUME bits, will

be set and a USB interrupt will directly generate without enabling the associated interrupt control bit. The SUSP and RESUME bits are read only and set or cleared by the USB SIE. For a USB interrupt occurred to be serviced, in addition to the bits for the corresponding interrupt enable control in USB module being set, the global interrupt enable control and the related interrupt enable control bits in the host MCU must also be set. If these bits are not set, then no interrupt will be serviced.

PWM for RGB LED

The devices include a PWM function for RGB LED application, which is composed of n LED PWM modules, LED Page RAM & Register transfer unit and a LED COM output unit.



Note: n=0~4 for HT66FB572; n=0~7 for HT66FB574; n=0~F for HT66FB576, while m=0~7 for the series devices.

PWM for RGB LED Block Diagram

PWM Registers

Overall operation of the PWM function for RGB LED is controlled using a series of registers.

Register Name	Bit							
	7	6	5	4	3	2	1	0
LCIO0	CBPWM3	CBPWM2	CBPWM1	CBPWM0	CAPWM3	CAPWM2	CAPWM1	CAPWM0
LCIO1	IPWM3	IPWM2	IPWM1	IPWM0	CCPWM3	CCPWM2	CCPWM1	CCPWM0
LFCR	LFCR7	LFCR6	LFCR5	LFCR4	LFCR3	LFCR2	LFCR1	LFCR0
RACmE0 (HT66FB572)	—	—	—	RACm4	RACm3	RACm2	RACm1	RACm0
RACmE0 (HT66FB574/ HT66FB576)	RACm7	RACm6	RACm5	RACm4	RACm3	RACm2	RACm1	RACm0
RACmE1 (HT66FB576)	RACmF	RACmE	RACmD	RACmC	RACmB	RACmA	RACm9	RACm8
RBCmE0(HT66FB572)	—	—	—	RBCm4	RBCm3	RBCm2	RBCm1	RBCm0
RBCmE0 (HT66FB574/ HT66FB576)	RBCm7	RBCm6	RBCm5	RBCm4	RBCm3	RBCm2	RBCm1	RBCm0
RBCmE1 (HT66FB576)	RBCmF	RBCmE	RBCmD	RBCmC	RBCmB	RBCmA	RBCm9	RBCm8
LMnIR	MnIE	—	MnID5	MnID4	MnID3	MnID2	MnID1	MnID0
LMnCAR	MnCAE	—	MnCAD5	MnCAD4	MnCAD3	MnCAD2	MnCAD1	MnCAD0
LMnCBR	MnCBE	—	MnCBD5	MnCBD4	MnCBD3	MnCBD2	MnCBD1	MnCBD0
LMnCCR	MnCCE	—	MnCCD5	MnCCD4	MnCCD3	MnCCD2	MnCCD1	MnCCD0
PWMCTL0	PWMN1	PWMN0	PWMCK1	PWMCK0	LDCOME	LDCOM2	LDCOM1	LDCOM0
PWMCTL1	UCLPD	CCOLPO	COMDIR	UDS	D3	D2	PWMGE	PSEL
PWMILM	—	—	ILM5	ILM4	ILM3	ILM2	ILM1	ILM0
PWMALM	—	—	CALM5	CALM4	CALM3	CALM2	CALM1	CALM0
PWMBLM	—	—	CBLM5	CBLM4	CBLM3	CBLM2	CBLM1	CBLM0
PWMCLM	—	—	CCLM5	CCLM4	CCLM3	CCLM2	CCLM1	CCLM0
PWMIHM	—	—	IHM5	IHM4	IHM3	IHM2	IHM1	IHM0
PWMAHM	—	—	CAHM5	CAHM4	CAHM3	CAHM2	CAHM1	CAHM0
PWMBHM	—	—	CBHM5	CBHM4	CBHM3	CBHM2	CBHM1	CBHM0
PWMCHM	—	—	CCHM5	CCHM4	CCHM3	CCHM2	CCHM1	CCHM0
HLMOS	HMOS3	HMOS2	HMOS1	HMOS0	LMOS3	LMOS2	LMOS1	LMOS0
HLMD	—	—	HLMD5	HLMD4	HLMD3	HLMD2	HLMD1	HLMD0
LLMD	—	—	LLMD5	LLMD4	LLMD3	LLMD2	LLMD1	LLMD0

PWM Registers List

Note: n=0~4 for HT66FB572; n=0~7 for HT66FB574; n=0~F for HT66FB576, while m=0~7 for the series devices.

• LCIO0 Register

Bit	7	6	5	4	3	2	1	0
Name	CBPWM3	CBPWM2	CBPWM1	CBPWM0	CAPWM3	CAPWM2	CAPWM1	CAPWM0
R/W	R/W	R/W	R/W	R/W	R/W	R/W	R/W	R/W
POR	0	0	0	0	0	0	0	0

Bit 7~4 **CBPWM3~CBPWM0**: Offset value for LED module Color B PWM

Bit 3~0 **CAPWM3~CAPWM0**: Offset value for LED module Color A PWM

Note: 1. This register will be updated every column application program.

2. This register is only available in auto mode.

• LCIO1 Register

Bit	7	6	5	4	3	2	1	0
Name	IPWM3	IPWM2	IPWM1	IPWM0	CCPWM3	CCPWM2	CCPWM1	CCPWM0
R/W	R/W	R/W	R/W	R/W	R/W	R/W	R/W	R/W
POR	0	0	0	0	0	0	0	0

Bit 7~4 **IPWM3~IPWM0**: Offset value for LED module Intensity PWM

Bit 3~0 **CCPWM3~CCPWM0**: Offset value for LED module Color C PWM

Note: 1. This register will be updated every column application program.

2. This register is only available in auto mode.

• LFCR Register

Bit	7	6	5	4	3	2	1	0
Name	LFCR7	LFCR6	LFCR5	LFCR4	LFCR3	LFCR2	LFCR1	LFCR0
R/W	R/W	R/W	R/W	R/W	R/W	R/W	R/W	R/W
POR	0	0	0	0	0	0	0	0

Bit 7~0 **LFCR7~LFCR0**:

These bits determine the time interval, (LFCR+1) LED frames, to check whether to modify the corresponding PWM duty data in the LED RAM or not according to the current PWM mode.

Note: 1. This register will be updated every (LFCR+1) LED frames.

2. This register is only available in auto mode.

• RACmE0 Register – HT66FB572

Bit	7	6	5	4	3	2	1	0
Name	—	—	—	RACm4	RACm3	RACm2	RACm1	RACm0
R/W	—	—	—	R/W	R/W	R/W	R/W	R/W
POR	—	—	—	0	0	0	0	0

Bit 7~5 Unimplemented, read as “0”

Bit 4 **RACm4**: To store LED Page A COM_m and Module 4 PWM function output enable or disable control

0: Disable

1: Enable

Bit 3 **RACm3**: To store LED Page A COM_m and Module 3 PWM function output enable or disable control

0: Disable

1: Enable

Bit 2 **RACm2**: To store LED Page A COM_m and Module 2 PWM function output enable or disable control

0: Disable

1: Enable

Bit 1 **RACm1**: To store LED Page A COM_m and Module 1 PWM function output enable or disable control

0: Disable

1: Enable

Bit 0 **RACm0**: To store LED Page A COM_m and Module 0 PWM function output enable or disable control

0: Disable

1: Enable

Note: 1. If the PWM function output bit is disabled, the hardware will not plus or minus the corresponding offset value and also not restore to the LED RAM.

2. This register is only available in auto mode.

• RACmE0 Register – HT66FB574/HT66FB576

Bit	7	6	5	4	3	2	1	0
Name	RACm7	RACm6	RACm5	RACm4	RACm3	RACm2	RACm1	RACm0
R/W	R/W	R/W	R/W	R/W	R/W	R/W	R/W	R/W
POR	0	0	0	0	0	0	0	0

Bit 7 **RACm7**: To store LED Page A COM_m and Module 7 PWM function output enable or disable control

0: Disable
1: Enable

Bit 6 **RACm6**: To store LED Page A COM_m and Module 6 PWM function output enable or disable control

0: Disable
1: Enable

Bit 5 **RACm5**: To store LED Page A COM_m and Module 5 PWM function output enable or disable control

0: Disable
1: Enable

Bit 4 **RACm4**: To store LED Page A COM_m and Module 4 PWM function output enable or disable control

0: Disable
1: Enable

Bit 3 **RACm3**: To store LED Page A COM_m and Module 3 PWM function output enable or disable control

0: Disable
1: Enable

Bit 2 **RACm2**: To store LED Page A COM_m and Module 2 PWM function output enable or disable control

0: Disable
1: Enable

Bit 1 **RACm1**: To store LED Page A COM_m and Module 1 PWM function output enable or disable control

0: Disable
1: Enable

Bit 0 **RACm0**: To store LED Page A COM_m and Module 0 PWM function output enable or disable control

0: Disable
1: Enable

Note: 1. If the PWM function output bit is disabled, the hardware will not plus or minus the corresponding offset value and also not restore to the LED RAM.

2. This register is only available in auto mode.

• **RACmE1 Register – HT66FB576**

Bit	7	6	5	4	3	2	1	0
Name	RACmF	RACmE	RACmD	RACmC	RACmB	RACmA	RACm9	RACm8
R/W	R/W	R/W	R/W	R/W	R/W	R/W	R/W	R/W
POR	0	0	0	0	0	0	0	0

- Bit 7 **RACmF:** To store LED Page A COM_m and Module F PWM function output enable or disable control
0: Disable
1: Enable
- Bit 6 **RACmE:** To store LED Page A COM_m and Module E PWM function output enable or disable control
0: Disable
1: Enable
- Bit 5 **RACmD:** To store LED Page A COM_m and Module D PWM function output enable or disable control
0: Disable
1: Enable
- Bit 4 **RACmC:** To store LED Page A COM_m and Module C PWM function output enable or disable control
0: Disable
1: Enable
- Bit 3 **RACmB:** To store LED Page A COM_m and Module B PWM function output enable or disable control
0: Disable
1: Enable
- Bit 2 **RACmA:** To store LED Page A COM_m and Module A PWM function output enable or disable control
0: Disable
1: Enable
- Bit 1 **RACm9:** To store LED Page A COM_m and Module 9 PWM function output enable or disable control
0: Disable
1: Enable
- Bit 0 **RACm8:** To store LED Page A COM_m and Module 8 PWM function output enable or disable control
0: Disable
1: Enable

Note: 1. If the PWM function output bit is disabled, the hardware will not plus or minus the corresponding offset value and also not restore to the LED RAM.

2. This register is only available in auto mode.

• **RBCmE0 Register – HT66FB572**

Bit	7	6	5	4	3	2	1	0
Name	—	—	—	RBCm4	RBCm3	RBCm2	RBCm1	RBCm0
R/W	—	—	—	R/W	R/W	R/W	R/W	R/W
POR	—	—	—	0	0	0	0	0

Bit 7~5 Unimplemented, read as “0”

Bit 4 **RBCm4**: To store LED Page B COM_m and Module 4 PWM function output enable or disable control

0: Disable
1: Enable

Bit 3 **RBCm3**: To store LED Page B COM_m and Module 3 PWM function output enable or disable control

0: Disable
1: Enable

Bit 2 **RBCm2**: To store LED Page B COM_m and Module 2 PWM function output enable or disable control

0: Disable
1: Enable

Bit 1 **RBCm1**: To store LED Page B COM_m and Module 1 PWM function output enable or disable control

0: Disable
1: Enable

Bit 0 **RBCm0**: To store LED Page B COM_m and Module 0 PWM function output enable or disable control

0: Disable
1: Enable

Note: 1. If the PWM function output bit is disabled, the hardware will not plus or minus the corresponding offset value and also not restore to the LED RAM.

2. This register is only available in auto mode.

• **RBCmE0 Register – HT66FB574/HT66FB576**

Bit	7	6	5	4	3	2	1	0
Name	RBCm7	RBCm6	RBCm5	RBCm4	RBCm3	RBCm2	RBCm1	RBCm0
R/W	R/W	R/W	R/W	R/W	R/W	R/W	R/W	R/W
POR	0	0	0	0	0	0	0	0

Bit 7 **RBCm7**: To store LED Page B COM_m and Module 7 PWM function output enable or disable control

0: Disable
1: Enable

Bit 6 **RBCm6**: To store LED Page B COM_m and Module 6 PWM function output enable or disable control

0: Disable
1: Enable

Bit 5 **RBCm5**: To store LED Page B COM_m and Module 5 PWM function output enable or disable control

0: Disable
1: Enable

Bit 4 **RBCm4**: To store LED Page B COM_m and Module 4 PWM function output enable or disable control

0: Disable
1: Enable

- Bit 3 **RBCm3**: To store LED Page B COM_m and Module 3 PWM function output enable or disable control
 0: Disable
 1: Enable
- Bit 2 **RBCm2**: To store LED Page B COM_m and Module 2 PWM function output enable or disable control
 0: Disable
 1: Enable
- Bit 1 **RBCm1**: To store LED Page B COM_m and Module 1 PWM function output enable or disable control
 0: Disable
 1: Enable
- Bit 0 **RBCm0**: To store LED Page B COM_m and Module 0 PWM function output enable or disable control
 0: Disable
 1: Enable

Note: 1. If the PWM function output bit is disabled, the hardware will not plus or minus the corresponding offset value and also not restore to the LED RAM.

2. This register is only available in auto mode.

• **RBCmE1 Register – HT66FB576**

Bit	7	6	5	4	3	2	1	0
Name	RBCmF	RBCmE	RBCmD	RBCmC	RBCmB	RBCmA	RBCm9	RBCm8
R/W	R/W	R/W	R/W	R/W	R/W	R/W	R/W	R/W
POR	0	0	0	0	0	0	0	0

- Bit 7 **RBCmF**: To store LED Page B COM_m and Module F PWM function output enable or disable control
 0: Disable
 1: Enable
- Bit 6 **RBCmE**: To store LED Page B COM_m and Module E PWM function output enable or disable control
 0: Disable
 1: Enable
- Bit 5 **RBCmD**: To store LED Page B COM_m and Module D PWM function output enable or disable control
 0: Disable
 1: Enable
- Bit 4 **RBCmC**: To store LED Page B COM_m and Module C PWM function output enable or disable control
 0: Disable
 1: Enable
- Bit 3 **RBCmB**: To store LED Page B COM_m and Module B PWM function output enable or disable control
 0: Disable
 1: Enable
- Bit 2 **RBCmA**: To store LED Page B COM_m and Module A PWM function output enable or disable control
 0: Disable
 1: Enable
- Bit 1 **RBCm9**: To store LED Page B COM_m and Module 9 PWM function output enable or disable control
 0: Disable
 1: Enable

Bit 0 **RBCm8**: To store LED Page B COM_m and Module 8 PWM function output enable or disable control

0: Disable

1: Enable

Note: 1. If the PWM function output bit is disabled, the hardware will not plus or minus the corresponding offset value and also not restore to the LED RAM.

2. This register is only available in auto mode.

• **LMnIR Register**

Bit	7	6	5	4	3	2	1	0
Name	MnIE	—	MnID5	MnID4	MnID3	MnID2	MnID1	MnID0
R/W	R/W	—	R/W	R/W	R/W	R/W	R/W	R/W
POR	0	—	0	0	0	0	0	0

Bit 7 **MnIE**: Module n intensity PWM function enable or disable control

0: Disable, Intensity PWM counter = 0

1: Enable

Bit 6 Unimplemented, read as “0”

Bit 5~0 **MnID5~MnID0**: Duty data for Module n Intensity PWM

Note: This register is only available in manual mode.

• **LMnCAR Register**

Bit	7	6	5	4	3	2	1	0
Name	MnCAE	—	MnCAD5	MnCAD4	MnCAD3	MnCAD2	MnCAD1	MnCAD0
R/W	R/W	—	R/W	R/W	R/W	R/W	R/W	R/W
POR	0	—	0	0	0	0	0	0

Bit 7 **MnCAE**: Module n Color A PWM function enable or disable control

0: Disable, Color A PWM counter = 0

1: Enable

Bit 6 Unimplemented, read as “0”

Bit 5~0 **MnCAD5~MnCAD0**: Duty data for Module n Color A PWM

Note: This register is only available in manual mode.

• **LMnCBR Register**

Bit	7	6	5	4	3	2	1	0
Name	MnCBE	—	MnCBD5	MnCBD4	MnCBD3	MnCBD2	MnCBD1	MnCBD0
R/W	R/W	—	R/W	R/W	R/W	R/W	R/W	R/W
POR	0	—	0	0	0	0	0	0

Bit 7 **MnCBE**: Module n Color B PWM function enable or disable control

0: Disable, Color B PWM counter = 0

1: Enable

Bit 6 Unimplemented, read as “0”

Bit 5~0 **MnCBD5~MnCBD0**: Duty data for Module n Color B PWM

Note: This register is only available in manual mode.

• LMnCCR Register

Bit	7	6	5	4	3	2	1	0
Name	MnCCCE	—	MnCCD5	MnCCD4	MnCCD3	MnCCD2	MnCCD1	MnCCD0
R/W	R/W	—	R/W	R/W	R/W	R/W	R/W	R/W
POR	0	—	0	0	0	0	0	0

Bit 7 **MnCCCE**: Module n Color C PWM function enable or disable control
 0: Disable, Color C PWM counter = 0
 1: Enable

Bit 6 Unimplemented, read as “0”

Bit 5~0 **MnCCD5~MnCCD0**: Duty data for Module n Color C PWM
 Note: This register is only available in manual mode.

• PWMCTL0 Register

Bit	7	6	5	4	3	2	1	0
Name	PWMN1	PWMN0	PWMCK1	PWMCK0	LDCOME	LDCOM2	LDCOM1	LDCOM0
R/W	R/W	R/W	R/W	R/W	R/W	R/W	R/W	R/W
POR	0	0	0	0	0	0	0	0

Bit 7~6 **PWMN1~PWMN0**: Number of PWM output each COM
 00: 3 times PWM waveform output
 01: 2 times PWM waveform output
 10: 1 time PWM waveform output
 11: 4 times PWM waveform output

These bits can be changed when the PWM for RGB LED function is configured in manual mode or the PWMGE bit is disabled.

Bit 5~4 **PWMCK1~PWMCK0**: LED PWM Modules clock source selection (f_{PWM})
 00: 16MHz
 01: 24MHz
 10: Reserved
 11: 12MHz

These bits can be changed when the PWM for RGB LED function is configured in manual mode or the PWMGE bit is disabled.

When the LED PWM Module clock is derived from 24MHz clock source, the V_{DD} voltage has to be greater than 4.2V.

Bit 3 **LDCOME**: LED hardware COM function enable or disable control
 0: Disable, manual mode, users should fill the related registers by the application program.
 1: Enable, auto mode, the LED hardware automatically completes the related duty, mode operation and COM output.

Bit 2~0 **LDCOM2~LDCOM0**: Hardware COM output selection
 000: COM 0 output
 001: COM 0~1 output
 010: COM 0~2 output
 011: COM 0~3 output
 100: COM 0~4 output
 101: COM 0~5 output
 110: COM 0~6 output
 111: COM 0~7 output

Note: The Hardware always chooses the selected COM(s) to output according the data in LDCOM2~LDCM0. But in the condition of $m <$ Hardware COM output selection value, the hardware will keep the corresponding PWM waveform output disabled in the extra COM .

These bits can be changed when the PWM for RGB LED function is configured in manual mode or the PWMGE bit is disabled.

• **PWMCTL1 Register**

Bit	7	6	5	4	3	2	1	0
Name	UCLPD	CCOLPO	COMDIR	UDS	D3	D2	PWMGE	PSEL
R/W	R/W	R/W	R/W	R/W	R/W	R/W	R/W	R/W
POR	0	1	0	0	0	0	0	0

- Bit 7 **UCLPD:** MCU update LED RAM PWM data control
 0: Disable – do not writing to LED RAM
 1: Enable – can writing to LED RAM
 The application program must take care to prevent hardware DMA and MCU from writing to the same address RAM simultaneously which will result in data error.
- Bit 6 **CCOLPO:** Output CCO Low pulse between two consecutive COMs output
 0: Disable
 1: Enable
 The low pulse is between two consecutive COMs.
- Bit 5 **COMDIR:** COM output polarity
 0: Low active
 1: High active
- Bit 4 **UDS:** PWM mode Up/Down selection
 0: PWM mode=01 indicates Down
 1: PWM mode=01 indicates Up
- Bit 3~2 **D[3:2]:** Reserved; must be set “01”
- Bit 1 **PWMGE:** Global LED Hardware function enable or disable control
 0: Disable
 1: Enable
- Bit 0 **PSEL:** To define which LED RAM and PWM enable Register is in action
 0: LED Page A RAM and register
 1: LED Page B RAM and register
 Note: LED hardware unit should monitor this bit after one frame PWM is completed.

• **PWMILM Register**

Bit	7	6	5	4	3	2	1	0
Name	—	—	ILM5	ILM4	ILM3	ILM2	ILM1	ILM0
R/W	—	—	R/W	R/W	R/W	R/W	R/W	R/W
POR	—	—	0	0	0	0	0	0

- Bit 7~6 Unimplemented, read as “0”
- Bit 5~0 **ILM5~ILM0:**
 These bits are used in PWM mode, Up/Down mode and breathing modes, for Intensity PWM. If the PWM duty is less than this value, the PWM offset value will change to LMOS[3:0].
 Note: The PWMIHM value must be greater than the PWMILM value since the hardware has no mistake-proof fuction.

• PWMALM Register

Bit	7	6	5	4	3	2	1	0
Name	—	—	CALM5	CALM4	CALM3	CALM2	CALM1	CALM0
R/W	—	—	R/W	R/W	R/W	R/W	R/W	R/W
POR	—	—	0	0	0	0	0	0

Bit 7~6 Unimplemented, read as “0”

Bit 5~0 **CALM5~CALM0:**

These bits are used in PWM mode, Up/Down mode and breathing modes, for Color A PWM. If the PWM duty is less than this value, the PWM offset value changes to LMOS[3:0].

Note: The PWMALM value must be greater than the PWMALM value since the hardware has no mistake-proof function.

• PWMBLM Register

Bit	7	6	5	4	3	2	1	0
Name	—	—	CBLM5	CBLM4	CBLM3	CBLM2	CBLM1	CBLM0
R/W	—	—	R/W	R/W	R/W	R/W	R/W	R/W
POR	—	—	0	0	0	0	0	0

Bit 7~6 Unimplemented, read as “0”

Bit 5~0 **CBLM5~CBLM0:**

These bits are used in PWM mode, Up/Down mode and breathing modes, for Color B PWM. If the PWM duty is less than this value, the PWM offset value changes to LMOS[3:0].

Note: The PWMBLM value must be greater than the PWMBLM value since the hardware has no mistake-proof function.

• PWMCLM Register

Bit	7	6	5	4	3	2	1	0
Name	—	—	CCLM5	CCLM4	CCLM3	CCLM2	CCLM1	CCLM0
R/W	—	—	R/W	R/W	R/W	R/W	R/W	R/W
POR	—	—	0	0	0	0	0	0

Bit 7~6 Unimplemented, read as “0”

Bit 5~0 **CCLM5~CCLM0:**

These bits are used in PWM mode, Up/Down mode and breathing modes, for Color C PWM. If the PWM duty is less than this value, the PWM offset value changes to LMOS[3:0].

Note: The PWMCLM value must be greater than the PWMCLM value since the hardware has no mistake-proof function.

• PWMIHM Register

Bit	7	6	5	4	3	2	1	0
Name	—	—	IHM5	IHM4	IHM3	IHM2	IHM1	IHM0
R/W	—	—	R/W	R/W	R/W	R/W	R/W	R/W
POR	—	—	1	1	1	1	1	1

Bit 7~6 Unimplemented, read as “0”

Bit 5~0 **IHM5~IHM0:**

These bits are used in PWM mode, Up/Down mode and breathing modes, for Intensity PWM. If the PWM duty is greater than this value, the PWM offset value will change to HMOS[3:0].

Note: The PWMIHM value must be greater than the PWMIHM value since the hardware has no mistake-proof function.

• **PWMAHM Register**

Bit	7	6	5	4	3	2	1	0
Name	—	—	CAHM5	CAHM4	CAHM3	CAHM2	CAHM1	CAHM0
R/W	—	—	R/W	R/W	R/W	R/W	R/W	R/W
POR	—	—	1	1	1	1	1	1

Bit 7~6 Unimplemented, read as “0”

Bit 5~0 **CAHM5~CAHM0:**

These bits are used in PWM mode, Up/Down mode and breathing modes, for Color A PWM. If the PWM duty is greater than this value, the PWM offset value changes to HMOS[3:0].

Note: The PWMAHM value must be greater than the PWMALM value since the hardware has no mistake-proof function.

• **PWMBHM Register**

Bit	7	6	5	4	3	2	1	0
Name	—	—	CBHM5	CBHM4	CBHM3	CBHM2	CBHM1	CBHM0
R/W	—	—	R/W	R/W	R/W	R/W	R/W	R/W
POR	—	—	1	1	1	1	1	1

Bit 7~6 Unimplemented, read as “0”

Bit 5~0 **CBHM5~CBHM0:**

These bits are used in PWM mode, Up/Down mode and breathing modes, for Color B PWM. If the PWM duty is greater than this value, the PWM offset value changes to HMOS[3:0].

Note: The PWMBHM value must be greater than the PWMBLM value since the hardware has no mistake-proof function.

• **PWMCHM Register**

Bit	7	6	5	4	3	2	1	0
Name	—	—	CCHM5	CCHM4	CCHM3	CCHM2	CCHM1	CCHM0
R/W	—	—	R/W	R/W	R/W	R/W	R/W	R/W
POR	—	—	1	1	1	1	1	1

Bit 7~6 Unimplemented, read as “0”

Bit 5~0 **CCHM5~CCHM0:**

These bits are used in PWM mode, Up/Down mode and breathing modes, for Color C PWM. If the PWM duty is greater than this value, the PWM offset value changes to HMOS[3:0].

Note: The PWMCHM value must be greater than the PWMCLM value since the hardware has no mistake-proof function.

• HLMOS Register

Bit	7	6	5	4	3	2	1	0
Name	HMOS3	HMOS2	HMOS1	HMOS0	LMOS3	LMOS2	LMOS1	LMOS0
R/W	R/W	R/W	R/W	R/W	R/W	R/W	R/W	R/W
POR	0	0	0	0	0	0	0	0

Bit 7~4 **HMOS3~HMOS0**: Define PWM offset value when PWM duty is greater than High Limit
 When the PWM duty is greater than the High Limit, PWMIHM, PWMAHM, PWMBHM or PWMCHM, the PWM offset value will change to HMOS[3:0].

Bit 3~0 **LMOS3~LMOS0**: Define PWM offset value when PWM duty is less than Low Limit
 When the PWM duty is less than the Low Limit, PWMILM, PWMALM, PWMBLM or PWMCLM, the PWM offset value will change to LMOS[3:0].

Note: 1. This register is only available in auto mode.

2. The Intensity, color A, color B or color C offset value will change from their original value defined in the LCIO0 or LCIO1 register to HMOS[3:0] or LMOS[3:0] when the PWM duty is greater than the High Limit, PWMIHM, PWMAHM, PWMBHM or PWMCHM, or less than the Low Limit, PWMILM, PWMALM, PWMBLM or PWMCLM.

• HLMD Register

Bit	7	6	5	4	3	2	1	0
Name	—	—	HLMD5	HLMD4	HLMD3	HLMD2	HLMD1	HLMD0
R/W	—	—	R/W	R/W	R/W	R/W	R/W	R/W
POR	—	—	1	1	1	1	1	1

Bit 7~6 Unimplemented, read as “0”

Bit 5~0 **HLMD5~HLMD0**: Define PWM duty High Limit data for Intensity, Color A, Color B and Color C duty PWM

Note: 1. This register is only available in auto mode.

2. The HLMD value must be greater than the LLMD value since the hardware has no mistake-proof function.

3. The initial PWM duty should be between LLMD and HLMD, otherwise the situation where the duty value is beyond the range of LLMD to HLMD will occur at first.

• LLMD Register

Bit	7	6	5	4	3	2	1	0
Name	—	—	LLMD5	LLMD4	LLMD3	LLMD2	LLMD1	LLMD0
R/W	—	—	R/W	R/W	R/W	R/W	R/W	R/W
POR	—	—	0	0	0	0	0	0

Bit 7~6 Unimplemented, read as “0”

Bit 5~0 **LLMD5~LLMD0**: Define PWM duty Low Limit data for Intensity, Color A, Color B and Color C duty PWM

Note: 1. This register is only available in auto mode.

2. The HLMD value must be greater than the LLMD value since the hardware has no mistake-proof function.

3. The initial PWM duty should be between LLMD and HLMD, otherwise the situation where the duty value is beyond the range of LLMD to HLMD will occur at first.

LED PWM Modules

The devices provide n LED PWM modules, each module contains four PWMs, they are three Color PWMs, namely CAPWM, CBPWM and CCPWM, and one Intensity PWM, namely IPWM. Each LED PWM module has the same architecture, the number of PWM segment outputs is $3(n+1)$ decided by the selected Module number n.

Device	Total PWM Module $4(n+1)$	Color PWM $3(n+1)$	Intensity PWM $(n+1)$
HT66FB572	20	15	5
HT66FB574	32	24	8
HT66FB576	64	48	16

Note: n=0~4 for HT66FB572; n=0~7 for HT66FB574; n=0~F for HT66FB576.

LED COM Output Unit

The devices provide a LED COM output unit used to output external enable m COM control signal. By using the Time Shared method combined with LED PWM modules, $3(n+1) \times (m+1)$ LED Segment PWM outputs can be generated, it can implement a up to $(m+1) \times (n+1)$ groups of RGB LED application. The number of LED COM outputs is determined by the LDCOM[2:0] bits and m, 1 to $(m+1)$ COM outputs can be selected.

LED RAM & Register Transfer Unit

There are two pages of LED RAM, LED Page A RAM and LED Page B RAM, each of which is used to respectively record PWM duty data, mode state and whether the PWM signal is enabled or not for $(m+1) \times (n+1)$ RGB LED. Each page is compose of $4 \times (n+1) \times (m+1)$ bytes RAM and $(m+1)$ bytes PWM module enable LED Registers. Users can determine which LED Page RAM is in action by the PSEL bit. Switching to the next page should not be performed until the last page has been completed.

The LED RAM & Register Transfer unit is used to change the LED page RAM data to the LED PWM module related registers data, and generate $(m+1) \times 3(n+1)$ LED segment PWM signals. In addition, the unit is also used for the addition or subtraction operation on LED RAM according to the different PWM modes, and then the results will be written back to the corresponding LED page RAM address. For the offset data added to or subtracted from and the time interval of addition or subtraction, refer to the LCIO0, LCIO1 and LFCR register data.

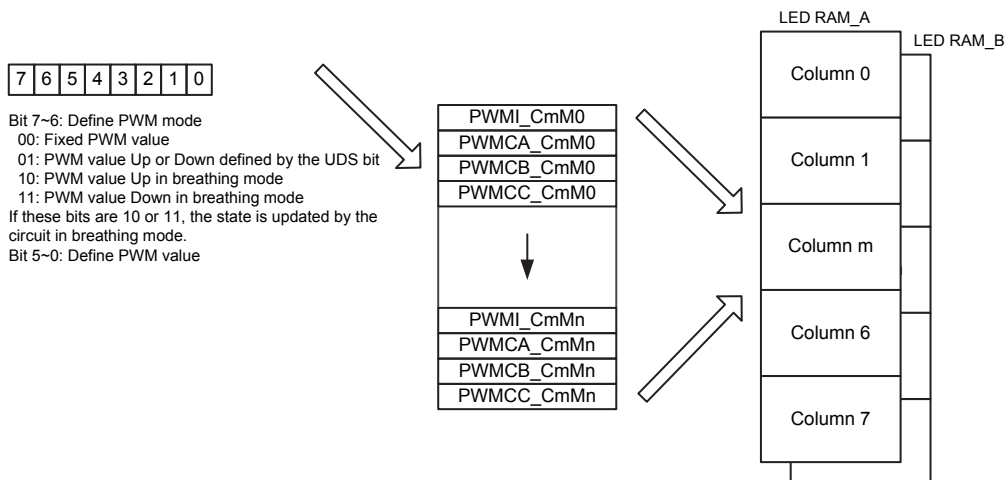
Whether the above LED auto mode operation is enabled or not is determined by the LDCOME bit. If the LDCOME bit is cleared to zero, users can also control the PWM output in manual mode through LED PWM modules, PWM register enable signals and duty data.

LED Memory

The devices provide an area of embedded data memory for the RGB LED. This data area is known as the LED Memory. More the Data Memory. For more detailed LED memory information, refer to the Data Memory section.

The LED Memory is subdivided into two pages, each size of which is 512 bytes. The LED RAM is subdivided into 8 columns, namely Column 0~Column 7, corresponding respectively to COM0~COM7.

The LED RAM data can be allocated as follows:



LED Memory Allocation

Note: n=0~4 for HT66FB572; n=0~7 for HT66FB574; n=0~F for HT66FB576, while m=0~7 for the series devices.

LED Memory data record addressTable								
HT66FB576			HT66FB574			HT66FB572		
LED RAM_A: Sector 8	Column0	80H~BFH	LED RAM_A: Sector 8 LED RAM_B: Sector 10	Column0	80H~9FH	LED RAM_A: Sector 8 LED RAM_B: Sector 10	Column0	80H~93H
LED RAM_B: Sector 12	Column1	C0H~FFH		Column1	A0H~BFH		Column1	A0H~B3H
LED RAM_A: Sector 9	Column2	80H~BFH	LED RAM_A: Sector 9 LED RAM_B: Sector 11	Column2	C0H~DFH	LED RAM_A: Sector 9 LED RAM_B: Sector 11	Column2	C0H~D3H
LED RAM_B: Sector 13	Column3	C0H~FFH		Column3	E0H~FFH		Column3	E0H~F3H
LED RAM_A: Sector 10	Column4	80H~BFH	LED RAM_A: Sector 9 LED RAM_B: Sector 11	Column4	80H~9FH	LED RAM_A: Sector 9 LED RAM_B: Sector 11	Column4	80H~93H
LED RAM_B: Sector 14	Column5	C0H~FFH		Column5	A0H~BFH		Column5	A0H~B3H
LED RAM_A: Sector 11	Column6	80H~BFH	LED RAM_A: Sector 9 LED RAM_B: Sector 11	Column6	C0H~DFH	LED RAM_A: Sector 9 LED RAM_B: Sector 11	Column6	C0H~D3H
LED RAM_B: Sector 15	Column7	C0H~FFH		Column7	E0H~FFH		Column7	E0H~F3H

Each column has $4 \times (n+1)$ bytes data, the data is recorded as follows:

```

PWM module 0 data
PWMI_COM0 ----- 1byte
PWMCA_COM0 ----- 1byte
PWMCB_COM0 ----- 1byte
PWMCC_COM0 ----- 1byte
PWM module 1 data
PWMI_C1M1
PWMCA_C1M1
PWMCB_C1M1
PWMCC_C1M1
:
:
PWM module n data
PWMI_CmMn
PWMCA_CmMn
PWMCB_CmMn
PWMCC_CmMn
    
```

The format of each byte data is as follows:

Bit	7	6	5	4	3	2	1	0
-----	---	---	---	---	---	---	---	---

- Bit 7~6 Define PWM mode
- 00: Output a fixed PWM value
 - 01: After the PWM vaule output, plus or minus the corresponding offset value, and store back to LED RAM, the addition or subtraction operation is determined by the UDS bit.
 - 10: In breathing mode Up state, plus the corresponding offset value, and store back to LED RAM
 - 11: In breathing mode Down state, minus the corresponding offset value, and store back to LED RAM

In breathing mode, if the LED RAM duty data is increased to the maximum value, the hardware will automatically change the PWM mode to “11”, the breathing mode Down state. Similarly, if the LED RAM duty data is decreased to the minimum value in breathing mode, the hardware will automatically change the PWM mode to “10”, the breathing mode Up state.

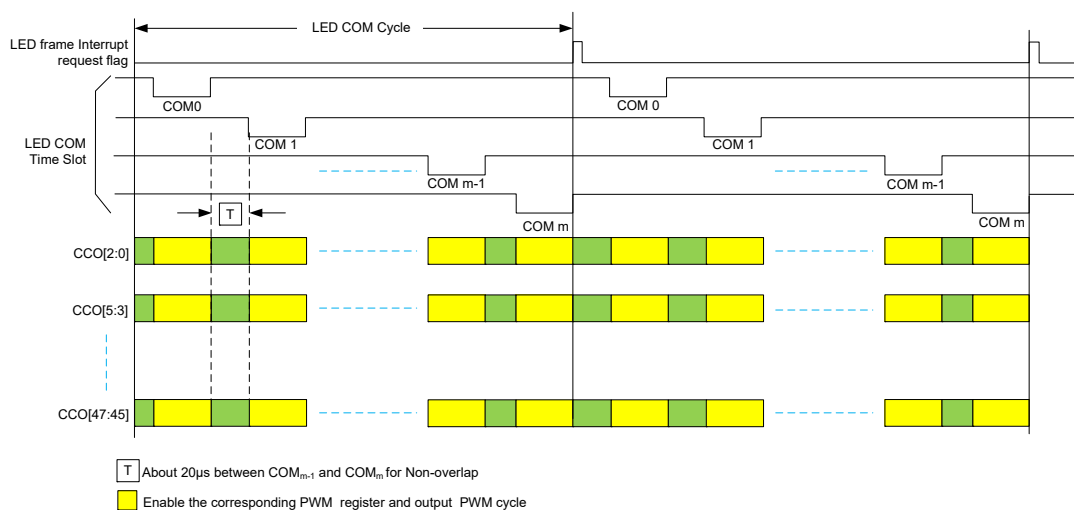
Bit 5~0 PWM duty data

LED Interrupt

The RGB LED has two interrupt output signals, LEDINT and UDINT. After one frame, i.e. $(m+1) \times 3(n+1)$ LED segment PWM “CCO” signals, is completed by the hardware, a LEDINT signal will be generated to inform the MCU. In PWM Up or Down mode, which is decided by the UDS bit, if the PWM duty in LED RAM is increased or decreased by the offset value, and reaches the HLMD or LLMD register value, the hardware will inform the MCU using the UDINT signal.

LED PWM Timing, Waveform and Flow Chart

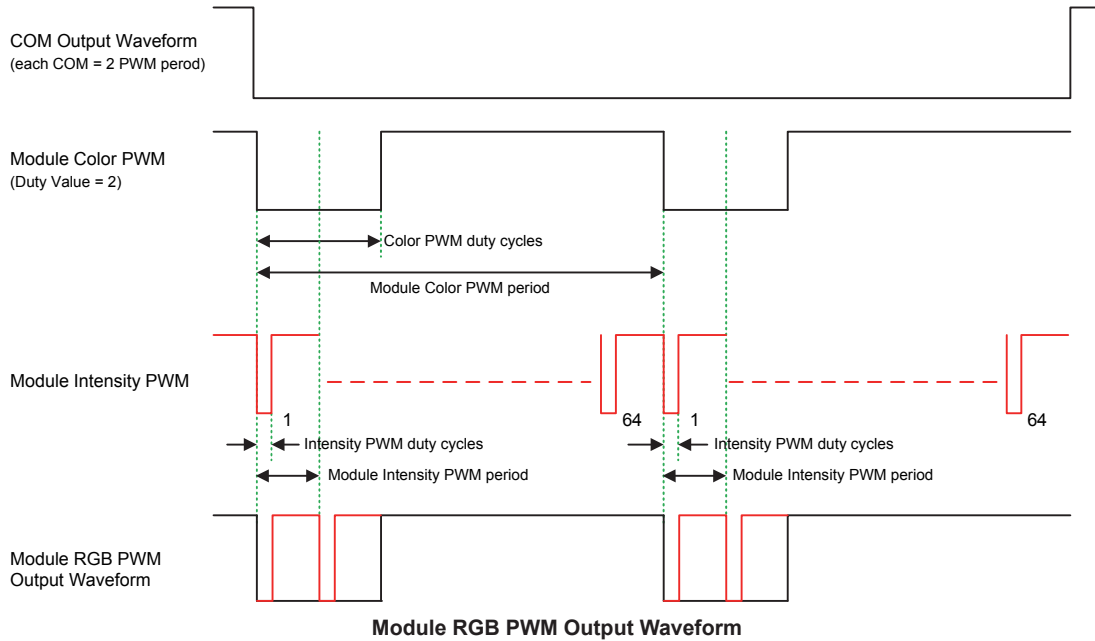
The timing of hardware LED PWM, that is $3 \times (n+1)$ LED Segment PWM and $(m+1)$ COM, is as follows:



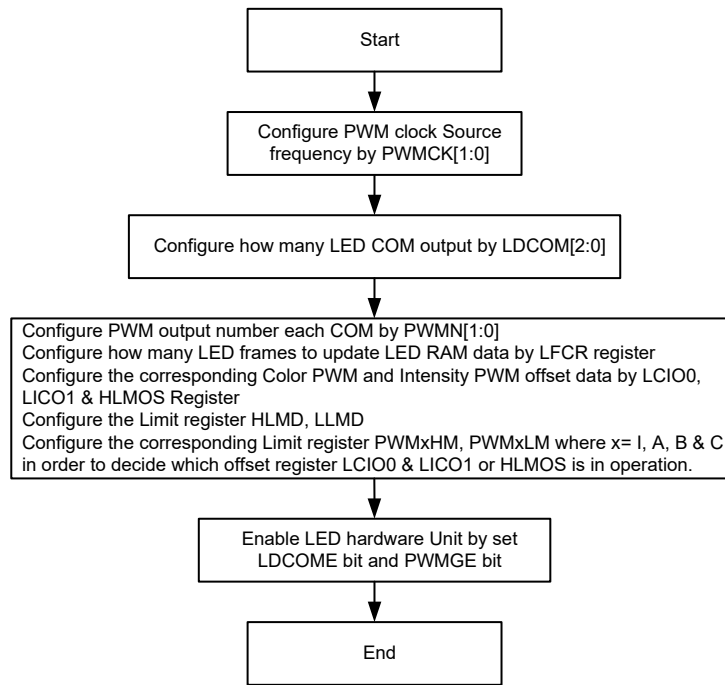
LED PWM Timing Diagram

Note: $n=0\sim4$ for HT66FB572; $n=0\sim7$ for HT66FB574; $n=0\sim F$ for HT66FB576, while $m=0\sim7$ for the series devices.

The PWM Module RGB_n PWM output waveform is as follows:



Module RGB PWM Output Waveform



PWM Output Control Flow Chart

Constant Current LED Driver

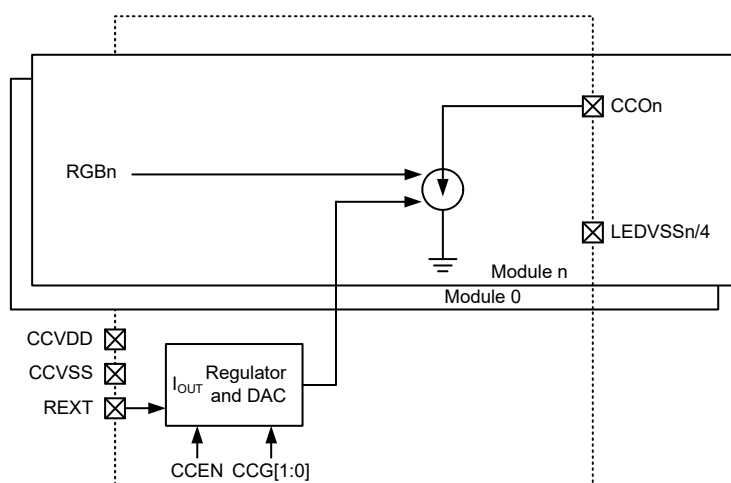
There is an accurate constant current driver which is specifically designed for LED display applications. The devices provide n-channel stable and constant current outputs for driving LEDs.

The output constant current is determined by the current gain selection bits, CCG[1:0], RGBn PWM input and an external resistor, R_{EXT}, which is connected between the REXT pin and ground. The current level is set according to the R_{EXT} value. The current variation between channels is less than ±3% while the current variation between different devices is less than ±6%. The characteristic curve in the saturation region is flat. The output current remains constant regardless of the LED forward voltage value.

The constant current can be calculated using the following formula:

$$I_{CCOn} = 20\text{mA} / (R_{EXT} / 1800\Omega) \times \text{Gain}$$

If the CCEN bit is set high and the RGBn signal is in a logic low level, the CCO_n is driven by a constant current. Otherwise the CCO_n is in a floating status.



Note: 1. n=0~14 for HT66FB572, n=0~23 for HT66FB574, n=0~47 for HT66FB576.

2. Module n stands for Module 0 ~ Module 4 for HT66FB572; Module n stands for Module 0 ~ Module 7 for HT66FB574; Module n stands for Module 0 ~ Module F for HT66FB576.

3. LEDVSSn/4 stands for every 4 CCO outputs sharing one LEDVSS.

Constant Current LED Driver Block Diagram

• CCS Register

Bit	7	6	5	4	3	2	1	0
Name	CCEN	D6	D5	D4	—	—	CCG1	CCG0
R/W	R/W	R/W	R/W	R/W	—	—	R/W	R/W
POR	0	0	1	0	—	—	0	1

Bit 7 **CCEN**: Constant Current function enable or disable control
0: Disable
1: Enable

If the CCEN bit is set high and the RGBn signal is in a logic low level, the CCO_n is driven by a constant current. Otherwise the CCO_n is in a floating status.

Bit 6~4 **D6~D4**: Reserved bits. These bits cannot be used and must be fixed as “010”.

Bit 3~2 Unimplemented, read as “0”

Bit 1~0 **CCG1~CCG0**: Constant current gain selection
 00: Gain=1.0, $I_{CCOn}=20\text{mA}$ @ $R_{EXT}=1800\Omega$
 01: Gain=1.4, $I_{CCOn}=30\text{mA}$ @ $R_{EXT}=1800\Omega$
 10: Gain=1.8, $I_{CCOn}=40\text{mA}$ @ $R_{EXT}=1800\Omega$
 11: Gain=2.4, $I_{CCOn}=50\text{mA}$ @ $R_{EXT}=1800\Omega$

Interrupts

Interrupts are an important part of any microcontroller system. When an external event or an internal function such as a Timer Module or an A/D converter requires microcontroller attention, their corresponding interrupt will enforce a temporary suspension of the main program allowing the microcontroller to direct attention to their respective needs. The devices contain several external interrupt and internal interrupts functions. The external interrupts are generated by the action of the external INT0~INT1 pins, while the internal interrupts are generated by various internal functions such as the TMs, Comparators, LVD and the A/D converter.

Interrupt Registers

Overall interrupt control, which basically means the setting of request flags when certain microcontroller conditions occur and the setting of interrupt enable bits by the application program, is controlled by a series of registers, located in the Special Purpose Data Memory, as shown in the accompanying table. The number of registers falls into three categories. The first is the INTC0~INTC3 registers which setup the primary interrupts, the second is the MFI0~MFI5 registers which setup the Multi-function interrupts. Finally there is an INTEG register to setup the external interrupt trigger edge type.

Each register contains a number of enable bits to enable or disable individual registers as well as interrupt flags to indicate the presence of an interrupt request. The naming convention of these follows a specific pattern. First is listed an abbreviated interrupt type, then the (optional) number of that interrupt followed by either an “E” for enable/disable bit or “F” for request flag.

Function	Enable Bit	Request Flag	Notes
Global	EMI	—	—
INTn Pin	INTnE	INTnF	n=0 or 1
USB	USBE	USBF	—
Comparator	CPnE	CPnF	n=0 or 1
LED frame	LEDE	LEDF	—
LED Up/Down	UDE	UDF	—
SIM	SIME	SIMF	—
SPIA	SPIAE	SPIAF	—
Time Base	TBnE	TBnF	n=0 or 1
Multi-function	MFnE	MFnF	n=0~5
A/D Converter	ADE	ADF	—
UART	URE	URF	—
EEPROM	DEE	DEF	—
LVD	LVE	LVF	—
STM	STMPE	STMPF	—
	STMAE	STMAF	—
PTM	PTMnPE	PTMnPF	n=0~2
	PTMnAE	PTMnAF	

Interrupt Register Bit Naming Conventions

Register Name	Bit							
	7	6	5	4	3	2	1	0
INTEG	—	—	—	—	INT1S1	INT1S0	INT0S1	INT0S0
INTC0	—	USBF	INT1F	INT0F	USBE	INT1E	INT0E	EMI
INTC1	MF1F	MF0F	CP1F	CP0F	MF1E	MF0E	CP1E	CP0E
INTC2	SIMF	MF4F	MF3F	MF2F	SIME	MF4E	MF3E	MF2E
INTC3	MF5F	TB1F	TB0F	SPIAF	MF5E	TB1E	TB0E	SPIAE
MF10	—	—	STMAF	STMPF	—	—	STMAE	STMPE
MF11	—	—	PTM0AF	PTM0PF	—	—	PTM0AE	PTM0PE
MF12	—	—	PTM1AF	PTM1PF	—	—	PTM1AE	PTM1PE
MF13	—	—	PTM2AF	PTM2PF	—	—	PTM2AE	PTM2PE
MF14	—	—	UDF	LEDF	—	—	UDE	LEDE
MF15	DEF	ADF	URF	LVF	DEE	ADE	URE	LVE

Interrupt Registers List

• **INTEG Register**

Bit	7	6	5	4	3	2	1	0
Name	—	—	—	—	INT1S1	INT1S0	INT0S1	INT0S0
R/W	—	—	—	—	R/W	R/W	R/W	R/W
POR	—	—	—	—	0	0	0	0

Bit 7~4 Unimplemented, read as “0”

Bit 3~2 **INT1S1~INT1S0**: Interrupt edge control for INT1 pin

- 00: Disable
- 01: Rising edge
- 10: Falling edge
- 11: Rising and falling edges

Bit 1~0 **INT0S1~INT0S0**: Interrupt edge control for INT0 pin

- 00: Disable
- 01: Rising edge
- 10: Falling edge
- 11: Rising and falling edges

• **INTC0 Register**

Bit	7	6	5	4	3	2	1	0
Name	—	USBF	INT1F	INT0F	USBE	INT1E	INT0E	EMI
R/W	—	R/W	R/W	R/W	R/W	R/W	R/W	R/W
POR	—	0	0	0	0	0	0	0

Bit 7 Unimplemented, read as “0”

Bit 6 **USBF**: USB interrupt request flag

- 0: No request
- 1: Interrupt request

Bit 5 **INT1F**: INT1 interrupt request flag

- 0: No request
- 1: Interrupt request

Bit 4 **INT0F**: INT0 interrupt request flag

- 0: No request
- 1: Interrupt request

Bit 3 **USBE**: USB interrupt control

- 0: Disable
- 1: Enable

- Bit 2 **INT1E**: INT1 interrupt control
 0: Disable
 1: Enable
- Bit 1 **INT0E**: INT0 interrupt control
 0: Disable
 1: Enable
- Bit 0 **EMI**: Global interrupt control
 0: Disable
 1: Enable

• INTC1 Register

Bit	7	6	5	4	3	2	1	0
Name	MF1F	MF0F	CP1F	CP0F	MF1E	MF0E	CP1E	CP0E
R/W	R/W	R/W	R/W	R/W	R/W	R/W	R/W	R/W
POR	0	0	0	0	0	0	0	0

- Bit 7 **MF1F**: Multi-function interrupt 1 request flag
 0: No request
 1: Interrupt request
- Bit 6 **MF0F**: Multi-function interrupt 0 request flag
 0: No request
 1: Interrupt request
- Bit 5 **CP1F**: Comparator 1 interrupt request flag
 0: No request
 1: Interrupt request
- Bit 4 **CP0F**: Comparator 0 interrupt request flag
 0: No request
 1: Interrupt request
- Bit 3 **MF1E**: Multi-function interrupt 1 interrupt control
 0: Disable
 1: Enable
- Bit 2 **MF0E**: Multi-function interrupt 0 interrupt control
 0: Disable
 1: Enable
- Bit 1 **CP1E**: Comparator 1 interrupt control
 0: Disable
 1: Enable
- Bit 0 **CP0E**: Comparator 0 interrupt control
 0: Disable
 1: Enable

• INTC2 Register

Bit	7	6	5	4	3	2	1	0
Name	SIMF	MF4F	MF3F	MF2F	SIME	MF4E	MF3E	MF2E
R/W	R/W	R/W	R/W	R/W	R/W	R/W	R/W	R/W
POR	0	0	0	0	0	0	0	0

- Bit 7 **SIMF**: SIM interrupt request flag
 0: No request
 1: Interrupt request
- Bit 6 **MF4F**: Multi-function interrupt 4 request flag
 0: No request
 1: Interrupt request

- Bit 5 **MF3F**: Multi-function interrupt 3 request flag
 0: No request
 1: Interrupt request
- Bit 4 **MF2F**: Multi-function interrupt 2 request flag
 0: No request
 1: Interrupt request
- Bit 3 **SIME**: SIM interrupt control
 0: Disable
 1: Enable
- Bit 2 **MF4E**: Multi-function interrupt 4 control
 0: Disable
 1: Enable
- Bit 1 **MF3E**: Multi-function interrupt 3 control
 0: Disable
 1: Enable
- Bit 0 **MF2E**: Multi-function interrupt 2 control
 0: Disable
 1: Enable

• **INTC3 Register**

Bit	7	6	5	4	3	2	1	0
Name	MF5F	TB1F	TB0F	SPIAF	MF5E	TB1E	TB0E	SPIAE
R/W	R/W	R/W	R/W	R/W	R/W	R/W	R/W	R/W
POR	0	0	0	0	0	0	0	0

- Bit 7 **MF5F**: Multi-function interrupt 5 request flag
 0: No request
 1: Interrupt request
- Bit 6 **TB1F**: Time Base1 interrupt request flag
 0: No request
 1: Interrupt request
- Bit 5 **TB0F**: Time Base 0 interrupt request flag
 0: No request
 1: Interrupt request
- Bit 4 **SPIAF**: SPIA interrupt request flag
 0: No request
 1: Interrupt request
- Bit 3 **MF5E**: Multi-function interrupt 5 control
 0: No request
 1: Interrupt request
- Bit 2 **TB1E**: Time Base1 interrupt control
 0: Disable
 1: Enable
- Bit 1 **TB0E**: Time Base 0 interrupt control
 0: Disable
 1: Enable
- Bit 0 **SPIAE**: SPIA interrupt control
 0: Disable
 1: Enable

• MFIO Register

Bit	7	6	5	4	3	2	1	0
Name	—	—	STMAF	STMPF	—	—	STMAE	STMPE
R/W	—	—	R/W	R/W	—	—	R/W	R/W
POR	—	—	0	0	—	—	0	0

- Bit 7~6 Unimplemented, read as “0”
- Bit 5 **STMAF**: STM Comparator A match interrupt request flag
 0: No request
 1: Interrupt request
- Bit 4 **STMPF**: STM Comparator P match interrupt request flag
 0: No request
 1: Interrupt request
- Bit 3~2 Unimplemented, read as “0”
- Bit 1 **STMAE**: STM Comparator A match interrupt control
 0: Disable
 1: Enable
- Bit 0 **STMPE**: STM Comparator P match interrupt control
 0: Disable
 1: Enable

• MF11 Register

Bit	7	6	5	4	3	2	1	0
Name	—	—	PTM0AF	PTM0PF	—	—	PTM0AE	PTM0PE
R/W	—	—	R/W	R/W	—	—	R/W	R/W
POR	—	—	0	0	—	—	0	0

- Bit 7~6 Unimplemented, read as “0”
- Bit 5 **PTM0AF**: PTM0 Comparator A match interrupt request flag
 0: No request
 1: Interrupt request
- Bit 4 **PTM0PF**: PTM0 Comparator P match interrupt request flag
 0: No request
 1: Interrupt request
- Bit 3~2 Unimplemented, read as “0”
- Bit 1 **PTM0AE**: PTM0 Comparator A match interrupt control
 0: Disable
 1: Enable
- Bit 0 **PTM0PE**: PTM0 Comparator P match interrupt control
 0: Disable
 1: Enable

• **MFI2 Register**

Bit	7	6	5	4	3	2	1	0
Name	—	—	PTM1AF	PTM1PF	—	—	PTM1AE	PTM1PE
R/W	—	—	R/W	R/W	—	—	R/W	R/W
POR	—	—	0	0	—	—	0	0

- Bit 7~6 Unimplemented, read as “0”
- Bit 5 **PTM1AF**: PTM1 Comparator A match interrupt request flag
0: No request
1: Interrupt request
- Bit 4 **PTM1PF**: PTM1 Comparator P match interrupt request flag
0: No request
1: Interrupt request
- Bit 3~2 Unimplemented, read as “0”
- Bit 1 **PTM1AE**: PTM1 Comparator A match interrupt control
0: Disable
1: Enable
- Bit 0 **PTM1PE**: PTM1 Comparator P match interrupt control
0: Disable
1: Enable

• **MFI3 Register**

Bit	7	6	5	4	3	2	1	0
Name	—	—	PTM2AF	PTM2PF	—	—	PTM2AE	PTM2PE
R/W	—	—	R/W	R/W	—	—	R/W	R/W
POR	—	—	0	0	—	—	0	0

- Bit 7~6 Unimplemented, read as “0”
- Bit 5 **PTM2AF**: PTM2 Comparator A match interrupt request flag
0: No request
1: Interrupt request
- Bit 4 **PTM2PF**: PTM2 Comparator P match interrupt request flag
0: No request
1: Interrupt request
- Bit 3~2 Unimplemented, read as “0”
- Bit 1 **PTM2AE**: PTM2 Comparator A match interrupt control
0: Disable
1: Enable
- Bit 0 **PTM2PE**: PTM2 Comparator P match interrupt control
0: Disable
1: Enable

• MFI4 Register

Bit	7	6	5	4	3	2	1	0
Name	—	—	UDF	LEDF	—	—	UDE	LEDE
R/W	—	—	R/W	R/W	—	—	R/W	R/W
POR	—	—	0	0	—	—	0	0

- Bit 7~6 Unimplemented, read as “0”
- Bit 5 **UDF**: LED Up/Down interrupt request flag
 0: No request
 1: Interrupt request
- Bit 4 **LEDF**: LED frame interrupt request flag
 0: No request
 1: Interrupt request
- Bit 3~2 Unimplemented, read as “0”
- Bit 1 **UDE**: LED Up/Down interrupt control
 0: Disable
 1: Enable
- Bit 0 **LEDE**: LED frame interrupt control
 0: Disable
 1: Enable

• MFI5 Register

Bit	7	6	5	4	3	2	1	0
Name	DEF	ADF	URF	LVF	DEE	ADE	URE	LVE
R/W	R/W	R/W	R/W	R/W	R/W	R/W	R/W	R/W
POR	0	0	0	0	0	0	0	0

- Bit 7 **DEF**: Data EEPROM interrupt request flag
 0: No request
 1: Interrupt request
- Bit 6 **ADF**: A/D Converter interrupt request flag
 0: No request
 1: Interrupt request
- Bit 5 **URF**: UART interrupt request flag
 0: No request
 1: Interrupt request
- Bit 4 **LVF**: LVD interrupt request flag
 0: No request
 1: Interrupt request
- Bit 3 **DEE**: Data EEPROM interrupt control
 0: Disable
 1: Enable
- Bit 2 **ADE**: A/D Converter interrupt control
 0: Disable
 1: Enable
- Bit 1 **URE**: UART interrupt control
 0: Disable
 1: Enable
- Bit 0 **LVE**: LVD interrupt control
 0: Disable
 1: Enable

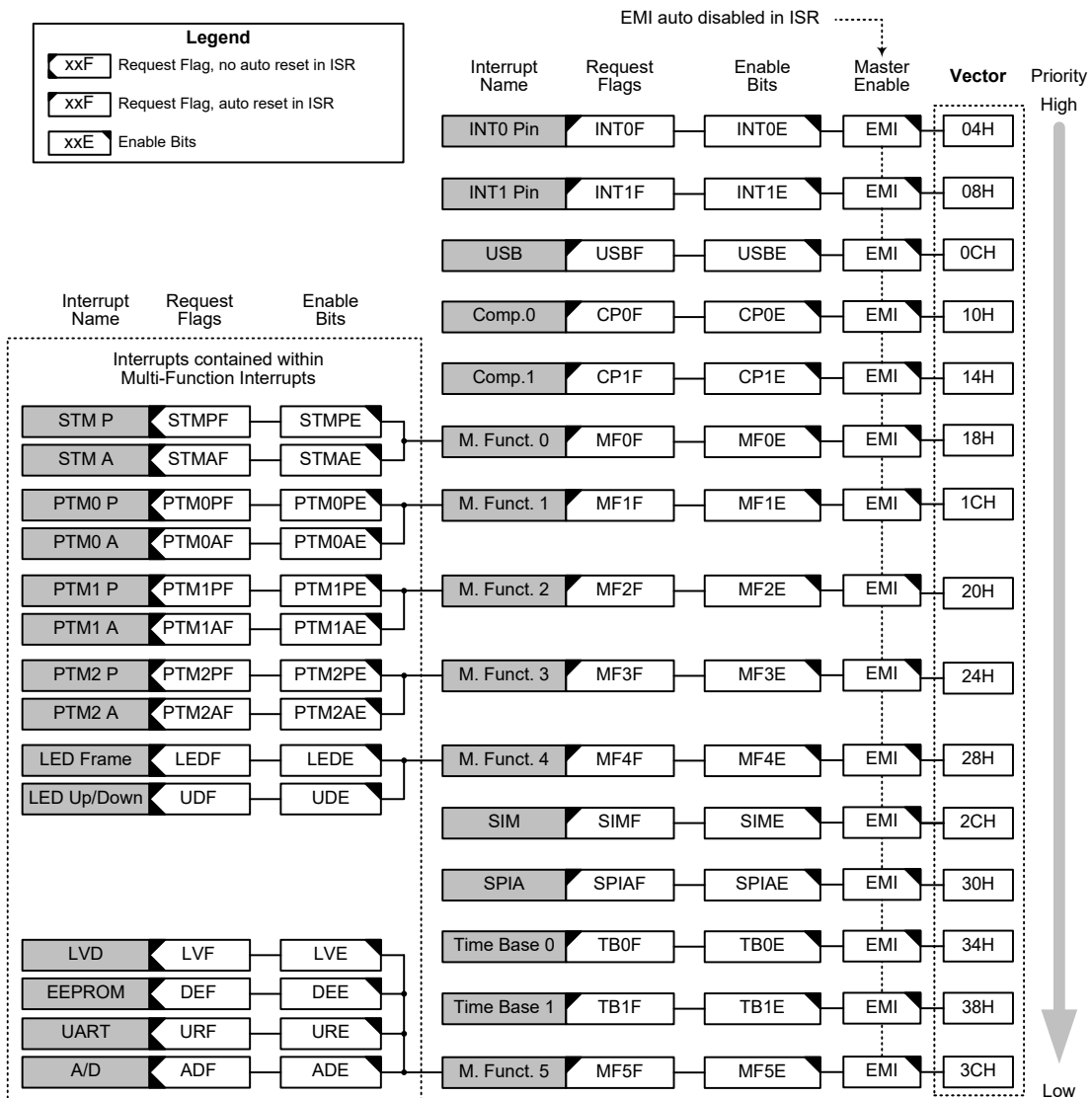
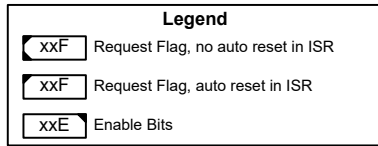
Interrupt Operation

When the conditions for an interrupt event occur, such as a TM Comparator P or Comparator A match or A/D conversion completion etc., the relevant interrupt request flag will be set. Whether the request flag actually generates a program jump to the relevant interrupt vector is determined by the condition of the interrupt enable bit. If the enable bit is set high then the program will jump to its relevant vector; if the enable bit is zero then although the interrupt request flag is set an actual interrupt will not be generated and the program will not jump to the relevant interrupt vector. The global interrupt enable bit, if cleared to zero, will disable all interrupts.

When an interrupt is generated, the Program Counter, which stores the address of the next instruction to be executed, will be transferred onto the stack. The Program Counter will then be loaded with a new address which will be the value of the corresponding interrupt vector. The microcontroller will then fetch its next instruction from this interrupt vector. The instruction at this vector will usually be a “JMP” which will jump to another section of program which is known as the interrupt service routine. Here is located the code to control the appropriate interrupt. The interrupt service routine must be terminated with a “RETI”, which retrieves the original Program Counter address from the stack and allows the microcontroller to continue with normal execution at the point where the interrupt occurred.

The various interrupt enable bits, together with their associated request flags, are shown in the accompanying diagrams with their order of priority. Some interrupt sources have their own individual vector while others share the same multi-function interrupt vector. Once an interrupt subroutine is serviced, all the other interrupts will be blocked, as the global interrupt enable bit, EMI bit will be cleared automatically. This will prevent any further interrupt nesting from occurring. However, if other interrupt requests occur during this interval, although the interrupt will not be immediately serviced, the request flag will still be recorded.

If an interrupt requires immediate servicing while the program is already in another interrupt service routine, the EMI bit should be set after entering the routine, to allow interrupt nesting. If the stack is full, the interrupt request will not be acknowledged, even if the related interrupt is enabled, until the Stack Pointer is decremented. If immediate service is desired, the stack must be prevented from becoming full. In case of simultaneous requests, the accompanying diagram shows the priority that is applied. All of the interrupt request flags when set will wake-up the devices if it is in SLEEP or IDLE Mode, however to prevent a wake-up from occurring the corresponding flag should be set before the devices are in SLEEP or IDLE Mode.



Interrupt Structure

External Interrupts

The external interrupts are controlled by signal transitions on the pins INT0 and INT1. An external interrupt request will take place when the external interrupt request flags, INT0F~INT1F, are set, which will occur when a transition, whose type is chosen by the edge select bits, appears on the external interrupt pins. To allow the program to branch to its respective interrupt vector address, the global interrupt enable bit, EMI, and respective external interrupt enable bit, INT0E~INT1E, must first be set. Additionally the correct interrupt edge type must be selected using the INTEG register to enable the external interrupt function and to choose the trigger edge type. As the external interrupt pins are pin-shared with I/O pins, they can only be configured as external interrupt pins if their external interrupt enable bit in the corresponding interrupt register has been set and the external interrupt pin is selected by the corresponding pin-shared function selection bits. The pin must also be setup as an input by setting the corresponding bit in the port control register. When the interrupt is enabled, the stack is not full and the correct transition type appears on the external interrupt pin, a subroutine call to the external interrupt vector, will take place. When the interrupt is serviced, the external interrupt request flags, INT0F~INT1F, will be automatically reset and the EMI bit will be automatically cleared to disable other interrupts. Note that any pull-high resistor selections on the external interrupt pins will remain valid even if the pin is used as an external interrupt input.

The INTEG register is used to select the type of active edge that will trigger the external interrupt. A choice of either rising or falling or both edge types can be chosen to trigger an external interrupt. Note that the INTEG register can also be used to disable the external interrupt function.

USB Interrupt

Several USB conditions can generate a USB interrupt. When one of these conditions occurs, an interrupt pulse will be generated to get the attention of the microcontroller. These conditions are the USB suspended, USB resumed, USB reset and USB endpoint FIFO access events. To allow the program to branch to its respective interrupt vector address, the global interrupt enable bit, EMI, and USB interrupt enable bit, USBE, must first be set. When the interrupt is enabled, the stack is not full and any of these conditions are created, a subroutine call to the USB interrupt vector, will take place. When the interrupt is serviced, the USB interrupt request flag, USBF, will be automatically reset and the EMI bit will be automatically cleared to disable other interrupts.

Comparator Interrupts

The comparator interrupts are controlled by the two internal comparators. A comparator interrupt request will take place when the comparator interrupt request flag, CPnF, is set, a situation that will occur when the comparator output bit changes state. To allow the program to branch to its respective interrupt vector address, the global interrupt enable bit, EMI, and comparator interrupt enable bit, CPnE, must first be set. When the interrupt is enabled, the stack is not full and the comparator inputs generate a comparator output bit transition, a subroutine call to the comparator interrupt vector, will take place. When the interrupt is serviced, the comparator interrupt request flag, CPnF, will be automatically reset and the EMI bit will be automatically cleared to disable other interrupts.

SIM Interrupt

The Serial Interface Module Interrupt, also known as the SIM interrupt, will take place when the SIM Interrupt request flag, SIMF, is set, which occurs when a byte of data has been received or transmitted by the SIM interface, or an I²C slave address match occurs, or an I²C bus time-out occurs. To allow the program to branch to its respective interrupt vector address, the global interrupt enable bit, EMI, and the Serial Interface Interrupt enable bit, SIME, must first be set. When the interrupt is enabled, the stack is not full and any of the above described situations occurs, a subroutine call to the respective Interrupt vector, will take place. When the interrupt is serviced, the Serial Interface Interrupt flag, SIMF, will be automatically cleared. The EMI bit will also be automatically cleared to disable other interrupts.

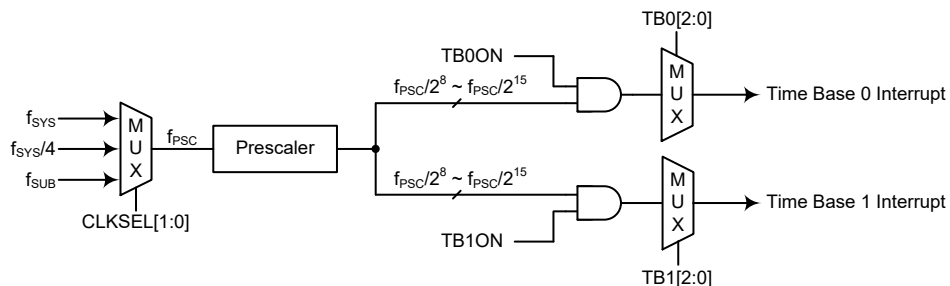
SPIA Interrupt

The Serial Peripheral Interface Interrupt, also known as the SPIA interrupt, will take place when the SPIA Interrupt request flag, SPIAF, is set, which occurs when a byte of data has been received or transmitted by the SPIA interface or an SPIA incomplete transfer occurs. To allow the program to branch to its respective interrupt vector address, the global interrupt enable bit, EMI, and the Serial Interface Interrupt enable bit, SPIAE, must first be set. When the interrupt is enabled, the stack is not full and any of the above described situations occurs, a subroutine call to the respective Interrupt vector, will take place. When the interrupt is serviced, the Serial Interface Interrupt flag, SPIAF, will be automatically cleared. The EMI bit will also be automatically cleared to disable other interrupts.

Time Base Interrupts

The function of the Time Base Interrupts is to provide regular time signal in the form of an internal interrupt. They are controlled by the overflow signals from their respective timer functions. When these happens their respective interrupt request flags, TB0F or TB1F will be set. To allow the program to branch to their respective interrupt vector addresses, the global interrupt enable bit, EMI and Time Base enable bits, TB0E or TB1E, must first be set. When the interrupt is enabled, the stack is not full and the Time Base overflows, a subroutine call to their respective vector locations will take place. When the interrupt is serviced, the respective interrupt request flag, TB0F or TB1F, will be automatically reset and the EMI bit will be cleared to disable other interrupts.

The purpose of the Time Base Interrupt is to provide an interrupt signal at fixed time periods. Its clock source, f_{PSC} , originates from the internal clock source f_{SYS} , $f_{SYS}/4$ or f_{SUB} and then passes through a divider, the division ratio of which is selected by programming the appropriate bits in the TB0C and TB1C registers to obtain longer interrupt periods whose value ranges. The clock source which in turn controls the Time Base interrupt period is selected using the CLKSEL1~CLKSEL0 bits in the PSCR register.



Time Base Interrupts

• **PSCR Register**

Bit	7	6	5	4	3	2	1	0
Name	—	—	—	—	—	—	CLKSEL1	CLKSEL0
R/W	—	—	—	—	—	—	R/W	R/W
POR	—	—	—	—	—	—	0	0

Bit 7~2 Unimplemented, read as “0”

Bit 1~0 **CLKSEL1~CLKSEL0**: Prescaler clock source selection

00: f_{SYS}

01: $f_{SYS}/4$

1x: f_{SUB}

• **TB0C Register**

Bit	7	6	5	4	3	2	1	0
Name	TB0ON	—	—	—	—	TB02	TB01	TB00
R/W	R/W	—	—	—	—	R/W	R/W	R/W
POR	0	—	—	—	—	0	0	0

Bit 7 **TB0ON**: Time Base 0 Control

0: Disable

1: Enable

Bit 6~3 Unimplemented, read as “0”

Bit 2~0 **TB02~TB00**: Select Time Base 0 Time-out Period

000: $2^8/f_{PSC}$

001: $2^9/f_{PSC}$

010: $2^{10}/f_{PSC}$

011: $2^{11}/f_{PSC}$

100: $2^{12}/f_{PSC}$

101: $2^{13}/f_{PSC}$

110: $2^{14}/f_{PSC}$

111: $2^{15}/f_{PSC}$

• **TB1C Register**

Bit	7	6	5	4	3	2	1	0
Name	TB1ON	—	—	—	—	TB12	TB11	TB10
R/W	R/W	—	—	—	—	R/W	R/W	R/W
POR	0	—	—	—	—	0	0	0

Bit 7 **TB1ON**: Time Base 1 Control

0: Disable

1: Enable

Bit 6~3 Unimplemented, read as “0”

Bit 2~0 **TB12~TB10**: Select Time Base 1 Time-out Period

000: $2^8/f_{PSC}$

001: $2^9/f_{PSC}$

010: $2^{10}/f_{PSC}$

011: $2^{11}/f_{PSC}$

100: $2^{12}/f_{PSC}$

101: $2^{13}/f_{PSC}$

110: $2^{14}/f_{PSC}$

111: $2^{15}/f_{PSC}$

Multi-function Interrupts

Within the devices there are up to six Multi-function interrupts. Unlike the other independent interrupts, these interrupts have no independent source, but rather are formed from other existing interrupt sources, namely the LED frame, LED Up/Down, TM Interrupts, A/D Converter Interrupt, UART Interrupt, EEPROM Interrupt and LVD Interrupt.

A Multi-function interrupt request will take place when any of the Multi-function interrupt request flags, MFnF are set. The Multi-function interrupt flags will be set when any of their included functions generate an interrupt request flag. To allow the program to branch to its respective interrupt vector address, when the Multi-function interrupt is enabled and the stack is not full, and either one of the interrupts contained within each of Multi-function interrupt occurs, a subroutine call to one of the Multi-function interrupt vectors will take place. When the interrupt is serviced, the related Multi-Function request flag will be automatically reset and the EMI bit will be automatically cleared to disable other interrupts.

However, it must be noted that, although the Multi-function Interrupt flags will be automatically reset when the interrupt is serviced, the request flags from the original source of the Multi-function interrupts will not be automatically reset and must be manually reset by the application program.

LED Frame Interrupt

The LED Frame Interrupt is contained within the Multi-function Interrupt. An LED frame Interrupt request will take place when the LED frame Interrupt request flag, LEDF, is set, which occurs when one frame LED PWM is completed. To allow the program to branch to its respective interrupt vector address, the global interrupt enable bit, EMI, LED frame Interrupt enable bit, LEDE, and associated Multi-function interrupt enable bit, must first be set. When the interrupt is enabled, the stack is not full and one frame LED PWM is completed, a subroutine call to the Multi-function Interrupt vector, will take place. When the LED frame Interrupt is serviced, the EMI bit will be automatically cleared to disable other interrupts, however only the Multi-function interrupt request flag will be also automatically cleared. As the LEDF flag will not be automatically cleared, it has to be cleared by the application program.

LED Up/Down Interrupt

The LED Up/Down Interrupt is contained within the Multi-function Interrupt. An LED Up/Down Interrupt request will take place when the LED Up/Down Interrupt request flag, UDF, is set, which occurs when the PWM duty reaches the HLMD or LLMD register value in PWM Up or Down mode respectively. To allow the program to branch to its respective interrupt vector address, the global interrupt enable bit, EMI, LED frame Interrupt enable bit, UDE, and associated Multi-function interrupt enable bit, must first be set. When the interrupt is enabled, the stack is not full and the PWM duty reaches the HLMD or LLMD register value in PWM Up or Down mode respectively, a subroutine call to the Multi-function Interrupt vector, will take place. When the LED Up/Down Interrupt is serviced, the EMI bit will be automatically cleared to disable other interrupts, however only the Multi-function interrupt request flag will be also automatically cleared. As the UDF flag will not be automatically cleared, it has to be cleared by the application program.

A/D Converter Interrupt

The A/D Converter Interrupt is contained within the Multi-function Interrupt. An A/D Converter Interrupt request will take place when the A/D Converter Interrupt request flag, ADF, is set, which occurs when the A/D conversion process finishes. To allow the program to branch to its respective interrupt vector address, the global interrupt enable bit, EMI, and A/D Interrupt enable bit, ADE, and associated Multi-function interrupt enable bit, must first be set. When the interrupt is enabled, the

stack is not full and the A/D conversion process has ended, a subroutine call to the Multi-function Interrupt vector, will take place. When the A/D Converter Interrupt is serviced, the EMI bit will be automatically cleared to disable other interrupts, however only the Multi-function interrupt request flag will be also automatically cleared. As the ADF flag will not be automatically cleared, it has to be cleared by the application program.

UART Interrupt

The UART interrupt is contained within the Multi-function Interrupt. Several individual UART conditions can generate a UART interrupt. When one of these conditions occurs, an interrupt pulse will be generated to get the attention of the microcontroller. These conditions are a transmitter data register empty, transmitter idle, receiver data available, receiver overrun, address detect and an RX pin wake-up. To allow the program to branch to the respective interrupt vector addresses, the global interrupt enable bit, EMI, multi-function enable bit, MFnE and UART interrupt enable bit, URE, must first be set. When the interrupt is enabled, the stack is not full and any of these conditions are created, a subroutine call to the respective Multi-function Interrupt vector, will take place. When the UART Interrupt is serviced, the EMI bit will be automatically cleared to disable other interrupts, however only the Multi-function interrupt request flag will be also automatically cleared. As the URF flag will not be automatically cleared, it has to be cleared by the application program. However, the USR register flags will be cleared automatically when certain actions are taken by the UART, the details of which are given in the UART section.

EEPROM Interrupt

The EEPROM interrupt is contained within the Multi-function Interrupt. An EEPROM Interrupt request will take place when the EEPROM Interrupt request flag, DEF, is set, which occurs when an EEPROM Write cycle ends. To allow the program to branch to its respective interrupt vector address, the global interrupt enable bit, EMI, and EEPROM Interrupt enable bit, DEE, and associated Multi-function interrupt enable bit, must first be set. When the interrupt is enabled, the stack is not full and an EEPROM Write cycle ends, a subroutine call to the respective EEPROM Interrupt vector will take place. When the EEPROM Interrupt is serviced, the EMI bit will be automatically cleared to disable other interrupts, however only the Multi-function interrupt request flag will be also automatically cleared. As the DEF flag will not be automatically cleared, it has to be cleared by the application program.

LVD Interrupt

The Low Voltage Detector Interrupt is contained within the Multi-function Interrupt. An LVD Interrupt request will take place when the LVD Interrupt request flag, LVF, is set, which occurs when the Low Voltage Detector function detects a low power supply voltage. To allow the program to branch to its respective interrupt vector address, the global interrupt enable bit, EMI, Low Voltage Interrupt enable bit, LVE, and associated Multi-function interrupt enable bit, must first be set. When the interrupt is enabled, the stack is not full and a low voltage condition occurs, a subroutine call to the Multi-function Interrupt vector, will take place. When the Low Voltage Interrupt is serviced, the EMI bit will be automatically cleared to disable other interrupts, however only the Multi-function interrupt request flag will be also automatically cleared. As the LVF flag will not be automatically cleared, it has to be cleared by the application program.

TM Interrupts

The Standard and Periodic Type TMs have two interrupts, one comes from the comparator A match situation and the other comes from the comparator P match situation. All of the TM interrupts are contained within the Multi-function Interrupts. For all of the TM types there are two interrupt request

flags and two enable control bits. A TM interrupt request will take place when any of the TM request flags are set, a situation which occurs when a TM comparator P or A match situation happens.

To allow the program to branch to its respective interrupt vector address, the global interrupt enable bit, EMI, respective TM Interrupt enable bit, and relevant Multi-function Interrupt enable bit, MFnE, must first be set. When the interrupt is enabled, the stack is not full and a TM comparator match situation occurs, a subroutine call to the relevant Multi-function Interrupt vector locations, will take place. When the TM interrupt is serviced, the EMI bit will be automatically cleared to disable other interrupts, however only the related MFnF flag will be automatically cleared. As the TM interrupt request flags will not be automatically cleared, they have to be cleared by the application program.

Interrupt Wake-up Function

Each of the interrupt functions has the capability of waking up the microcontroller when in the SLEEP or IDLE Mode. A wake-up is generated when an interrupt request flag changes from low to high and is independent of whether the interrupt is enabled or not. Therefore, even though the devices are in the SLEEP or IDLE Mode and its system oscillator stopped, situations such as external edge transitions on the external interrupt pins, a low power supply voltage or comparator output bit change may cause their respective interrupt flag to be set high and consequently generate an interrupt. Care must therefore be taken if spurious wake-up situations are to be avoided. If an interrupt wake-up function is to be disabled then the corresponding interrupt request flag should be set high before the devices enter the SLEEP or IDLE Mode. The interrupt enable bits have no effect on the interrupt wake-up function.

Programming Considerations

By disabling the relevant interrupt enable bits, a requested interrupt can be prevented from being serviced, however, once an interrupt request flag is set, it will remain in this condition in the interrupt register until the corresponding interrupt is serviced or until the request flag is cleared by the application program.

Where a certain interrupt is contained within a Multi-function interrupt, then when the interrupt service routine is executed, as only the Multi-function interrupt request flags, MFnF, will be automatically cleared, the individual request flag for the function needs to be cleared by the application program.

It is recommended that programs do not use the “CALL” instruction within the interrupt service subroutine. Interrupts often occur in an unpredictable manner or need to be serviced immediately. If only one stack is left and the interrupt is not well controlled, the original control sequence will be damaged once a CALL subroutine is executed in the interrupt subroutine.

Every interrupt has the capability of waking up the microcontroller when it is in the SLEEP or IDLE Mode, the wake up being generated when the interrupt request flag changes from low to high. If it is required to prevent a certain interrupt from waking up the microcontroller then its respective request flag should be first set high before enter SLEEP or IDLE Mode.

As only the Program Counter is pushed onto the stack, then when the interrupt is serviced, if the contents of the accumulator, status register or other registers are altered by the interrupt service program, their contents should be saved to the memory at the beginning of the interrupt service routine.

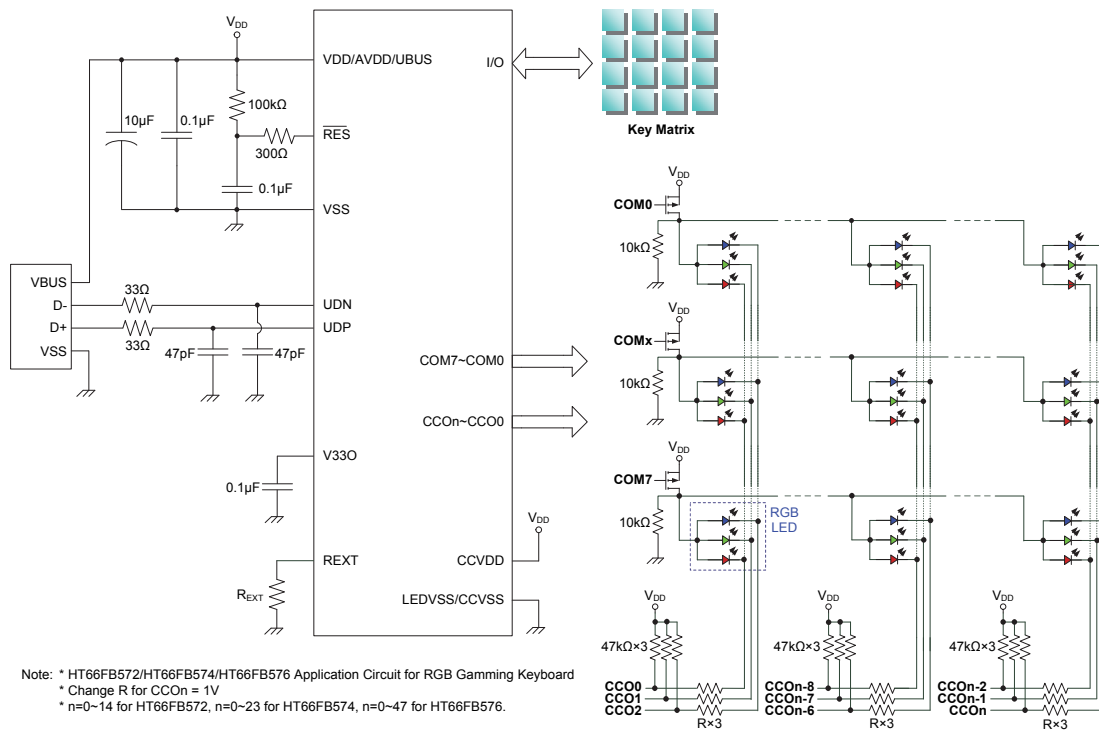
To return from an interrupt subroutine, either a RET or RETI instruction may be executed. The RETI instruction in addition to executing a return to the main program also automatically sets the EMI bit high to allow further interrupts. The RET instruction however only executes a return to the main program leaving the EMI bit in its present zero state and therefore disabling the execution of further interrupts.

Configuration Options

Configuration options refer to certain options within the MCU that are programmed into the devices during the programming process. During the development process, these options are selected using the HT-IDE software development tools. As these options are programmed into the devices using the hardware programming tools, once they are selected they cannot be changed later using the application program. All options must be defined for proper system function, the details of which are shown in the table.

No.	Options
Crystal Mode Frequency Option	
1	Clock Mode Frequency: 1. 12MHz 2. 6MHz

Application Circuits



Instruction Set

Introduction

Central to the successful operation of any microcontroller is its instruction set, which is a set of program instruction codes that directs the microcontroller to perform certain operations. In the case of Holtek microcontroller, a comprehensive and flexible set of over 60 instructions is provided to enable programmers to implement their application with the minimum of programming overheads.

For easier understanding of the various instruction codes, they have been subdivided into several functional groupings.

Instruction Timing

Most instructions are implemented within one instruction cycle. The exceptions to this are branch, call, or table read instructions where two instruction cycles are required. One instruction cycle is equal to 4 system clock cycles, therefore in the case of an 8MHz system oscillator, most instructions would be implemented within 0.5 μ s and branch or call instructions would be implemented within 1 μ s. Although instructions which require one more cycle to implement are generally limited to the JMP, CALL, RET, RETI and table read instructions, it is important to realize that any other instructions which involve manipulation of the Program Counter Low register or PCL will also take one more cycle to implement. As instructions which change the contents of the PCL will imply a direct jump to that new address, one more cycle will be required. Examples of such instructions would be “CLR PCL” or “MOV PCL, A”. For the case of skip instructions, it must be noted that if the result of the comparison involves a skip operation then this will also take one more cycle, if no skip is involved then only one cycle is required.

Moving and Transferring Data

The transfer of data within the microcontroller program is one of the most frequently used operations. Making use of several kinds of MOV instructions, data can be transferred from registers to the Accumulator and vice-versa as well as being able to move specific immediate data directly into the Accumulator. One of the most important data transfer applications is to receive data from the input ports and transfer data to the output ports.

Arithmetic Operations

The ability to perform certain arithmetic operations and data manipulation is a necessary feature of most microcontroller applications. Within the Holtek microcontroller instruction set are a range of add and subtract instruction mnemonics to enable the necessary arithmetic to be carried out. Care must be taken to ensure correct handling of carry and borrow data when results exceed 255 for addition and less than 0 for subtraction. The increment and decrement instructions such as INC, INCA, DEC and DECA provide a simple means of increasing or decreasing by a value of one of the values in the destination specified.

Logical and Rotate Operation

The standard logical operations such as AND, OR, XOR and CPL all have their own instruction within the Holtek microcontroller instruction set. As with the case of most instructions involving data manipulation, data must pass through the Accumulator which may involve additional programming steps. In all logical data operations, the zero flag may be set if the result of the operation is zero. Another form of logical data manipulation comes from the rotate instructions such as RR, RL, RRC and RLC which provide a simple means of rotating one bit right or left. Different rotate instructions exist depending on program requirements. Rotate instructions are useful for serial port programming applications where data can be rotated from an internal register into the Carry bit from where it can be examined and the necessary serial bit set high or low. Another application which rotate data operations are used is to implement multiplication and division calculations.

Branches and Control Transfer

Program branching takes the form of either jumps to specified locations using the JMP instruction or to a subroutine using the CALL instruction. They differ in the sense that in the case of a subroutine call, the program must return to the instruction immediately when the subroutine has been carried out. This is done by placing a return instruction “RET” in the subroutine which will cause the program to jump back to the address right after the CALL instruction. In the case of a JMP instruction, the program simply jumps to the desired location. There is no requirement to jump back to the original jumping off point as in the case of the CALL instruction. One special and extremely useful set of branch instructions are the conditional branches. Here a decision is first made regarding the condition of a certain data memory or individual bits. Depending upon the conditions, the program will continue with the next instruction or skip over it and jump to the following instruction. These instructions are the key to decision making and branching within the program perhaps determined by the condition of certain input switches or by the condition of internal data bits.

Bit Operations

The ability to provide single bit operations on Data Memory is an extremely flexible feature of all Holtek microcontrollers. This feature is especially useful for output port bit programming where individual bits or port pins can be directly set high or low using either the “SET [m].i” or “CLR [m].i” instructions respectively. The feature removes the need for programmers to first read the 8-bit output port, manipulate the input data to ensure that other bits are not changed and then output the port with the correct new data. This read-modify-write process is taken care of automatically when these bit operation instructions are used.

Table Read Operations

Data storage is normally implemented by using registers. However, when working with large amounts of fixed data, the volume involved often makes it inconvenient to store the fixed data in the Data Memory. To overcome this problem, Holtek microcontrollers allow an area of Program Memory to be setup as a table where data can be directly stored. A set of easy to use instructions provides the means by which this fixed data can be referenced and retrieved from the Program Memory.

Other Operations

In addition to the above functional instructions, a range of other instructions also exist such as the “HALT” instruction for Power-down operations and instructions to control the operation of the Watchdog Timer for reliable program operations under extreme electric or electromagnetic environments. For their relevant operations, refer to the functional related sections.

Instruction Set Summary

The instructions related to the data memory access in the following table can be used when the desired data memory is located in Data Memory sector 0.

Table Conventions

x: Bits immediate data
 m: Data Memory address
 A: Accumulator
 i: 0~7 number of bits
 addr: Program memory address

Mnemonic	Description	Cycles	Flag Affected
Arithmetic			
ADD A,[m]	Add Data Memory to ACC	1	Z, C, AC, OV, SC
ADDM A,[m]	Add ACC to Data Memory	1 ^{Note}	Z, C, AC, OV, SC
ADD A,x	Add immediate data to ACC	1	Z, C, AC, OV, SC
ADC A,[m]	Add Data Memory to ACC with Carry	1	Z, C, AC, OV, SC
ADCM A,[m]	Add ACC to Data memory with Carry	1 ^{Note}	Z, C, AC, OV, SC
SUB A,x	Subtract immediate data from the ACC	1	Z, C, AC, OV, SC, CZ
SUB A,[m]	Subtract Data Memory from ACC	1	Z, C, AC, OV, SC, CZ
SUBM A,[m]	Subtract Data Memory from ACC with result in Data Memory	1 ^{Note}	Z, C, AC, OV, SC, CZ
SBC A,x	Subtract immediate data from ACC with Carry	1	Z, C, AC, OV, SC, CZ
SBC A,[m]	Subtract Data Memory from ACC with Carry	1	Z, C, AC, OV, SC, CZ
SBCM A,[m]	Subtract Data Memory from ACC with Carry, result in Data Memory	1 ^{Note}	Z, C, AC, OV, SC, CZ
DAA [m]	Decimal adjust ACC for Addition with result in Data Memory	1 ^{Note}	C
Logic Operation			
AND A,[m]	Logical AND Data Memory to ACC	1	Z
OR A,[m]	Logical OR Data Memory to ACC	1	Z
XOR A,[m]	Logical XOR Data Memory to ACC	1	Z
ANDM A,[m]	Logical AND ACC to Data Memory	1 ^{Note}	Z
ORM A,[m]	Logical OR ACC to Data Memory	1 ^{Note}	Z
XORM A,[m]	Logical XOR ACC to Data Memory	1 ^{Note}	Z
AND A,x	Logical AND immediate Data to ACC	1	Z
OR A,x	Logical OR immediate Data to ACC	1	Z
XOR A,x	Logical XOR immediate Data to ACC	1	Z
CPL [m]	Complement Data Memory	1 ^{Note}	Z
CPLA [m]	Complement Data Memory with result in ACC	1	Z
Increment & Decrement			
INCA [m]	Increment Data Memory with result in ACC	1	Z
INC [m]	Increment Data Memory	1 ^{Note}	Z
DECA [m]	Decrement Data Memory with result in ACC	1	Z
DEC [m]	Decrement Data Memory	1 ^{Note}	Z
Rotate			
RRA [m]	Rotate Data Memory right with result in ACC	1	None
RR [m]	Rotate Data Memory right	1 ^{Note}	None
RRCA [m]	Rotate Data Memory right through Carry with result in ACC	1	C
RRC [m]	Rotate Data Memory right through Carry	1 ^{Note}	C
RLA [m]	Rotate Data Memory left with result in ACC	1	None
RL [m]	Rotate Data Memory left	1 ^{Note}	None
RLCA [m]	Rotate Data Memory left through Carry with result in ACC	1	C
RLC [m]	Rotate Data Memory left through Carry	1 ^{Note}	C

Mnemonic	Description	Cycles	Flag Affected
Data Move			
MOV A,[m]	Move Data Memory to ACC	1	None
MOV [m],A	Move ACC to Data Memory	1 ^{Note}	None
MOV A,x	Move immediate data to ACC	1	None
Bit Operation			
CLR [m].i	Clear bit of Data Memory	1 ^{Note}	None
SET [m].i	Set bit of Data Memory	1 ^{Note}	None
Branch Operation			
JMP addr	Jump unconditionally	2	None
SZ [m]	Skip if Data Memory is zero	1 ^{Note}	None
SZA [m]	Skip if Data Memory is zero with data movement to ACC	1 ^{Note}	None
SZ [m].i	Skip if bit i of Data Memory is zero	1 ^{Note}	None
SNZ [m]	Skip if Data Memory is not zero	1 ^{Note}	None
SNZ [m].i	Skip if bit i of Data Memory is not zero	1 ^{Note}	None
SIZ [m]	Skip if increment Data Memory is zero	1 ^{Note}	None
SDZ [m]	Skip if decrement Data Memory is zero	1 ^{Note}	None
SIZA [m]	Skip if increment Data Memory is zero with result in ACC	1 ^{Note}	None
SDZA [m]	Skip if decrement Data Memory is zero with result in ACC	1 ^{Note}	None
CALL addr	Subroutine call	2	None
RET	Return from subroutine	2	None
RET A,x	Return from subroutine and load immediate data to ACC	2	None
RETI	Return from interrupt	2	None
Table Read Operation			
TABRD [m]	Read table (specific page) to TBLH and Data Memory	2 ^{Note}	None
Miscellaneous			
NOP	No operation	1	None
CLR [m]	Clear Data Memory	1 ^{Note}	None
SET [m]	Set Data Memory	1 ^{Note}	None
CLR WDT	Clear Watchdog Timer	1	TO, PDF
SWAP [m]	Swap nibbles of Data Memory	1 ^{Note}	None
SWAPA [m]	Swap nibbles of Data Memory with result in ACC	1	None
HALT	Enter power down mode	1	TO, PDF

Note: 1. For skip instructions, if the result of the comparison involves a skip then two cycles are required, if no skip takes place only one cycle is required.

2. Any instruction which changes the contents of the PCL will also require 2 cycles for execution.

Extended Instruction Set

The extended instructions are used to support the full range address access for the data memory. When the accessed data memory is located in any data memory sector except sector 0, the extended instruction can be used to directly access the data memory instead of using the indirect addressing access. This can not only reduce the use of Flash memory space but also improve the CPU execution efficiency.

Mnemonic	Description	Cycles	Flag Affected
Arithmetic			
LADD A,[m]	Add Data Memory to ACC	2	Z, C, AC, OV, SC
LADDM A,[m]	Add ACC to Data Memory	2 ^{Note}	Z, C, AC, OV, SC
LADC A,[m]	Add Data Memory to ACC with Carry	2	Z, C, AC, OV, SC
LADCM A,[m]	Add ACC to Data memory with Carry	2 ^{Note}	Z, C, AC, OV, SC
LSUB A,[m]	Subtract Data Memory from ACC	2	Z, C, AC, OV, SC, CZ
LSUBM A,[m]	Subtract Data Memory from ACC with result in Data Memory	2 ^{Note}	Z, C, AC, OV, SC, CZ
LSBC A,[m]	Subtract Data Memory from ACC with Carry	2	Z, C, AC, OV, SC, CZ
LSBCM A,[m]	Subtract Data Memory from ACC with Carry, result in Data Memory	2 ^{Note}	Z, C, AC, OV, SC, CZ
LDAA [m]	Decimal adjust ACC for Addition with result in Data Memory	2 ^{Note}	C
Logic Operation			
LAND A,[m]	Logical AND Data Memory to ACC	2	Z
LOR A,[m]	Logical OR Data Memory to ACC	2	Z
LXOR A,[m]	Logical XOR Data Memory to ACC	2	Z
LANDM A,[m]	Logical AND ACC to Data Memory	2 ^{Note}	Z
LORM A,[m]	Logical OR ACC to Data Memory	2 ^{Note}	Z
LXORM A,[m]	Logical XOR ACC to Data Memory	2 ^{Note}	Z
LCPL [m]	Complement Data Memory	2 ^{Note}	Z
LCPLA [m]	Complement Data Memory with result in ACC	2	Z
Increment & Decrement			
LINCA [m]	Increment Data Memory with result in ACC	2	Z
LINC [m]	Increment Data Memory	2 ^{Note}	Z
LDECA [m]	Decrement Data Memory with result in ACC	2	Z
LDEC [m]	Decrement Data Memory	2 ^{Note}	Z
Rotate			
LRRRA [m]	Rotate Data Memory right with result in ACC	2	None
LRR [m]	Rotate Data Memory right	2 ^{Note}	None
LRRCA [m]	Rotate Data Memory right through Carry with result in ACC	2	C
LRRC [m]	Rotate Data Memory right through Carry	2 ^{Note}	C
LRLA [m]	Rotate Data Memory left with result in ACC	2	None
LRL [m]	Rotate Data Memory left	2 ^{Note}	None
LRLCA [m]	Rotate Data Memory left through Carry with result in ACC	2	C
LRLC [m]	Rotate Data Memory left through Carry	2 ^{Note}	C
Data Move			
LMOV A,[m]	Move Data Memory to ACC	2	None
LMOV [m],A	Move ACC to Data Memory	2 ^{Note}	None
Bit Operation			
LCLR [m].i	Clear bit of Data Memory	2 ^{Note}	None
LSET [m].i	Set bit of Data Memory	2 ^{Note}	None

Mnemonic	Description	Cycles	Flag Affected
Branch			
LSZ [m]	Skip if Data Memory is zero	2 ^{Note}	None
LSZA [m]	Skip if Data Memory is zero with data movement to ACC	2 ^{Note}	None
LSNZ [m]	Skip if Data Memory is not zero	2 ^{Note}	None
LSZ [m].i	Skip if bit i of Data Memory is zero	2 ^{Note}	None
LSNZ [m].i	Skip if bit i of Data Memory is not zero	2 ^{Note}	None
LSIZ [m]	Skip if increment Data Memory is zero	2 ^{Note}	None
LSDZ [m]	Skip if decrement Data Memory is zero	2 ^{Note}	None
LSIZA [m]	Skip if increment Data Memory is zero with result in ACC	2 ^{Note}	None
LSDZA [m]	Skip if decrement Data Memory is zero with result in ACC	2 ^{Note}	None
Table Read			
LTABRD [m]	Read table to TBLH and Data Memory	3 ^{Note}	None
Miscellaneous			
LCLR [m]	Clear Data Memory	2 ^{Note}	None
LSET [m]	Set Data Memory	2 ^{Note}	None
LSWAP [m]	Swap nibbles of Data Memory	2 ^{Note}	None
LSWAPA [m]	Swap nibbles of Data Memory with result in ACC	2	None

- Note: 1. For these extended skip instructions, if the result of the comparison involves a skip then three cycles are required, if no skip takes place two cycles is required.
2. Any extended instruction which changes the contents of the PCL register will also require three cycles for execution.

Instruction Definition

ADC A,[m]	Add Data Memory to ACC with Carry
Description	The contents of the specified Data Memory, Accumulator and the carry flag are added. The result is stored in the Accumulator.
Operation	$ACC \leftarrow ACC + [m] + C$
Affected flag(s)	OV, Z, AC, C, SC
ADCM A,[m]	Add ACC to Data Memory with Carry
Description	The contents of the specified Data Memory, Accumulator and the carry flag are added. The result is stored in the specified Data Memory.
Operation	$[m] \leftarrow ACC + [m] + C$
Affected flag(s)	OV, Z, AC, C, SC
ADD A,[m]	Add Data Memory to ACC
Description	The contents of the specified Data Memory and the Accumulator are added. The result is stored in the Accumulator.
Operation	$ACC \leftarrow ACC + [m]$
Affected flag(s)	OV, Z, AC, C, SC
ADD A,x	Add immediate data to ACC
Description	The contents of the Accumulator and the specified immediate data are added. The result is stored in the Accumulator.
Operation	$ACC \leftarrow ACC + x$
Affected flag(s)	OV, Z, AC, C, SC
ADDM A,[m]	Add ACC to Data Memory
Description	The contents of the specified Data Memory and the Accumulator are added. The result is stored in the specified Data Memory.
Operation	$[m] \leftarrow ACC + [m]$
Affected flag(s)	OV, Z, AC, C, SC
AND A,[m]	Logical AND Data Memory to ACC
Description	Data in the Accumulator and the specified Data Memory perform a bitwise logical AND operation. The result is stored in the Accumulator.
Operation	$ACC \leftarrow ACC \text{ "AND" } [m]$
Affected flag(s)	Z
AND A,x	Logical AND immediate data to ACC
Description	Data in the Accumulator and the specified immediate data perform a bit wise logical AND operation. The result is stored in the Accumulator.
Operation	$ACC \leftarrow ACC \text{ "AND" } x$
Affected flag(s)	Z
ANDM A,[m]	Logical AND ACC to Data Memory
Description	Data in the specified Data Memory and the Accumulator perform a bitwise logical AND operation. The result is stored in the Data Memory.
Operation	$[m] \leftarrow ACC \text{ "AND" } [m]$
Affected flag(s)	Z

CALL addr	Subroutine call
Description	Unconditionally calls a subroutine at the specified address. The Program Counter then increments by 1 to obtain the address of the next instruction which is then pushed onto the stack. The specified address is then loaded and the program continues execution from this new address. As this instruction requires an additional operation, it is a two cycle instruction.
Operation	Stack ← Program Counter + 1 Program Counter ← addr
Affected flag(s)	None
CLR [m]	Clear Data Memory
Description	Each bit of the specified Data Memory is cleared to 0.
Operation	[m] ← 00H
Affected flag(s)	None
CLR [m].i	Clear bit of Data Memory
Description	Bit i of the specified Data Memory is cleared to 0.
Operation	[m].i ← 0
Affected flag(s)	None
CLR WDT	Clear Watchdog Timer
Description	The TO, PDF flags and the WDT are all cleared.
Operation	WDT cleared TO ← 0 PDF ← 0
Affected flag(s)	TO, PDF
CPL [m]	Complement Data Memory
Description	Each bit of the specified Data Memory is logically complemented (1's complement). Bits which previously contained a 1 are changed to 0 and vice versa.
Operation	[m] ← $\overline{[m]}$
Affected flag(s)	Z
CPLA [m]	Complement Data Memory with result in ACC
Description	Each bit of the specified Data Memory is logically complemented (1's complement). Bits which previously contained a 1 are changed to 0 and vice versa. The complemented result is stored in the Accumulator and the contents of the Data Memory remain unchanged.
Operation	ACC ← $\overline{[m]}$
Affected flag(s)	Z
DAA [m]	Decimal-Adjust ACC for addition with result in Data Memory
Description	Convert the contents of the Accumulator value to a BCD (Binary Coded Decimal) value resulting from the previous addition of two BCD variables. If the low nibble is greater than 9 or if AC flag is set, then a value of 6 will be added to the low nibble. Otherwise the low nibble remains unchanged. If the high nibble is greater than 9 or if the C flag is set, then a value of 6 will be added to the high nibble. Essentially, the decimal conversion is performed by adding 00H, 06H, 60H or 66H depending on the Accumulator and flag conditions. Only the C flag may be affected by this instruction which indicates that if the original BCD sum is greater than 100, it allows multiple precision decimal addition.
Operation	[m] ← ACC + 00H or [m] ← ACC + 06H or [m] ← ACC + 60H or [m] ← ACC + 66H
Affected flag(s)	C

DEC [m]	Decrement Data Memory
Description	Data in the specified Data Memory is decremented by 1.
Operation	$[m] \leftarrow [m] - 1$
Affected flag(s)	Z
DECA [m]	Decrement Data Memory with result in ACC
Description	Data in the specified Data Memory is decremented by 1. The result is stored in the Accumulator. The contents of the Data Memory remain unchanged.
Operation	$ACC \leftarrow [m] - 1$
Affected flag(s)	Z
HALT	Enter power down mode
Description	This instruction stops the program execution and turns off the system clock. The contents of the Data Memory and registers are retained. The WDT and prescaler are cleared. The power down flag PDF is set and the WDT time-out flag TO is cleared.
Operation	$TO \leftarrow 0$ $PDF \leftarrow 1$
Affected flag(s)	TO, PDF
INC [m]	Increment Data Memory
Description	Data in the specified Data Memory is incremented by 1.
Operation	$[m] \leftarrow [m] + 1$
Affected flag(s)	Z
INCA [m]	Increment Data Memory with result in ACC
Description	Data in the specified Data Memory is incremented by 1. The result is stored in the Accumulator. The contents of the Data Memory remain unchanged.
Operation	$ACC \leftarrow [m] + 1$
Affected flag(s)	Z
JMP addr	Jump unconditionally
Description	The contents of the Program Counter are replaced with the specified address. Program execution then continues from this new address. As this requires the insertion of a dummy instruction while the new address is loaded, it is a two cycle instruction.
Operation	Program Counter \leftarrow addr
Affected flag(s)	None
MOV A,[m]	Move Data Memory to ACC
Description	The contents of the specified Data Memory are copied to the Accumulator.
Operation	$ACC \leftarrow [m]$
Affected flag(s)	None
MOV A,x	Move immediate data to ACC
Description	The immediate data specified is loaded into the Accumulator.
Operation	$ACC \leftarrow x$
Affected flag(s)	None
MOV [m],A	Move ACC to Data Memory
Description	The contents of the Accumulator are copied to the specified Data Memory.
Operation	$[m] \leftarrow ACC$
Affected flag(s)	None

NOP	No operation
Description	No operation is performed. Execution continues with the next instruction.
Operation	No operation
Affected flag(s)	None
OR A,[m]	Logical OR Data Memory to ACC
Description	Data in the Accumulator and the specified Data Memory perform a bitwise logical OR operation. The result is stored in the Accumulator.
Operation	ACC ← ACC "OR" [m]
Affected flag(s)	Z
OR A,x	Logical OR immediate data to ACC
Description	Data in the Accumulator and the specified immediate data perform a bitwise logical OR operation. The result is stored in the Accumulator.
Operation	ACC ← ACC "OR" x
Affected flag(s)	Z
ORM A,[m]	Logical OR ACC to Data Memory
Description	Data in the specified Data Memory and the Accumulator perform a bitwise logical OR operation. The result is stored in the Data Memory.
Operation	[m] ← ACC "OR" [m]
Affected flag(s)	Z
RET	Return from subroutine
Description	The Program Counter is restored from the stack. Program execution continues at the restored address.
Operation	Program Counter ← Stack
Affected flag(s)	None
RET A,x	Return from subroutine and load immediate data to ACC
Description	The Program Counter is restored from the stack and the Accumulator loaded with the specified immediate data. Program execution continues at the restored address.
Operation	Program Counter ← Stack ACC ← x
Affected flag(s)	None
RETI	Return from interrupt
Description	The Program Counter is restored from the stack and the interrupts are re-enabled by setting the EMI bit. EMI is the master interrupt global enable bit. If an interrupt was pending when the RETI instruction is executed, the pending Interrupt routine will be processed before returning to the main program.
Operation	Program Counter ← Stack EMI ← 1
Affected flag(s)	None
RL [m]	Rotate Data Memory left
Description	The contents of the specified Data Memory are rotated left by 1 bit with bit 7 rotated into bit 0.
Operation	[m].(i+1) ← [m].i; (i=0~6) [m].0 ← [m].7
Affected flag(s)	None

RLA [m]	Rotate Data Memory left with result in ACC
Description	The contents of the specified Data Memory are rotated left by 1 bit with bit 7 rotated into bit 0. The rotated result is stored in the Accumulator and the contents of the Data Memory remain unchanged.
Operation	$ACC.(i+1) \leftarrow [m].i; (i=0\sim6)$ $ACC.0 \leftarrow [m].7$
Affected flag(s)	None
RLC [m]	Rotate Data Memory left through Carry
Description	The contents of the specified Data Memory and the carry flag are rotated left by 1 bit. Bit 7 replaces the Carry bit and the original carry flag is rotated into bit 0.
Operation	$[m].(i+1) \leftarrow [m].i; (i=0\sim6)$ $[m].0 \leftarrow C$ $C \leftarrow [m].7$
Affected flag(s)	C
RLCA [m]	Rotate Data Memory left through Carry with result in ACC
Description	Data in the specified Data Memory and the carry flag are rotated left by 1 bit. Bit 7 replaces the Carry bit and the original carry flag is rotated into the bit 0. The rotated result is stored in the Accumulator and the contents of the Data Memory remain unchanged.
Operation	$ACC.(i+1) \leftarrow [m].i; (i=0\sim6)$ $ACC.0 \leftarrow C$ $C \leftarrow [m].7$
Affected flag(s)	C
RR [m]	Rotate Data Memory right
Description	The contents of the specified Data Memory are rotated right by 1 bit with bit 0 rotated into bit 7.
Operation	$[m].i \leftarrow [m].(i+1); (i=0\sim6)$ $[m].7 \leftarrow [m].0$
Affected flag(s)	None
RRA [m]	Rotate Data Memory right with result in ACC
Description	Data in the specified Data Memory is rotated right by 1 bit with bit 0 rotated into bit 7. The rotated result is stored in the Accumulator and the contents of the Data Memory remain unchanged.
Operation	$ACC.i \leftarrow [m].(i+1); (i=0\sim6)$ $ACC.7 \leftarrow [m].0$
Affected flag(s)	None
RRC [m]	Rotate Data Memory right through Carry
Description	The contents of the specified Data Memory and the carry flag are rotated right by 1 bit. Bit 0 replaces the Carry bit and the original carry flag is rotated into bit 7.
Operation	$[m].i \leftarrow [m].(i+1); (i=0\sim6)$ $[m].7 \leftarrow C$ $C \leftarrow [m].0$
Affected flag(s)	C

RRCA [m]	Rotate Data Memory right through Carry with result in ACC
Description	Data in the specified Data Memory and the carry flag are rotated right by 1 bit. Bit 0 replaces the Carry bit and the original carry flag is rotated into bit 7. The rotated result is stored in the Accumulator and the contents of the Data Memory remain unchanged.
Operation	ACC.i ← [m].(i+1); (i=0~6) ACC.7 ← C C ← [m].0
Affected flag(s)	C
SBC A,[m]	Subtract Data Memory from ACC with Carry
Description	The contents of the specified Data Memory and the complement of the carry flag are subtracted from the Accumulator. The result is stored in the Accumulator. Note that if the result of subtraction is negative, the C flag will be cleared to 0, otherwise if the result is positive or zero, the C flag will be set to 1.
Operation	ACC ← ACC – [m] – \bar{C}
Affected flag(s)	OV, Z, AC, C, SC, CZ
SBC A, x	Subtract immediate data from ACC with Carry
Description	The immediate data and the complement of the carry flag are subtracted from the Accumulator. The result is stored in the Accumulator. Note that if the result of subtraction is negative, the C flag will be cleared to 0, otherwise if the result is positive or zero, the C flag will be set to 1.
Operation	ACC ← ACC – [m] – \bar{C}
Affected flag(s)	OV, Z, AC, C, SC, CZ
SBCM A,[m]	Subtract Data Memory from ACC with Carry and result in Data Memory
Description	The contents of the specified Data Memory and the complement of the carry flag are subtracted from the Accumulator. The result is stored in the Data Memory. Note that if the result of subtraction is negative, the C flag will be cleared to 0, otherwise if the result is positive or zero, the C flag will be set to 1.
Operation	[m] ← ACC – [m] – \bar{C}
Affected flag(s)	OV, Z, AC, C, SC, CZ
SDZ [m]	Skip if decrement Data Memory is 0
Description	The contents of the specified Data Memory are first decremented by 1. If the result is 0 the following instruction is skipped. As this requires the insertion of a dummy instruction while the next instruction is fetched, it is a two cycle instruction. If the result is not 0 the program proceeds with the following instruction.
Operation	[m] ← [m] – 1 Skip if [m]=0
Affected flag(s)	None
SDZA [m]	Skip if decrement Data Memory is zero with result in ACC
Description	The contents of the specified Data Memory are first decremented by 1. If the result is 0, the following instruction is skipped. The result is stored in the Accumulator but the specified Data Memory contents remain unchanged. As this requires the insertion of a dummy instruction while the next instruction is fetched, it is a two cycle instruction. If the result is not 0, the program proceeds with the following instruction.
Operation	ACC ← [m] – 1 Skip if ACC=0
Affected flag(s)	None

SET [m]	Set Data Memory
Description	Each bit of the specified Data Memory is set to 1.
Operation	$[m] \leftarrow FFH$
Affected flag(s)	None
SET [m].i	Set bit of Data Memory
Description	Bit i of the specified Data Memory is set to 1.
Operation	$[m].i \leftarrow 1$
Affected flag(s)	None
SIZ [m]	Skip if increment Data Memory is 0
Description	The contents of the specified Data Memory are first incremented by 1. If the result is 0, the following instruction is skipped. As this requires the insertion of a dummy instruction while the next instruction is fetched, it is a two cycle instruction. If the result is not 0 the program proceeds with the following instruction.
Operation	$[m] \leftarrow [m] + 1$ Skip if $[m]=0$
Affected flag(s)	None
SIZA [m]	Skip if increment Data Memory is zero with result in ACC
Description	The contents of the specified Data Memory are first incremented by 1. If the result is 0, the following instruction is skipped. The result is stored in the Accumulator but the specified Data Memory contents remain unchanged. As this requires the insertion of a dummy instruction while the next instruction is fetched, it is a two cycle instruction. If the result is not 0 the program proceeds with the following instruction.
Operation	$ACC \leftarrow [m] + 1$ Skip if $ACC=0$
Affected flag(s)	None
SNZ [m].i	Skip if Data Memory is not 0
Description	If the specified Data Memory is not 0, the following instruction is skipped. As this requires the insertion of a dummy instruction while the next instruction is fetched, it is a two cycle instruction. If the result is 0 the program proceeds with the following instruction.
Operation	Skip if $[m].i \neq 0$
Affected flag(s)	None
SNZ [m]	Skip if Data Memory is not 0
Description	If the specified Data Memory is not 0, the following instruction is skipped. As this requires the insertion of a dummy instruction while the next instruction is fetched, it is a two cycle instruction. If the result is 0 the program proceeds with the following instruction.
Operation	Skip if $[m] \neq 0$
Affected flag(s)	None
SUB A,[m]	Subtract Data Memory from ACC
Description	The specified Data Memory is subtracted from the contents of the Accumulator. The result is stored in the Accumulator. Note that if the result of subtraction is negative, the C flag will be cleared to 0, otherwise if the result is positive or zero, the C flag will be set to 1.
Operation	$ACC \leftarrow ACC - [m]$
Affected flag(s)	OV, Z, AC, C, SC, CZ

SUBM A,[m]	Subtract Data Memory from ACC with result in Data Memory
Description	The specified Data Memory is subtracted from the contents of the Accumulator. The result is stored in the Data Memory. Note that if the result of subtraction is negative, the C flag will be cleared to 0, otherwise if the result is positive or zero, the C flag will be set to 1.
Operation	$[m] \leftarrow ACC - [m]$
Affected flag(s)	OV, Z, AC, C, SC, CZ
SUB A,x	Subtract immediate data from ACC
Description	The immediate data specified by the code is subtracted from the contents of the Accumulator. The result is stored in the Accumulator. Note that if the result of subtraction is negative, the C flag will be cleared to 0, otherwise if the result is positive or zero, the C flag will be set to 1.
Operation	$ACC \leftarrow ACC - x$
Affected flag(s)	OV, Z, AC, C, SC, CZ
SWAP [m]	Swap nibbles of Data Memory
Description	The low-order and high-order nibbles of the specified Data Memory are interchanged.
Operation	$[m].3 \sim [m].0 \leftrightarrow [m].7 \sim [m].4$
Affected flag(s)	None
SWAPA [m]	Swap nibbles of Data Memory with result in ACC
Description	The low-order and high-order nibbles of the specified Data Memory are interchanged. The result is stored in the Accumulator. The contents of the Data Memory remain unchanged.
Operation	$ACC.3 \sim ACC.0 \leftarrow [m].7 \sim [m].4$ $ACC.7 \sim ACC.4 \leftarrow [m].3 \sim [m].0$
Affected flag(s)	None
SZ [m]	Skip if Data Memory is 0
Description	If the contents of the specified Data Memory is 0, the following instruction is skipped. As this requires the insertion of a dummy instruction while the next instruction is fetched, it is a two cycle instruction. If the result is not 0 the program proceeds with the following instruction.
Operation	Skip if $[m]=0$
Affected flag(s)	None
SZA [m]	Skip if Data Memory is 0 with data movement to ACC
Description	The contents of the specified Data Memory are copied to the Accumulator. If the value is zero, the following instruction is skipped. As this requires the insertion of a dummy instruction while the next instruction is fetched, it is a two cycle instruction. If the result is not 0 the program proceeds with the following instruction.
Operation	$ACC \leftarrow [m]$ Skip if $[m]=0$
Affected flag(s)	None
SZ [m].i	Skip if bit i of Data Memory is 0
Description	If bit i of the specified Data Memory is 0, the following instruction is skipped. As this requires the insertion of a dummy instruction while the next instruction is fetched, it is a two cycle instruction. If the result is not 0, the program proceeds with the following instruction.
Operation	Skip if $[m].i=0$
Affected flag(s)	None

TABRD [m]	Read table (specific page) to TBLH and Data Memory
Description	The low byte of the program code (specific page) addressed by the table pointer (TBLP and TBHP) is moved to the specified Data Memory and the high byte moved to TBLH.
Operation	[m] ← program code (low byte) TBLH ← program code (high byte)
Affected flag(s)	None
XOR A,[m]	Logical XOR Data Memory to ACC
Description	Data in the Accumulator and the specified Data Memory perform a bitwise logical XOR operation. The result is stored in the Accumulator.
Operation	ACC ← ACC "XOR" [m]
Affected flag(s)	Z
XORM A,[m]	Logical XOR ACC to Data Memory
Description	Data in the specified Data Memory and the Accumulator perform a bitwise logical XOR operation. The result is stored in the Data Memory.
Operation	[m] ← ACC "XOR" [m]
Affected flag(s)	Z
XOR A,x	Logical XOR immediate data to ACC
Description	Data in the Accumulator and the specified immediate data perform a bitwise logical XOR operation. The result is stored in the Accumulator.
Operation	ACC ← ACC "XOR" x
Affected flag(s)	Z

Extended Instruction Definition

The extended instructions are used to directly access the data stored in any data memory sections.

LADC A,[m]	Add Data Memory to ACC with Carry
Description	The contents of the specified Data Memory, Accumulator and the carry flag are added. The result is stored in the Accumulator.
Operation	$ACC \leftarrow ACC + [m] + C$
Affected flag(s)	OV, Z, AC, C, SC
LADCM A,[m]	Add ACC to Data Memory with Carry
Description	The contents of the specified Data Memory, Accumulator and the carry flag are added. The result is stored in the specified Data Memory.
Operation	$[m] \leftarrow ACC + [m] + C$
Affected flag(s)	OV, Z, AC, C, SC
LADD A,[m]	Add Data Memory to ACC
Description	The contents of the specified Data Memory and the Accumulator are added. The result is stored in the Accumulator.
Operation	$ACC \leftarrow ACC + [m]$
Affected flag(s)	OV, Z, AC, C, SC
LADDM A,[m]	Add ACC to Data Memory
Description	The contents of the specified Data Memory and the Accumulator are added. The result is stored in the specified Data Memory.
Operation	$[m] \leftarrow ACC + [m]$
Affected flag(s)	OV, Z, AC, C, SC
LAND A,[m]	Logical AND Data Memory to ACC
Description	Data in the Accumulator and the specified Data Memory perform a bitwise logical AND operation. The result is stored in the Accumulator.
Operation	$ACC \leftarrow ACC \text{ "AND" } [m]$
Affected flag(s)	Z
LANDM A,[m]	Logical AND ACC to Data Memory
Description	Data in the specified Data Memory and the Accumulator perform a bitwise logical AND operation. The result is stored in the Data Memory.
Operation	$[m] \leftarrow ACC \text{ "AND" } [m]$
Affected flag(s)	Z
LCLR [m]	Clear Data Memory
Description	Each bit of the specified Data Memory is cleared to 0.
Operation	$[m] \leftarrow 00H$
Affected flag(s)	None
LCLR [m].i	Clear bit of Data Memory
Description	Bit i of the specified Data Memory is cleared to 0.
Operation	$[m].i \leftarrow 0$
Affected flag(s)	None

LCPL [m]	Complement Data Memory
Description	Each bit of the specified Data Memory is logically complemented (1's complement). Bits which previously contained a 1 are changed to 0 and vice versa.
Operation	$[m] \leftarrow \overline{[m]}$
Affected flag(s)	Z
LCPLA [m]	Complement Data Memory with result in ACC
Description	Each bit of the specified Data Memory is logically complemented (1's complement). Bits which previously contained a 1 are changed to 0 and vice versa. The complemented result is stored in the Accumulator and the contents of the Data Memory remain unchanged.
Operation	$ACC \leftarrow \overline{[m]}$
Affected flag(s)	Z
LDAA [m]	Decimal-Adjust ACC for addition with result in Data Memory
Description	Convert the contents of the Accumulator value to a BCD (Binary Coded Decimal) value resulting from the previous addition of two BCD variables. If the low nibble is greater than 9 or if AC flag is set, then a value of 6 will be added to the low nibble. Otherwise the low nibble remains unchanged. If the high nibble is greater than 9 or if the C flag is set, then a value of 6 will be added to the high nibble. Essentially, the decimal conversion is performed by adding 00H, 06H, 60H or 66H depending on the Accumulator and flag conditions. Only the C flag may be affected by this instruction which indicates that if the original BCD sum is greater than 100, it allows multiple precision decimal addition.
Operation	$[m] \leftarrow ACC + 00H$ or $[m] \leftarrow ACC + 06H$ or $[m] \leftarrow ACC + 60H$ or $[m] \leftarrow ACC + 66H$
Affected flag(s)	C
LDEC [m]	Decrement Data Memory
Description	Data in the specified Data Memory is decremented by 1.
Operation	$[m] \leftarrow [m] - 1$
Affected flag(s)	Z
LDECA [m]	Decrement Data Memory with result in ACC
Description	Data in the specified Data Memory is decremented by 1. The result is stored in the Accumulator. The contents of the Data Memory remain unchanged.
Operation	$ACC \leftarrow [m] - 1$
Affected flag(s)	Z
LINC [m]	Increment Data Memory
Description	Data in the specified Data Memory is incremented by 1.
Operation	$[m] \leftarrow [m] + 1$
Affected flag(s)	Z
LINCA [m]	Increment Data Memory with result in ACC
Description	Data in the specified Data Memory is incremented by 1. The result is stored in the Accumulator. The contents of the Data Memory remain unchanged.
Operation	$ACC \leftarrow [m] + 1$
Affected flag(s)	Z

LMOV A,[m]	Move Data Memory to ACC
Description	The contents of the specified Data Memory are copied to the Accumulator.
Operation	$ACC \leftarrow [m]$
Affected flag(s)	None
LMOV [m],A	Move ACC to Data Memory
Description	The contents of the Accumulator are copied to the specified Data Memory.
Operation	$[m] \leftarrow ACC$
Affected flag(s)	None
LOR A,[m]	Logical OR Data Memory to ACC
Description	Data in the Accumulator and the specified Data Memory perform a bitwise logical OR operation. The result is stored in the Accumulator.
Operation	$ACC \leftarrow ACC \text{ "OR" } [m]$
Affected flag(s)	Z
LORM A,[m]	Logical OR ACC to Data Memory
Description	Data in the specified Data Memory and the Accumulator perform a bitwise logical OR operation. The result is stored in the Data Memory.
Operation	$[m] \leftarrow ACC \text{ "OR" } [m]$
Affected flag(s)	Z
LRL [m]	Rotate Data Memory left
Description	The contents of the specified Data Memory are rotated left by 1 bit with bit 7 rotated into bit 0.
Operation	$[m].(i+1) \leftarrow [m].i; (i=0\sim 6)$ $[m].0 \leftarrow [m].7$
Affected flag(s)	None
LRLA [m]	Rotate Data Memory left with result in ACC
Description	The contents of the specified Data Memory are rotated left by 1 bit with bit 7 rotated into bit 0. The rotated result is stored in the Accumulator and the contents of the Data Memory remain unchanged.
Operation	$ACC.(i+1) \leftarrow [m].i; (i=0\sim 6)$ $ACC.0 \leftarrow [m].7$
Affected flag(s)	None
LRLC [m]	Rotate Data Memory left through Carry
Description	The contents of the specified Data Memory and the carry flag are rotated left by 1 bit. Bit 7 replaces the Carry bit and the original carry flag is rotated into bit 0.
Operation	$[m].(i+1) \leftarrow [m].i; (i=0\sim 6)$ $[m].0 \leftarrow C$ $C \leftarrow [m].7$
Affected flag(s)	C
LRLCA [m]	Rotate Data Memory left through Carry with result in ACC
Description	Data in the specified Data Memory and the carry flag are rotated left by 1 bit. Bit 7 replaces the Carry bit and the original carry flag is rotated into the bit 0. The rotated result is stored in the Accumulator and the contents of the Data Memory remain unchanged.
Operation	$ACC.(i+1) \leftarrow [m].i; (i=0\sim 6)$ $ACC.0 \leftarrow C$ $C \leftarrow [m].7$
Affected flag(s)	C

LRR [m]	Rotate Data Memory right
Description	The contents of the specified Data Memory are rotated right by 1 bit with bit 0 rotated into bit 7.
Operation	$[m].i \leftarrow [m].(i+1); (i=0\sim 6)$ $[m].7 \leftarrow [m].0$
Affected flag(s)	None
LRRRA [m]	Rotate Data Memory right with result in ACC
Description	Data in the specified Data Memory is rotated right by 1 bit with bit 0 rotated into bit 7. The rotated result is stored in the Accumulator and the contents of the Data Memory remain unchanged.
Operation	$ACC.i \leftarrow [m].(i+1); (i=0\sim 6)$ $ACC.7 \leftarrow [m].0$
Affected flag(s)	None
LRRC [m]	Rotate Data Memory right through Carry
Description	The contents of the specified Data Memory and the carry flag are rotated right by 1 bit. Bit 0 replaces the Carry bit and the original carry flag is rotated into bit 7.
Operation	$[m].i \leftarrow [m].(i+1); (i=0\sim 6)$ $[m].7 \leftarrow C$ $C \leftarrow [m].0$
Affected flag(s)	C
LRRCA [m]	Rotate Data Memory right through Carry with result in ACC
Description	Data in the specified Data Memory and the carry flag are rotated right by 1 bit. Bit 0 replaces the Carry bit and the original carry flag is rotated into bit 7. The rotated result is stored in the Accumulator and the contents of the Data Memory remain unchanged.
Operation	$ACC.i \leftarrow [m].(i+1); (i=0\sim 6)$ $ACC.7 \leftarrow C$ $C \leftarrow [m].0$
Affected flag(s)	C
LSBC A,[m]	Subtract Data Memory from ACC with Carry
Description	The contents of the specified Data Memory and the complement of the carry flag are subtracted from the Accumulator. The result is stored in the Accumulator. Note that if the result of subtraction is negative, the C flag will be cleared to 0, otherwise if the result is positive or zero, the C flag will be set to 1.
Operation	$ACC \leftarrow ACC - [m] - \bar{C}$
Affected flag(s)	OV, Z, AC, C, SC, CZ
LSBCM A,[m]	Subtract Data Memory from ACC with Carry and result in Data Memory
Description	The contents of the specified Data Memory and the complement of the carry flag are subtracted from the Accumulator. The result is stored in the Data Memory. Note that if the result of subtraction is negative, the C flag will be cleared to 0, otherwise if the result is positive or zero, the C flag will be set to 1.
Operation	$[m] \leftarrow ACC - [m] - \bar{C}$
Affected flag(s)	OV, Z, AC, C, SC, CZ

LSDZ [m]	Skip if decrement Data Memory is 0
Description	The contents of the specified Data Memory are first decremented by 1. If the result is 0 the following instruction is skipped. As this requires the insertion of a dummy instruction while the next instruction is fetched, it is a three cycle instruction. If the result is not 0 the program proceeds with the following instruction.
Operation	$[m] \leftarrow [m] - 1$ Skip if $[m]=0$
Affected flag(s)	None
LSDZA [m]	Skip if decrement Data Memory is zero with result in ACC
Description	The contents of the specified Data Memory are first decremented by 1. If the result is 0, the following instruction is skipped. The result is stored in the Accumulator but the specified Data Memory contents remain unchanged. As this requires the insertion of a dummy instruction while the next instruction is fetched, it is a three cycle instruction. If the result is not 0, the program proceeds with the following instruction.
Operation	$ACC \leftarrow [m] - 1$ Skip if $ACC=0$
Affected flag(s)	None
LSET [m]	Set Data Memory
Description	Each bit of the specified Data Memory is set to 1.
Operation	$[m] \leftarrow FFH$
Affected flag(s)	None
LSET [m].i	Set bit of Data Memory
Description	Bit i of the specified Data Memory is set to 1.
Operation	$[m].i \leftarrow 1$
Affected flag(s)	None
LSIZ [m]	Skip if increment Data Memory is 0
Description	The contents of the specified Data Memory are first incremented by 1. If the result is 0, the following instruction is skipped. As this requires the insertion of a dummy instruction while the next instruction is fetched, it is a three cycle instruction. If the result is not 0 the program proceeds with the following instruction.
Operation	$[m] \leftarrow [m] + 1$ Skip if $[m]=0$
Affected flag(s)	None
LSIZA [m]	Skip if increment Data Memory is zero with result in ACC
Description	The contents of the specified Data Memory are first incremented by 1. If the result is 0, the following instruction is skipped. The result is stored in the Accumulator but the specified Data Memory contents remain unchanged. As this requires the insertion of a dummy instruction while the next instruction is fetched, it is a three cycle instruction. If the result is not 0 the program proceeds with the following instruction.
Operation	$ACC \leftarrow [m] + 1$ Skip if $ACC=0$
Affected flag(s)	None
LSNZ [m].i	Skip if Data Memory is not 0
Description	If the specified Data Memory is not 0, the following instruction is skipped. As this requires the insertion of a dummy instruction while the next instruction is fetched, it is a three cycle instruction. If the result is 0 the program proceeds with the following instruction.
Operation	Skip if $[m].i \neq 0$
Affected flag(s)	None

LSNZ [m]	Skip if Data Memory is not 0
Description	If the content of the specified Data Memory is not 0, the following instruction is skipped. As this requires the insertion of a dummy instruction while the next instruction is fetched, it is a three cycle instruction. If the result is 0 the program proceeds with the following instruction.
Operation	Skip if [m] ≠ 0
Affected flag(s)	None
LSUB A,[m]	Subtract Data Memory from ACC
Description	The specified Data Memory is subtracted from the contents of the Accumulator. The result is stored in the Accumulator. Note that if the result of subtraction is negative, the C flag will be cleared to 0, otherwise if the result is positive or zero, the C flag will be set to 1.
Operation	ACC ← ACC – [m]
Affected flag(s)	OV, Z, AC, C, SC, CZ
LSUBM A,[m]	Subtract Data Memory from ACC with result in Data Memory
Description	The specified Data Memory is subtracted from the contents of the Accumulator. The result is stored in the Data Memory. Note that if the result of subtraction is negative, the C flag will be cleared to 0, otherwise if the result is positive or zero, the C flag will be set to 1.
Operation	[m] ← ACC – [m]
Affected flag(s)	OV, Z, AC, C, SC, CZ
LSWAP [m]	Swap nibbles of Data Memory
Description	The low-order and high-order nibbles of the specified Data Memory are interchanged.
Operation	[m].3~[m].0 ↔ [m].7~[m].4
Affected flag(s)	None
LSWAPA [m]	Swap nibbles of Data Memory with result in ACC
Description	The low-order and high-order nibbles of the specified Data Memory are interchanged. The result is stored in the Accumulator. The contents of the Data Memory remain unchanged.
Operation	ACC.3~ACC.0 ← [m].7~[m].4 ACC.7~ACC.4 ← [m].3~[m].0
Affected flag(s)	None
LSZ [m]	Skip if Data Memory is 0
Description	If the contents of the specified Data Memory is 0, the following instruction is skipped. As this requires the insertion of a dummy instruction while the next instruction is fetched, it is a three cycle instruction. If the result is not 0 the program proceeds with the following instruction.
Operation	Skip if [m]=0
Affected flag(s)	None
LSZA [m]	Skip if Data Memory is 0 with data movement to ACC
Description	The contents of the specified Data Memory are copied to the Accumulator. If the value is zero, the following instruction is skipped. As this requires the insertion of a dummy instruction while the next instruction is fetched, it is a three cycle instruction. If the result is not 0 the program proceeds with the following instruction.
Operation	ACC ← [m] Skip if [m]=0
Affected flag(s)	None

LSZ [m].i	Skip if bit i of Data Memory is 0
Description	If bit i of the specified Data Memory is 0, the following instruction is skipped. As this requires the insertion of a dummy instruction while the next instruction is fetched, it is a three cycle instruction. If the result is not 0, the program proceeds with the following instruction.
Operation	Skip if [m].i=0
Affected flag(s)	None
LTABRD [m]	Read table (specific page) to TBLH and Data Memory
Description	The low byte of the program code (specific page) addressed by the table pointer (TBHP and TBLP) is moved to the specified Data Memory and the high byte moved to TBLH.
Operation	[m] ← program code (low byte) TBLH ← program code (high byte)
Affected flag(s)	None
LXOR A,[m]	Logical XOR Data Memory to ACC
Description	Data in the Accumulator and the specified Data Memory perform a bitwise logical XOR operation. The result is stored in the Accumulator.
Operation	ACC ← ACC "XOR" [m]
Affected flag(s)	Z
LXORM A,[m]	Logical XOR ACC to Data Memory
Description	Data in the specified Data Memory and the Accumulator perform a bitwise logical XOR operation. The result is stored in the Data Memory.
Operation	[m] ← ACC "XOR" [m]
Affected flag(s)	Z

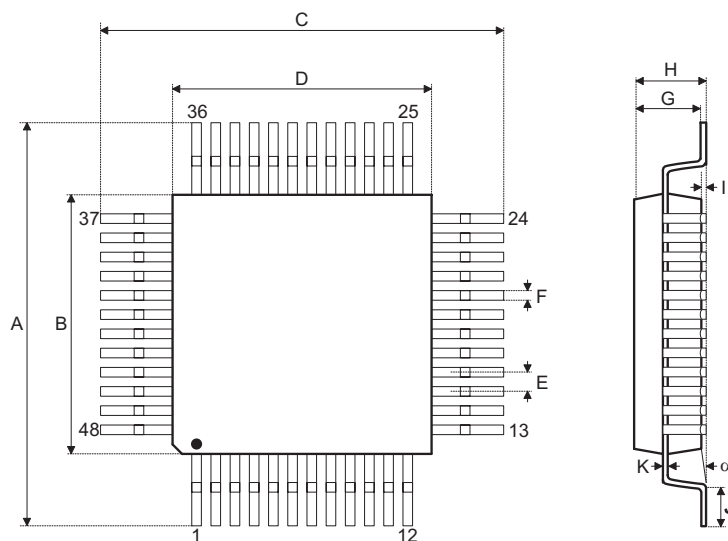
Package Information

Note that the package information provided here is for consultation purposes only. As this information may be updated at regular intervals users are reminded to consult the [Holtek website](#) for the latest version of the [Package/Carton Information](#).

Additional supplementary information with regard to packaging is listed below. Click on the relevant section to be transferred to the relevant website page.

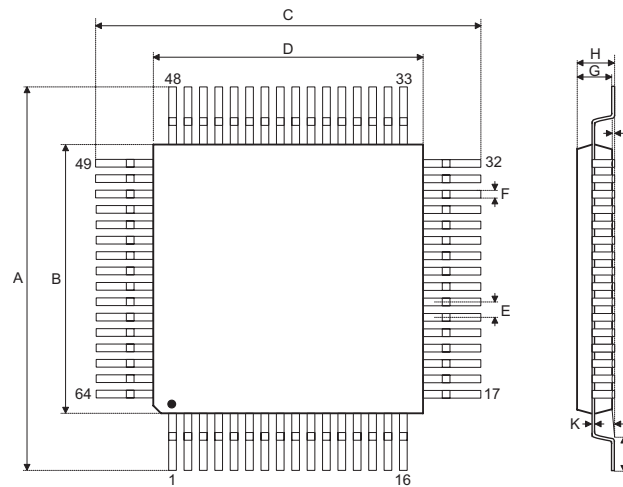
- Package Information (include Outline Dimensions, Product Tape and Reel Specifications)
- The Operation Instruction of Packing Materials
- Carton information

48-pin LQFP (7mm×7mm) Outline Dimensions



Symbol	Dimensions in inch		
	Min.	Nom.	Max.
A	—	0.354 BSC	—
B	—	0.276 BSC	—
C	—	0.354 BSC	—
D	—	0.276 BSC	—
E	—	0.020 BSC	—
F	0.007	0.009	0.011
G	0.053	0.055	0.057
H	—	—	0.063
I	0.002	—	0.006
J	0.018	0.024	0.030
K	0.004	—	0.008
α	0°	—	7°

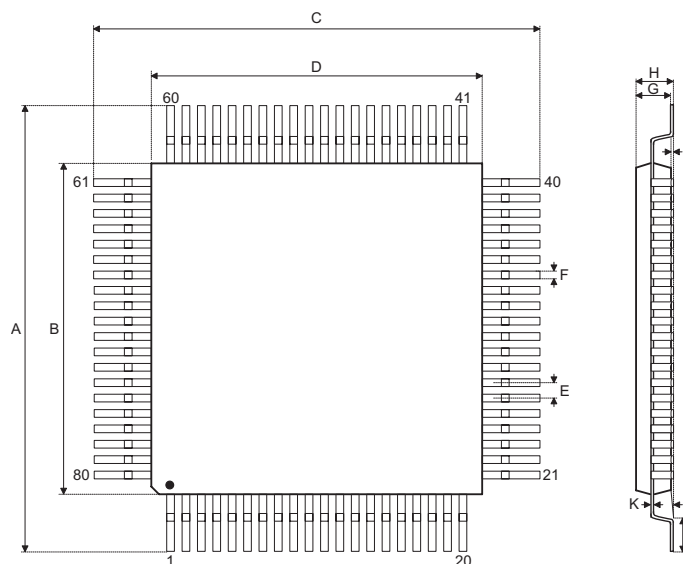
Symbol	Dimensions in mm		
	Min.	Nom.	Max.
A	—	9.00 BSC	—
B	—	7.00 BSC	—
C	—	9.00 BSC	—
D	—	7.00 BSC	—
E	—	0.50 BSC	—
F	0.17	0.22	0.27
G	1.35	1.40	1.45
H	—	—	1.60
I	0.05	—	0.15
J	0.45	0.60	0.75
K	0.09	—	0.20
α	0°	—	7°

64-pin LQFP (7mm×7mm) Outline Dimensions


Symbol	Dimensions in inch		
	Min.	Nom.	Max.
A	—	0.354 BSC	—
B	—	0.276 BSC	—
C	—	0.354 BSC	—
D	—	0.276 BSC	—
E	—	0.016 BSC	—
F	0.005	0.007	0.009
G	0.053	0.055	0.057
H	—	—	0.063
I	0.002	—	0.006
J	0.018	0.024	0.030
K	0.004	—	0.008
α	0°	—	7°

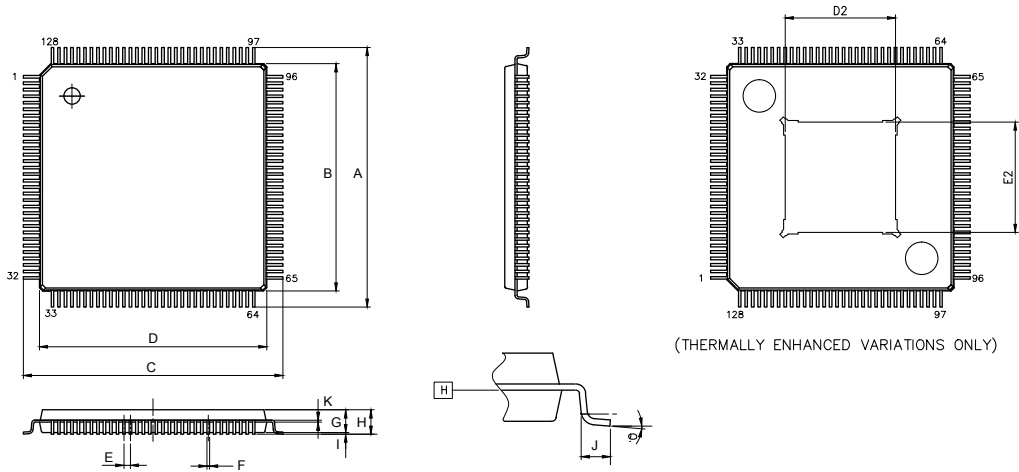
Symbol	Dimensions in mm		
	Min.	Nom.	Max.
A	—	9.00 BSC	—
B	—	7.00 BSC	—
C	—	9.00 BSC	—
D	—	7.00 BSC	—
E	—	0.40 BSC	—
F	0.13	0.18	0.23
G	1.35	1.40	1.45
H	—	—	1.60
I	0.05	—	0.15
J	0.45	0.60	0.75
K	0.09	—	0.20
α	0°	—	7°

80-pin LQFP (10mm×10mm) Outline Dimensions



Symbol	Dimensions in inch		
	Min.	Nom.	Max.
A	—	0.472 BSC	—
B	—	0.394 BSC	—
C	—	0.472 BSC	—
D	—	0.394 BSC	—
E	—	0.015 BSC	—
F	0.005	0.007	0.009
G	0.053	0.055	0.057
H	—	—	0.063
I	0.002	—	0.006
J	0.018	0.024	0.030
K	0.004	—	0.008
α	0°	—	7°

Symbol	Dimensions in mm		
	Min.	Nom.	Max.
A	—	12.00 BSC	—
B	—	10.00 BSC	—
C	—	12.00 BSC	—
D	—	10.00 BSC	—
E	—	0.40 BSC	—
F	0.13	0.18	0.23
G	1.35	1.40	1.45
H	—	—	1.60
I	0.05	—	0.15
J	0.45	0.60	0.75
K	0.09	—	0.20
α	0°	—	7°

128-pin LQFP (14mm×14mm) Outline Dimensions (Exposed Pad)


Symbol	Dimensions in inch		
	Min.	Nom.	Max.
A	—	0.630 BSC	—
B	—	0.551 BSC	—
C	—	0.630 BSC	—
D	—	0.551 BSC	—
D2	0.228	—	0.236
E	—	0.016 BSC	—
E2	0.228	—	0.236
F	0.005	0.006	0.009
G	0.053	0.055	0.057
H	—	—	0.063
I	0.002	—	0.006
J	0.018	0.024	0.030
K	0.004	—	0.008
α	0°	—	7°

Symbol	Dimensions in mm		
	Min.	Nom.	Max.
A	—	16.00 BSC	—
B	—	14.00 BSC	—
C	—	16.00 BSC	—
D	—	14.00 BSC	—
D2	5.79	—	5.99
E	—	0.40 BSC	—
E2	5.79	—	5.99
F	0.13	0.16	0.23
G	1.35	1.40	1.45
H	—	—	1.60
I	0.05	—	0.15
J	0.45	0.60	0.75
K	0.09	—	0.20
α	0°	—	7°

Copyright© 2021 by HOLTEK SEMICONDUCTOR INC.

The information appearing in this Data Sheet is believed to be accurate at the time of publication. However, Holtek assumes no responsibility arising from the use of the specifications described. The applications mentioned herein are used solely for the purpose of illustration and Holtek makes no warranty or representation that such applications will be suitable without further modification, nor recommends the use of its products for application that may present a risk to human life due to malfunction or otherwise. Holtek's products are not authorized for use as critical components in life support devices or systems. Holtek reserves the right to alter its products without prior notification. For the most up-to-date information, please visit our web site at <http://www.holtek.com>.