

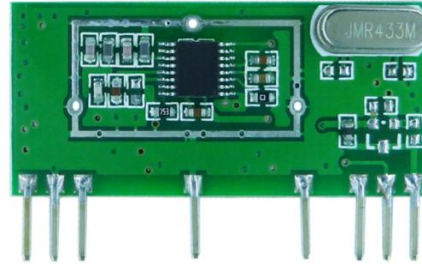


Type: ASK/OOK Super-Heterodyne Receiver Module

Model: CY58-V1.1-XXX

Description:

The CY58-V1.1 is a ASK/OOK superhet receiver based on Xtal, which is designed with high sensitivity, long distance, easy use for designing, it can be able to fulfill most demands of European market specially.



Order Information:

Model NO.	Freq.
CY58-V1.1-315	315MHz
CY58-V1.1-433	433.92MHz
CY58-V1.1-868	868.30MHz

Features:

- Frequency: 315MHz/433.92/868.30MHz (custom frequency is available)
- High sensitivity up to -110 dBm@433, -107 dBm@868
- Supply voltage: VCC= 3.6 to 5.5 V @433, 4.5 to 5.5 V @868;
- IF band: 230KHz;
- Low power consumption: 4.8mA@315M, [6mA@433.92M](#), 13mA@868.30;
- Wide operating temperature; -20°C ~ 70°C
- Excellent selectivity and noise rejection;
- Easy for to use for all wireless applications;
- SIL(single in line) small package;

Application

- Garage door and gate openers
- Remote controls
- Remote fan and light control
- Smart home system
- Alarm and security system

Pin Description

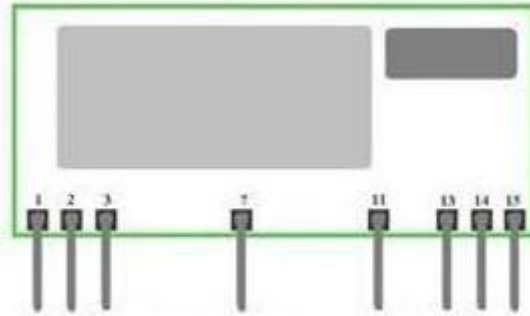


Figure1 CY58-V1.1 Shape & Pins

Pin	Pin Name	Pin Definition
1	N.C.	Not Connected.
2-7	GND	Ground.
3	Antenna	Antenna input, impedance 50 ohm.
11	N.C.	Not Connected.
13	N.C.	Not Connected.
14	Data Output	Data output from the receiver.
15	+Vs	Positive Voltage Supply.

Note1: ANT pin is a 50 ohm antenna input. The length is about:
 23cm for 315MHz
 17cm for 433.92MHz
 8.5cm for 868.30MHz

**Electrical Characteristics:**

Condition: Ta=25°C Vcc=5.0V Frequency=315MHz

Parameter	Specification			Unit	Condition
	Min	Typ.	Max		
Frequency range		315		MHz	Other freq. available
Receiver sensitivity		-110		dBm	BER=10E-2
Data rata	0.58	2.4	9.6	Kbps	Manchester code
Supply voltage, VDD	3.6		5.5	V	DC
Current		4.8		mA	
Operation temperature	-20		+70	°C	

Condition: Ta=25°C Vcc=5.0V Frequency=433.92MHz

Parameter	Specification			Unit	Condition
	Min	Typ.	Max		
Frequency range		433.92		MHz	Other freq. available
Receiver sensitivity		-110		dBm	BER=10E-2
Data rata	0.58	2.4	9.6	Kbps	Manchester code
Supply voltage, VDD	3.6		5.5	V	DC
Current		6		mA	DC
Operation temperature	-20		+70	°C	

Condition: Ta=25°C Vcc=5.0V Frequency=868.30MHz

Parameter	Specification			Unit	Condition
	Min	Typ.	Max		
Frequency range	868.25	868.3	868.45	MHz	Other freq. available
Receiver sensitivity		-107		dBm	BER=10E-2
Data rata	0.58	1.2	4.8	Kbps	Manchester code
Supply voltage, VDD	4.5	5	5.5	V	DC
Current		13		mA	
Operation temperature	-20		+70	°C	

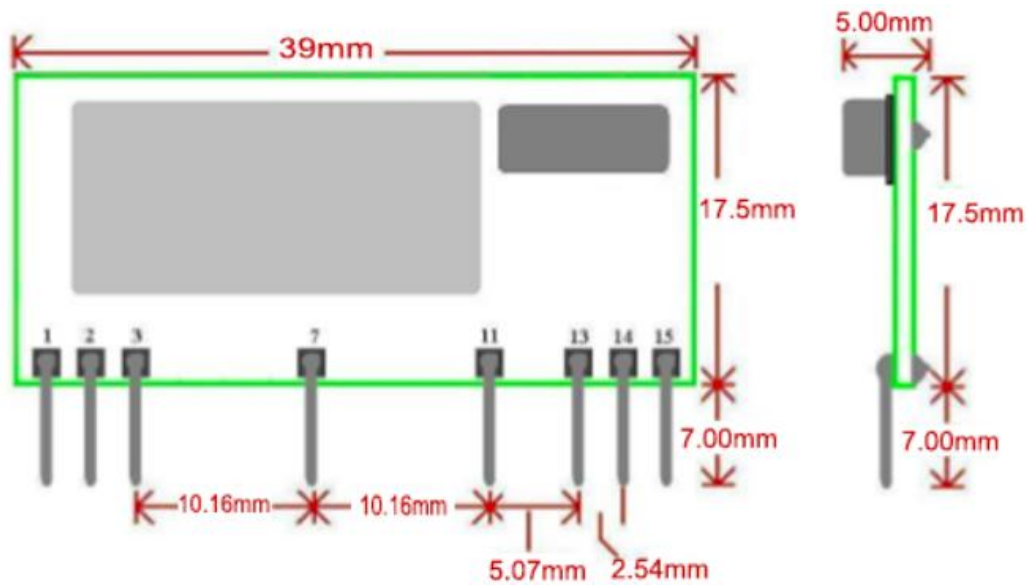
Mechanical Size: (Unit: MM)

Figure2 CY58-V1.1 Dimension

For more information and assistance, please contact us as follows:

CY WIRELESS TECHNOLOGY LIMITED

Add: 1407, Block C, Tairan Building, 8th Tairan Road, Futian District,

Shenzhen, Guangdong Province, China

Website: www.rficy.com

Email: info@rficy.com