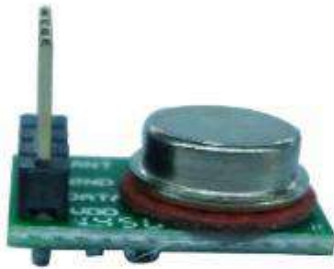


Type: ASK Transmitter Module
Model: CYT1

1. DESCRIPTION:

The CYT1 is an ASK transmitter module. It is simple to use with excellent performance. The CYT1 is designed specifically for remote-control, wireless mouse and car alarm system operating at 315MHz/433.92MHz.



Vertical Type



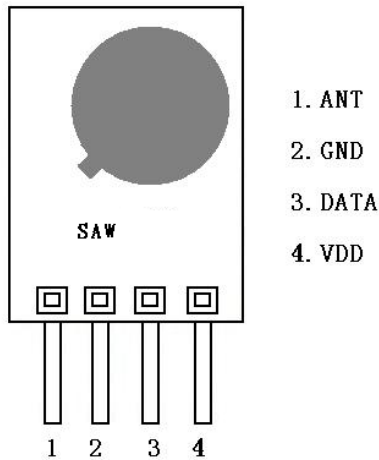
Parallel Type

2. FEATURES:

- The range can be 500m when matching with CY11
- Operation voltage: VCC= 2.6 to 12V;
- Frequency: 315MHz/433.92MHz(custom frequency is available);
- High output power: 15dBm;
- Frequency tolerance: ± 75 KHz;
- Current: 12mA;
- Operating temperature: $-20^{\circ}\text{C} \sim +70^{\circ}\text{C}$
- Bit rate: $< 1.2\text{kbps}$;

3. APPLICATION:

- Remote gate controls
- Remote keyless entry
- Car alarm systems
- Wireless security systems
- Automation systems

4. PIN DEFINITION:


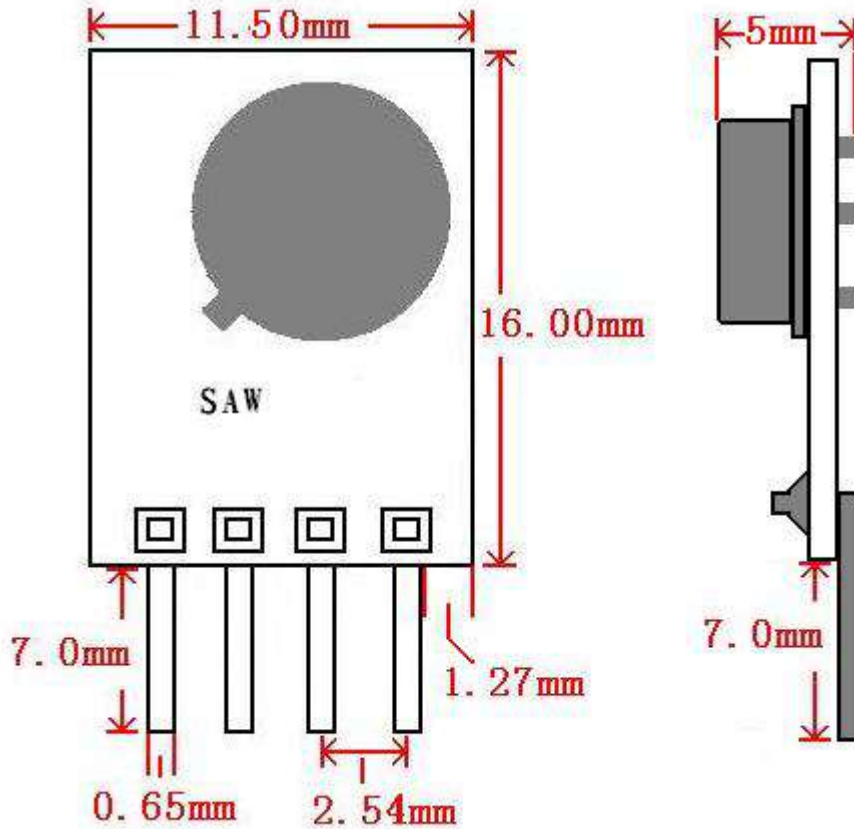
Pin-out as showed in Fingure 1 above.

| Pin Name | Pin Definition |
|-------------|----------------------------------|
| ANT | Antenna Out |
| GND | Connect to negative power supply |
| DATA | Data connected to MCU |
| VDD | Connect to positive power supply |

5. ELECTRICAL CHARACTERISTICS:

Condition: Ta=25°C Vcc=5.0V

| Characteristics | Symbol | Condition | Value | | | Unit |
|---------------------|--------|-----------|-------|--------|--------|------|
| | | | Min | Typ | Max | |
| Frequency | Fc | | 315 | | 433.92 | MHz |
| Modulation Mode | | | ASK | | | |
| Output power | | 5V/50Ω | | 12dBm | | dBm |
| Data-rate | | | | 1.2KHz | | Hz |
| Frequency Tolerate | Fc | | | ±75K | | Hz |
| Current | IRC | | | | 12 | mA |
| Working Voltage | VCC | | 2.6 | | 12 | V |
| Working Temperature | TC | | -20 | | +70 | °C |

6. MECHANICAL SIZE: (unit: mm)**Figure 2 CYT1 Dimension**

For more information and assistance, please kindly contact us as follows:

CY WIRELESS TECHNOLOGY LIMITED

Add: 1407, Block C, Tairan Building, 8th Tairan Road, Futian District,

Shenzhen, Guangdong Province, China

Website: www.rficy.com

Email: info@rficy.com