

Features

- Operating voltage: 2.2V~5.5V
- Low standby current
- Auto-calibration
- Reliable touch detections
- Standby and normal operating modes
- Maximum key on duration time detection
- Adaptive voltage drop function
- Level Hold, selectable active level-low or high
- NMOS output with internal pull-high/CMOS-Direct Output
- Both serial interface and parallel outputs
- Sensitivity adjustment using an external capacitor
- Minimal number of external components

General Description

The BS81x is a series of 1~16 key touch key devices which can detect human body contact using external touch pads. The high level of device integration enable applications to be implemented with a minimum number of external components.

The BS81x series devices are equipped with serial or parallel interfaces to allow easy communication with an external MCU for device setup and for touch pin monitoring purposes. Special internal circuitry is also employed to ensure excellent power noise rejection to reduce the possibility of false detections, increasing the touch switch application reliability under adverse environmental conditions.

With auto-calibration, low standby current, excellent resistance to voltage fluctuation and other features, this range of touch key devices provide a simple and effective means of implementing touch key operation in a wide variety of applications.

Selection Table

For this device series, most of the feature are similar. The BS818C-3, BS8112C-3 and BS8116C-3 provide I²C function. The BS814C-2 and BS818C-2 include a serial interface function while the BS811C-1, BS812C-1, BS813C-1, BS814C-1 and BS816C-1 have parallel outputs. Meanwhile the BS818C-3, BS8112C-3 and BS8116C-3 can set up some options and the sensitivity through the I²C communication interface and the BS816C-1 and BS818C-2 include two hardware options. The following table summarizes the main characteristics of each device.

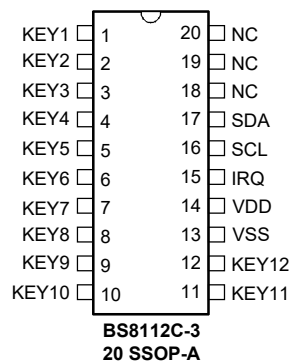
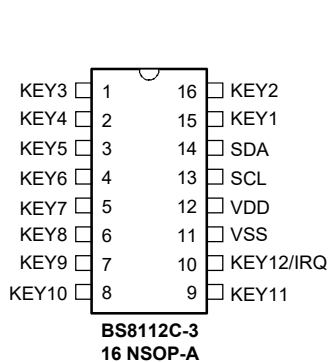
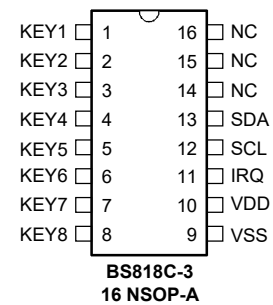
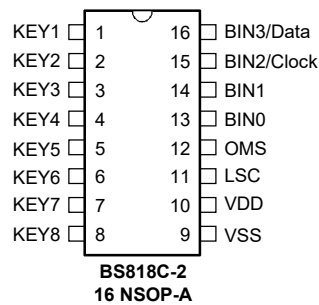
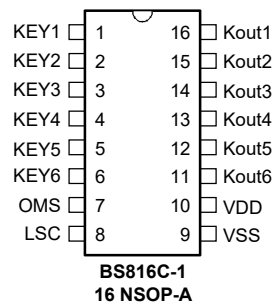
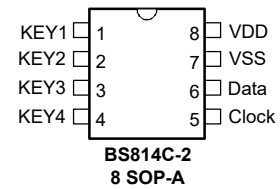
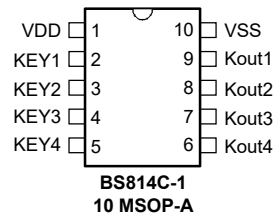
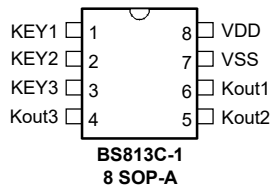
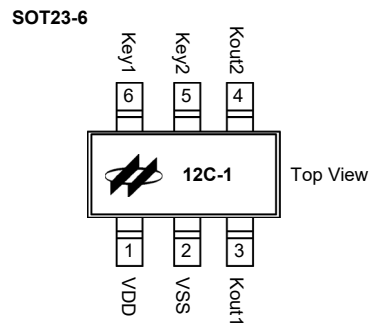
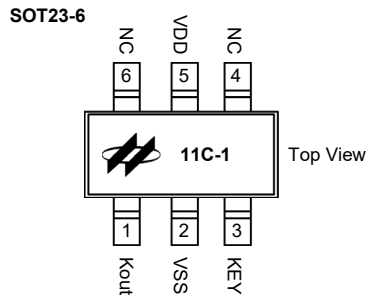
Part No.	Touch Key	V _{DD}	Standby Current at 3V		Key Output Type	Package	Serial Interface
			One-key Wake-up	Any-key Wake-up			
BS811C-1	1-Key	2.2V~5.5V	—	2.5μA	Active Low	SOT23-6	—
BS812C-1	2-Key	2.2V~5.5V	—	3.5μA	Active Low	SOT23-6	—
BS813C-1	3-Key	2.2V~5.5V	—	4.0μA	Active Low	8SOP	—
BS814C-1	4-Key	2.2V~5.5V	—	5.0μA	Active Low	10MSOP	—
BS814C-2	4-Key	2.2V~5.5V	—	5.0μA	—	8SOP	√
BS816C-1	6-Key	2.2V~5.5V	—	7.5μA/3.5μA*	Active Low/ Active High*	16NSOP	—
BS818C-2	8-key	2.2V~5.5V	—	8.5μA/3.5μA*	Binary*	16NSOP	√
BS818C-3	8-Key	2.2V~5.5V	3.5μA/2.5μA**	8.0μA/3.5μA**	I ² C	16NSOP	√
BS8112C-3	12-Key	2.2V~5.5V	4.0μA/2.5μA**	12.0μA/4.5μA**	I ² C	16NSOP, 20SSOP	√
BS8116C-3	16-Key	2.2V~5.5V	4.0μA/2.5μA**	16.0μA/5.5μA**	I ² C	20/24SSOP	√

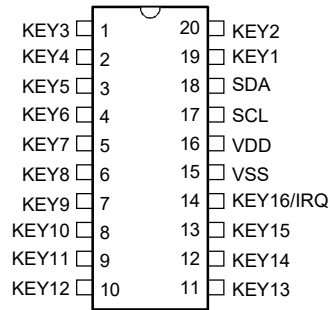
Note: 1. The BS81x series devices have enhanced noise rejection performance.

2. * pin selected option.

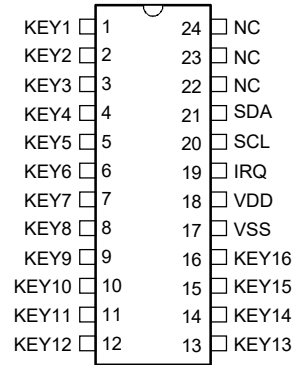
3. ** option by I²C communication.

Pin Assignment





**BS8116C-3
20 SSOP-A**



**BS8116C-3
24 SSOP-A**

Pin Description

BS811C-1

Pin Name	I/O	Description
Key	Input	Touch key input pin, unused touch keys require grounding
Kout	NMOS output	Touch key output pin with internal pull-high
VSS	—	Negative power supply, ground
VDD	—	Positive power supply
NC	—	Not Connected

BS812C-1

Pin Name	I/O	Description
Key1~Key2	Input	Touch key input pin, unused touch keys require grounding
Kout1~Kout2	NMOS output	Touch key output pin with internal pull-high
VSS	—	Negative power supply, ground
VDD	—	Positive power supply

BS813C-1

Pin Name	I/O	Description
Key1~Key3	Input	Touch key input pin, unused touch keys require grounding
Kout1~Kout3	NMOS output	Touch key output pin with internal pull-high
VSS	—	Negative power supply, ground
VDD	—	Positive power supply

BS814C-1

Pin Name	I/O	Description
Key1~Key4	Input	Touch key input pin, unused touch keys require grounding
Kout1~Kout4	NMOS output	Touch key output pin with internal pull-high
VSS	—	Negative power supply, ground
VDD	—	Positive power supply

BS814C-2

Pin Name	I/O	Description
Key1~Key4	Input	Touch key input pin, unused touch keys require grounding
Clock	Input	2-wire series interface Clock input with internal pull-high
Data	NMOS output	2-wire series interface Date NMOS output with internal pull-high
VSS	—	Negative power supply, ground
VDD	—	Positive power supply

BS816C-1

Pin Name	I/O	Description
Key1~Key6	Input	Touch key input pin, unused touch keys require grounding
OMS	Input	Output Mode Selection Open=NMOS output (low active) Grounded=CMOS-Direct output (high active)
LSC	Input	Power-saving mode selection Open= General power-saving mode Grounded=More power-saving mode
Kout1~Kout6	NMOS output CMOS output	OMS open, NMOS output with internal pull-high OMS grounded, CMOS-Direct output
VSS	—	Negative power supply, ground
VDD	—	Positive power supply

BS818C-2

Pin Name	I/O	Description
Key1~Key8	Input	Touch key input pin, unused touch keys require grounding
OMS	Input	Output mode selection Open=2-wire serial mode Grounded=4-wire binary parallel mode
LSC	Input	Power-saving mode selection Open=General power-saving mode Grounded=More power-saving mode
Clock	Input	2-wire series interface Clock input – internal pull-high
Data	NMOS output	Serial interface Data NMOS output – internal pull-high
BIN3~BIN0	CMOS output	Binary output mode
VSS	—	Negative power supply, ground
VDD	—	Positive power supply

BS818C-3

Pin Name	I/O	Description
Key1~Key8	Input	Touch key input pin, unused touch keys require grounding
IRQ	output	Interrupt request or wake-up function, NMOS output with internal pull-high
SCL	Input / Output	I ² C clock input/output
SDA	Input / Output	I ² C data input/output
VSS	—	Negative power supply, ground
VDD	—	Positive power supply
NC	—	Not Connected

BS8112C-3 (16-pin NSOP)

Pin Name	I/O	Description
Key1~Key11	Input	Touch key input pin, unused touch keys require grounding
Key12/IRQ	Input	Touch key input pin, unused touch keys require grounding
	Output	Interrupt request or wake-up function, NMOS output with internal pull-high
SCL	Input / Output	I ² C clock input / output
SDA	Input / Output	I ² C data input / output
VSS	—	Negative power supply, ground
VDD	—	Positive power supply

BS8112C-3 (20-pin SSOP)

Pin Name	I/O	Description
Key1~Key12	Input	Touch key input pin, unused touch keys require grounding
IRQ	Output	Interrupt request or wake-up function, NMOS output with internal pull-high
SCL	Input / Output	I ² C clock input/output
SDA	Input / Output	I ² C data input/output
VSS	—	Negative power supply, ground
VDD	—	Positive power supply
NC	—	Not Connected

BS8116C-3 (20-pin SSOP)

Pin Name	I/O	Description
Key1~Key15	Input	Touch key input pin, unused touch keys require grounding
Key16/IRQ	Input	Touch key input pin, unused touch keys require grounding
	Output	Interrupt request or wake-up function, NMOS output with internal pull-high
SCL	Input / Output	I ² C clock input / output
SDA	Input / Output	I ² C data input / output
VSS	—	Negative power supply, ground
VDD	—	Positive power supply

BS8116C-3 (24-pin SSOP)

Pin Name	I/O	Description
Key1~Key16	Input	Touch key input pin, unused touch keys require grounding
IRQ	Output	Interrupt request or wake-up function, NMOS output with internal pull-high
SCL	Input / Output	I ² C clock input/output
SDA	Input / Output	I ² C data input/output
VSS	—	Negative power supply, ground
VDD	—	Positive power supply
NC	—	Not Connected

Absolute Maximum Ratings

Supply Voltage	$V_{SS} -0.3V$ to $V_{SS} +6.5V$	Storage Temperature	$-50^{\circ}C$ to $125^{\circ}C$
Input Voltage	$V_{SS} -0.3V$ to $V_{DD} +0.3V$	Operating Temperature	$-40^{\circ}C$ to $85^{\circ}C$
I_{OL} Total	80mA	Total Power Dissipation	500mW
I_{OH} Total	-80mA		

Note: These are stress ratings only. Stresses exceeding the range specified under “Absolute Maximum Ratings” may cause substantial damage to the device. Functional operation of this device at other conditions beyond those listed in the specification is not implied and prolonged exposure to extreme conditions may affect device reliability.

D.C. Characteristics

$T_a=25^{\circ}C$

Symbol	Parameter	Test Conditions		Min.	Typ.	Max.	Unit	
		V_{DD}	Conditions					
V_{DD}	Operating Voltage	—	—	2.2	—	5.5	V	
I_{DD}	Operating Current (BS811C-1/BS812C-1)	3V	No load	—	0.6	0.9	mA	
		5V		—	1.2	1.8	mA	
	Operating Current (BS813C-1/BS814C-1/ BS814C-2/BS816C-1/BS818C-2/BS818C-3/ BS8112C-3/BS8116C-3)	3V	No load	—	1.2	1.8	mA	
		5V		—	2.2	3.3	mA	
I_{STB}	Standby Current (BS811C-1) (Note 1)	3V	No load	—	2.5	—	μA	
		5V		—	6.0	—	μA	
	Standby Current (BS812C-1) (Note 1)	3V	No load	—	3.5	—	μA	
		5V		—	6.0	—	μA	
	Standby Current (BS813C-1) (Note 1)	3V	No load	—	4.0	—	μA	
		5V		—	8.0	—	μA	
	Standby Current (BS814C-1/BS814C-2) (Note 1)	3V	No load	—	5.0	—	μA	
		5V		—	9.5	—	μA	
	Standby Current (BS816C-1) (Note 1) LSC= V_{SS} (Note 2)	3V	No load	—	3.5	—	μA	
		5V		—	5.5	—	μA	
	Standby Current (BS818C-2) (Note 1) LSC= V_{SS} (Note 2)	3V	No load	—	3.5	—	μA	
		5V		—	6.0	—	μA	
	Standby Current (BS816C-1) (Note 1) LSC=Open (Note 2)	3V	No load	—	7.5	—	μA	
		5V		—	15	—	μA	
	Standby Current (BS818C-2) (Note 1) LSC=Open (Note 2)	3V	No load	—	8.5	—	μA	
		5V		—	16	—	μA	
	Standby Current (BS818C-3) (Note 1) LSC enable (Note 3)	One key wake up	3V	No load	—	2.5	—	μA
			5V		—	3.0	—	μA
		Any key wake up	3V		—	3.5	—	μA
			5V		—	6.0	—	μA
Standby Current (BS818C-3) (Note 1) LSC disable (Note 3)	One key wake up	3V	No load	—	3.5	—	μA	
		5V		—	5.5	—	μA	
	Any key wake up	3V		—	8.0	—	μA	
		5V		—	16	—	μA	
Standby Current (BS8112C-3) (Note 1) LSC enable (Note 3)	One key wake up	3V	No load	—	2.5	—	μA	
		5V		—	3.5	—	μA	
	Any key wake up	3V		—	4.5	—	μA	
		5V		—	8.0	—	μA	

Symbol	Parameter		Test Conditions		Min.	Typ.	Max.	Unit	
			V _{DD}	Conditions					
I _{STB}	Standby Current (BS8112C-3) (Note 1) LSC disable (Note 3)	One key wake up	3V	No load	—	4.0	—	μA	
			5V		—	6.5	—	μA	
		Any key wake up	3V		—	12	—	μA	
			5V		—	24	—	μA	
	Standby Current (BS8116C-3) (Note 1) LSC Enable (Note 3)	One key wake up	3V		No load	—	2.5	—	μA
			5V			—	4.0	—	μA
		Any key wake up	3V			—	5.5	—	μA
			5V			—	11	—	μA
	Standby Current (BS8116C-3) (Note 1) LSC Disable (Note 3)	One key wake up	3V	No load		—	4.0	—	μA
			5V			—	7.0	—	μA
		Any key wake up	3V			—	16	—	μA
			5V			—	32	—	μA
V _{IL}	Input Low Voltage for Clock, SCL or SDA pin	5V	—		0	—	1.5	V	
		—	—		0	—	0.2V _{DD}	V	
V _{IH}	Input High Voltage for Clock, SCL or SDA pin	5V	—		3.5	—	5.0	V	
		—	—		0.8V _{DD}	—	V _{DD}	V	
I _{OL}	Kout Sink Current (CMOS) Data/SDA/SCL Sink Current (NMOS)	3V	V _{OL} =0.1V _{DD}	15	30	—	mA		
		5V		30	60	—	mA		
I _{OH}	Kout Source Current (CMOS)	3V	V _{OH} =0.9V _{DD}	-4	-8	—	mA		
		5V		-8	-16	—	mA		
R _{PH}	Pull-high Resistance to Clock/Kout /SDA/SCL/ IRQ Pin	3V	—	20	60	100	kΩ		
		5V	—	10	30	50	kΩ		

- Note: 1. I_{STB} is the average standby current
 2. Refer to the OMS/LSC Option table
 3. Refer to the I²C Option table

A.C. Characteristics

T_a=25°C

Symbol	Parameter		Test Conditions		Min.	Typ.	Max.	Unit
			V _{DD}	Conditions				
t _{KRT}	Key Response Time – Normal Mode		—	—	100	125	150	ms
	Key Response Time – Standby Mode BS811C-1/BS812C-1/BS813C-1/ BS814C-1/BS814C-2		—	—	100	150	250	ms
	Key Response Time – Standby Mode BS816C-1/BS818C-2	LSC=Open (disable)	—	—	100	150	250	ms
		LSC=V _{SS} (enable)	—	—	400	600	1000	ms
	Key Response Time – Standby Mode BS818C-3/BS8112C-3/BS8116C-3	LSC disable / IRQ enable	—	—	100	150	250	ms
		LSC enable / IRQ enable	—	—	400	600	1000	ms
t _{KH}	Maximum Key Hold Time		—	—	60	64	68	s
t _{CAL}	Auto-Calibration Period – Normal Mode		—	—	—	1	—	s
	Auto-Calibration Period – Standby Mode		—	—	—	2	—	s
t _{NS}	Normal to Standby Mode Conversion Time (Except BS818C-3/BS8112C-3/BS8116C-3)		—	—	7	8	9	s

Serial Interface Characteristics

BS814C-2/BS818C-2

Ta=25°C

Symbol	Parameter	Test Conditions		Min.	Typ.	Max.	Unit
		V _{DD}	Conditions				
T _{START}	Start bit low time	—	—	—	—	t _{NS}	s
T _{LOW}	Clock low time	—	—	20	—	—	μs
T _{HIGH}	Clock high time	—	—	20	—	—	μs
T _{BR}	Data transfer rate	—	—	—	—	25	Kbps
T _{ED}	Delay time between a error reading and the next reading	—	—	6	—	—	ms

I²C Interface Characteristics

BS818C-3/BS8112C-3/BS8116C-3

Ta=25°C

Symbol	Parameter	Test Conditions		Min.	Typ.	Max.	Unit
		V _{DD}	Conditions				
T _{LOW}	Clock low time	—	—	5	—	—	μs
T _{HIGH}	Clock high time	—	—	5	—	—	μs
T _{BR}	Data transfer rate	—	—	—	—	100	Kbps
T _{TO}	Time-Out Period	—	—	—	64	—	ms
T _{WRL}	Register Write/Read Operation Time Limitation	—	—	—	—	6	s

Flash Memory Characteristics

Ta=25°C, unless otherwise specified.

Symbol	Parameter	Test Conditions		Min.	Typ.	Max.	Unit
		V _{DD}	Conditions				
t _{DEW}	Erase/Write Time – Flash Memory	—	—	—	2	3	ms
E _P	Cell Endurance – Flash Memory	—	—	10K	—	—	E/W

Functional Description

Introduction

This range of BS81x touch key devices offer an easy and reliable means of implementing touch switch functions in a wide range of applications which require 1~16 touch keys. Very few external components are required for full touch key implementations. In addition to simple parallel output, a two-wire serial interface offer a convenient communication with an external MCU.

Sensitivity adjustment is also an easy matter. By the simple connection of a small capacitor to the touch key input pin, the changes in the capacitor value will be reflected in different sensitivity values. By having a fully integrated adaptive voltage drop function, touch switch applications can save on the usually required LDO.

Option Table

OMS/LSC Option Table

The BS816C-1 and BS818C-2 provide two options to enhance application flexibility.

- **OMS Option**

	OMS – Output Mode Selection	Description
BS816C-1	Open	NMOS output with internal pull-high, low active
	Vss	CMOS output, high active
BS818C-2	Open	2-wire serial mode
	Vss	4-wire Binary parallel mode

- **LSC Option**

	LSC – Lower Standby Current	Description
BS816C-1	Open	General power-saving
BS818C-2	Vss	More power-saving (wake-up time of 0.5~1s)

I²C Option Table

BS818C-3, BS8112C-3 and BS8116C-3 provide options can be setup by I²C communication interface.

- **IRQ_OMS / STANDBY MODE Option**

Address	bit7	bit6	bit5	bit4	bit3	bit2	bit1	bit0	R/W
0B0H	—					STANDBY MODE	IRQ_OMS	R/W	

Name	Default	Function
IRQ_OMS	0	0: Level hold, low active 1: One-shot, low active
STANDBY MODE	0	0: Power-saving function 1: Not enter power-saving function

- **TOUCH_FREQ/SENSITIVE Option**

Address	bit7	bit6	bit5	bit4	bit3	bit2	bit1	bit0	R/W
0B3H	1	1	1	1	0	TOUCH_FREQ	SENSITIVE	R/W	

Name	Default	Function
TOUCH_FREQ	00	00: Touch frequency set 1 01: Touch frequency set 2 10: Touch frequency set 3 11: Can't be used
SENSITIVE	1	0: low sensitive 1: high sensitive

• **LSC Option**

Address	bit7	bit6	bit5	bit4	bit3	bit2	bit1	bit0	R/W
0B4H	1	LSC	0	1	1	0	0	0	R/W

Name	Default	Function
LSC	1	0: General power-saving 1: More power-saving (wake-up time of 0.5~1s)

• **Touch Key Wake-up Option**

Part No.	Address	Name	bit7	bit6	bit5	bit4	bit3	bit2	bit1	bit0	R/W
BS818C-3	0B5H~0BCH	Kn_TH	KnWU	0	Key n Trigger threshold value						R/W
BS8112C-3	0B5H~0C0H										
BS8116C-3	0B5H~0C4H										

Name	Default	Function
KnWU	0	0: Enable wake-up function 1: Disable wake-up function

• **Standby Time Control Option**

Address	bit7	bit6	bit5	bit4	bit3	bit2	bit1	bit0	R/W
E0H	0	Standby time value							R/W

Name	Default	Function
Standby Time Control	127	0~7: Can't be used 8: 512ms 9: 576ms 10: 640ms ⋮ 127: 8128ms

- Note: 1. When the working time reaches the default value will enter the standby mode automatically.
2. Normal to Standby Mode Conversion Time (Typ.) = 64ms × standby time value.

Operating Mode

There are two operating modes for this device series, the normal mode and the standby mode. During the 8 seconds after power-on, if no touch key actions are detected, the devices will automatically enter the standby mode to reduce their power consumption. If a key or keys are pressed, the device will be woken up and will then enter the normal mode and output the key state value until all keys are released. After 8 seconds, the system will then revert to the standby mode again. Note that the BS818C-3, BS8112C-3 and BS8116C-3 devices can set up the wake-up keys individually.

Touch Key Outputs

For the BS811C-1, BS812C-1, BS813C-1 and BS814C-1 devices, all output pins are NMOS structures with connected internal pull-high resistors without requiring external resistors. The non touch detect output logic level is high. When a touch action is detected, the corresponding output will change to a low state.

For the BS816C-1 device, except the NMOS output type, users can also select a CMOS output type. The non touch detect output logic level is low. When a touch action is detected, the corresponding output will change to a high state.

Serial Interface

The BS814C-2 and BS818C-2 are equipped with a serial interface allowing for easy interfacing to an external master MCU. When the device detects that a touch key has been pressed, it will output a low on the Data pin which can be used to wake up the master MCU. After receiving this low level, the master can then send a clock signal to the Clock pin and read back the key status from the Data pin.

When a low clock signal is received the key status data is prepared by the touch key device. When the clock signal changes to a high level, the master reads the touch key status data from the Data line. The timings associated with the communication protocol can be fully described within 8 clock periods. Without

waiting for a start bit, the touch key status condition can also be directly read using a polling method. If there are any errors in reading the data, it is necessary to wait for about 6ms and then read the data again.

4-key Data Format

After a clock signal is received on the Clock pin, an 8-bit data byte will be generated by the touch key device and shifted out on the Data pin. Data bits, bit6~bit4, will also generate a checksum whose content informs how many touch keys have been touched. For example, if the checksum is equal to “010”, it means that two keys have been touched. As to which keys are actually touched, this information can be retrieved from the condition of data bits, bit3~bit0. The state of the data bits, bit3~bit0, is used to indicate which touch keys, key4~key1, are touched

or not respectively. A low bit means the corresponding key is touched. Otherwise, the key is not touched if the corresponding data condition is high.

Start bit: When a key changes state, the Data pin outputs a low, which can wake up the master, which can then read the key status.

Bit0: Key1 state - “0”= touch, “1”= no touch

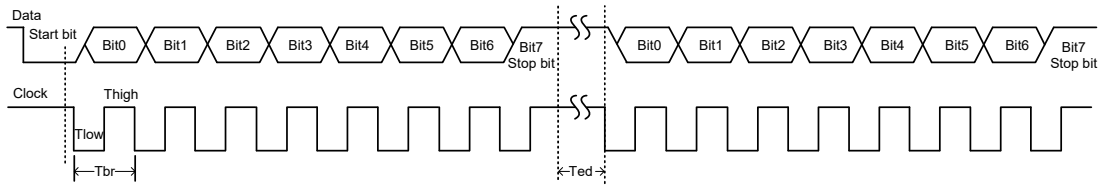
Bit1: Key2 state - “0”= touch, “1”= no touch

Bit2: Key3 state - “0”= touch, “1”= no touch

Bit3: Key4 state - “0”= touch, “1”= no touch

Bit6~4: Checksum – the total number of “0”s is used to indicate how many keys have been touched.

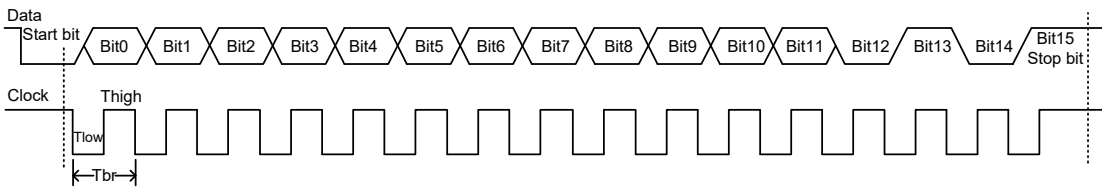
Bit7: Stop bit, always a “1”, high level.



Data Transfer Timing – BS814C-2

Bit	7	6~4	3~0	Descriptions
Function	Stop bit	Check Sum	Key4 ~ Key1 state	0: touched / 1: not touched
Data Stream	1	100	0000	Check Sum = 100, Four keys are touched
		011	0001, 0010, 0100 or 1000	Check Sum = 011, Three keys are touched
		010	0011, 0101, 0110, 1001, 1010 or 1100	Check Sum = 010, Two keys are touched
		001	0111, 1011, 1101 or 1110	Check Sum = 001, One key is touched
		000	1111	Check Sum = 000, No key is touched

4-key Serial Data Stream Format



Data Transfer Timing – BS818C-2

8-key Data Format

After a clock signal is received on the Clock pin, a 16-bit data byte will be generated by the touch key device and shifted out on the Data pin. Data bits, bit11~bit8, will also generate a checksum whose content informs how many touch keys have been touched. For example, if the check sum is equal to “0010”, it means that two keys have been touched. As to which keys are actually touched, this information can be retrieved from the condition of data bits, bit7~bit0. The state of the data bits, bit7~bit0, is used to indicate which touch keys, key8~key1, are touched or not respectively. A low bit means the corresponding key is touched. Otherwise, the key is not touched if the corresponding data condition is high.

Start bit: When a key state is changed, Data pin outputs a low, which can wake up the master, which can then read the key status.

Bit0: Key1 state – “0” = touch, “1” = no touch

Bit1: Key2 state – “0” = touch, “1” = no touch

Bit2: Key3 state – “0” = touch, “1” = no touch

Bit3: Key4 state – “0” = touch, “1” = no touch

Bit4: Key5 state – “0” = touch, “1” = no touch

Bit5: Key6 state – “0” = touch, “1” = no touch

Bit6: Key7 state – “0” = touch, “1” = no touch

Bit7: Key8 state – “0” = touch, “1” = no touch

Bit11~8: Checksum – the total number of “0”s is used to indicate how many keys have been touched.

Bit15~12: Stop bits, always “1010B”.

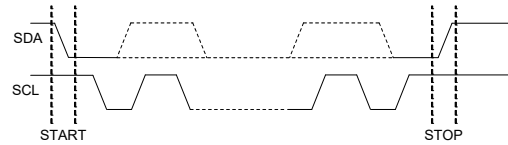
Parallel Interface

The BS818C-2 also provides a parallel interface function which shows directly the key state condition. When the parallel output type is selected, the touch key data reflects only one key state, not more keys, at the same time. When no touch key is pressed, BIN3~BIN0 are high. When any key is pressed, BIN3 must output a low to wake up the master while BIN2~BIN0 reflect which keys are pressed as shown in the following table.

Pressed Key	BIN3	BIN2	BIN1	BIN0
No key	1 (high)	1	1	1
Key1	0 (low)	1	1	1
Key2	0	1	1	0
Key3	0	1	0	1
Key4	0	1	0	0
Key5	0	0	1	1
Key6	0	0	1	0
Key7	0	0	0	1
Key8	0	0	0	0

I²C Interface

START and STOP Conditions

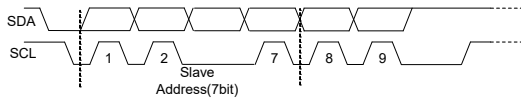


Bit	15~12	11~8	7~0	Descriptions
Function	Stop bit	Check Sum	Key8~Key1 state	0: touch / 1: not touched
Data Stream	1010	1000	00000000	Check Sum = 1000, 8 keys are touched.
		0111	00000001, 00000010, 00000100, 00001000, 00010000, 00100000, 01000000 or 10000000	Check Sum = 0111, 7 keys are touched.
		0110	00000011, 00000110, 00011000, 00110000, 11000000 or 10000001.....	Check Sum = 0110, 6 keys are touched.
		0101	00000111, 00001110, 11100000, 10000011, 10000110, 10001100 or 10011000...	Check Sum = 0101, 5 keys are touched.
		0100	00001111, 00011110, 00111100, 01111000, 11110000 or 10000111.....	Check Sum = 0100, 4 keys are touched.
		0011	00011111, 00111110, 01111100, 11111000 100011111 or 110001111.....	Check Sum = 0011, 3 keys are touched.
		0010	00111111, 01111110, 11111100, 01111110, 01111101 or 01111011.....	Check Sum = 0010, 2 keys are touched.
		0001	11111110, 11111101, 11111011, 11110111 11101111, 11011111, 10111111 or 01111111	Check Sum = 0001, 1 key is touched.
		0000	11111111	11111111

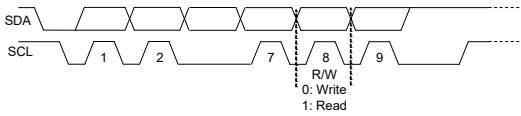
Serial Data Stream Format for 8-key

Slave Address

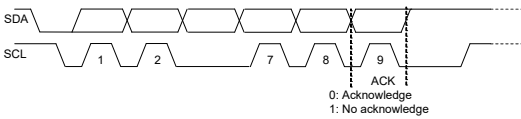
After the START signal, a 7-bit slave address will be transmitted. “The slave address is 0x50. (slave address + R/W = 0xA1 or 0xA0)



Read or Write Control

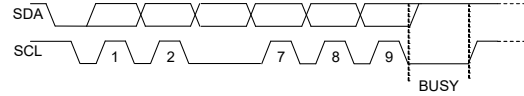


Acknowledge



Slave Busy

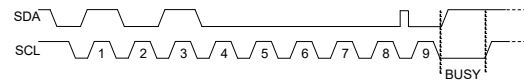
After a date byte (8bit+ACK) is transmitted, the slave device is busy with processing the received data (slave busy) and cannot receive the next data byte. At this time the SCL line is pulled down and the master can continue to transmit the data until the SCL line is pulled high again.



• Read

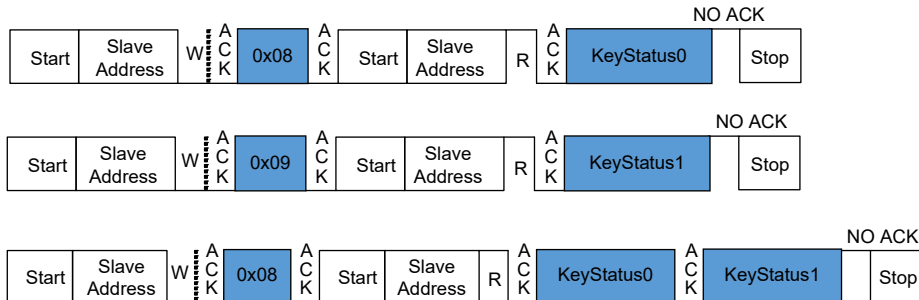


• Write



Read Touch-key Status Data Register

Read the touch key status data structure of the BS818C-3, BS8112C-3 or BS8116C-3.



BS818C-3, BS8112C-3 and BS8116C-3 Touch-key Status Data Registers

Address	Name	bit7	bit6	bit5	bit4	bit3	bit2	bit1	bit0	R/W
08H	KeyStatus0	Key8	Key7	Key6	Key5	Key4	Key3	Key2	Key1	R
09H	KeyStatus1	Key16 (Note)	Key15 (Note)	Key14 (Note)	Key13 (Note)	Key12	Key11	Key10	Key9	R

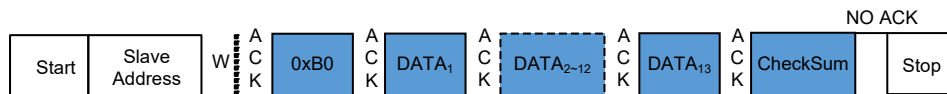
Note: Key16~Key13 are only for the BS8116C-3 device.

0=no touch, 1=touch

BS818C-3 Write Setting Register

When the master writes the setting byte to the BS818C-3, it writes 14 data bytes consecutively with the start byte of 0xB0 and the last byte of the checksum.

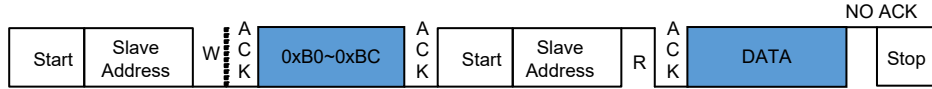
CheckSum (8-bit): DATA1 + DATA2 + ... + DATA13



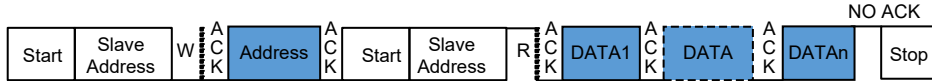
When the setting is changed, the Touch Key module will be reset. For about 0.8s later the Touch Key module can normally operate after reset.

BS818C-3 Read Setting Register

The master read a setting byte of the BS818C-3.



The master read n setting bytes of the BS818C-3.



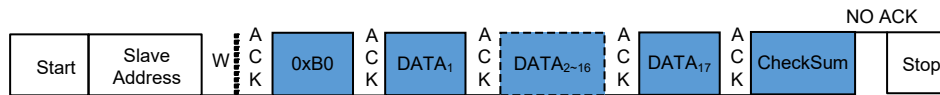
• BS818C-3 Touch-key Setting Registers

Address	Name	bit7	bit6	bit5	bit4	bit3	bit2	bit1	bit0	R/W	
B0H	Option1	—						STANDBY MODE	IRQ_OMS		R/W
B1H	Reserve	—									R/W
B2H	Reserve	0x83									R/W
B3H	Option2	1	1	1	1	0	TOUCH FREQ		SENSITIVE	R/W	
B4H	Option3	1	LSC	0	1	1	0	0	0	R/W	
B5H	K1_TH	K1WU	0	Key1 Trigger threshold value							R/W
B6H	K2_TH	K2WU	0	Key2 Trigger threshold value							R/W
B7H	K3_TH	K3WU	0	Key3 Trigger threshold value							R/W
B8H	K4_TH	K4WU	0	Key4 Trigger threshold value							R/W
B9H	K5_TH	K5WU	0	Key5 Trigger threshold value							R/W
BAH	K6_TH	K6WU	0	Key6 Trigger threshold value							R/W
BBH	K7_TH	K7WU	0	Key7 Trigger threshold value							R/W
BCH	K8_TH	K8WU	0	Key8 Trigger threshold value							R/W
BDH	Check sum	Check sum									R/W
E0H	Standby time control	0	Standby time value								R/W

BS8112C-3 Write Setting Register

When the master will write the setting byte to the BS8112C-3, it writes 18 data bytes consecutively with the start byte of 0xB0 and the last byte of the checksum.

Checksum (8-bit): DATA1 + DATA2 + ... + DATA17



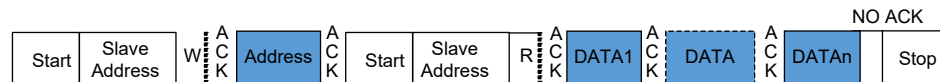
When the setting is changed, the Touch Key module will be reset. For about 0.8s later the Touch Key module can normally operate after reset.

BS8112C-3 Read Setting Register

The master read a setting byte of the BS8112C-3.



The master read n setting bytes of the BS8112C-3.



BS8112C-3 Touch-key Setting Registers

Address	Name	bit7	bit6	bit5	bit4	bit3	bit2	bit1	bit0	R/W	
B0H	Option1	—						STANDBY MODE	IRQ_OMS		R/W
B1H	Reserve	—									R/W
B2H	Reserve	0x83									R/W
B3H	Option2	1	1	1	1	0	TOUCH FREQ		SENSITIVE	R/W	
B4H	Option3	1	LSC	0	1	1	0	0	0	R/W	
B5H	K1_TH	K1WU	0	Key1 Trigger threshold value							R/W
B6H	K2_TH	K2WU	0	Key2 Trigger threshold value							R/W
B7H	K3_TH	K3WU	0	Key3 Trigger threshold value							R/W
B8H	K4_TH	K4WU	0	Key4 Trigger threshold value							R/W
B9H	K5_TH	K5WU	0	Key5 Trigger threshold value							R/W
BAH	K6_TH	K6WU	0	Key6 Trigger threshold value							R/W
BBH	K7_TH	K7WU	0	Key7 Trigger threshold value							R/W
BCH	K8_TH	K8WU	0	Key8 Trigger threshold value							R/W
BDH	K9_TH	K9WU	0	Key9 Trigger threshold value							R/W
BEH	K10_TH	K10WU	0	Key10 Trigger threshold value							R/W
BFH	K11_TH	K11WU	0	Key11 Trigger threshold value							R/W
C0H	K12_TH	K12WU	Mode	Key12 Trigger threshold value							R/W
C1H	Check sum	Check sum								R/W	
E0H	Standby time control	0	Standby time value								R/W

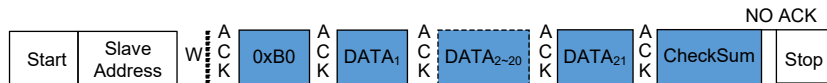
BS8112C-3 Key12/IRQ Function Selection (Only 16-pin NSOP)

Key12 Mode(bit6 of K12_TH)	Function
0	Key12
1	IRQ (Default)

BS8116C-3 Write Setting Register

When the master will write the setting byte to the BS8116C-3, it writes 22 data bytes consecutively with the start byte of 0xB0 and the last byte of the checksum.

Checksum (8-bit): DATA1 + DATA2 + ... + DATA21



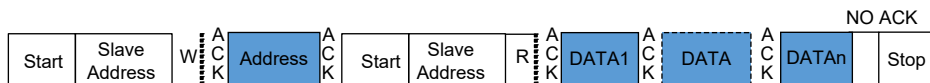
When the setting is changed, the Touch Key module will be reset. For about 0.8s later the Touch Key module can normally operate after reset.

BS8116C-3 Read Setting Register

The master read a setting byte of the BS8116C-3.



The master read n setting bytes of the BS8116C-3.



BS8116C-3 Touch-key Sensitivity Setting Register

Address	Name	bit7	bit6	bit5	bit4	bit3	bit2	bit1	bit0	R/W
B0H	Option1	—						STANDBY MODE	IRQ_OMS	R/W
B1H	Reserve	—								R/W
B2H	Reserve	0x83								R/W
B3H	Option2	1	1	1	1	0	TOUCH FREQ		SENSITIVE	R/W
B4H	Option3	1	LSC	0	1	1	0	0	0	R/W
B5H	K1_TH	K1WU	0	Key1 Trigger threshold value						R/W
B6H	K2_TH	K2WU	0	Key2 Trigger threshold value						R/W
B7H	K3_TH	K3WU	0	Key3 Trigger threshold value						R/W
B8H	K4_TH	K4WU	0	Key4 Trigger threshold value						R/W
B9H	K5_TH	K5WU	0	Key5 Trigger threshold value						R/W
BAH	K6_TH	K6WU	0	Key6 Trigger threshold value						R/W
BBH	K7_TH	K7WU	0	Key7 Trigger threshold value						R/W
BCH	K8_TH	K8WU	0	Key8 Trigger threshold value						R/W
BDH	K9_TH	K9WU	0	Key9 Trigger threshold value						R/W
BEH	K10_TH	K10WU	0	Key10 Trigger threshold value						R/W
BFH	K11_TH	K11WU	0	Key11 Trigger threshold value						R/W
C0H	K12_TH	K12WU	0	Key12 Trigger threshold value						R/W
C1H	K13_TH	K13WU	0	Key13 Trigger threshold value						R/W
C2H	K14_TH	K14WU	0	Key14 Trigger threshold value						R/W
C3H	K15_TH	K15WU	0	Key15 Trigger threshold value						R/W
C4H	K16_TH	K16WU	Mode	Key16 Trigger threshold value						R/W
C5H	Check sum	Check sum								R/W
E0H	Standby time control	0	Standby time value							R/W

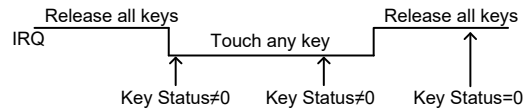
• **BS8116C-3 Key16/IRQ Function Selection (Only 20-pin SSOP)**

Key16 Mode(bit6 of K16_TH)	Function
0	Key16
1	IRQ (Default)

IRQ Function

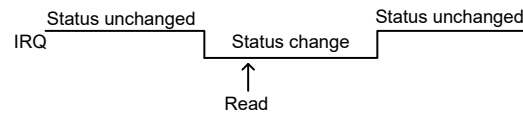
Output mode: IRQ_OMS = 0 (Level hold, low active)

The master reads the key data when the IRQ is low and will stop reading data until the key data is 0.



Output mode: IRQ_OMS = 1 (One-shot, low active)

When the key status changes, send one-shot signal.



When the IRQ function is disabled, the Key12 of the BS8112C-3 or the Key16 of BS8116C-3 is used as the touch key. When the master read “KeyStatus=0x00”, which means all the keys is released, the master can reduce the reading speed and make the power consumption lower, the corresponding, the key response speed will also slow down.

Maximum Key On Duration Time

To minimise the possibility of unintentional switch detections, such as undesired objects covering the sensing electrodes, the devices include a Maximum Key On duration time function. To implement this function the devices include an internal timer, which starts running after each switch detection. If the key on time of a touch key exceeds a value of about 64 seconds, then the device will re-calibrate the key state, obtain a new reference value, while the output status is reset to the initial state.

Auto-calibration Function

The devices include a full auto-calibration function which will be initiated after the device is powered-on. In addition to the power-on calibration, if no switch detection has been made for about more than 1 second in the normal mode or 32 seconds in the standby mode, then a further calibration procedure will be carried out. By implementing this feature, changes in the touch key environmental conditions are automatically catered for dynamically.

Adaptive Voltage Drop

This series of touch key devices include an adaptive voltage drop function which prevent touch key malfunction due to power supply voltage variations which may be caused by high current switching. With the adaptive voltage drop function, there is no need for an external LDO to deal with these voltage drop issues.

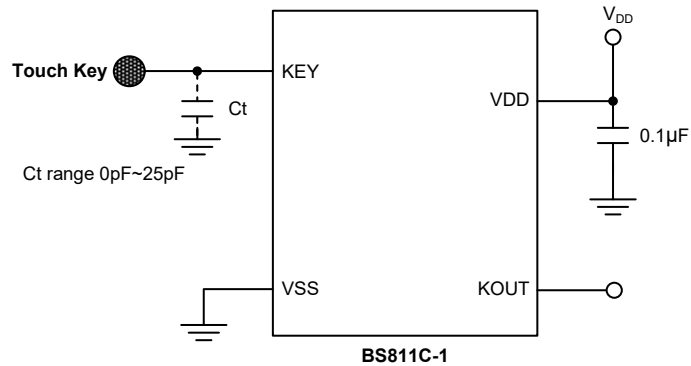
Sensitivity Adjustment

The sensitivity of the switch is a very important consideration in most applications whose requirements will vary according to the user application. The user should therefore be aware of the methods which can adjust the sensitivity of their touch key application. Changing the PCB electrode size, the conductive layout area below the electrode and the thickness of the dielectric material panel can all be used to adjust the touch switch sensitivity. Additionally for the BS81x device series, except the BS818C-3, BS8112C-3 and BS8116C-3 devices, an external capacitor connected to the touch key input pin can also be used to adjust the sensitivity for different applications. While for the BS818C-3, BS8112C-3 and BS8116C-3 devices, changing related settings through the I²C can be used to adjust the sensitivity for different demands.

The touch threshold adjustment range is from 8~63.

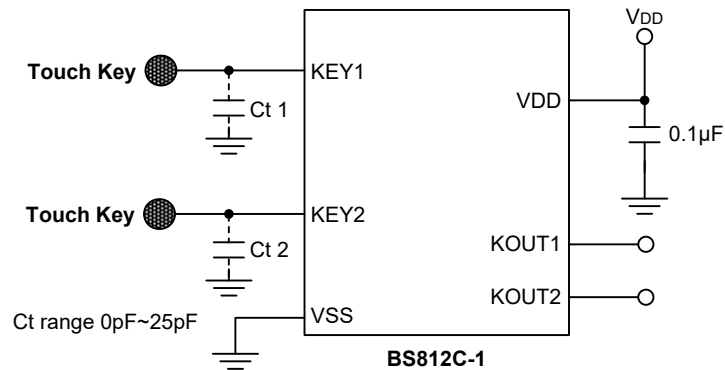
Application Circuits

BS811C-1



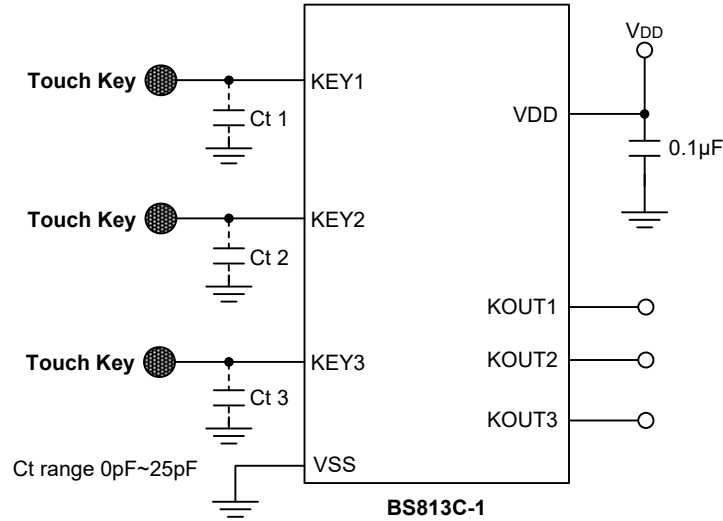
- Note: 1. Ct (C threshold) is used for adjustment of Trigger Threshold. Recommended value: 0~25 pF
 2. Ct value can be changed to obtain different sensitivity values. Higher Ct values will result in lower sensitivity levels. (0pF = no Ct)

BS812C-1



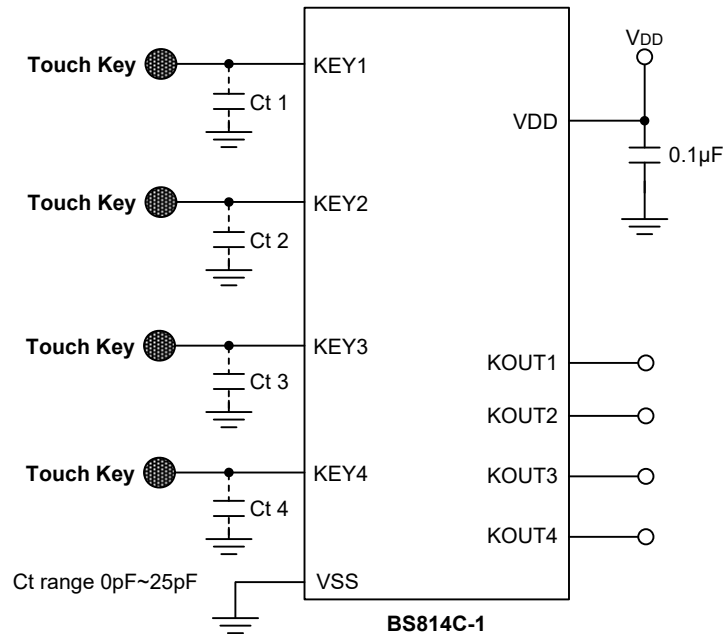
- Note: 1. Ct (C threshold) is used for adjustment of Trigger Threshold. Recommended value: 0~25 pF
 2. Ct value can be changed to obtain different sensitivity values. Higher Ct values will result in lower sensitivity levels. (0pF = no Ct)

BS813C-1



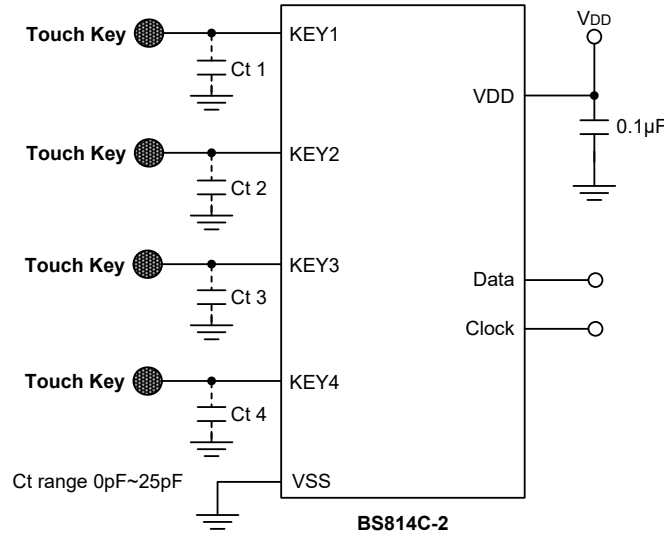
Note: 1. Ct (C threshold) is used for adjustment of Trigger Threshold. Recommended value: 0~25 pF
 2. Ct value can be changed to obtain different sensitivity values. Higher Ct values will result in lower sensitivity levels. (0pF = no Ct)

BS814C-1



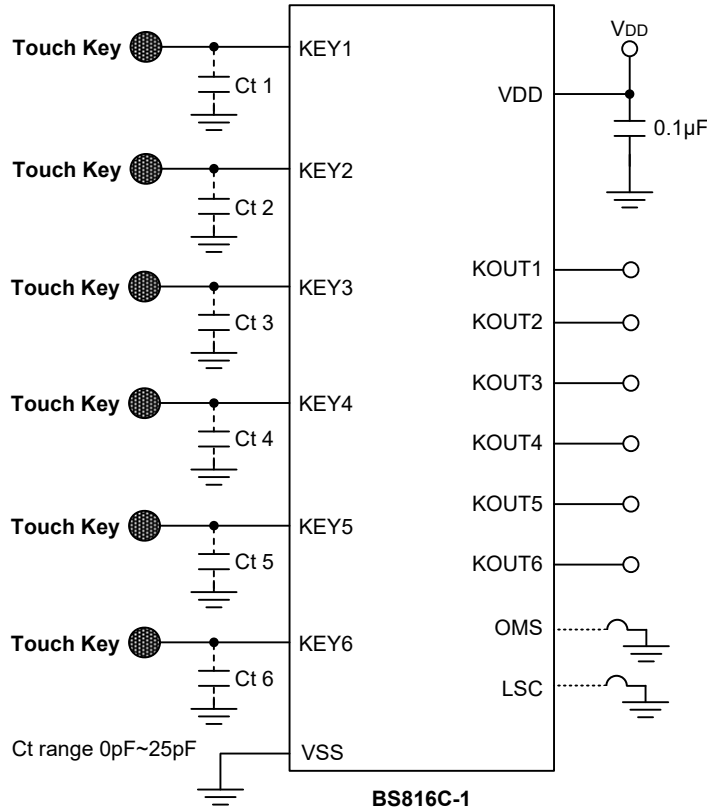
Note: 1. Ct (C threshold) is used for adjustment of Trigger Threshold. Recommended value: 0~25 pF
 2. Ct value can be changed to obtain different sensitivity values. Higher Ct values will result in lower sensitivity levels. (0pF = no Ct)

BS814C-2



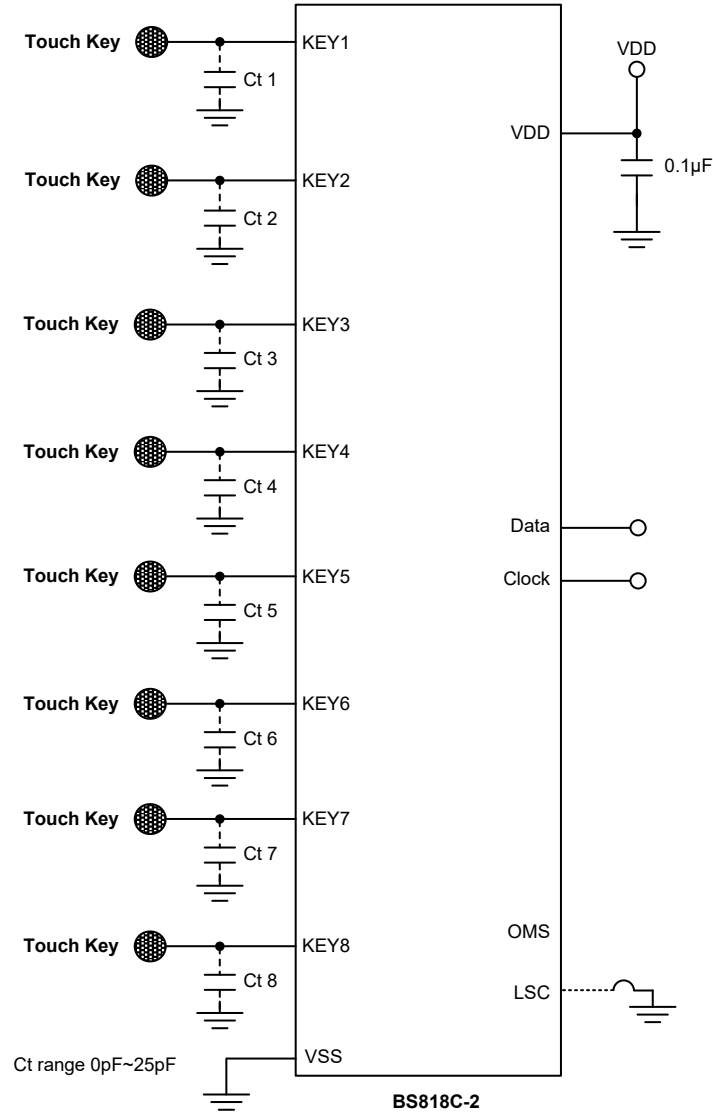
Note: 1. Ct (C threshold) is used for adjustment of Trigger Threshold. Recommended value: 0~25 pF
 2. Ct value can be changed to obtain different sensitivity values. Higher Ct values will result in lower sensitivity levels. (0pF = no Ct)

BS816C-1



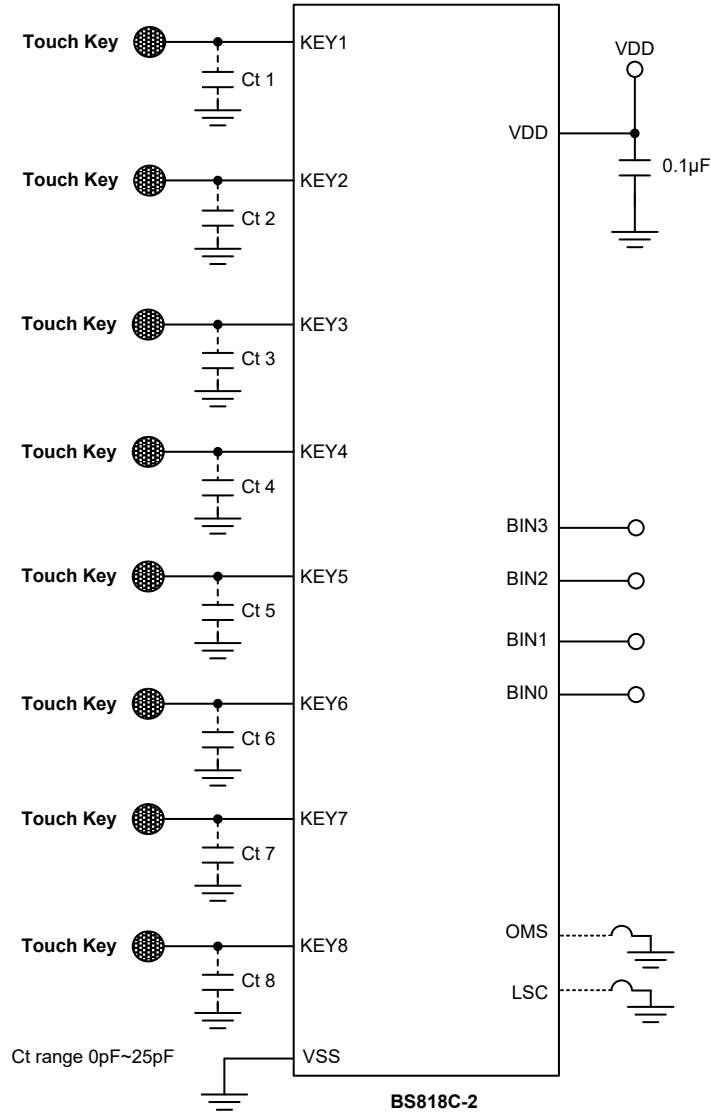
Note: 1. Ct (C threshold) is used for adjustment of Trigger Threshold. Recommended value: 0~25 pF
 2. Ct value can be changed to obtain different sensitivity values. Higher Ct values will result in lower sensitivity levels. (0pF = no Ct)

BS818C-2



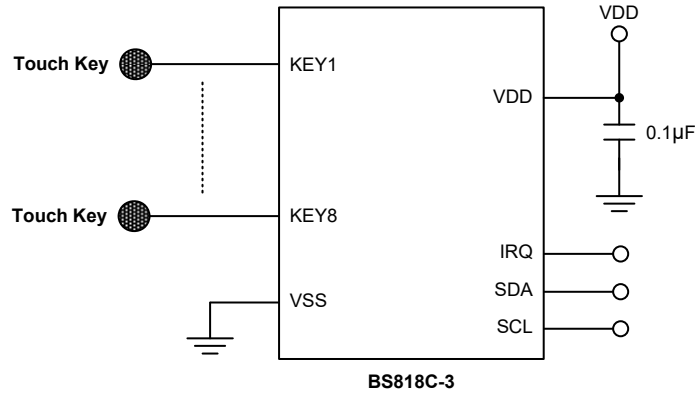
Note: 1. Ct (C threshold) is used for adjustment of Trigger Threshold. Recommended value: 0~25 pF
2. Ct value can be changed to obtain different sensitivity values. Higher Ct values will result in lower sensitivity levels. (0pF = no Ct)

BS818C-2 – Parallel Interface Mode

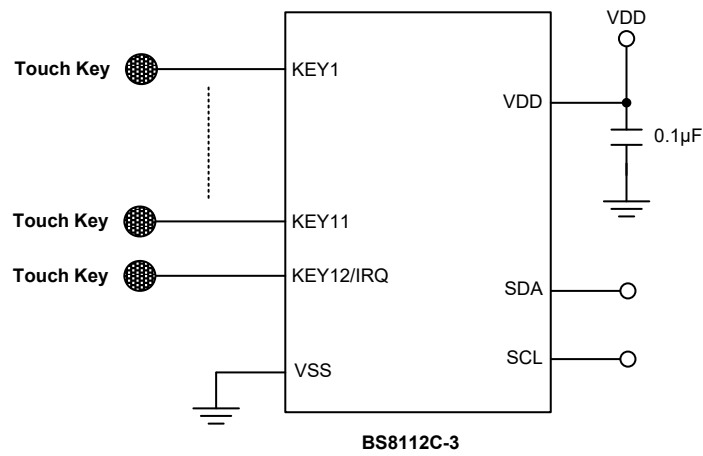


Note: 1. Ct (C threshold) is used for adjustment of Trigger Threshold. Recommended value: 0~25 pF
 2. Ct value can be changed to obtain different sensitivity values. Higher Ct values will result in lower sensitivity levels. (0pF = no Ct)

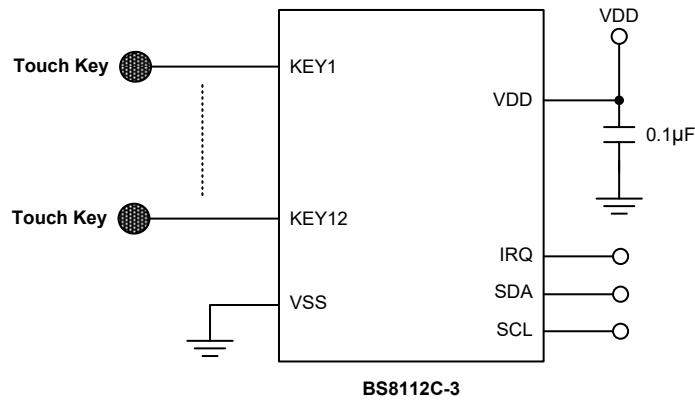
BS818C-3



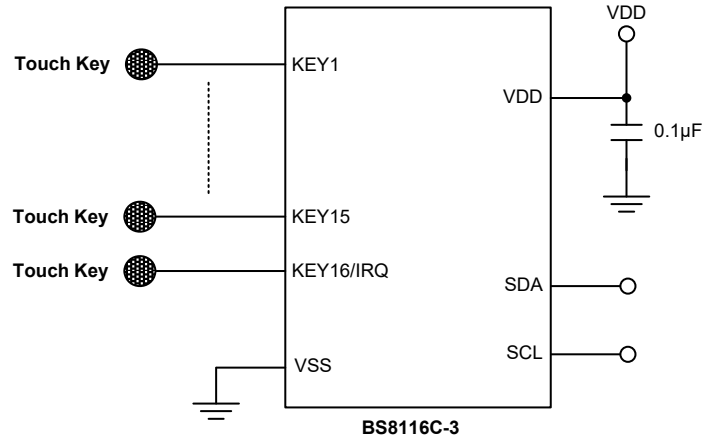
BS8112C-3 (16-pin NSOP)



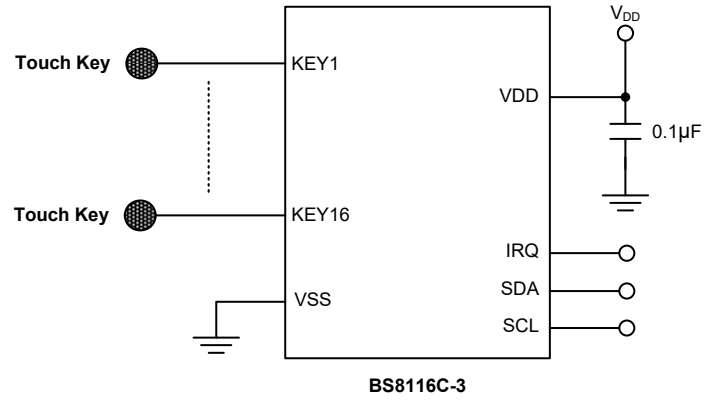
BS8112C-3 (20-pin SSOP)



BS8116C-3 (20-pin SSOP)



BS8116C-3 (24-pin SSOP)



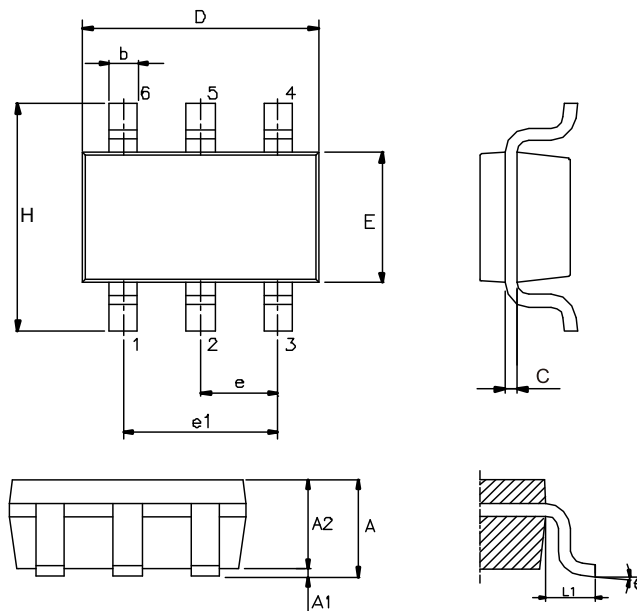
Package Information

Note that the package information provided here is for consultation purposes only. As this information may be updated at regular intervals users are reminded to consult the [Holtek website](#) for the latest version of the [Package/ Carton Information](#).

Additional supplementary information with regard to packaging is listed below. Click on the relevant section to be transferred to the relevant website page.

- Package Information (include Outline Dimensions, Product Tape and Reel Specifications)
- The Operation Instruction of Packing Materials
- Carton information

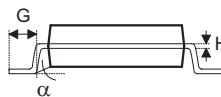
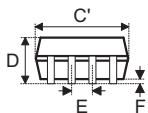
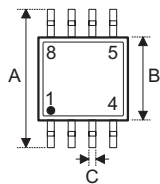
6-pin SOT23 Outline Dimensions



Symbol	Dimensions in inch		
	Min.	Nom.	Max.
A	—	—	0.057
A1	—	—	0.006
A2	0.035	0.045	0.051
b	0.012	—	0.020
C	0.003	—	0.009
D	—	0.114 BSC	—
E	—	0.063 BSC	—
e	—	0.037 BSC	—
e1	—	0.075 BSC	—
H	—	0.110 BSC	—
L	0.012	0.018	0.024
θ	0°	—	8°

Symbol	Dimensions in mm		
	Min.	Nom.	Max.
A	—	—	1.45
A1	—	—	0.15
A2	0.90	1.15	1.30
b	0.30	—	0.50
C	0.08	—	0.22
D	—	2.90 BSC	—
E	—	1.60 BSC	—
e	—	0.95 BSC	—
e1	—	1.90 BSC	—
H	—	2.80 BSC	—
L	0.30	0.45	0.60
θ	0°	—	8°

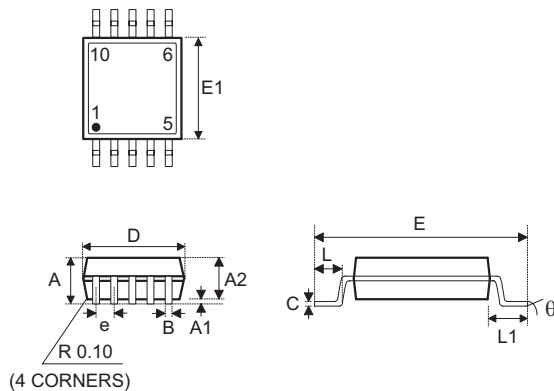
8-pin SOP (150mil) Outline Dimensions



Symbol	Dimensions in inch		
	Min.	Nom.	Max.
A	—	0.236 BSC	—
B	—	0.154 BSC	—
C	0.012	—	0.020
C'	—	0.193 BSC	—
D	—	—	0.069
E	—	0.050 BSC	—
F	0.004	—	0.010
G	0.016	—	0.050
H	0.004	—	0.010
α	0°	—	8°

Symbol	Dimensions in mm		
	Min.	Nom.	Max.
A	—	6.0 BSC	—
B	—	3.9 BSC	—
C	0.31	—	0.51
C'	—	4.9 BSC	—
D	—	—	1.75
E	—	1.27 BSC	—
F	0.10	—	0.25
G	0.40	—	1.27
H	0.10	—	0.25
α	0°	—	8°

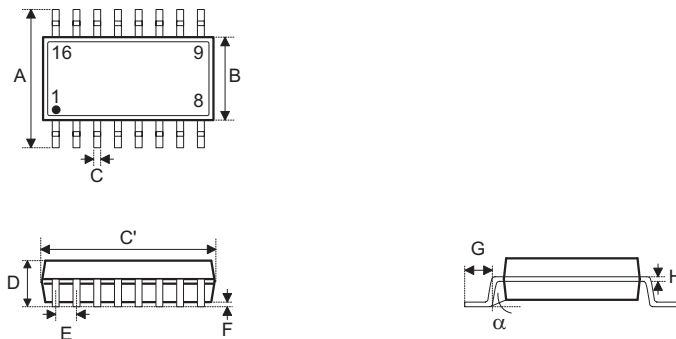
10-pin MSOP Outline Dimensions



Symbol	Dimensions in inch		
	Min.	Nom.	Max.
A	—	—	0.043
A1	0.000	—	0.006
A2	0.030	0.033	0.037
b	0.007	—	0.013
c	0.003	—	0.009
D	—	0.118 BSC	—
E	—	0.193 BSC	—
E1	—	0.118 BSC	—
e	—	0.020 BSC	—
L	0.016	0.024	0.031
L1	—	0.037 BSC	—
y	—	0.004	—
α	0°	—	8°

Symbol	Dimensions in mm		
	Min.	Nom.	Max.
A	—	—	1.10
A1	0.00	—	0.15
A2	0.75	0.85	0.95
b	0.17	—	0.33
c	0.08	—	0.23
D	—	3.0 BSC	—
E	—	4.9 BSC	—
E1	—	3.0 BSC	—
e	—	0.5 BSC	—
L	0.40	0.60	0.80
L1	—	0.95 BSC	—
y	—	0.1	—
α	0°	—	8°

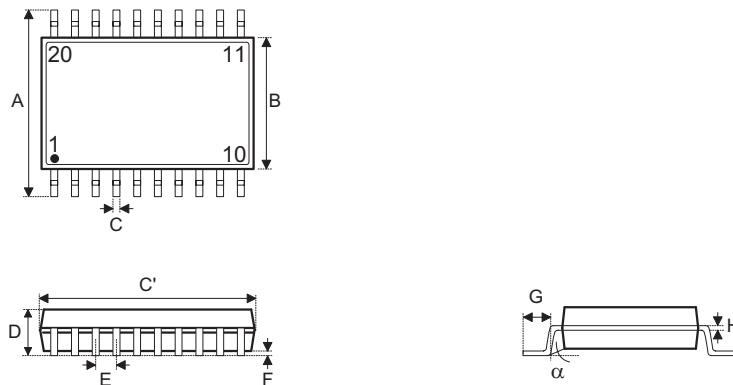
16-pin NSOP (150mil) Outline Dimensions



Symbol	Dimensions in inch		
	Min.	Nom.	Max.
A	—	0.236 BSC	—
B	—	0.154 BSC	—
C	0.012	—	0.020
C'	—	0.390 BSC	—
D	—	—	0.069
E	—	0.050 BSC	—
F	0.004	—	0.010
G	0.016	—	0.050
H	0.004	—	0.010
α	0°	—	8°

Symbol	Dimensions in mm		
	Min.	Nom.	Max.
A	—	6.0 BSC	—
B	—	3.9 BSC	—
C	0.31	—	0.51
C'	—	9.9 BSC	—
D	—	—	1.75
E	—	1.27 BSC	—
F	0.10	—	0.25
G	0.40	—	1.27
H	0.10	—	0.25
α	0°	—	8°

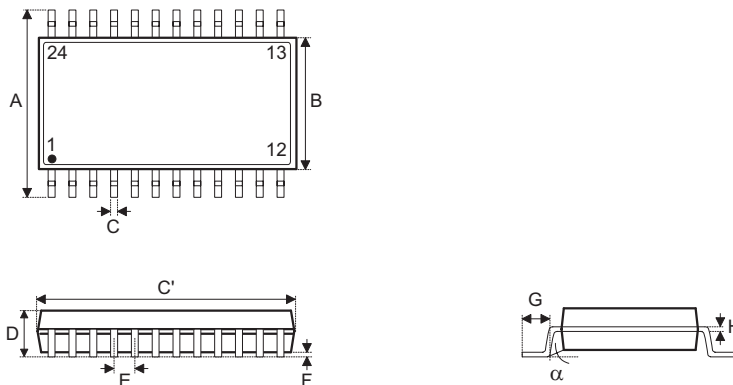
20-pin SSOP (150mil) Outline Dimensions



Symbol	Dimensions in inch		
	Min.	Nom.	Max.
A	—	0.236 BSC	—
B	—	0.154 BSC	—
C	0.008	—	0.012
C'	—	0.341 BSC	—
D	—	—	0.069
E	—	0.025 BSC	—
F	0.004	—	0.01
G	0.016	—	0.05
H	0.004	—	0.01
α	0°	—	8°

Symbol	Dimensions in mm		
	Min.	Nom.	Max.
A	—	6.000 BSC	—
B	—	3.900 BSC	—
C	0.20	—	0.30
C'	—	8.660 BSC	—
D	—	—	1.75
E	—	0.635 BSC	—
F	0.10	—	0.25
G	0.41	—	1.27
H	0.10	—	0.25
α	0°	—	8°

24-pin SSOP (150mil) Outline Dimensions



Symbol	Dimensions in inch		
	Min.	Nom.	Max.
A	—	0.236 BSC	—
B	—	0.154 BSC	—
C	0.008	—	0.012
C'	—	0.341 BSC	—
D	—	—	0.069
E	—	0.025 BSC	—
F	0.004	—	0.010
G	0.016	—	0.050
H	0.004	—	0.010
α	0°	—	8°

Symbol	Dimensions in mm		
	Min.	Nom.	Max.
A	—	6.000 BSC	—
B	—	3.900 BSC	—
C	0.20	—	0.30
C'	—	8.660 BSC	—
D	—	—	1.75
E	—	0.635 BSC	—
F	0.10	—	0.25
G	0.41	—	1.27
H	0.10	—	0.25
α	0°	—	8°

Copyright© 2021 by HOLTEK SEMICONDUCTOR INC.

The information appearing in this Data Sheet is believed to be accurate at the time of publication. However, Holtek assumes no responsibility arising from the use of the specifications described. The applications mentioned herein are used solely for the purpose of illustration and Holtek makes no warranty or representation that such applications will be suitable without further modification, nor recommends the use of its products for application that may present a risk to human life due to malfunction or otherwise. Holtek's products are not authorized for use as critical components in life support devices or systems. Holtek reserves the right to alter its products without prior notification. For the most up-to-date information, please visit our web site at <http://www.holtek.com>.