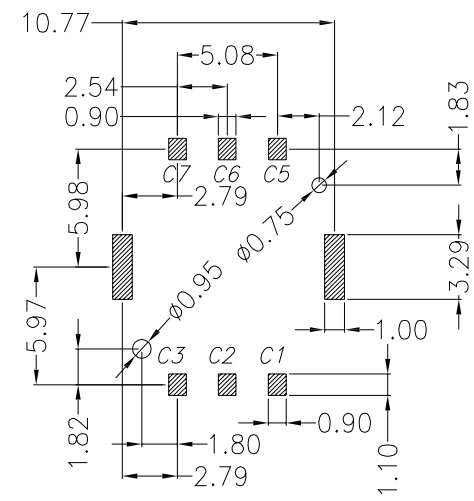
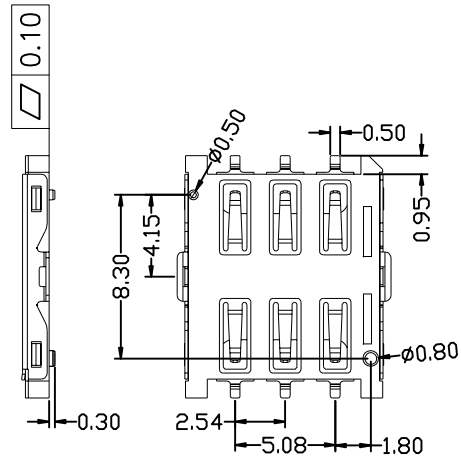
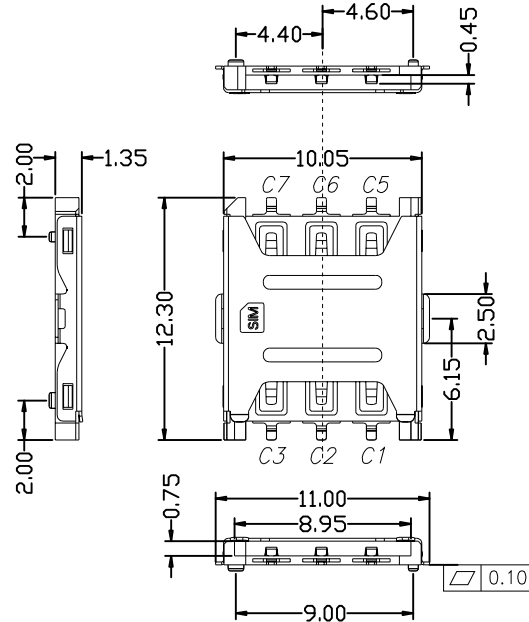


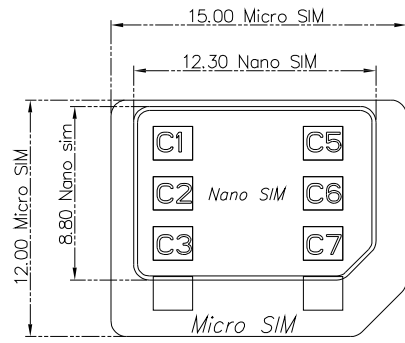
REV.	DATE	ECN NO.	MODIFICATION	APPROVER
A	2016/04/07	/	NEW	Vicky
B	2018/12/24	RD00318122401	以实物修改图面	Vicky
C	2020/05/18	RD00320051801	修改图面参数	Jason



RECOMMENDED PCB LAYOUT  
TOL:±0.05

SIM pin assignment	
PIN#	Name
C1	VCC
C2	RST
C3	CLK
C5	GND
C6	VPP
C7	I/O

- Notes:
- Material:
    - Housing: Thermoplastic,UL94V-0, Black
    - Contact : Copper alloy,
    - Shell: SUS,
    - Contact:
      - Contact Area: Plated Ni overall
      - Contact all Au
    - Shell: Plated Ni overall,Au plated solder area
  - Electrical:
    - Voltage Rating: 5.5V AC/DC
    - Current Rating: 0.5A AC/DC Max
    - Operating Temperature: -30°C to +85°C
    - Insulation Resistance: 1000MΩ Min/500VDC
    - Contact Resistance: 100mΩ Max
    - Durability:5000 cycles Min



GENERAL TOLERANCE				UNITS	NAME:			
SELECT	✓			mm	NANO SIM CARD			
TOL.	1	2	3	MAT'L	PART NO:			
ON.	±0.05	±0.05	±0.15	FINISH	RSS69C-08200			
X.XXX	±0.10	±0.13	±0.25	Q'TY				
X.XX	±0.15	±0.25	±0.50					
X.X	±0.30	±0.38	±1.00					
ANGLE	±2°							

	SCALE	SHEET	REV
	1:1	1/1	C