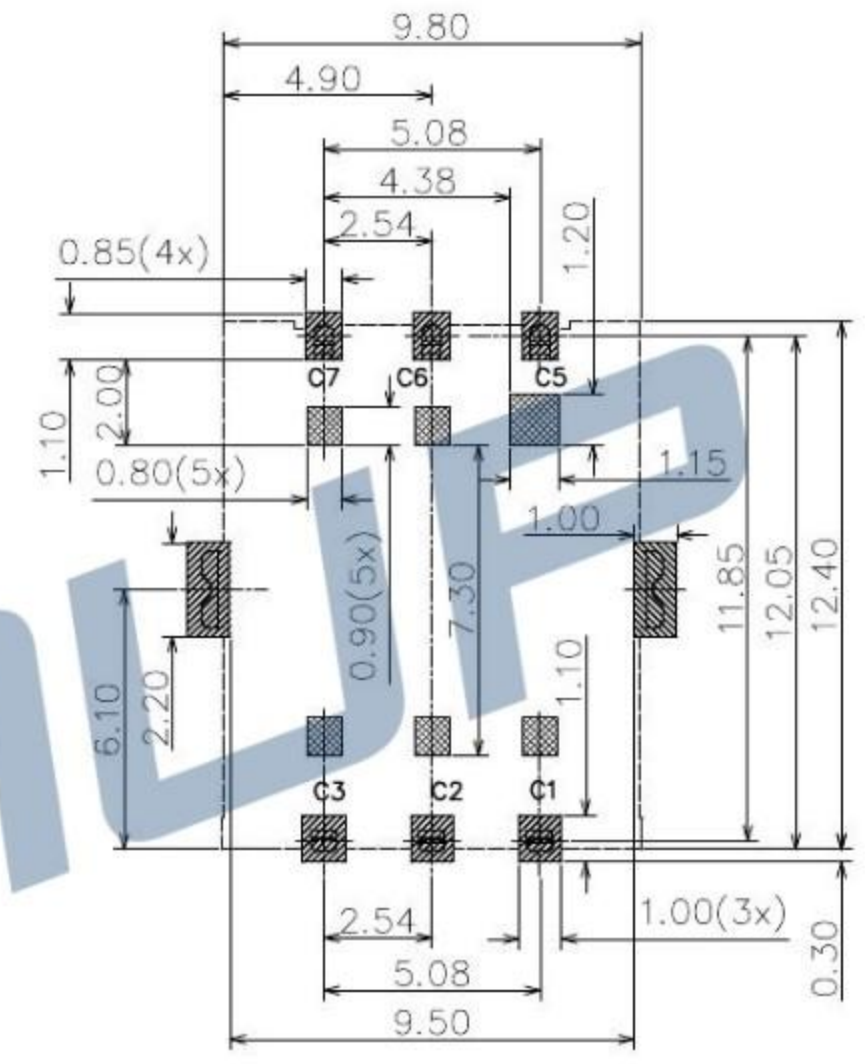
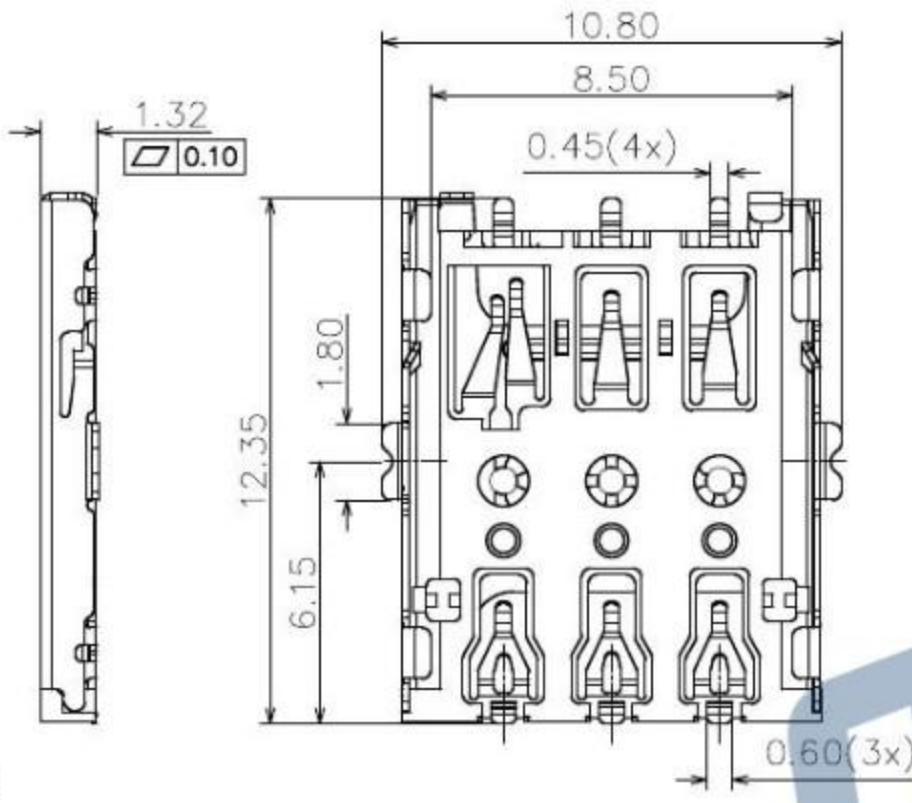
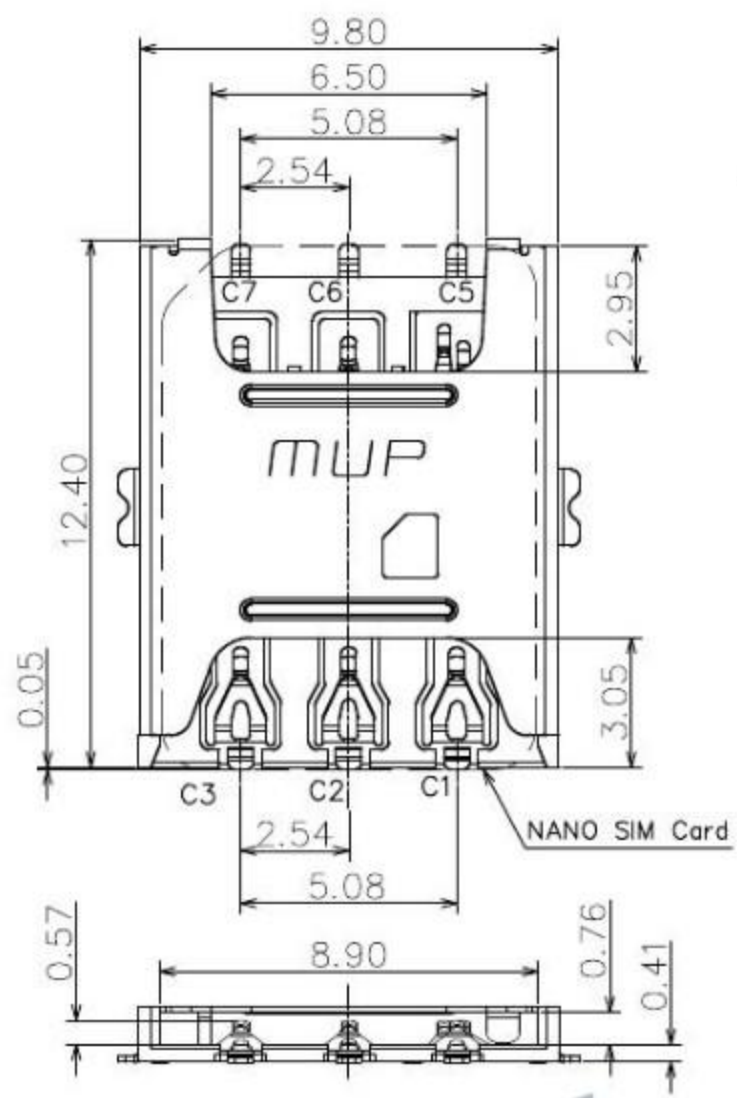


| REV. | DESCRIPTION OF REVISIONS | APPR. | DRAW. | RELEASE | DATE |
|------|--------------------------|-------|-------|---------|------|
| X1   |                          |       |       |         |      |
| X2   |                          |       |       |         |      |

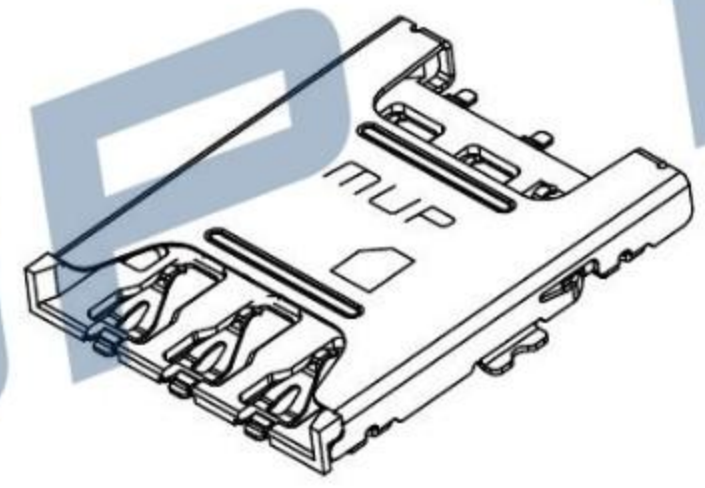


RECOMMENDED P.C.B LAYOUT  
COMPONENT SIDE(TOLERANCE ±0.05)

- PAD AREA
- CONNECTOR OUTLINE
- NO PATTERN AND VIA HOLE IN THIS AREA

**TECHNICAL CHARACTERISTICS**

- 1.General Characteristics
  - Dimensions: 12.40LX9.80WX1.35H mm
  - Weight: Approx 0.50±0.2g
  - Durability: 1,500 cycles min.
- 2.Electrical Characteristics
  - Contact resistance: 50mΩ typical, 100mΩ max
  - Insulation resistance: >1000MΩ/500V DC
- 3.Solderability
  - Vaporphase: 215°C, 30sec.Max
  - IR reflow: 250°C, 5sec.Max
  - Manual soldering: 370°C, 3sec.Max
- 4.Environmental Characteristics
  - Operating temperature: -40°C~+85°C
  - Operating humidity: 10%~+95%RH



| NANO SIM CARD |                              |
|---------------|------------------------------|
| Pin No.       | ASSIGNMENT                   |
| C1            | VCC(SUPPLY VOLTAGE)          |
| C2            | RST(RESET SIGNAL)            |
| C3            | CLK(CLOCK SIGNAL)            |
| C5            | GND                          |
| C6            | VPP(VARIABLE SUPPLY VOLTAGE) |
| C7            | I/O(DATA INPUT/OUTPUT)       |

| ITEM | PART NAME    | Q'TY | MATERIAL              | FINISH                   |
|------|--------------|------|-----------------------|--------------------------|
| 1    | HOUSING      | 1    | Hi-temp Thermoplastic | Black UL94V-0            |
| 2    | DATA CONTACT | 6    | Copper Alloy          | Contact area:Gold plated |
| 3    | SHELL        | 1    | Stainless Steel       |                          |

Unless otherwise specified, other tolerance are:

|       |       |        |     |
|-------|-------|--------|-----|
| X     | ±0.35 | X'     | ±5' |
| X.X   | ±0.25 | X.X'   | ±4' |
| X.XX  | ±0.15 | X.XX'  | ±3' |
| X.XXX | ±0.10 | X.XXX' | ±2' |

**MUP MUP INDUSTRIAL CO.,LTD.**

NAME: **NANO-SIM Card Connector**

MODEL NO: **MUP-C782-4**

TYPE: **H1.35mm 6PIN Without Switch Pin**

|                  |      |       |          |                   |          |                |
|------------------|------|-------|----------|-------------------|----------|----------------|
| PROJ.            | UNIT | SCALE | DRAWN    | Henry Mar.12.2019 | DWG NO.: | DWG-MUP-C782-4 |
|                  | mm   | 1:1   | CHECKED  | Henry Mar.12.2019 | SHEET    | 1/1            |
| CUSTOMER DRAWING |      |       | APPROVAL | Simon Mar.12.2019 | REVISION | X1             |

