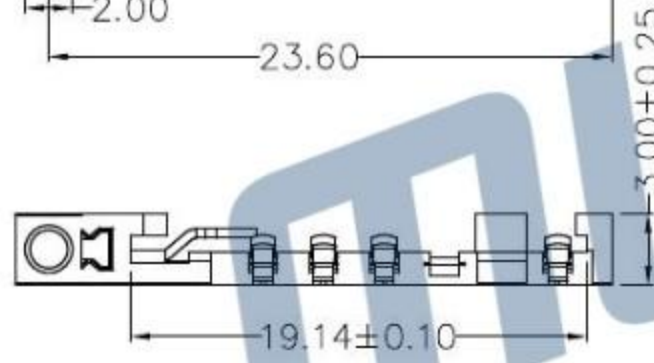
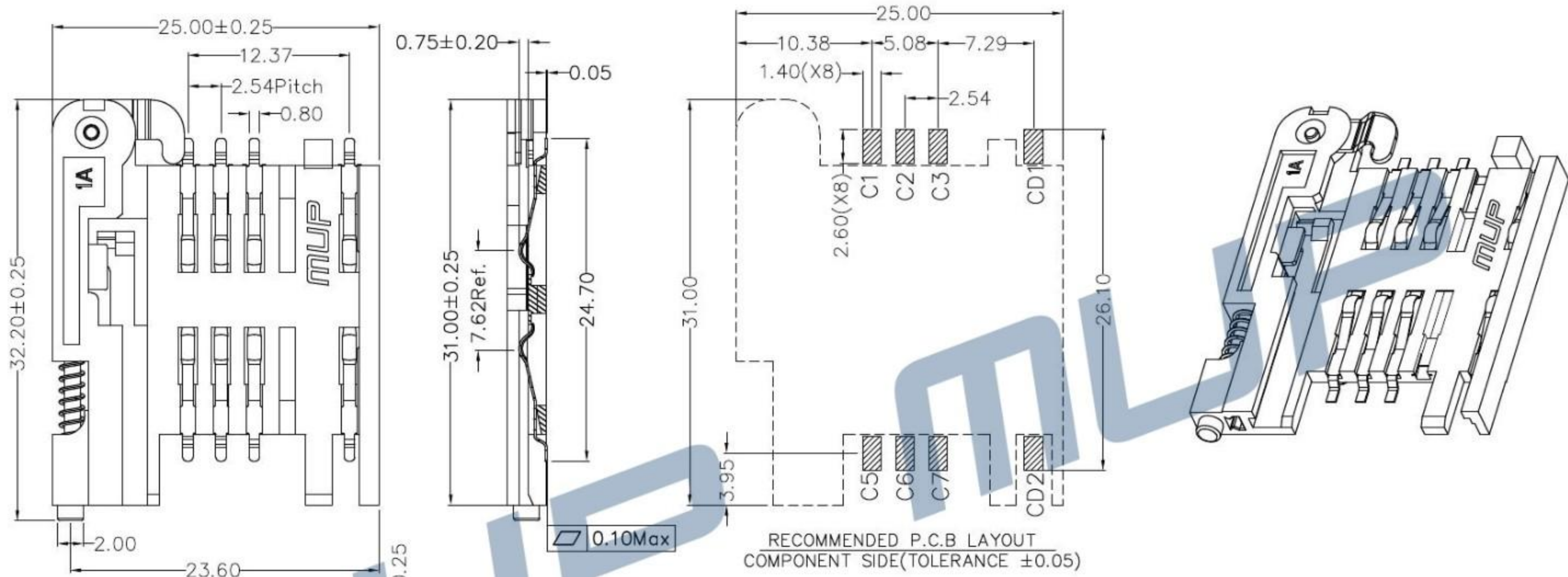
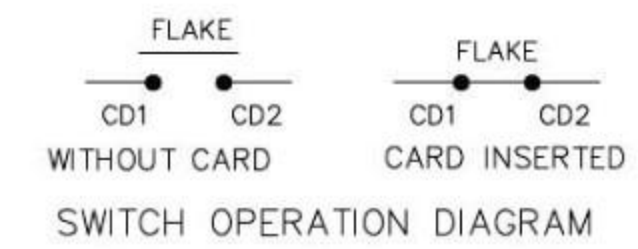


REV.	DESCRIPTION OF REVISIONS	APPR.	DRAW.	RELEASE	DATE
X1	Ooriginal reversion				



ELECTRIC FUNCTION	DETECT SWITCH
WITHOUT CARD	OPEN
CARD INSERTED	CLOSED



TECHNICAL CHARACTERISTICS

- General Characteristics
 - Dimensions: 32.20LX25.00WX3.00H mm
 - Weight: Approx 1.60 ± 0.20g
 - Durability: 5,000 cycles min.
- Electrical Characteristics
 - Contact resistance: 50mΩ typical, 100mΩ max
 - Insulation resistance: >1000MΩ/500V DC
- Solderability
 - Vapor phase: 215°C, 30sec. Max
 - IR reflow: 250°C, 5sec. Max
 - Manual soldering: 370°C, 3sec. Max
- Environmental Characteristics
 - Operating temperature: -40°C ~ +85°C
 - Operating humidity: 10% ~ +95%RH

RECOMMENDED P.C.B LAYOUT
COMPONENT SIDE (TOLERANCE ± 0.05)

ITEM	PART NAME	Q'TY	MATERIAL	FINISH
1	BASE	1	Hi-temp Thermoplastic	Black UL94V-0
2	DATA CONTACT	8	Copper Alloy	Contact area: Gold plated
3	HANDLE	1	Hi-temp Thermoplastic	Yellow UL94V-0
4	SPRING	1	SWP	
5	POLE	1	Stainless Steel	
6	AXIS	1	Copper Alloy	Ni plated over all
7	TOGGLE LEVER	1	Stainless Steel	

Unless otherwise specified, other tolerance are:

X	±0.35	X*	±5*
X.X	±0.25	X.X*	±4*
X.XX	±0.15	X.XX*	±3*
X.XXX	±0.10	X.XXX*	±2*

MUP MUP INDUSTRIAL CO.,LTD.

NAME: **SIM Card Connector**

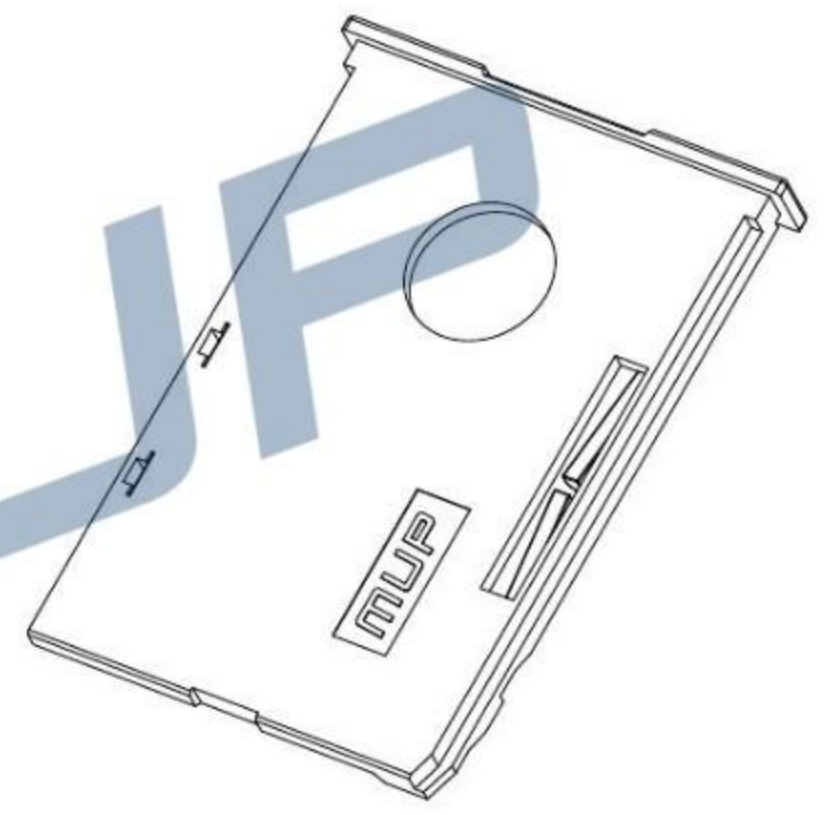
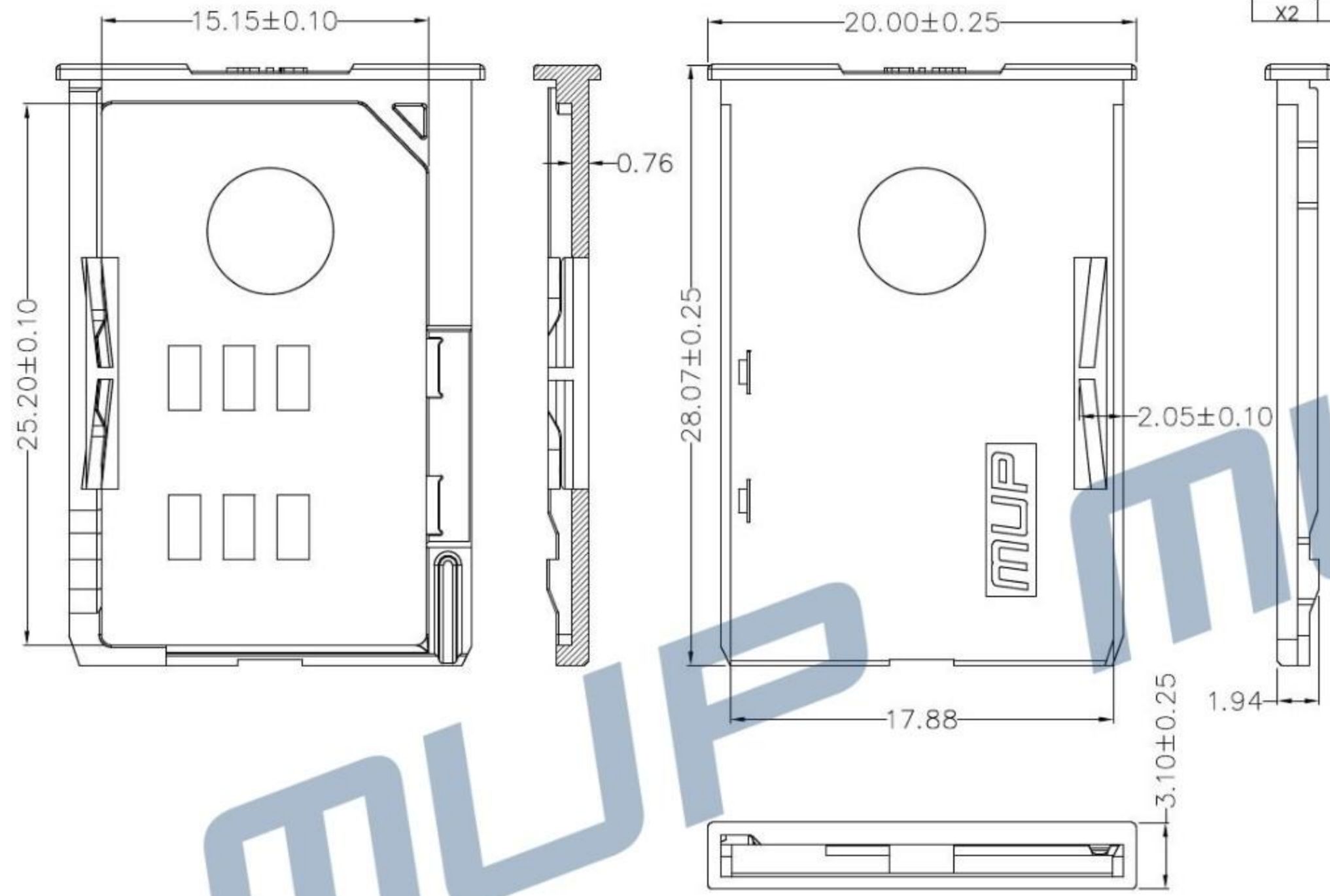
MODEL NO: **MUP C716-3**

TYPE: **without post 6p**

PROJ.	UNIT	SCALE	DRAWN	DATE	DWG NO.:
	mm	1:1	Zoey	Oct.10.2006	DWG-MUP-C716-003
CUSTOMER DRAWING			CHECKED	DATE	SHEET
			Jun	Oct.10.2006	1/1
			APPROVAL	DATE	REVISION
					X1



REV.	DESCRIPTION OF REVISIONS	APPR.	DRAW.	RELEASE	DATE
X1					
X2					



TECHNICAL CHARACTERISTICS

1.General Characteristics

Dimensions: 28.07LX20.00WX3.10H mm
 Weight: Approx 0.66±0.20g

2.Environmental Characteristics

Operating temperature: -40°C~+85°C
 Operating humidity: 10%~+95%RH



ITEM	PART NAME	Q'TY	MATERIAL	FINISH
1	COVER	1	Hi-temp Thermoplastic	Black UL94V-0
2	FLAKE	1	Copper Alloy	Gold plated over all

Unless otherwise specified, other tolerance are:

X	±0.35	X'	±5'
X.X	±0.25	X.X'	±4'
X.XX	±0.15	X.XX'	±3'
X.XXX	±0.10	X.XXX'	±2'

MUP MUP INDUSTRIAL CO.,LTD.

NAME: **SIM Card Connector**
 MODEL NO: **MUP C716-33**
 TYPE: **COVER(with logo)**

PROJ.	UNIT	SCALE	DRAWN	Zoey Oct.10.2006	DWG NO.:	DWG-MUP-C716-033	
⊕	mm	1:1	CHECKED	Jimmy Oct.10.2006	SHEET	1/1	REVISION
CUSTOMER DRAWING			APPROVAL	Jun Oct.10.2006	X1		