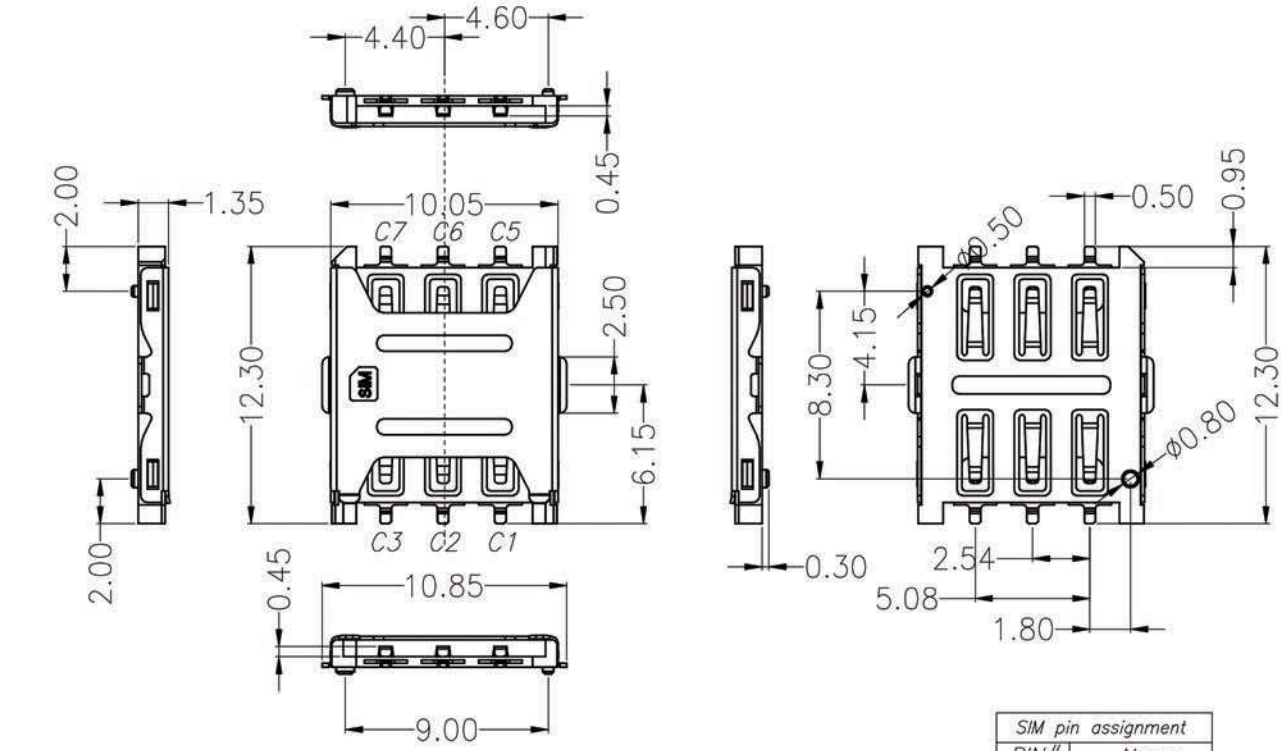
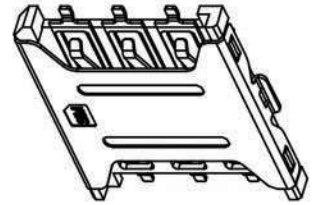


* 所有原材料, 生产制程, 电镀必须符合ROHS要求



SIM pin assignment	
PIN#	Name
C1	VCC 供电电压
C2	RST 重置
C3	CLK 时钟
C5	GND 接地
C6	VPP 程序电压
C7	I/O 输入输出

Specification

MATERIAL:

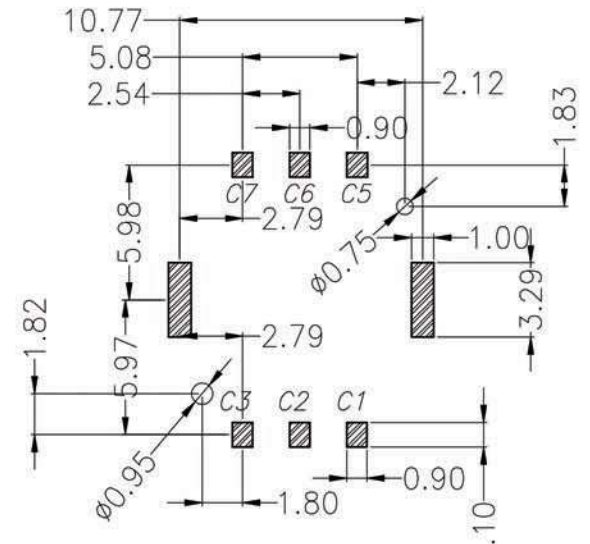
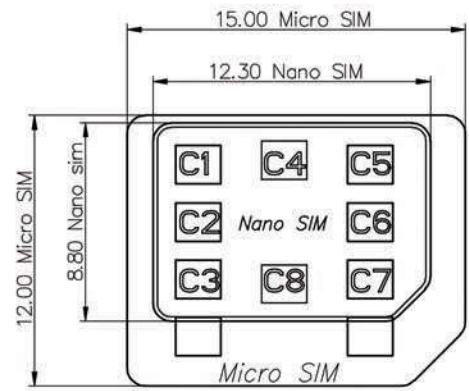
Insulator: High Temperature Thermoplastic, UL 94V-0.
 Contact: C5210
 SHELL: SUS

PLATING:

Contact: Plated 50u" Ni Overall Contact ALL Au 1U,
 Shell: Plated 50u" Ni Overall, PAD Au 1U

Electrical:

Current Rating :0.5mA AC/DC max.
 Voltage Rating :125V AC/DC
 Ambient Temperature Range :-20° C~+60° C
 Storage Temperature Range :-40° C~+70° C
 Ambient Humidity Range :90% R.H. Max.
 Contact Resistance:100m Ω
 Insulation Resistance:1000M Ω min./500VDC
 Mating Cycles:10,000 Insertions
 产品耐温温度: 200° C ± 0.5%
 Mating Cycles:3,000 Insertions Min



REVISION NO.	REV. NO.	DESCRIPTION	MARK	DATE
1	1			
2	2			

DIMENSIONS UNIT: mm UNLESS OTHERWISE SPECIFICATED DIMENSION TOLERANCE X.X: ± 0.15 X.XX: ± 0.10 X.XXX: ± 0.05 ANGULAR: ± 1°	PRODUCT NAME : NANO-SIM 卡座NO-PUSH 1.35H	DRAWING: Jennie	DATE: 2015/04/10
	PART NO : SNSIM118-123	CHECK: Rancy	DATE: 2015/04/11
SCALE: 1:1		DRAWING ID: c3	REV.: A PAGE: 1 of 1