



## LR18230

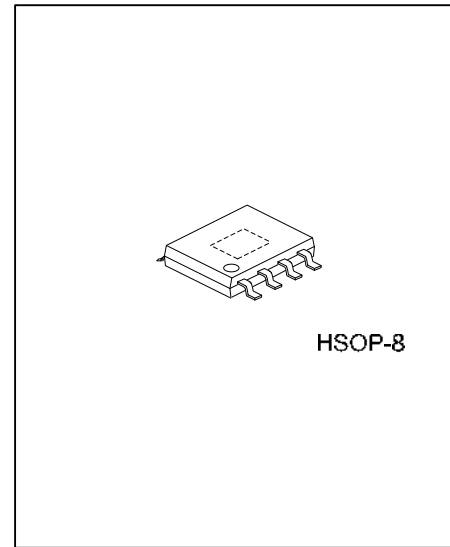
Preliminary

CMOS IC

### 3A ULTRA LOW DROPOUT LINEAR REGULATOR

#### DESCRIPTION

The UTC **LR18230** series of high performance ultra-low dropout linear regulators operates from 2.5V to 6V input supply and provides ultra-low dropout voltage, high output current with low ground current. These ultra-low dropout linear regulators respond fast to step changes in load which makes them suitable for low voltage micro-processor applications. The UTC **LR18230** is CMOS-based positive voltage and a very low dropout regulator IC which allows low quiescent current operation independent of output load current. This CMOS process also allows the UTC **LR18230** to operate under extremely low dropout conditions.



#### FEATURES

- \* 400mV Dropout @ 3A,  $V_O=2.5V$
- \* Compatible with low ESR MLCC as Input/Output Capacitor
- \* Good Line and Load Regulation
- \* Guaranteed Output Current of 3A
- \* Available in HSOP-8 Package
- \* Over-Temperature/Over-Current Protection

#### ORDERING INFORMATION

Ordering Number		Package	Packing
Lead Free	Halogen Free		
LR18230L-xx-S08-R	LR18230G-xx-S08-R	SOP-8	Tape Reel

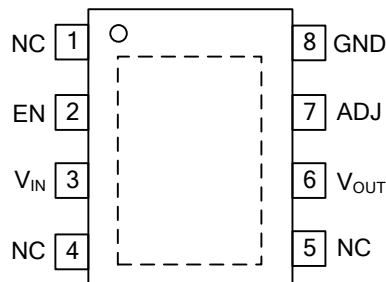
Note: xx: Output Voltage, refer to Marking Information.

<p>LR18230G-xx-SH2-R</p>	<p>(1) Packing Type (1) R: Tape Reel</p> <p>(2) Package Type (2) SH2: HSOP-8</p> <p>(3) Output Voltage Code (3) xx: refer to MARKING INFORMATION</p> <p>(4) Green Package (4) G: Halogen Free and Lead Free, L: Lead Free</p>
--------------------------	---

MARKING INFORMATION

PACKAGE	VOLTAGE CODE	MARKING
HSOP-8	AD: ADJ	

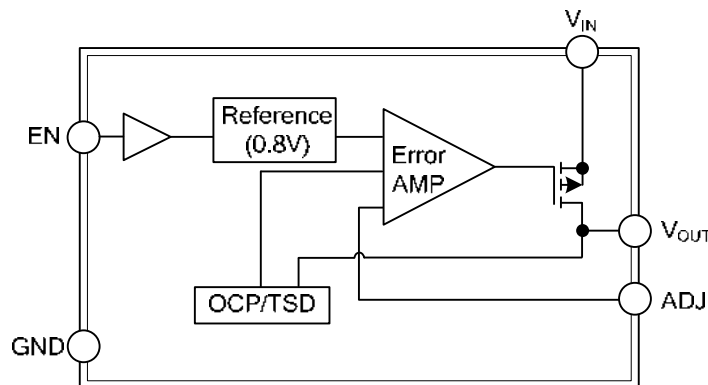
PIN CONFIGURATION



PIN DESCRIPTION

PIN NO.	PIN NAME	DESCRIPTION
1	N.C	No connect
2	EN	Chip Enable Pin
3	V <sub>IN</sub>	Input Supply Voltage Pin.
4	N.C	No connect
5	N.C	No connect
6	V <sub>OUT</sub>	Voltage Regulator Output Pin
7	ADJ	Feedback Pin
8	GND	Ground Pin

BLOCK DIAGRAM



### ■ ABSOLUTE MAXIMUM RATING

PARAMETER	SYMBOL	RATINGS	UNIT
Input Supply Voltage (Survival)	$V_{IN}$	6	V
Enable Input Voltage (Survival)	$V_{EN}$	6	V
Maximum Output Current	$I_{MAX}$	3	A
Operating Junction Temperature	$T_J$	-40 ~ +125	°C
Storage Temperature Range	$T_{STG}$	-65 ~ +150	°C
Lead Temperature (Soldering, 5 sec)	$T_L$	260	°C

Note: Absolute maximum ratings are those values beyond which the device could be permanently damaged. Absolute maximum ratings are stress ratings only and functional device operation is not implied.

### ■ THERMAL DATA

PARAMETER	SYMBOL	RATINGS	UNIT
Junction to Ambient	$\theta_{JA}$	68	°C/W

### ■ ELECTRICAL CHARACTERISTICS

(Limits in standard typeface are for  $T_J=25^\circ\text{C}$ , unless otherwise specified.)

( $V_{IN}$  (Note 1) =  $V_{O(NOM)} + 1\text{V}$ ,  $I_L=10\text{mA}$ ,  $C_{IN}=10\mu\text{F}$ ,  $C_{OUT}=10\mu\text{F}$ ,  $V_{EN}=V_{IN}-0.3\text{V}$ )

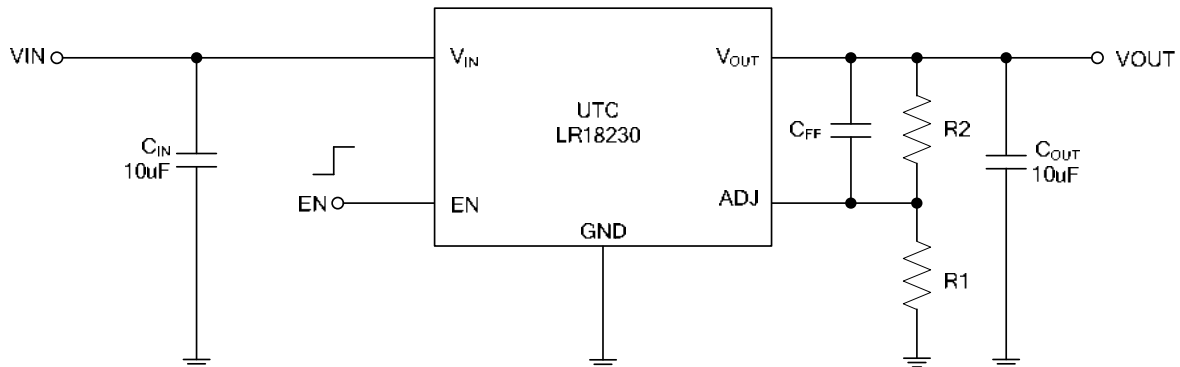
PARAMETER	SYMBOL	TEST CONDITIONS	MIN	TYP	MAX	UNIT	
Output Voltage Tolerance	$V_O$	$V_{OUT}+1\text{V}<V_{IN}<5.5\text{V}$	-3	0	3	%	
Adjustable Pin Voltage	$V_{ADJ}$	$2.5\text{V}<V_{IN}<5.5\text{V}$	0.776	0.8	0.824	V	
Line Regulation	$\Delta V_{LINE}$	$V_{OUT}+1\text{V}<V_{IN}<5.5\text{V}$		0.15	0.40	%/V	
Load Regulation (Note 2)	$\Delta V_{LOAD}$	$10\text{mA}<I_L<3\text{A}$		0.20	0.60	%	
Dropout Voltage (Note 3)	$V_{DROP}$	$I_L=300\text{mA}$		45	65	mV	
		$I_L=3\text{A}$		400	600		
Ground Pin Current	$I_{GND}$	$I_L=300\text{mA}$		0.30	1.0	mA	
		$I_L=3\text{A}$		0.30	1.0		
Ground Pin Current	$I_{GND\_OFF}$	$V_{EN}<0.2\text{V}$		0.5	2	uA	
Power Supply Rejection Ratio	PSRR	$f=1\text{kHz}$		55		dB	
		$f=1\text{kHz}$ , $C_{FF}=1\mu\text{F}$		65			
Thermal Shutdown Temperature	$T_{SD}$			170		°C	
Enable threshold	Logic Low	$V_{IL}$	Output=Low			0.4	V
	Logic High	$V_{IH}$	Output=High	2.0			V
Enable Input Current	$I_{EN}$	$V_{EN}=V_{IN}$	-1	0	1	uA	

Notes: 1. The minimum operating value for input voltage is equal to either ( $V_{OUT,NOM}+V_{DROP}$ ) or 2.5V, whichever is greater.

2. Regulation is measured at constant junction temperature by using a 10ms current pulse. Devices are tested for load regulation in the load range from 10mA to 3A.

3. Dropout voltage is defined as the minimum input to output differential voltage at which the output drops 2% below the nominal value. Dropout voltage specification applies only to output voltages of 2.5V and above. For output voltages below 2.5V, the dropout voltage is nothing but the input to output differential, since the minimum input voltage is 2.5V.

■ TYPICAL APPLICATION CIRCUIT



Off option notes: the capacitance of feed-forward capacitor with range of 10pF to 1µF allows to achieve better PSRR performance when required by the application

UTC assumes no responsibility for equipment failures that result from using products at values that exceed, even momentarily, rated values (such as maximum ratings, operating condition ranges, or other parameters) listed in products specifications of any and all UTC products described or contained herein. UTC products are not designed for use in life support appliances, devices or systems where malfunction of these products can be reasonably expected to result in personal injury. Reproduction in whole or in part is prohibited without the prior written consent of the copyright owner. UTC reserves the right to make changes to information published in this document, including without limitation specifications and product descriptions, at any time and without notice. This document supersedes and replaces all information supplied prior to the publication hereof.