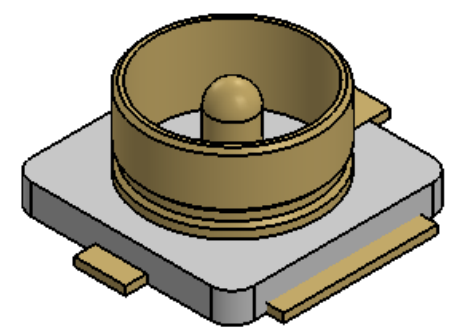
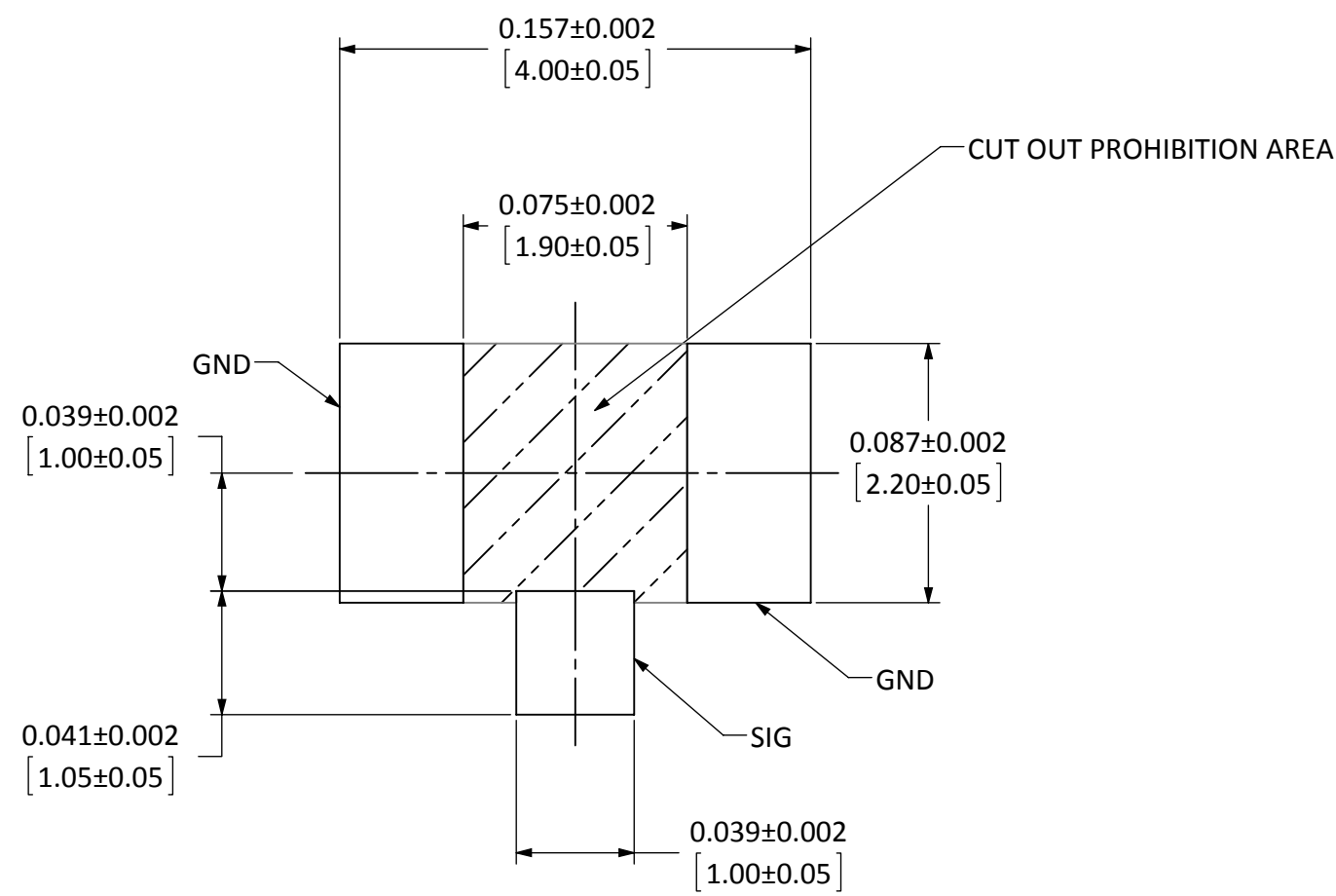
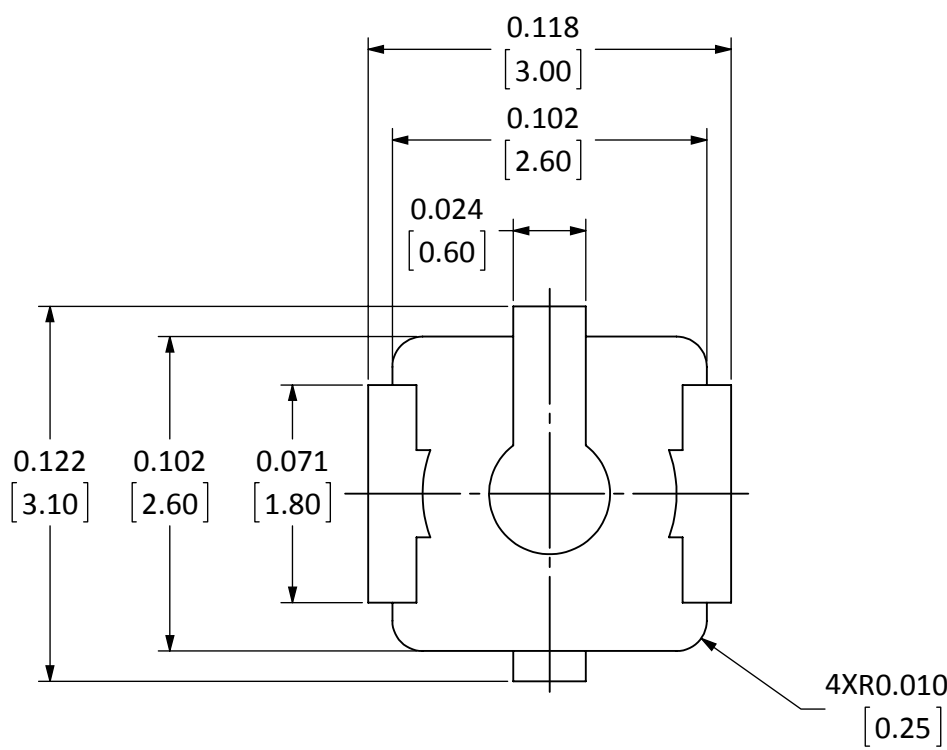
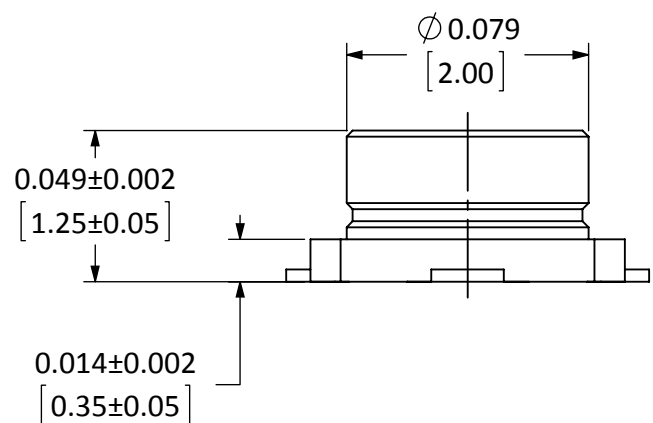
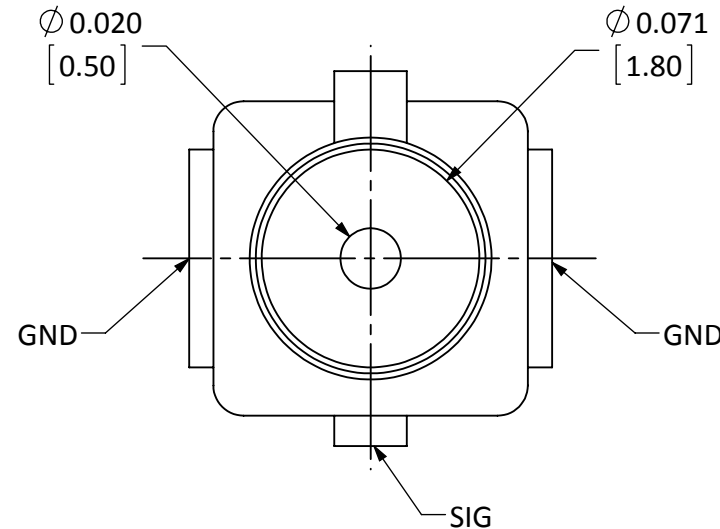


REVISIONS			
REV	DESCRIPTION	DATE	APPV
A	INITIAL RELEASE OF LINX INTERNAL DRAWING	15-MAY-17	CLL
B	UPDATED TITLE; ADDED P/N TABLE AND SECOND SHEET SHOWING TAPE AND REEL INFORMATION	10-JUL-17	CLL



RECOMMENDED FOOTPRINT