



Features

- 150m type available.
- 2 Transfer contact configuration.
- Small size and light weight for high density PCB mounting.

Safety Approval

UL, TUV, CQC

Contact capacity

| | |
|----------------------------|--------------------|
| Model | YSV |
| Nominal Switching Capacity | 1A 120VAC 2A 30VDC |
| Max. switching current | 2A |
| Max. switching voltage | 125VAC |
| Max. switching power | 120VA |

Characteristic Data

| | | |
|---------------------------------------|--|---------------------------------------|
| Contact material | Silver alloy | |
| Initial contact resistance(at6VDC 1A) | 100mΩ Max. | |
| Operate time(at nominal volt) | 6msec.Max. | |
| Release time(at nominal volt) | 4msec.Max. | |
| Initial insulation resistance | 1 000MΩ Min (DC500V) | |
| Initial dielectric strength | Between open contacts: AC750V,50/60HZ 1Min. | |
| | Between coil and contacts: AC1000V,50/60HZ 1Min. | |
| | Between contact groups: AC750V,50/60HZ 1Min. | |
| Vibration resistance | Functional | 10-55 HZ at double amplitude of 1.5mm |
| | Destructive | 10-55 HZ at double amplitude of 1.5mm |
| Shock resistance | Functional | 20G Min. |
| | Destructive | 100G Min. |
| Endurance(operations) | Mechanical(at 10,800ps.h) | 100,000,000 times |
| | Electrical(at 10,800ps.h) | 100,000 times |
| Ambient temperature | -40°C +85°C (no condensation) | |
| Unit weight | Approx4.6g | |

Coil Data(at 20°C)

| Nominal voltage (VDC) | Nominal operating current ± 10% (mA) | Coil resistance ± 10% (Ω) | Allowable voltage (Max.) | Pick-up voltage (Max.) | Drop-out voltage (Min.) | Nominal operating power |
|-----------------------|--------------------------------------|---------------------------|--------------------------|------------------------|-------------------------|-------------------------|
| 3 | 50 | 60 | 3.9 | 75% of nominal voltage | 5% of nominal voltage | 0.36W |
| 5 | 30 | 167 | 6.5 | | | |
| 6 | 25 | 240 | 7.8 | | | |
| 9 | 16.6 | 540 | 11.7 | | | |
| 12 | 12.5 | 960 | 15.6 | | | |
| 15 | 10 | 1,500 | 19.5 | | | |
| 24 | 6.25 | 3,840 | 31.2 | | | |

Coil Data(at 20°C)

| Nominal voltage (VDC) | Nominal operating current ± 10% (mA) | Coil resistance ± 10% (Ω) | Allowable voltage (Max.) | Pick-up voltage (Max.) | Drop-out voltage (Min.) | Nominal operating power |
|-----------------------|--------------------------------------|---------------------------|--------------------------|------------------------|-------------------------|-------------------------|
| 3 | 66.6 | 45 | 3.9 | 75% of nominal voltage | 5% of nominal voltage | 0.2W |
| 5 | 40.0 | 125 | 6.5 | | | |
| 6 | 33.3 | 180 | 7.8 | | | |
| 9 | 22.2 | 405 | 11.7 | | | |
| 12 | 16.6 | 720 | 15.6 | | | |
| 15 | 13.3 | 1,125 | 19.5 | | | |
| 24 | 8.3 | 2,880 | 31.2 | | | 0.36W |
| 3 | 120.0 | 25 | 3.9 | | | |
| 5 | 72.0 | 69 | 6.5 | | | |
| 6 | 60.0 | 100 | 7.8 | | | |
| 9 | 40.0 | 225 | 11.7 | | | |
| 12 | 30.0 | 400 | 15.6 | | | |
| 15 | 24.0 | 625 | 19.5 | 0.58W | | |
| 24 | 15.0 | 1,600 | 31.2 | | | |
| 48 | 12.0 | 4,000 | 62.4 | | | |

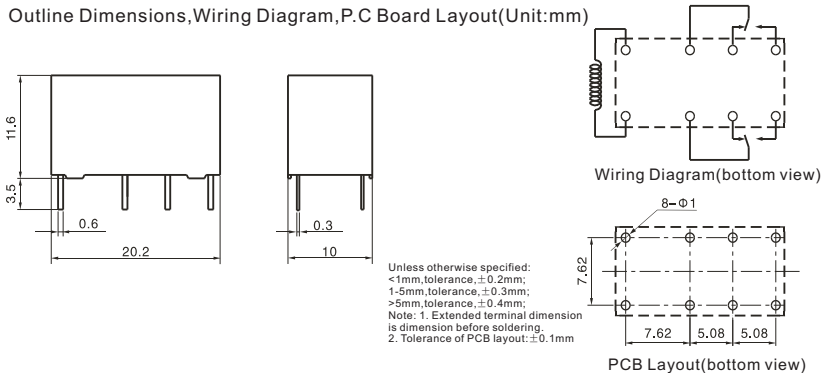
Safety Approval Ratings

| Approval | CQC | TUV | UL |
|------------------|-----------|-----------------------|-----------------------|
| Approval ratings | 2A 125VAC | 1A 120VAC 1A 24VDC | 1A 120VAC 2A 30VDC |

Ordering Information

| Nomenclature |
|--|
| YSV-SS-2 12 D-XX |
| Special parameter: Nil-Standard type Letter or number-Special requirement |
| Coil Power: D-0.2W L-0.15W |
| Coil Voltage: 02,03,05,06,09,12,24 |
| Number of Pole: 1-1 Pole |
| Protective Construction: SS-Flux proofed SH-Sealed type washable |
| Type Designation: YSV |

Outline Dimensions, Wiring Diagram, P.C Board Layout(Unit:mm)



Note: Specifications and dimensions in this catalog are subjected to change without notice.

Typical Applications

- Office equipment
- Computer peripherals
- Medical equipment
- Telecommunication equipment
- Security alarm system

Characteristic Curves

