

## Features

- 150m type available.
- 2 Transfer contact configuration.
- Small size and light weight for high density PCB mounting.

## Safety Approval

UL, TUV, CQC

## Contact capacity

Model	YSV
Nominal Switching Capacity	1A 120VAC 2A 30VDC
Max. switching current	2A
Max. switching voltage	125VAC
Max. switching power	120VA

## Characteristic Data

Contact material	Silver alloy	
Initial contact resistance(at6VDC 1A)	100mΩ Max.	
Operate time(at nominal volt)	6msec.Max.	
Release time(at nominal volt)	4msec.Max.	
Initial insulation resistance	1 000MΩ Min (DC500V)	
Initial dielectric strength	Between open contacts: AC750V,50/60HZ 1Min.	
	Between coil and contacts: AC1000V,50/60HZ 1Min.	
	Between contact groups: AC750V,50/60HZ 1Min.	
Vibration resistance	Functional	10-55 HZ at double amplitude of 1.5mm
	Destructive	10-55 HZ at double amplitude of 1.5mm
Shock resistance	Functional	20G Min.
	Destructive	100G Min.
Endurance(operations)	Mechanical(at 10,800ps.h)	100,000,000 times
	Electrical(at 10,800ps.h)	100,000 times
Ambient temperature	-40°C +85°C (no condensation)	
Unit weight	Approx4.6g	

## Coil Data(at 20°C)

Nominal voltage (VDC)	Nominal operating current ± 10% (mA)	Coil resistance ± 10% (Ω)	Allowable voltage (Max.)	Pick-up voltage (Max.)	Drop-out voltage (Min.)	Nominal operating power
3	50	60	3.9	75% of nominal voltage	5% of nominal voltage	0.36W
5	30	167	6.5			
6	25	240	7.8			
9	16.6	540	11.7			
12	12.5	960	15.6			
15	10	1,500	19.5			
24	6.25	3,840	31.2			

Coil Data(at 20°C)

Nominal voltage (VDC)	Nominal operating current ± 10% (mA)	Coil resistance ± 10% (Ω)	Allowable voltage (Max.)	Pick-up voltage (Max.)	Drop-out voltage (Min.)	Nominal operating power
3	66.6	45	3.9	75% of nominal voltage	5% of nominal voltage	0.2W
5	40.0	125	6.5			
6	33.3	180	7.8			
9	22.2	405	11.7			
12	16.6	720	15.6			
15	13.3	1,125	19.5			
24	8.3	2,880	31.2			0.36W
3	120.0	25	3.9			
5	72.0	69	6.5			
6	60.0	100	7.8			
9	40.0	225	11.7			
12	30.0	400	15.6			
15	24.0	625	19.5	0.58W		
24	15.0	1,600	31.2			
48	12.0	4,000	62.4			

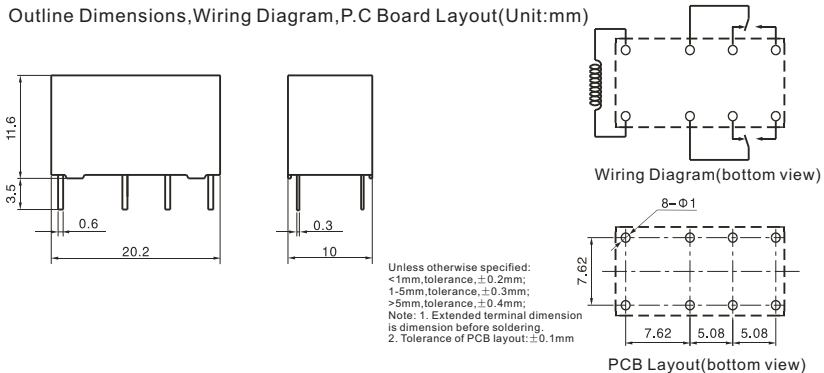
Safety Approval Ratings

Approval	CQC	TUV	UL
Approval ratings	2A 125VAC	1A 120VAC 1A 24VDC	1A 120VAC 2A 30VDC

Ordering Information

Nomenclature
YSV-SS-2 12 D-XX
Special parameter: Nil-Standard type Letter or number-Special requirement
Coil Power: D-0.2W L-0.15W
Coil Voltage: 02,03,05,06,09,12,24
Number of Pole: 1-1 Pole
Protective Construction: SS-Flux proofed SH-Sealed type washable
Type Designation: YSV

Outline Dimensions, Wiring Diagram, P.C Board Layout(Unit:mm)



Note: Specifications and dimensions in this catalog are subjected to change without notice.

### Typical Applications

- Office equipment
- Computer peripherals
- Medical equipment
- Telecommunication equipment
- Security alarm system

### Characteristic Curves

