

Features

- Operating voltage: 2.4V~6.0V
- Very low standby current 0.5 μ A (Typ.)
- High signal-to-noise ratio
- High slew rate
- Output power 330mW at 10% THD+N into 8 Ω
- Excellent power supply ripple rejection
- Low power consumption
- Wide temperature operating range
- Direct drive speaker
- Shutdown function
- 8-pin SOP package

Applications

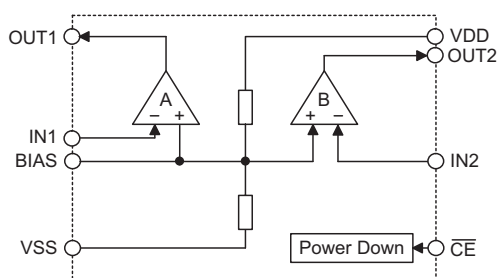
- CD ROM DVD player
- Notebook/Desktop PC
- Portable Audio Device
- Headphone Amplifier
- Microphone Pre-amplifier
- Discman/MP3

General Description

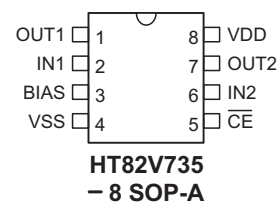
HT82V735 is a class AB stereo earphone driver designed for portable digital audio application. Pin assignments and application circuits are compatible with LM4880 which is suitable for effective low cost applications. The HT82V735 can deliver a maximum of 330mW

Output power to an 8 Ω load with less than 10% (THD+N) from a 5V power supply. The very low standby current in shutdown mode contributes to the reduction of power consumption of battery-powered equipments. It provides 8-SOP package.

Block Diagram



Pin Assignment



Pin Description

Pin No.	Pin Name	I/O	Description
1	OUT1	O	Channel 1 output pin
2	IN1	I	Channel 1 Audio input
3	BIAS	I	Supports a voltage driver for internal bias
4	VSS	—	Negative power supply, ground
5	\overline{CE}	I	Power down mode when held high, I (power down) =1 μ A
6	IN2	I	Channel 2 Audio input
7	OUT2	O	Channel 2 output pin
8	VDD	—	Positive power supply

Absolute Maximum Ratings

Supply Voltage $V_{SS}-0.3V$ to $V_{SS}+6V$ Storage Temperature $-50^{\circ}C$ to $125^{\circ}C$
 Input Voltage $V_{SS}-0.3V$ to $V_{DD}+0.3V$ Operating Temperature $-20^{\circ}C$ to $70^{\circ}C$

Note: These are stress ratings only. Stresses exceeding the range specified under "Absolute Maximum Ratings" may cause substantial damage to the device. Functional operation of this device at other conditions beyond those listed in the specification is not implied and prolonged exposure to extreme conditions may affect device reliability.

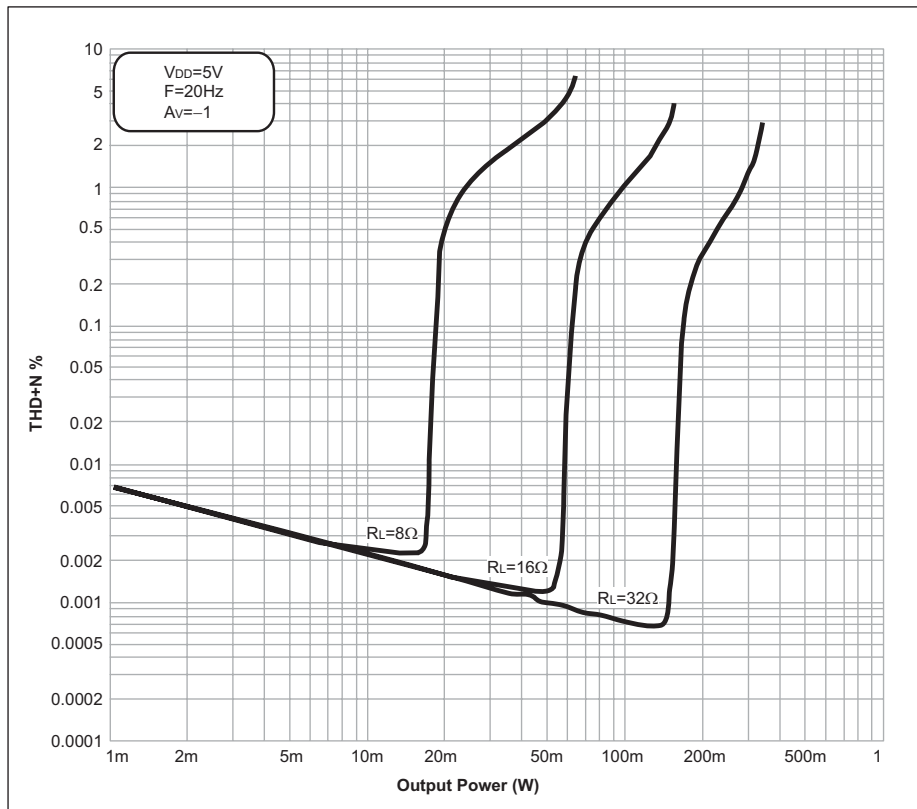
Electrical Characteristics
 $V_{SS}=0V$; $f_i=1kHz$; $R_L=32\Omega$; $T_a=25^{\circ}C$

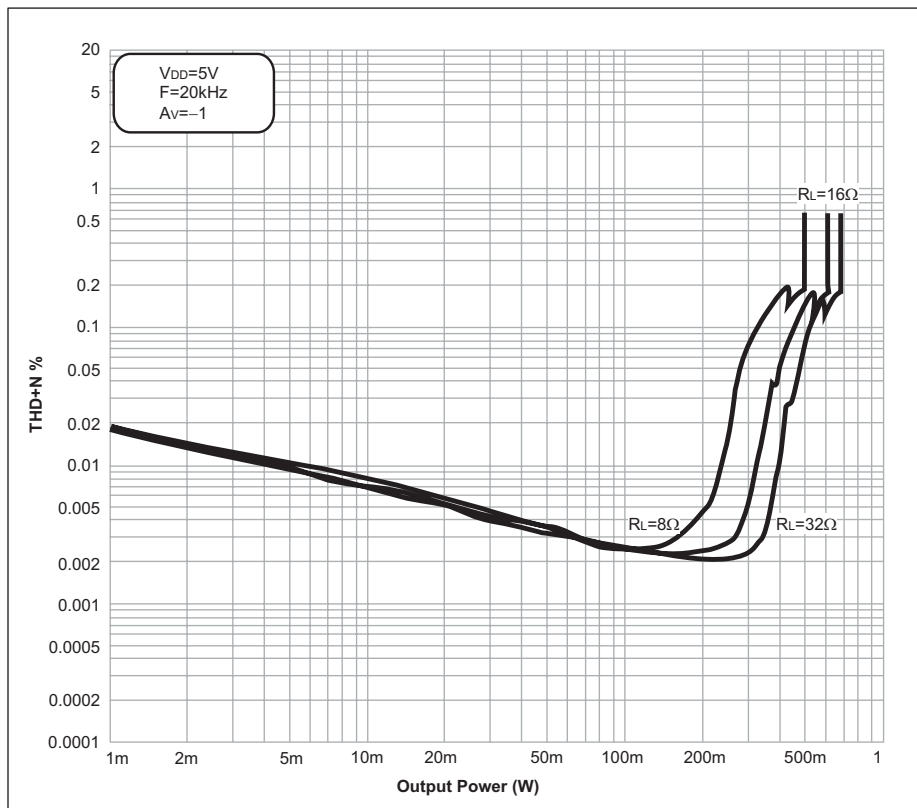
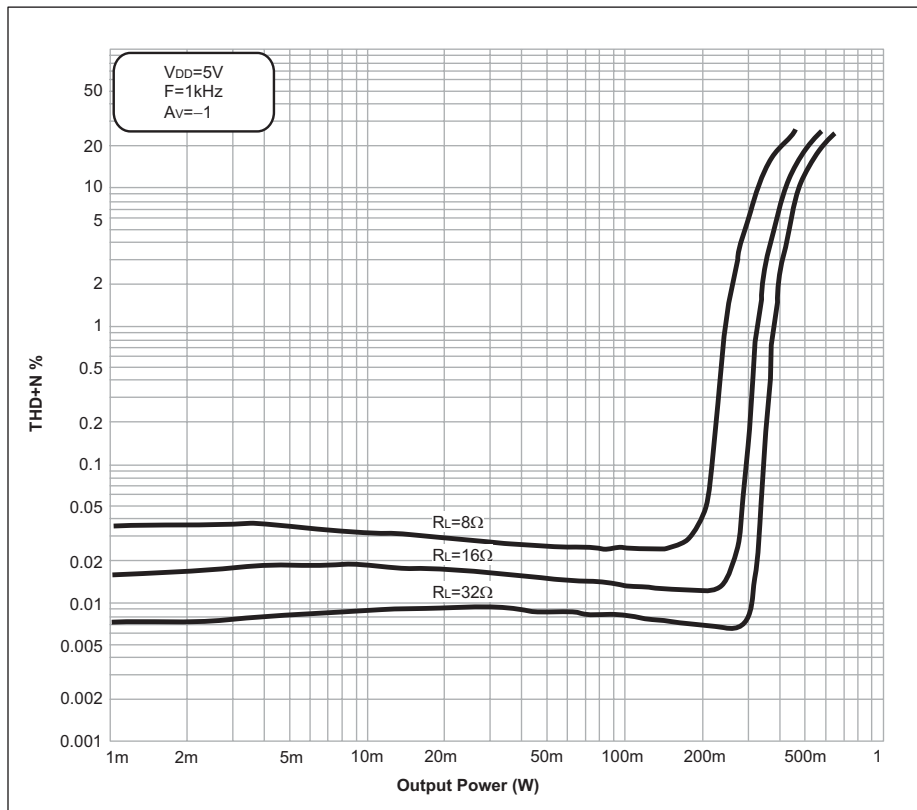
Symbol	Parameter	Test Conditions		Min.	Typ.	Max.	Unit
		V_{DD}	Conditions				
Supplies							
V_{DD}	Supply Voltage	—	—	2.4	—	6	V
I_{DD}	Supply Current	5V	No load	—	10	—	mA
I_{PD}	Power-down Current	5V	—	—	1	—	μA
D.C. Characteristics							
$V_{I(OS)}$	Input Offset Voltage	5V	—	—	10	—	mV
I_O	Maximum Output Current	5V	(THD+N)/S<0.1%	—	62	—	mA
R_O	Output Resistance	5V	—	—	230	—	m Ω
V_O	Output Voltage Swing	5V	$R_L=8\Omega$	0.66	—	3	V
			$R_L=16\Omega$	0.38	—	3.15	V
			$R_L=32\Omega$	0.18	—	3.29	V
PSRR	Power Supply Rejection Ratio	5V	$C_S=2.2\mu F$, $V_{RIPPLE}=200V_{RMS}$, $f=120Hz$	—	66	—	dB
X_{TALK}	Channel Separation	5V	$P_O=200mW$, $R_L=8\Omega$, $C_B=2.2\mu F$	—	85	—	dB
A.C. Characteristics							
(THD+N)/S	Total Harmonic Distortion Plus Noise to Signal Ratio	5V	$P_O=200mW$, $R_L=8\Omega$, $f=1kHz$	—	0.03	—	%
			$P_O=120mW$, $R_L=16\Omega$, $f=1kHz$	—	0.01	—	
			$P_O=75mW$, $R_L=32\Omega$, $f=1kHz$	—	0.01	—	
		3.3V	$P_O=30mW$, $R_L=32\Omega$, $f=1kHz$	—	0.01	—	
P_O	Output Power	5V	(THD+N)/S=0.1%, $f=1kHz$	—	—	—	mW
			$R_L=8\Omega$	—	240	—	
			$R_L=16\Omega$	—	160	—	
			$R_L=32\Omega$	—	90	—	
			(THD+N)/S=10%, $f=1kHz$	—	—	—	
			$R_L=8\Omega$	—	330	—	
			$R_L=16\Omega$	—	200	—	
$R_L=32\Omega$	—	110	—				

Symbol	Parameter	Test Conditions		Min.	Typ.	Max.	Unit
		V _{DD}	Conditions				
S/N	Signal to Noise Ratio	5V	V _{IN} =1V _{RMS} , R _L =8Ω	—	92	—	dB
SR	Slew Rate	5V	—	—	3	—	V/μs
ATT	Power-down Attenuation	5V	1kHz, 0dB	—	70	—	dB

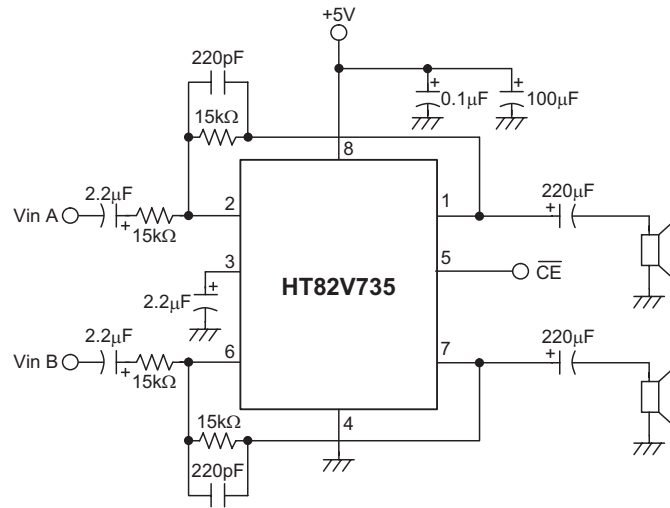
Typical Performance Characteristics

THD+N vs. Output Power



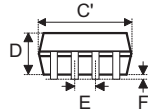
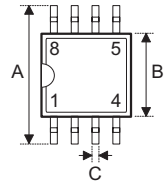


Application Circuits



Package Information

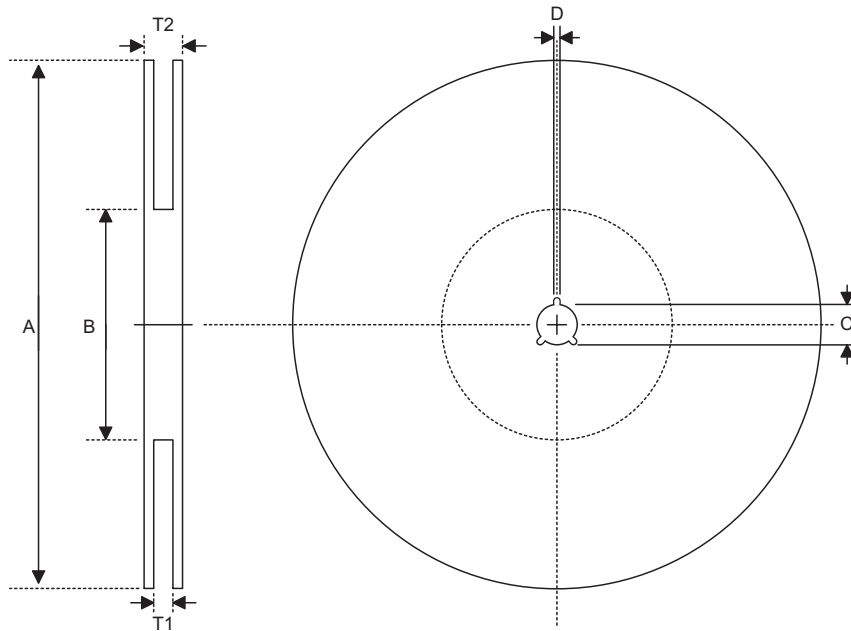
8-pin SOP (150mil) Outline Dimensions



Symbol	Dimensions in mil		
	Min.	Nom.	Max.
A	228	—	244
B	149	—	157
C	14	—	20
C'	189	—	197
D	53	—	69
E	—	50	—
F	4	—	10
G	22	—	28
H	4	—	12
α	0°	—	10°

Product Tape and Reel Specifications

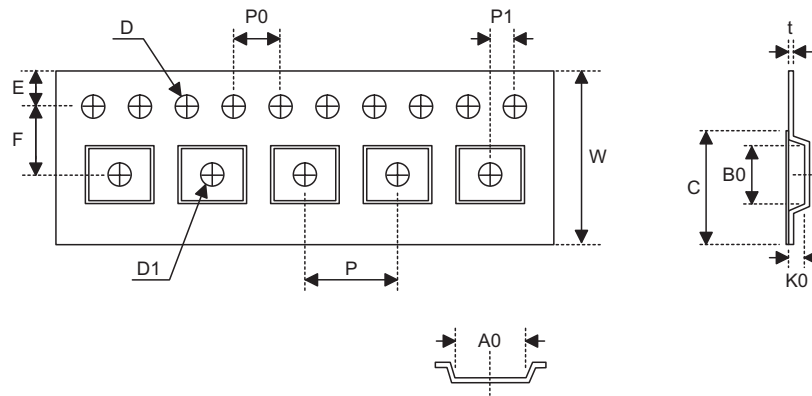
Reel Dimensions



SOP 8N

Symbol	Description	Dimensions in mm
A	Reel Outer Diameter	330±1.0
B	Reel Inner Diameter	62±1.5
C	Spindle Hole Diameter	13.0+0.5 -0.2
D	Key Slit Width	2.0±0.5
T1	Space Between Flange	12.8+0.3 -0.2
T2	Reel Thickness	18.2±0.2

Carrier Tape Dimensions



SOP 8N

Symbol	Description	Dimensions in mm
W	Carrier Tape Width	12.0+0.3 -0.1
P	Cavity Pitch	8.0±0.1
E	Perforation Position	1.75±0.1
F	Cavity to Perforation (Width Direction)	5.5±0.1
D	Perforation Diameter	1.55±0.1
D1	Cavity Hole Diameter	1.5+0.25
P0	Perforation Pitch	4.0±0.1
P1	Cavity to Perforation (Length Direction)	2.0±0.1
A0	Cavity Length	6.4±0.1
B0	Cavity Width	5.20±0.1
K0	Cavity Depth	2.1±0.1
t	Carrier Tape Thickness	0.3±0.05
C	Cover Tape Width	9.3

Copyright © 2004 by HOLTEK SEMICONDUCTOR INC.

The information appearing in this Data Sheet is believed to be accurate at the time of publication. However, Holtek assumes no responsibility arising from the use of the specifications described. The applications mentioned herein are used solely for the purpose of illustration and Holtek makes no warranty or representation that such applications will be suitable without further modification, nor recommends the use of its products for application that may present a risk to human life due to malfunction or otherwise. Holtek's products are not authorized for use as critical components in life support devices or systems. Holtek reserves the right to alter its products without prior notification. For the most up-to-date information, please visit our web site at <http://www.holtek.com.tw>.