

ASJ

DATA SHEET

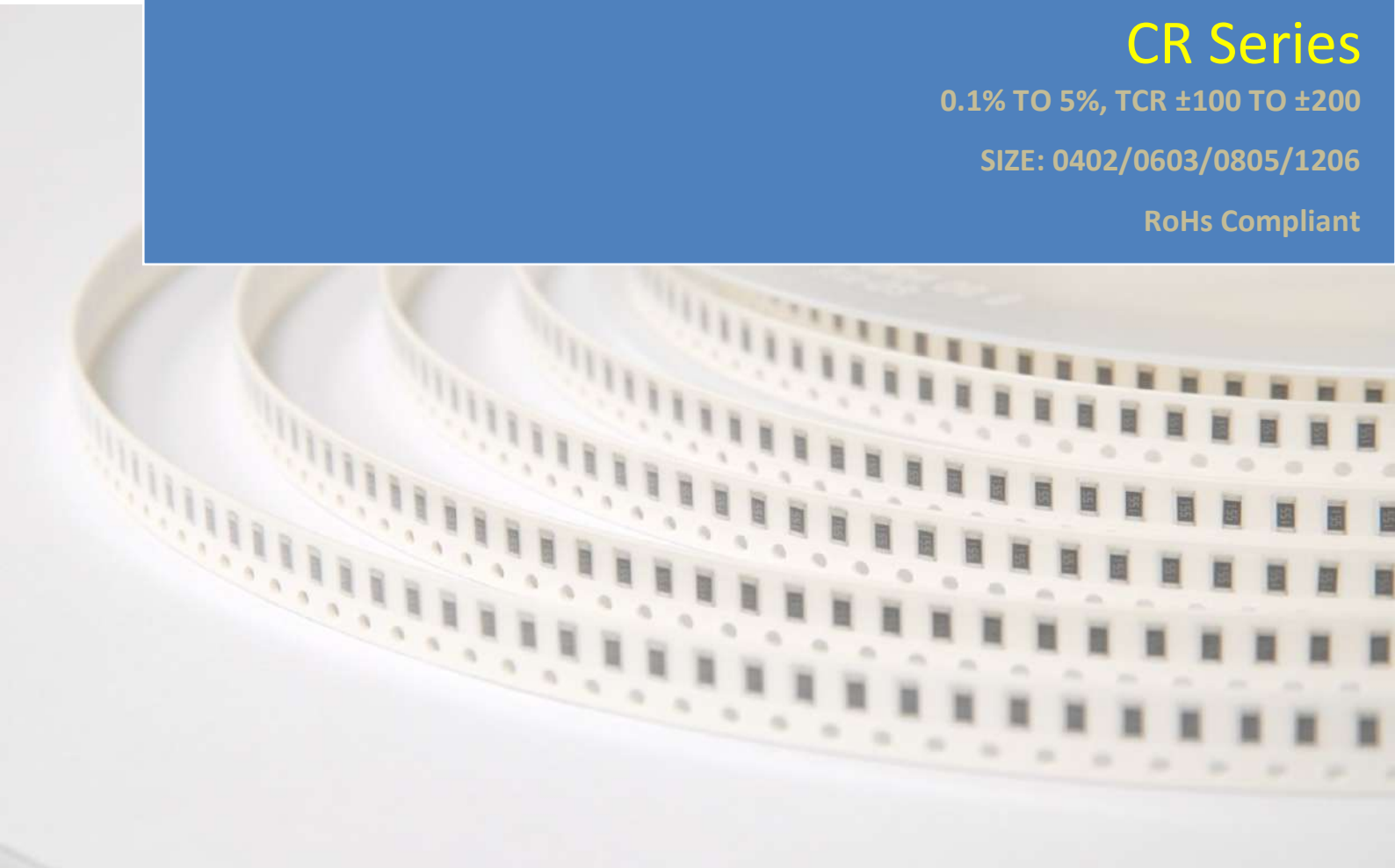
General Purpose Thick Film Chip Resistor

CR Series

0.1% TO 5%, TCR ± 100 TO ± 200

SIZE: 0402/0603/0805/1206

RoHs Compliant



GENERAL PURPOSE THICK FILM CHIP RESISTOR

CR Series

DS-ENG-001

Page: 2 of 20

1. SCOPE

- 1.1 This specification specifies fixed thick film chip resistor (referred to as resistor hereinafter) for use in electronic equipment. In case there are discrepancies in specifications between this specification and the Customer's specifications, the latter shall precede.
- 1.2 The products are tested and passed based on the test conditions and methods defined in AEC-Q200.

2. PART NUMBERING SYSTEM

Part Numbering is made in accordance with the following system:

CR	10	-	XXXX	-	F	K	-	F
Type	Size(Inch/mm)	Nominal Resistance		Resistance Tolerance	Packaging		T.C.R	
General Purpose Thick Film Chip Resistors	10 (0402/1005) 16 (0603/1608) 21 (0805/2012) 32 (1206/3216)	Resistors	3-Digit E24 Series 2.2Ω=2R2 100Ω=101	B=0.1% D=0.5% F=±1% G=±2% J=±5% Z=Zero Ohm	L=5,000 pcs Lead Free K=10,000 pcs Lead Free Y=20,000 pcs Lead Free *N=50,000 pcs Lead Free Remark : *applicable for CR10(0402/1005)	F = ±100ppm (Available for 1R to <10MΩ) (Leave blank for standard)		
			4-Digit E96 Series 10.2Ω=10R2 10KΩ=1002					
		Jumper	000					

3. RATING

3.1 Rated Power

3.1.1 Zero Ohm Jumper Rated Power

	Rated Current	Maximum Working Current	Maximum Overload Current	Resistance Tolerance
CR10	1A	1A	2.5A	< 50m Ω
CR16	2A	2A	5A	< 50m Ω
CR21	2A	2A	5A	< 50m Ω
CR32	2A	2A	5A	< 50m Ω

3.1.2 Resistor Rated Power

	Rated Power	Maximum Working Voltage	Maximum Overload Voltage	Maximum Intermittent Overload Voltage	Dielectric Withstanding Voltage
CR10	1/16W	50V	100V	100V	300V
CR16	1/10W	50V	100V	100V	300V
CR21	1/8W	150V	300V	300V	500V
CR32	1/4W	200V	400V	400V	500V



Product Specification

Towards Excellence in Quality, Service & Innovation

GENERAL PURPOSE THICK FILM CHIP RESISTOR

CR Series

DS-ENG-001

Page: 3 of 20

3.2 Power Derating Characteristics

Rated Power shall be the load power corresponding to nominal wattage suitable for continuous use at 70°C ambient temperatures. In case the ambient temperature exceeds 70°C, reduce the load power in accordance with Derating curve in Fig. 1.

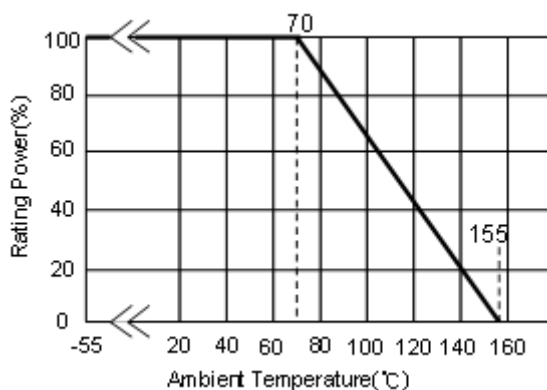


Fig.1 Power Derating Characteristics

3.3 Standard Atmospheric Condition

Unless otherwise specified, the standard range of atmospheric conditions for making measurements and tests is as follows:

Ambient Temperature = + 5°C to +35°C

Relative Humidity = < 85% RH

Air Pressure = 86 kPa to 106kPa

If there may be any doubt about the results, measurement shall be made within the following limits:

Ambient Temperature = $20 \pm 2^\circ\text{C}$

Relative Humidity = 60 to 70% RH

Air Pressure = 86 kPa to 106kPa

3.4 Operating Temperature Range -55°C to +155°C

3.4 Storage Temperature Range -5°C to + 40°C / < 85% RH

3.6 Flammability Rating Tested in accordance to UL-94, V-0

3.7 Moisture Sensitivity Level Rating: Level 1

3.8 Product Assurance ASJ resistor shall warranty 24 months from the date of shipment.

3.9 ASJ resistors are RoHS compliance in accordance to RoHS Directive.

GENERAL PURPOSE THICK FILM CHIP RESISTOR

CR Series

DS-ENG-001

Page: 4 of 20

3.10 Resistance, Resistance Tolerance and Temperature Coefficient of Resistance.

Type	Rated Power at 70°C	Max. Working Voltage	Max. Overload Voltage	T.C.R (ppm/°C)	Resistance Range			
					B(±0.1%) E-24, E-96	D(±0.5%) E-24, E-96	F(±1%) E-24 E-96	G(±2%) J(±5%) E-24
CR10 (0402)	$\frac{1}{16}$ W	50V	100V	±100	$100\Omega \leq R < 1M\Omega$	$10\Omega \leq R < 1M\Omega$	$10\Omega \leq R < 1M\Omega$	$10\Omega \leq R < 1M\Omega$
				±200	-----	$1\Omega \leq R < 10\Omega$	$1\Omega \leq R < 10\Omega$	$1M\Omega \leq R < 10M\Omega$
CR16 (0603)	$\frac{1}{10}$ W	50V	100V	±100	$100\Omega \leq R < 1M\Omega$	$10\Omega \leq R < 1M\Omega$	$10\Omega \leq R < 1M\Omega$	$10\Omega \leq R < 1M\Omega$
				±200	-----	$1\Omega \leq R < 10\Omega$	$1\Omega \leq R < 10\Omega$	$1M\Omega \leq R < 10M\Omega$
CR21 (0805)	$\frac{1}{8}$ W	150V	300V	±100	$100\Omega \leq R < 1M\Omega$	$10\Omega \leq R < 1M\Omega$	$10\Omega \leq R < 1M\Omega$	$10\Omega \leq R < 1M\Omega$
				±200	-----	$1\Omega \leq R < 10\Omega$	$1\Omega \leq R < 10\Omega$	$1M\Omega \leq R < 10M\Omega$
CR32 (1206)	$\frac{1}{4}$ W	200V	400V	±100	$10\Omega \leq R < 1M\Omega$	$10\Omega \leq R < 1M\Omega$	$10\Omega \leq R < 1M\Omega$	$10\Omega \leq R < 1M\Omega$
				±200	$3\Omega \leq R < 10\Omega$	$1\Omega \leq R < 10\Omega$	$1\Omega \leq R < 10\Omega$	$1M\Omega \leq R < 10M\Omega$

Zero Ohm Jumper < 50mΩ (Z, 5%)

3.11 Rated Voltage

The rated voltage is calculated from the rated power and nominal resistance by the following formula:

$$E = \sqrt{P \cdot R}$$

Where E : Rated Voltage (V)
 P : Rated Power (W)
 R : Nominal Resistance (Ω)

In case the value calculated by the formula exceeds the maximum working voltage given in Section 3.1.2, the maximum working voltage in Section 3.1.2 shall be regarded as the rated voltage.

3.12 All product, product specifications and data are subject to change without notice to improve reliability, function or design or otherwise.



Product Specification

Towards Excellence in Quality, Service & Innovation

GENERAL PURPOSE THICK FILM CHIP RESISTOR

CR Series

DS-ENG-001

Page: 5 of 20

4. MARKING ON PRODUCT

The nominal resistance shall be marked on the surface of each resistor

Part Number	Color	Marking on Product
CR10 (0402)	-	No marking
CR16 (0603)	Light Yellow	1) Tolerance : $\pm 1.0\%$ (F) ◦ Four Numerals Marking (E96 Series) ◦ 0603 Three Characters Marking based on E-96 marking standard. 2) Tolerance; $\pm 2.0\%$ (G), $\pm 5.0\%$ (J) Three Numerals Marking 3) Zero ohm jumper resistor The marking used shall be 0
CR21 (0805)	Light Yellow	
CR32 (1206)	Light Yellow	

4.1 Numeric Numbering

4.1.1 5% Tolerance: **Three Numerals Marking**

First 2 digits are significant figures; third digit is number of zeros. Letter R is decimal point.

Example

Nominal Resistance	Marking	Remarks
1 Ω	1R0	$1 \times 10^0 = 1$
10 Ω	100	$10 \times 10^0 = 10$
100 Ω	101	$10 \times 10^1 = 100$
4.7K Ω	472	$47 \times 10^2 = 4700$
47K Ω	473	$47 \times 10^3 = 47000$
470K Ω	474	$47 \times 10^4 = 470000$
4.7M Ω	475	$47 \times 10^5 = 4700000$

4.1.2 1% Tolerance : **Four Numerals Marking**

First 3 digits are significant figures; fourth digit is number of zeros.

Examples:

Nominal Resistance	Marking	Remarks
1 Ω	1R00	$1 \times 10^0 = 1$
10 Ω	10R0	$10 \times 10^0 = 10$
100 Ω	1000	$100 \times 10^0 = 100$
4.7K Ω	4701	$470 \times 10^1 = 4700$
47K Ω	4702	$470 \times 10^2 = 47000$
470K Ω	4703	$470 \times 10^3 = 470000$
1M Ω	1004	$100 \times 10^4 = 1000000$

GENERAL PURPOSE THICK FILM CHIP RESISTOR

CR Series

DS-ENG-001

Page: 6 of 20

4.1.3 0603 1% Tolerance: **Three Character E-96 Marking Standard.**

The first 2 digits for the 3 digits E-96 part marking standard, (Refer Table 2 & 3).

The third character is a letter multiplier:

Nominal resistance	Marking	Remark
33.2 Ω	51 X	332 X $10^{-1} \Omega$
150 Ω	18 A	150 X $10^0 \Omega$
4.99K Ω	68 B	499 X $10^1 \Omega$
1 0.2K Ω	02 C	102 X $10^2 \Omega$
100K Ω	01 D	100 X $10^3 \Omega$

4.1.3.1 EIA-96 Marking Scheme

Table 2 Significant figures

Significant Figures	Symbol	Significant Figures	Symbol	Significant Figures	Symbol	Significant Figures	Symbol
100	01	178	25	316	49	562	73
102	02	182	26	324	50	576	74
105	03	187	27	332	51	590	75
107	04	191	28	340	52	604	76
110	05	196	29	348	53	619	77
113	06	200	30	357	54	634	78
115	07	205	31	365	55	649	79
118	08	210	32	374	56	665	80
121	09	215	33	383	57	681	81
124	10	221	34	392	58	698	82
127	11	226	35	402	59	715	83
130	12	232	36	412	60	732	84
133	13	237	37	422	61	750	85
137	14	243	38	432	62	768	86
140	15	249	39	442	63	787	87
143	16	255	40	453	64	806	88
147	17	261	41	464	65	825	89
150	18	267	42	475	66	845	90
154	19	274	43	487	67	866	91
158	20	280	44	499	68	887	92
162	21	287	45	511	69	909	93
165	22	294	46	523	70	931	94
169	23	301	47	536	71	953	95
174	24	309	48	549	72	976	96

GENERAL PURPOSE THICK FILM CHIP RESISTOR

CR Series

DS-ENG-001

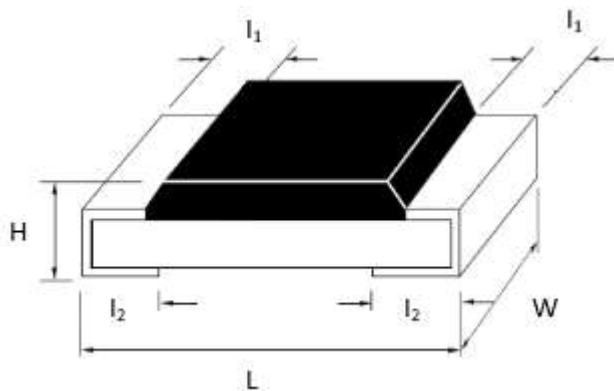
Page: 7 of 20

Table 3 Multiplier

Symbol	Multiplier	Symbol	Multiplier
A	10^0	G	10^6
B	10^1	H	10^7
C	10^2	X	10^{-1}
D	10^3	Y	10^{-2}
E	10^4		
F	10^5		

5. DIMENSIONS, CONSTRUCTIONS AND MATERIALS

5.1 Dimensions



Unit: Inches (Millimeters)

CODE	L	W	H	l ₁	l ₂
CR10 (0402)	0.040±0.004 (1.00±0.10)	0.020±0.002 (0.50±0.05)	0.014±0.002 (0.35±0.05)	0.008±0.004 (0.20±0.10)	0.010±0.004 (0.25±0.10)
CR16 (0603)	0.063±0.004 (1.60±0.10)	0.031±0.004 (0.80±0.10)	0.018±0.004 (0.45±0.10)	0.012±0.008 (0.30±0.20)	0.012±0.008 (0.30±0.20)
CR21 (0805)	0.079±0.006 (2.00±0.15)	0.049±0.004 (1.25±0.10)	0.020±0.004 (0.50±0.10)	0.016±0.008 (0.40±0.20)	0.016±0.008 (0.40±0.20)
CR32 (1206)	0.122±0.004 (3.10±0.10)	0.063±0.006 (1.60±0.15)	0.022±0.002 (0.55±0.05)	0.020±0.010 (0.50±0.25)	0.020±0.010 (0.50±0.25)



Product Specification

Towards Excellence in Quality, Service & Innovation

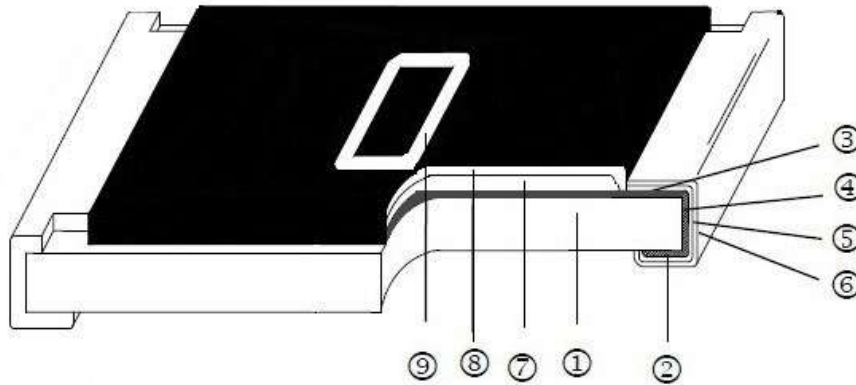
GENERAL PURPOSE THICK FILM CHIP RESISTOR

CR Series

DS-ENG-001

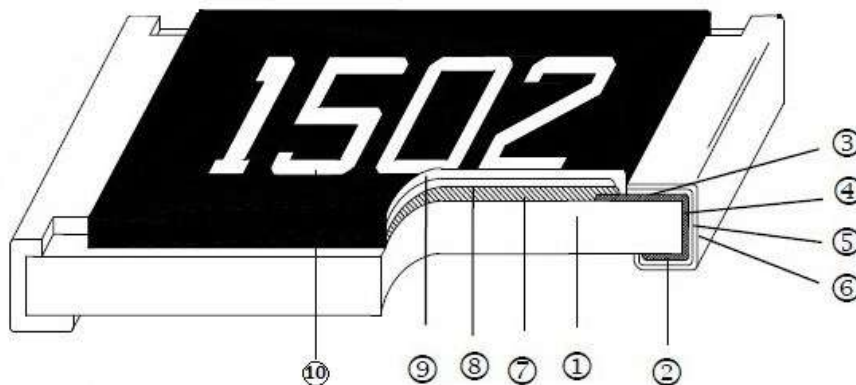
Page: 8 of 20

5.2 Zero Ohm Construction



1	ALUMINA SUBSTRATE	6	PURE TIN PLATING
2	BOTTOM CONDUCTOR	7	OVERGLAZE
3	TOP CONDUCTOR	8	OVERCOAT
4	SPUTTERING EDGE TERMINAL	9	MARKING (CR10 No Marking)
5	NIKEL PLATING		

5.3 Resistor Construction



1	ALUMINA SUBSTRATE	6	PURE TIN PLATING
2	BOTTOM CONDUCTOR	7	RESISTOR
3	TOP CONDUCTOR	8	OVERGLAZE
4	SPUTTERING EDGE TERMINAL	9	OVERCOAT
5	NIKEL PLATING	10	MARKING (CR10 No Marking)

GENERAL PURPOSE THICK FILM CHIP RESISTOR

CR Series

DS-ENG-001

Page: 9 of 20

6. ELECTRICAL CHARACTERISTICS AND TEST CONDITIONS

CHARACTERISTICS		SPECIFICATIONS		TESTING CONDITIONS														
		Zero Ohm	Resistance															
1	Resistance Value	≤ 50 mΩ For 5% (Z)	Resistance accuracy being fully relies with respect to tolerance of resistor.	<p>JIS C 5201-1 4.5 Application time to be within 5 secs.</p> <p>Applied Voltage for resistance measurement:</p> <table border="1"> <tr> <td><10Ω</td> <td>0.1V</td> </tr> <tr> <td>10 ~ 99Ω</td> <td>0.3V</td> </tr> <tr> <td>100 ~ 999</td> <td>1.0V</td> </tr> <tr> <td>1k ~ 9.9k</td> <td>3.0 V</td> </tr> <tr> <td>10k ~ 99.9k</td> <td>10.0 V</td> </tr> <tr> <td>100k ~ 999k</td> <td>25.0 V</td> </tr> <tr> <td>1M & Over</td> <td>50.0 V</td> </tr> </table>	<10Ω	0.1V	10 ~ 99Ω	0.3V	100 ~ 999	1.0V	1k ~ 9.9k	3.0 V	10k ~ 99.9k	10.0 V	100k ~ 999k	25.0 V	1M & Over	50.0 V
<10Ω	0.1V																	
10 ~ 99Ω	0.3V																	
100 ~ 999	1.0V																	
1k ~ 9.9k	3.0 V																	
10k ~ 99.9k	10.0 V																	
100k ~ 999k	25.0 V																	
1M & Over	50.0 V																	
2	Resistance Temperature Coefficient	NA	Refer Section 3.10 Table 1	<p>MIL-STD-202 Method 304 Measure R at t₀=25°C and after 45 minutes measure R at t=125°C. <i>Calculation :</i> $TCR(ppm/^{\circ}C) = \frac{R-R_0}{R_0(t-t_0)} \times 10^6$</p>														
3	Voltage Coefficient (Applicable for > 1kΩ only)	NA	Voltage coefficient ≤ 100ppm/V	<p>JIS C 5201-1 4.11 Measured resistance R₂ at 100%V rated voltage or the limiting element voltage (> 0.5s in every 5s) and R₁ 10% V (4.5s)</p> <p><i>Calculation :</i> $V_c = \frac{R_2 - R_1}{0.9 \times U \times R_1}$</p>														
4	Short Time Overload	≤ 50 mΩ For 1% and 5% tolerance resistor	± 0.5% for 1% tolerance resistor ± 1.0% for 5% tolerance resistor	<p>JIS C 5201-1 4.13 Apply at 2.5 times rated voltage for 5 seconds. Applied voltage shall not exceed maximum overload voltage or current.</p>														



Product Specification

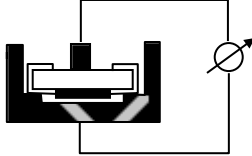
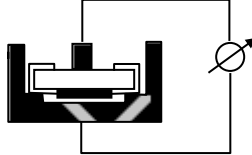
Towards Excellence in Quality, Service & Innovation

GENERAL PURPOSE THICK FILM CHIP RESISTOR

CR Series

DS-ENG-001

Page: 10 of 20

5	Insulation Resistance	> 10G Ω		<p>JIS C 5201-1 4.6 Apply (100 ±15) Vdc for 1 minute. Measured the insulation resistance between electrodes and insulating enclosure or between electrodes and base.</p> 														
6	Dielectric Withstanding Voltage	No failure of resistor such as short-circuit, burning, breakdown.		<p>JIS C 5201-1 4.7 Apply 500Vac for 1 minute ± 5secs. for chip ≥ 0805. Apply 300Vac for 1 minute ± 5secs. for chip 0402 & 0603 Apply 50Vac for 1 minute ± 5secs for 0201</p> 														
		≤ 50 mΩ For 1% & 5% tolerance resistor	± (1%+0.05Ω) for 1% & 5% tolerance resistor	<p>The variation in relation to the initial resistance shall be within ± 1%.</p>														
7	Intermittent Overload	≤ 100mΩ For 1% & 5% tolerance resistor	±(5%+0.1Ω) for 1% & 5% tolerance resistor	<p>JIS C 5201-1 4.13 Apply 2.5 times rated voltage for 1 secs ON and 25 secs OFF. Total 10,000⁺⁴⁰⁰₋₀ cycles. Applied voltage/current shall not exceed maximum intermittent overload voltage/ current. IEC 60115-1 4.39 2.5 times of rated voltage or maximum overload voltage whichever is less for 1 sec ON and 25 secs OFF. Total 10,000⁺⁴⁰⁰₋₀ cycles.</p>														
8	Noise	NA	<table border="0"> <tr><td>1 ~ 9</td><td>-10dB(0.32μv/v)</td></tr> <tr><td>10 ~ 99</td><td>- 5 dB(0.52μv/v)</td></tr> <tr><td>100 ~ 999</td><td>0 dB(1.0μv/v)</td></tr> <tr><td>1k ~ 9.9k</td><td>10 dB(3.2μv/v)</td></tr> <tr><td>10k ~ 99.9k</td><td>18 dB(5.6μv/v)</td></tr> <tr><td>100k ~ 999.9k</td><td>20 dB(10μv/v)</td></tr> <tr><td>>1M</td><td>30 dB(32μv/v)</td></tr> </table>	1 ~ 9	-10dB(0.32μv/v)	10 ~ 99	- 5 dB(0.52μv/v)	100 ~ 999	0 dB(1.0μv/v)	1k ~ 9.9k	10 dB(3.2μv/v)	10k ~ 99.9k	18 dB(5.6μv/v)	100k ~ 999.9k	20 dB(10μv/v)	>1M	30 dB(32μv/v)	<p>JIS C 5201-1 4.12 V₀(dB) = T-f(T-S)-D</p>
1 ~ 9	-10dB(0.32μv/v)																	
10 ~ 99	- 5 dB(0.52μv/v)																	
100 ~ 999	0 dB(1.0μv/v)																	
1k ~ 9.9k	10 dB(3.2μv/v)																	
10k ~ 99.9k	18 dB(5.6μv/v)																	
100k ~ 999.9k	20 dB(10μv/v)																	
>1M	30 dB(32μv/v)																	



Product Specification

Towards Excellence in Quality, Service & Innovation

GENERAL PURPOSE THICK FILM CHIP RESISTOR

CR Series

DS-ENG-001

Page: 11 of 20

9	<p>Terminal Strength</p> <p>A) Bend Test (Applicable for chip size smaller than 1210)</p> <p>B) Pull Test (Applicable for chip size bigger than 0805)</p> <p>C) Push Test (Applicable for chip size bigger than 0805)</p> <p>D) Robustness test</p>	<p>$\leq 50m\Omega$ For 1% & 5% tolerance resistor</p>	<p>Tolerance resistor. With no evidence of mechanical damage after releasing the pressure.</p> <p>$\pm (0.5\%+ 0.05\Omega)$ for 1% & 5%</p> <p>$\pm 1\%$ for 1% & 5%</p> <p>$\pm (1.0\%+0.05\Omega)$ for 1% & 5%</p> <p>After reading/initial reading $\geq 5N$</p>	<p>JIS C 5201-1 4.16 / AEC Q200-005</p> <p>AEC Q200-005 Board Flex : Apply force till 2mm bend and hold for 60 ± 5 secs. Measure resistance while applying pressure.</p> <p>JIS C 5201-1 4.16.2 Pull Test : Apply 0.5kgF for 30 sec</p> <p>AEC Q200-006 Push Test : Apply 1.8kgF for 60 ± 1secs</p> <p>Component mounted on board precondition using steam aging for 4 hour. Initial reading = Force required to break away components mounted on board. After Reading = Force required to break away components mounted on board after preconditioned.</p>
10	<p>Resistance to soldering heat</p>	<p>$\leq 50m\Omega$ For 1% & 5% tolerance resistor</p>	<p>$\pm (0.5\%+0.05\Omega)$ for 1% & 5% tolerance resistor</p>	<p>MIL-STD-202 Method 210 Solder bath method Resistor dipped entirely in solder bath of $260 \pm 5^\circ C$ for $10 \pm 1_0$ sec. After which the sample shall be left at ambient temperature for 1~ 2 hrs before measurement.</p>
11	<p>Solderability</p>	<p>$\geq 95\%$ Coverage at all terminal</p>	<p>J-STD-002 For both Leaded & SMD. Electrical test not required. Magnification 50 X. Conditions: Leaded: Method A @ $235^\circ C$, category 3. SMD: a) Method B, 4 hrs @ $155^\circ C$ dry heat @ $235^\circ C$ b) Method B @ $215^\circ C$ category 3. c) Method D category 3 @ $260^\circ C$.</p>	



Product Specification

Towards Excellence in Quality, Service & Innovation

GENERAL PURPOSE THICK FILM CHIP RESISTOR

CR Series

DS-ENG-001

Page: 12 of 20

12	Resistance to Solvent	$\leq 50\text{m}\Omega$ For 1% & 5% tolerance resistor	Passed without any damaged to marking & protective material.	MIL-STD-202 Method 215 Immerse in $25^{\circ}\text{C} \pm 5^{\circ}\text{C}$ Isopropyl Alcohol (IPA) for 3 ± 0.5 minutes.
13	High Temperature	$\leq 100\text{m}\Omega$ For 1% & 5% tolerance resistor	$\pm (0.5\%+0.05\Omega)$ for 1% tolerance resistor $\pm (1\%+0.05\Omega)$ for 5% tolerance resistor	MIL-STD-202 Method 108 1000 hours @ $T = 125^{\circ}\text{C}$. Unpowered measurement at 24 ± 2 hours after test conclusion.
14	Temperature Cycling	$\leq 50\text{m}\Omega$ For 1% & 5% tolerance resistor	$\pm (0.5\%+0.05\Omega)$ for 1% tolerance resistor $\pm (1\%+0.05\Omega)$ for 5% tolerance resistor	JESD 22 Method JA-104 1000 cycles (-55°C to 125°C) measurement at 24 ± 2 hours after test conclusion.
15	Resistance to damp Heat (Humidity)	$\leq 100\text{m}\Omega$ For 1% & 5% tolerance resistor	$\pm (1\%+0.1\Omega)$ for 1% & 5% tolerance resistor	JIS-C5201-1 4.24 Put the tested resistor in the chamber under temperature $40 \pm 2^{\circ}\text{C}$, relative humidity 90~95% and load the rated voltage for 90 minutes on, 30 minutes off, total 1000 hours. Then leaving the tested resistor in room temperature for 60 minutes, and measure its resistance variance rate.
16	Load life	$\leq 100\text{m}\Omega$ For 1% & 5% tolerance resistor	$\pm (1.0\%+0.05\Omega)$ for 1% tolerance resistor $\pm (2.0\%+0.1\Omega)$ for 5% tolerance resistor	MIL-STD-202 Method 108 At $70 \pm 3^{\circ}\text{C}$ Apply DC rated voltage at 90minutes On, 30minutes Off for 1000_{-0}^{+48} hours Sample shall be left at ambient temperature for 1~ 2 hrs after test before measuring final resistance.
17	Salt Spray	$\leq 50\text{m}\Omega$ For 1% & 5% tolerance resistor	$\pm (3\%+0.1\Omega)$ for 1% & 5% tolerance resistor	MIL-STD-202 Method 101 Spray 5 ± 1 Wt% salt water for 96 ± 4 hours at $35 \pm 2^{\circ}\text{C}$
18	Mounting Quality Test	$\leq 50\text{m}\Omega$ For 1% & 5% tolerance resistor	Visual check for solder joint wetting condition, resistor body damages	JESD22-B102E Solder Paste: Sn-3Ag-0.5Cu Reflow soldering method Peak : $250_{-0}^{+5} \text{ }^{\circ}\text{C}$ and $230 \pm 5^{\circ}\text{C}$ for 60sec



GENERAL PURPOSE THICK FILM CHIP RESISTOR

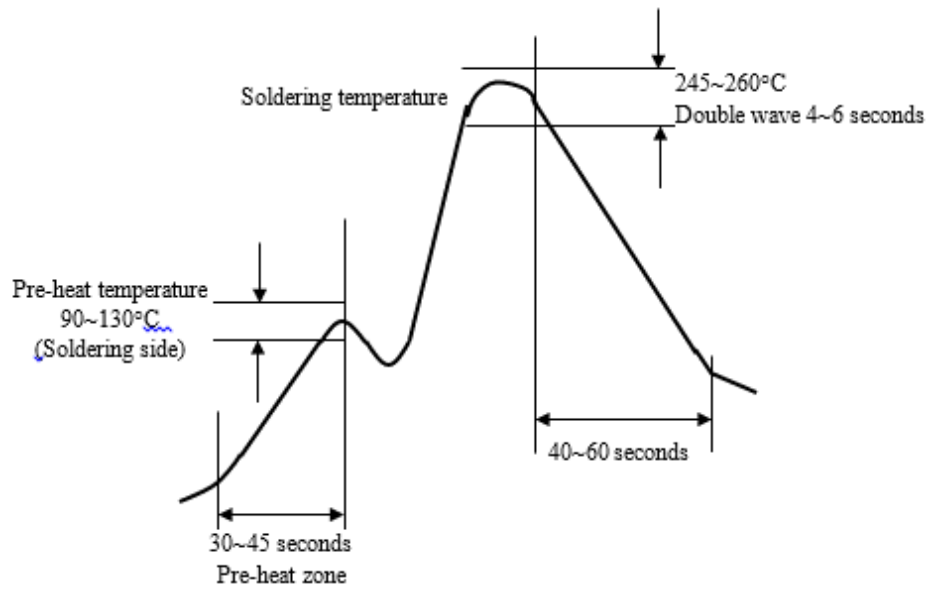
CR Series

DS-ENG-001

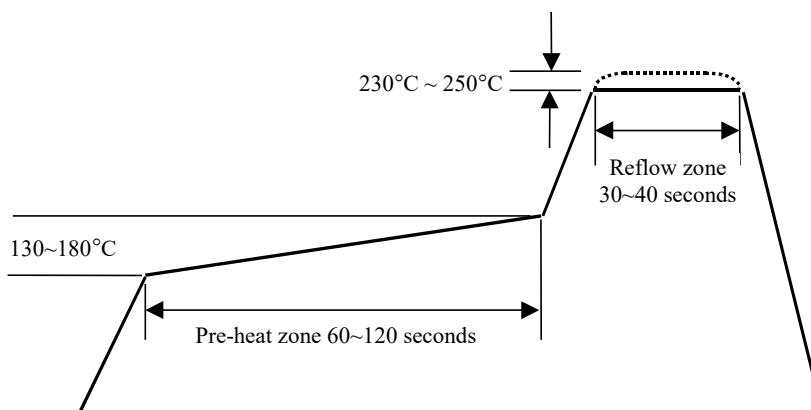
Page: 13 of 20

6.1 Soldering Profile

6.1.1 Wave Soldering



6.1.2 Reflow Soldering



6.1.3 Soldering Iron: temperature 350°C±10°C, dwell time shall be less than 3 sec



Product Specification

Towards Excellence in **Quality, Service & Innovation**

GENERAL PURPOSE THICK FILM CHIP RESISTOR

CR Series

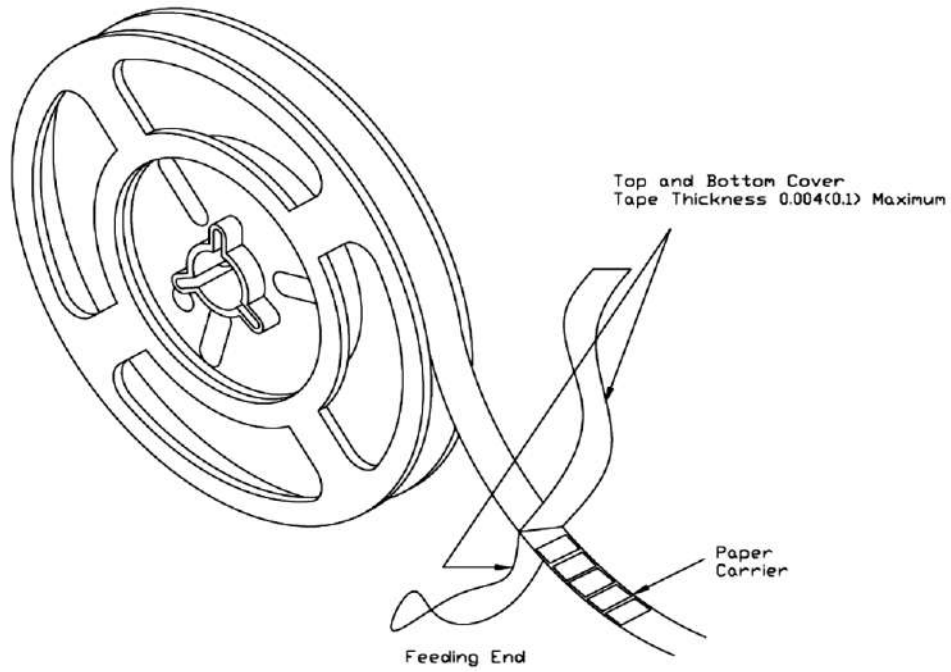
DS-ENG-001

Page: 14 of 20

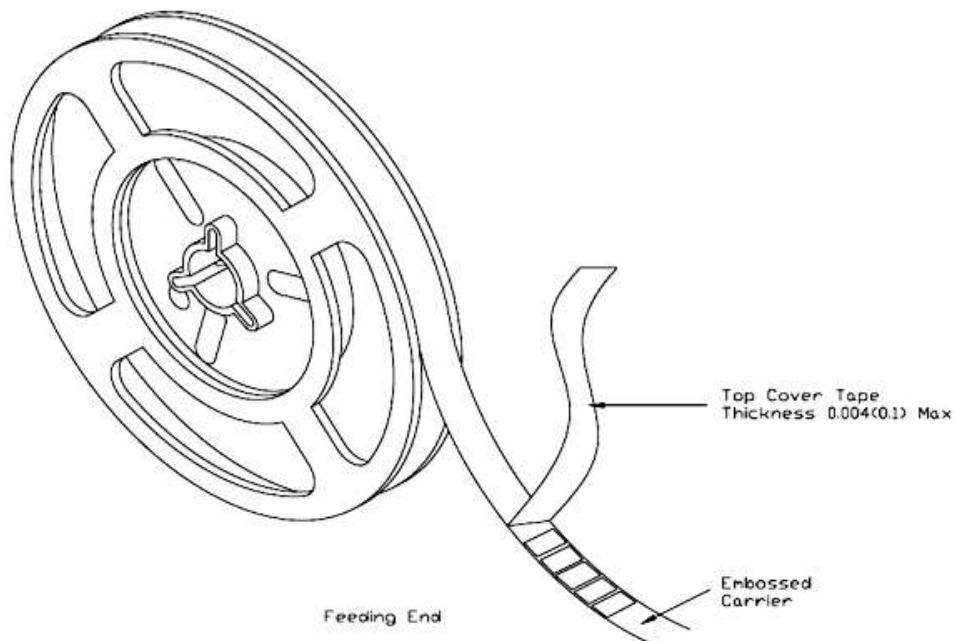
7. TAPING

7.1 Structure of Taping

Paper Carrier



Embossed Plastic Carrier



GENERAL PURPOSE THICK FILM CHIP RESISTOR

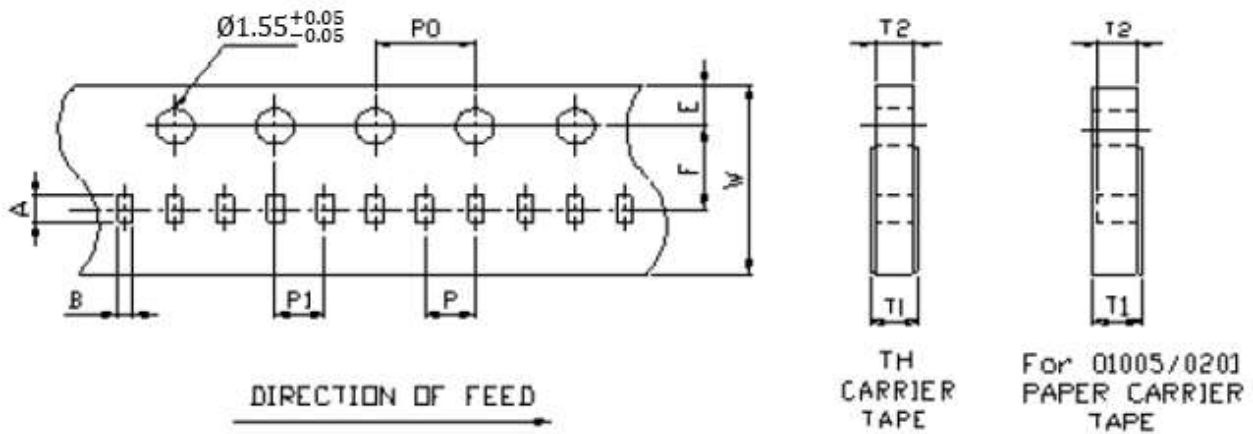
CR Series

DS-ENG-001

Page: 15 of 20

7.2 Dimension

7.2.1 Dimension of Punched Paper Tape Carrier System (CR -03, 05, 10)



Remark: Pitch tolerance over any 10 pitches of P_0 is ± 0.2 mm

Dimension of Punched Paper Tape Carrier System (CR-03, 05, 10)

(unit : mm)

Code	A	B	W	E	F	T1
CR10	1.15 ± 0.03	0.65 ± 0.03	8.00 ± 0.10	1.75 ± 0.10	3.50 ± 0.05	$0.42^{+0.2}_{-0}$

Code	T2	P	P0	10xP0	P1
CR10	$0.42^{+0.03}_{-0.03}$	2.00 ± 0.05	4.00 ± 0.10	40.0 ± 0.20	2.00 ± 0.05



Product Specification

Towards Excellence in **Quality, Service & Innovation**

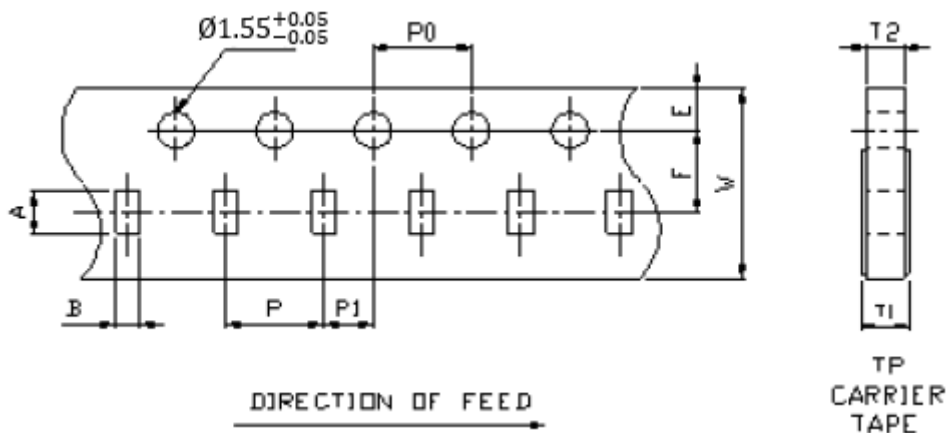
GENERAL PURPOSE THICK FILM CHIP RESISTOR

CR Series

DS-ENG-001

Page: 16 of 20

7.2.2 Dimension of Punched Paper Tape Carrier System /Plastic Embossed Carrier System (CR16, 21, 32, 40)



Remark : Pitch tolerance over any 10 pitches of P_0 is ± 0.2 mm

Dimension of Punched Paper Tape Carrier System (CR - 16, 21, 32, 40)

Code	A	B	W	E	F	T1	T2	P	P0	P1
CR16	1.8±0.10	1.0±0.10	8.0±0.10	1.75±0.10	3.50±0.05	0.60 ^{+0.2} ₀	0.60 ^{+0.03} _{-0.03}	4.0±0.05	4.0±0.10	2.0±0.05
CR21	2.33±0.05	1.58±0.05	8.0±0.10	1.75±0.10	3.50±0.05	0.75±0.2	0.75±0.03	4.0±0.05	4.0±0.10	2.0±0.05
CR32	3.30±0.05	1.90±0.05	8.0±0.10	1.75±0.10	3.50±0.05	0.75±0.2	0.75±0.03	4.0±0.05	4.0±0.10	2.0±0.05
CR40	3.5±0.2	2.8±0.2	8.0±0.20	1.75±0.10	3.50±0.05	0.75±0.2	0.75±0.1	4.0±0.10	4.0±0.05	2.0±0.05

7.3 Packaging

7.3.1 Taping

7.3.2 Quantity – Tape and Reels

Code	Quantity	Model	Remarks
CR10	10,000 pcs	7" Reel	2mm pitch
	20,000 pcs	7" Reel	2mm pitch
	50,000 pcs	13" Reel	2mm pitch
CR16	5,000 pcs	7" Reel	4mm pitch
CR21	10,000 pcs	10" Reel	4mm pitch
CR32	20,000 pcs	13" Reel	4mm pitch



Product Specification

Towards Excellence in Quality, Service & Innovation

GENERAL PURPOSE THICK FILM CHIP RESISTOR

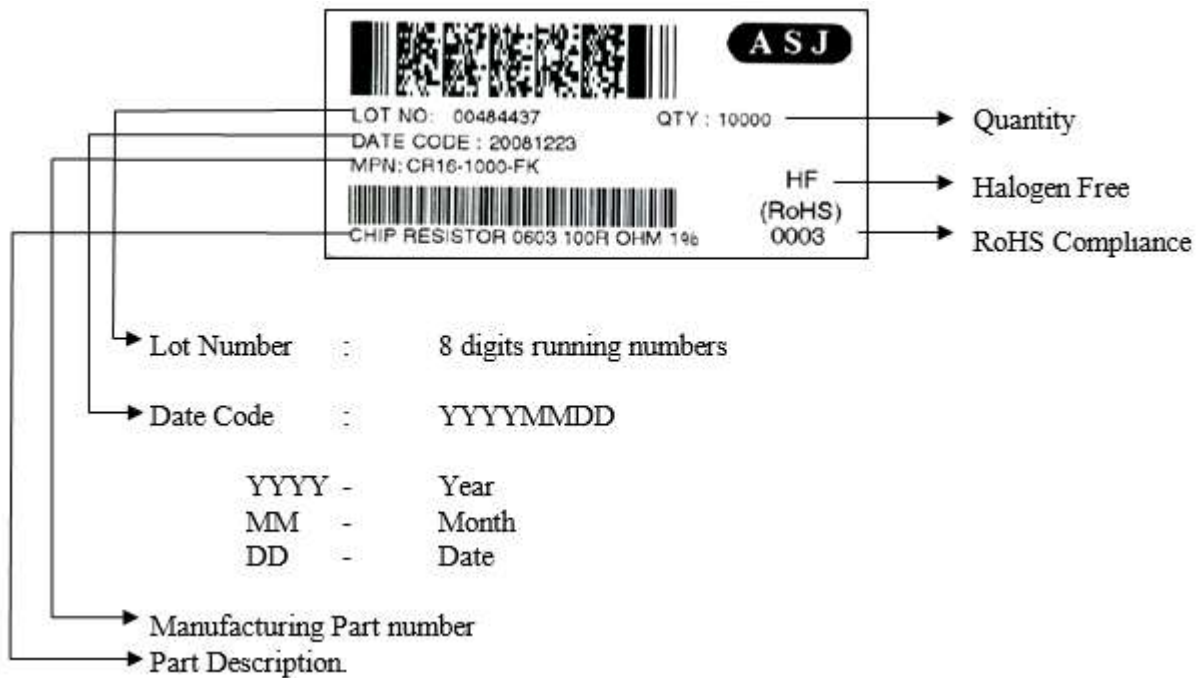
CR Series

DS-ENG-001

Page: 17 of 20

7.3.3 Identification

Production label that indicates the 8 digits lot number, product type, resistance value and tolerance shall be pasted on the surface of each reel.



7.3.4 Packaging Reel Box

Dimension	Reel Box	Number of Reels
185 × 60 × 186 mm	25K Box	5
185 × 120 × 186 mm	50K Box	10



Product Specification

Towards Excellence in Quality, Service & Innovation

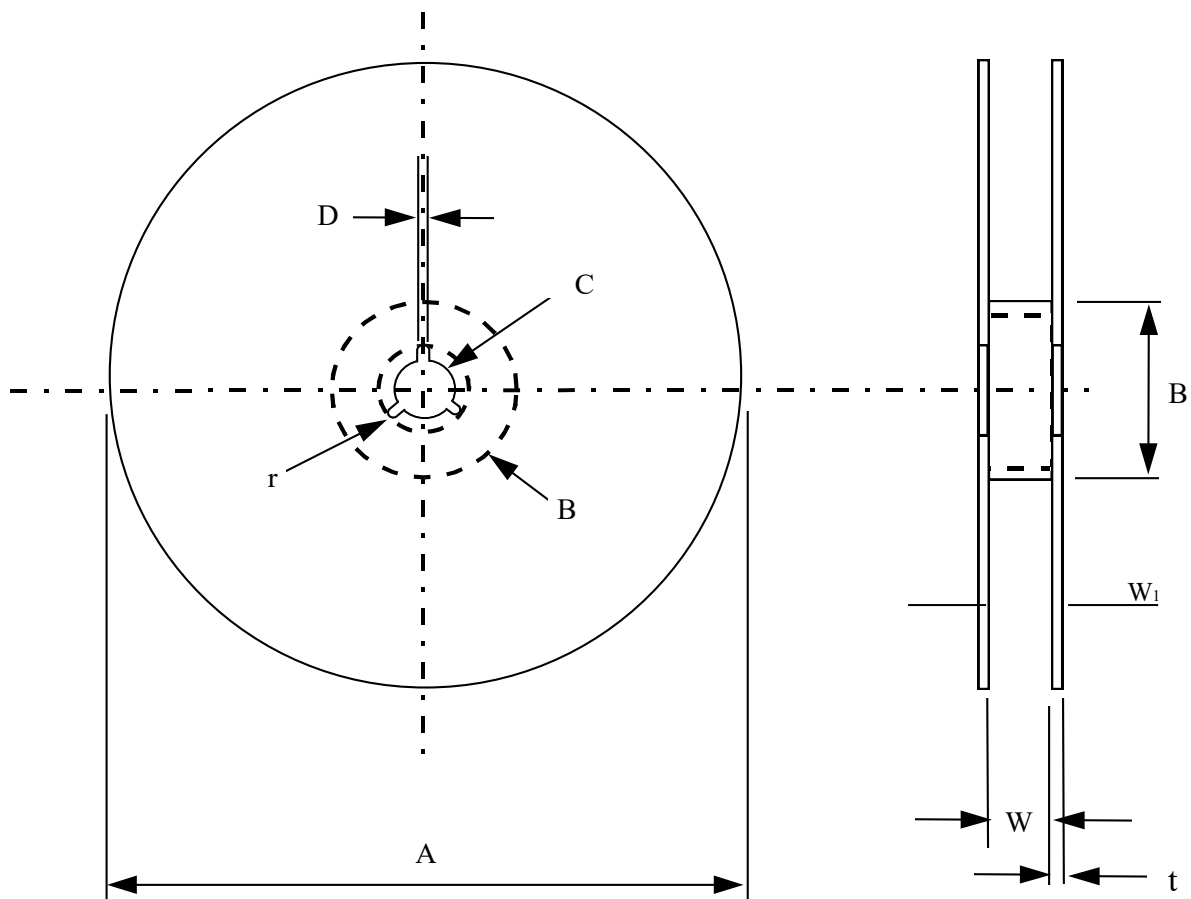
GENERAL PURPOSE THICK FILM CHIP RESISTOR

CR Series

DS-ENG-001

Page: 18 of 20

7.3.5 Reel Dimensions



Model	A	B	C	D	W	W ₁	t	r
7" Reel (5K) (except 0402 10K)	$\phi 178 \pm 2.0$	$\phi 60 \text{ min}$	13 ± 0.2	$\phi 2.0 \pm 0.5$	11 ± 0.1	14.4 max	1.0 ± 0.1	1.0
7" Reel (4K)	$\phi 178 \pm 2.0$	$\phi 60 \text{ min}$	13 ± 0.2	$\phi 2.0 \pm 0.5$	13 ± 1.0	14.4 max	1.2 ± 0.1	1.0
7" Reel (10K)	$\phi 178 \pm 2.0$	$\phi 60 \text{ min}$	13 ± 0.2	$\phi 2.0 \pm 0.5$	11 ± 0.1	14.4 max	1.0 ± 0.1	1.0
10" Reel (10K)	$\phi 254 \pm 2.0$	$\phi 60 \text{ min}$	13 ± 0.2	$\phi 2.0 \pm 0.5$	11 ± 1.0	14.4 max	1.5 ± 0.1	1.0
13" Reel (20K, 50K)	$\phi 330 \pm 2.0$	$\phi 60 \text{ min}$	13 ± 0.2	$\phi 2.0 \pm 0.5$	11 ± 1.0	14.4 max	2.1 ± 0.1	-
13" Reel (20K)	$\phi 330 \pm 1.0$	$\phi 100 \pm 1$	13.5 ± 0.5	$2 \sim 3 \pm 0.5$	10 ± 0.5	-	-	-



Product Specification

Towards Excellence in Quality, Service & Innovation

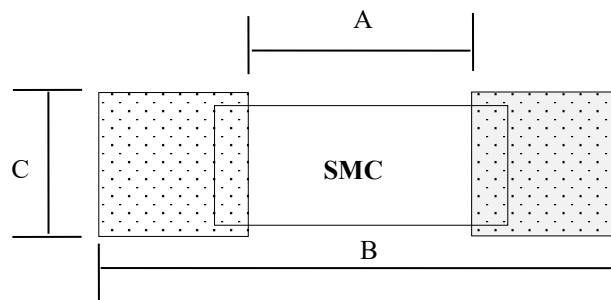
GENERAL PURPOSE THICK FILM CHIP RESISTOR

CR Series

DS-ENG-001

Page: 19 of 20

8. SURFACE MOUNT LAND PATTERNS



Product (Type)	Land Dimension		
	A	B	C
CR10 (0402)	0.020 [0.5]	0.059 [1.5]	0.024 [0.6]
CR16 (0603)	0.031 [0.8]	0.083 [2.1]	0.035 [0.9]
CR21 (0805)	0.047 [1.2]	0.118 [3.0]	0.051 [1.3]
CR32 (1206)	0.087 [2.2]	0.165 [4.2]	0.063 [1.6]

GENERAL PURPOSE THICK FILM CHIP RESISTOR

CR Series

DS-ENG-001

Page: 20 of 20

9. REVISION HISTORY

REVISION	DATE	CHANGE NOTIFICATION	DESCRIPTION
Version.1	13.02.2015		Initial Release
Version.2	19.02.2016	Refer to ECO No. : 001/2016	Change 0201 l1 dimension from 0.15±0.05 mm to 0.10±0.05 mm
Version.3	25.03.2016		Revise clause 6.1.1, typo error, change IR Reflow to Wave Soldering, 6.1.2, change Wave soldering to Reflow Soldering.
Version.4	08.06.2016		Revise clause 7.2.1, change dimension of punch paper carrier system for CR03, 05, 10 Revise clause 7.2.2, change dimension of punch paper carrier system for CR16, CR21, CR32, CR40, CR50, CR63
Version.5	06.12.2016	Refer to PCN-ECO :01/2016	Update clause 7.3.4, insert 13" reel information
Version.6	06.04.2017		Typo error in clause 5.1 review and update dimension
Version.7	19.05.2017		Insert product 01005 into clause 1.2
Version.8	14.09.2017		Update clause 7.2.1 & 7.2.2 dimension information
Version.9	05.10.2017		Review and update clause 7.3.2 Packaging information
Version.10	29.11.2019	Refer to PCR-004/17	Review clause 6 test condition Revise clause 7.2, update dimension of punch paper tape
Version.11	22.01.2018		Typo Error in clause 2
Version.12	18.09.2018		Revise clause 2 000-5% to 000, Remove 0000-1%
Version.13	27.03.2019		Remove CR03, CR05, CR40, CR50, CR63 product Update clause 3.2 graph Update clause 3.10 table Update clause 4 table Update clause 6 Update clause 7.2.1 & 7.2.2 table Update clause 7.3.2 table Update clause 8 table
Version.14	30.05.2019		Update clause 3.9
Version.15	09.07.2019		Update clause 3.9 & 3.10 Add in clause 6.1.3
Version.16	10.09.2019		Add in clause 5.2, 5.3 construction and material
Version.17	22.05.2020		Revise clause 3.10 TCR table, add 0.1% and 0.5% Revise clause 3.5 Revise clause 6

