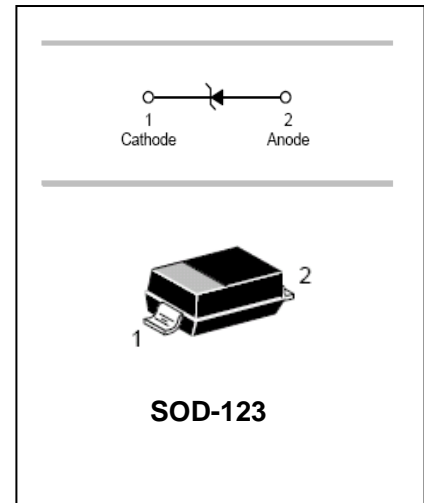


FEATURES

- Planar die construction.
- 500mW power dissipation.
- General purpose, medium current.
- Ideally suited for automated assembly processes.

APPLICATIONS

- Zener diode.
- Ultra-small surface mount package.



ORDERING INFORMATION

Type No.	Marking	Package Code
MMSZ5221B-MMSZ5262B	See table 2	SOD-123

MAXIMUM RATING @ Ta=25°C unless otherwise specified

Characteristic	Symbol	Value	Unit
Forward Voltage @ I _F =10mA	V _F	0.9	V
Power Dissipation	P _d	500	mW
Thermal resistance, junction to ambient air	R _{θjA}	350	°C/W
Junction temperature	T _j	150	°C
Storage temperature range	T _{stg}	-65 to +150	°C

Notes: 1. Device mounted on ceramic PCB; 7.6 mm x 9.4 mm x 0.87 mm with pad areas 25 mm².

2. Tested with pulses, T_p ≤ 1.0ms.

ELECTRICAL CHARACTERISTICS @ Ta=25°C unless otherwise specified

Type Number	Type Code	Zener Voltage Range			Test Current	Maximum Zener Impedance		Maximum Reverse Leakage Current	
		V _z @I _{ZT}			I _{ZT}	Z _{zT} @I _{ZT}	Z _{ZK} @I _{ZK} =0.25mA	I _R	@V _R
		Nom(V)	Min(V)	Max(V)	mA	Ω		μA	V
MMSZ5221B		2.4	2.28	2.52	20	30	1200	100	1.0
MMSZ5223B		2.7	2.57	2.84	20	30	1300	75	1.0
MMSZ5225B		3.0	2.85	3.15	20	30	1600	50	1.0
MMSZ5226B		3.3	3.14	3.47	20	28	1600	25	1.0
MMSZ5227B		3.6	3.42	3.78	20	24	1700	15	1.0
MMSZ5228B		3.9	3.71	4.10	20	23	1900	10	1.0
MMSZ5229B		4.3	4.09	4.52	20	22	2000	5.0	1.0
MMSZ5230B		4.7	4.47	4.94	20	19	1900	5.0	2.0
MMSZ5231B		5.1	4.85	5.36	20	17	1600	5.0	2.0
MMSZ5232B		5.6	5.32	5.88	20	11	1600	5.0	3.0
MMSZ5233B		6.0	5.70	6.30	20	7	1600	5.0	3.5
MMSZ5234B		6.2	5.89	6.51	20	7	1000	5.0	4.0
MMSZ5235B		6.8	6.46	7.14	20	5	750	3.0	5.0
MMSZ5236B		7.5	7.13	7.88	20	6	500	3.0	6.0
MMSZ5237B		8.2	7.79	8.61	20	8	500	3.0	6.5
MMSZ5238B		8.7	8.27	9.14	20	8	600	3.0	6.5
MMSZ5239B		9.1	8.65	9.56	20	10	600	3.0	7.0
MMSZ5240B		10	9.50	10.50	20	17	600	3.0	8.0
MMSZ5241B		11	10.45	11.55	20	22	600	2.0	8.4
MMSZ5242B		12	11.40	12.60	20	30	600	1.0	9.1
MMSZ5243B		13	12.35	13.65	9.5	13	600	0.5	9.9
MMSZ5245B		15	14.25	15.75	8.5	16	600	0.1	11
MMSZ5246B		16	15.20	16.80	7.8	17	600	0.1	12
MMSZ5248B		18	17.10	18.90	7.0	21	600	0.1	14
MMSZ5250B		20	19.00	21.00	6.2	25	600	0.1	15
MMSZ5251B		22	20.90	23.10	5.6	29	600	0.1	17
MMSZ5252B		24	22.80	25.20	5.2	33	600	0.1	18
MMSZ5254B		27	25.65	28.35	5.0	41	600	0.1	21
MMSZ5255B		28	26.60	29.40	4.5	44	600	0.1	21
MMSZ5256B		30	28.50	31.5	4.2	49	600	0.1	23
MMSZ5257B		33	31.35	34.65	3.8	58	700	0.1	25
MMSZ5258B		36	34.20	37.80	3.4	70	700	0.1	27
MMSZ5259B		39	37.05	40.95	3.2	80	800	0.1	30
MMSZ5260B		43	40.85	45.15	3.0	93	900	0.1	33
MMSZ5261B		47	44.65	49.35	2.7	105	1000	0.1	36

Type Number	Zener Voltage Range			Test Current	Maximum Zener Impedance		Maximum Reverse Leakage Current	
	$V_z@I_{ZT}$			I_{ZT}	$Z_{ZT}@I_{ZT}$	$Z_{ZK}@I_{ZK}=0.25mA$	I_R	@ V_R
	Nom(V)	Min(V)	Max(V)	mA	Ω		μA	V
MMSZ5262B	51	48.45	53.55	2.5	125	1100	0.1	39

TYPICAL CHARACTERISTICS @ $T_a=25^\circ C$ unless otherwise specified

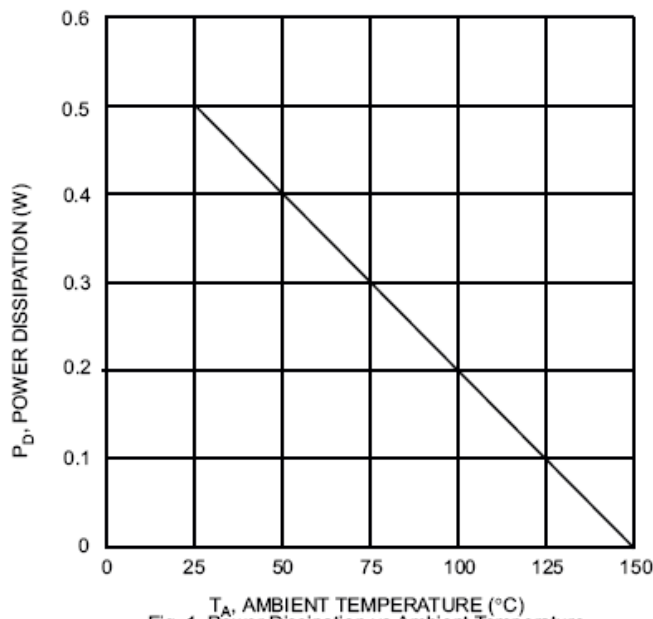
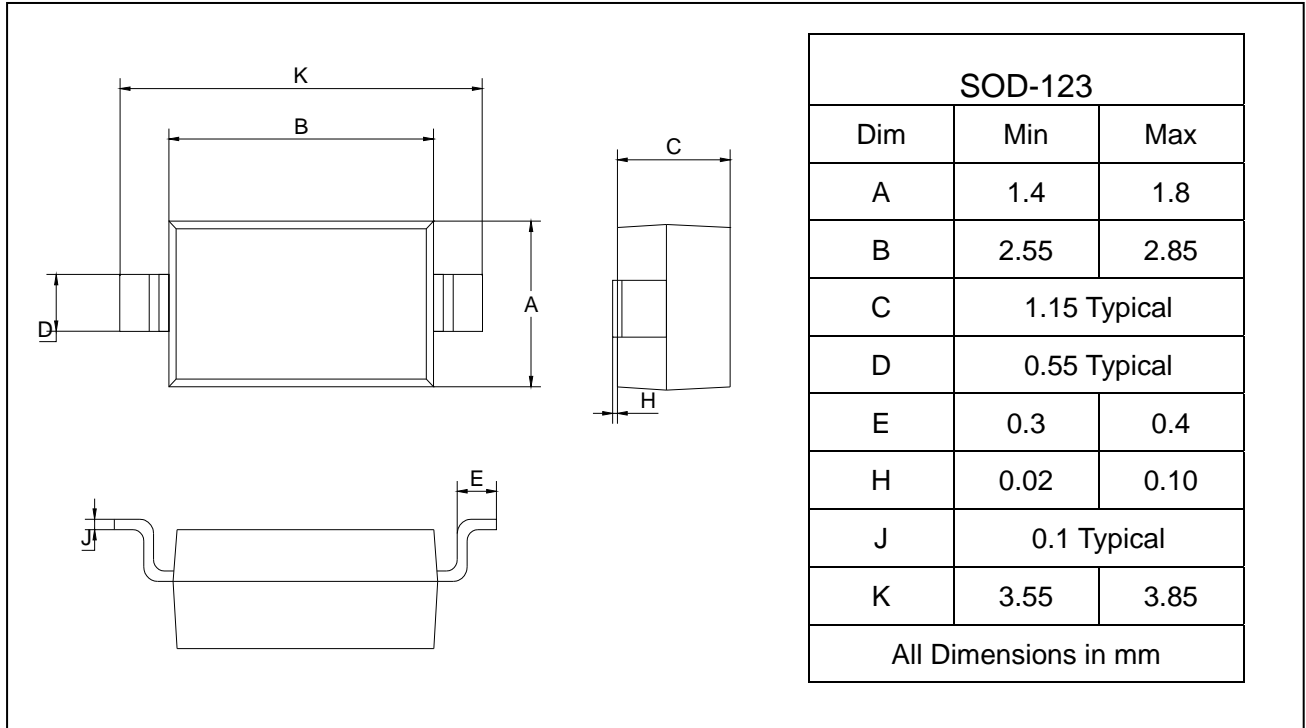


Fig. 1 Power Dissipation vs Ambient Temperature

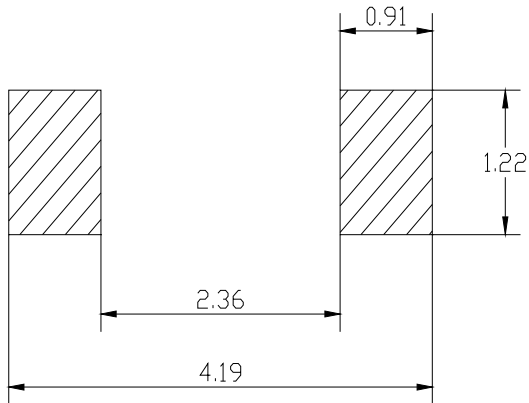
PACKAGE OUTLINE

Plastic surface mounted package

SOD-123



SOLDERING FOOTPRINT



Unit: mm

PACKAGE	SPQ/PCS	CARTON SPQ/PCS	CARTON SIZE/CM	CARTON GW/KG	CARTON NW/KG
SOD-123	3000/REEL	90000	40X20X22	5.00	4.00