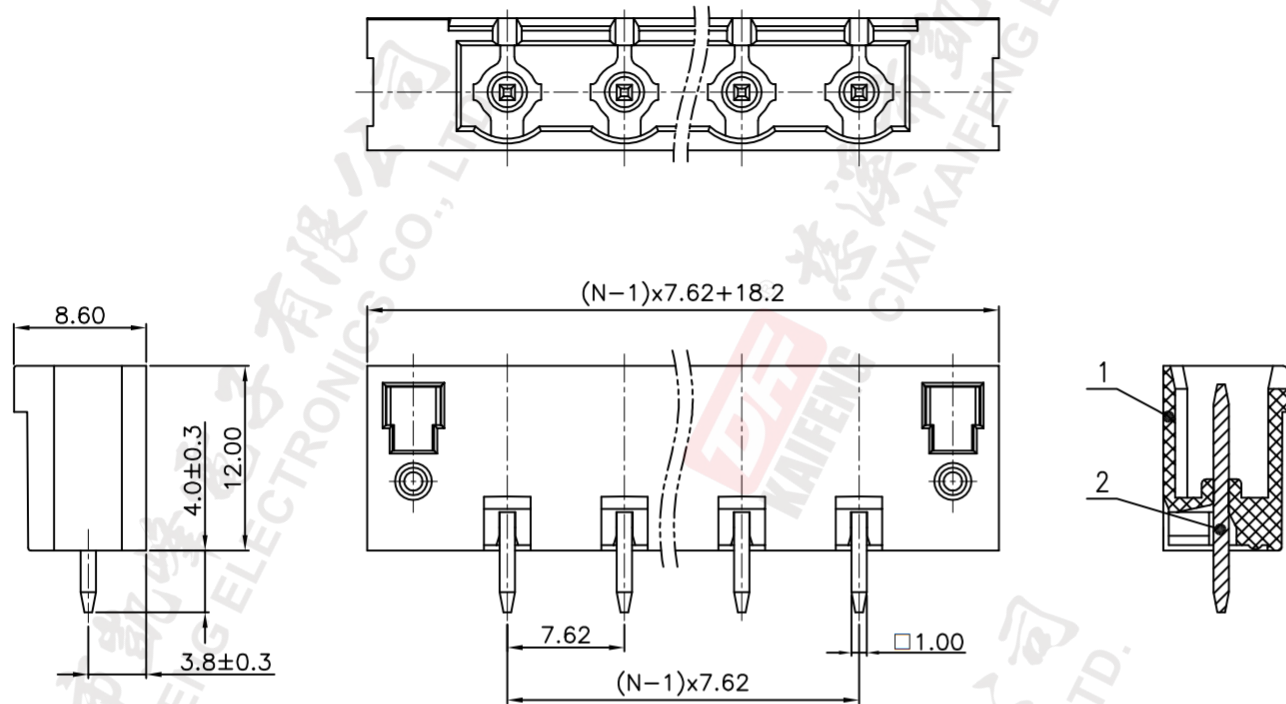
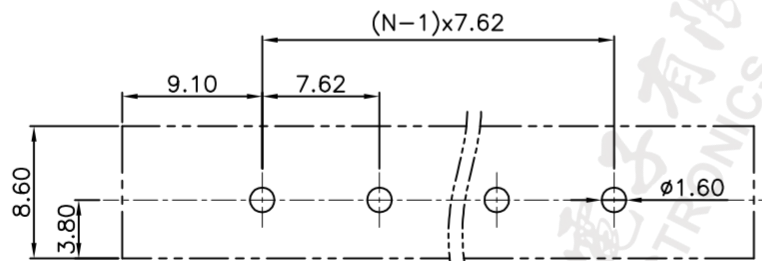


REV.	DESCRIPTION	DATE	DRAFTER	APPROVER
V1.0	DWG.REL	2023.8.28	ZHANG	JIN



- Material
 - ⊙Housing : PA66, UL94V-0
 - ⊙Pin header : Copper alloy, Tin plated
- Electrical

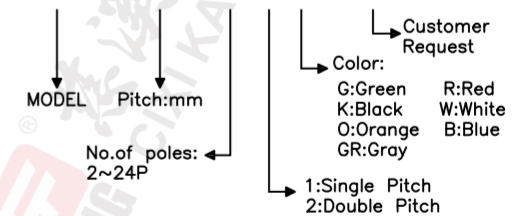
UL	IEC
Rated voltage : 300V	400V
Rated current : 15A	20A
Contact resistance : 20mΩ(Max)	
Insulation resistance: 500MΩ/DC500V	
Withstanding Voltage : AC3000V/1min	
- Mechanical
 - Operating temperature: -40℃~+105℃
 - Soldering temperature: 250℃±5/5sec
- Conform to REACH and RoHS




P.C.B.LAYOUT

HOW TO ORDER

KF2EDGV-X-7.62-XXP-1 X-XXXXX



Pitch range	Nominal dimension range	PROJECTION	TITLE
>0 ~6	>6 ~10	0.1/10	KF2EDGV-X-7.62-XXP-1X-001F
>10 ~24	>30 ~60	UNIT	mm
>30 ~60	>60 ~100	SHEET SIZE	A4
>100 ~150	>150	SERIES	KF2EDGV-X
±0.15 ±0.20	±0.30 ±0.30		
±0.50 ±0.70	±1.00 ±1.30		
±2'			
DRAWING TYPE	CUSTOMER DRAWING	 慈溪市凯峰电子有限公司 CIXI KAIFENG ELECTRONICS CO.,LTD	
SCALE	1:1 SHEET 1/1		
DRAWING NO.	W10005182		